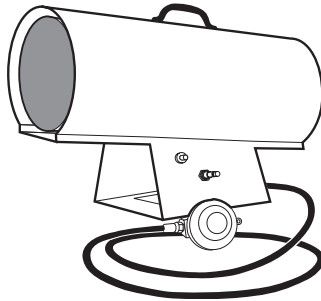


# DESA™

## HEATING PRODUCTS

### PROPANE CONSTRUCTION FORCED AIR HEATER OWNER'S MANUAL



#### 35/40,000 BTU/HR HEATER

**IMPORTANT:** Read and understand this manual before assembling, starting or servicing heater. Improper use of heater can cause serious injury. Keep this manual for future reference.

#### **⚠ GENERAL HAZARD WARNING:**

Failure to comply with the precautions and instructions provided with this heater, can result in death, serious bodily injury and property loss or damage from hazards of fire, explosion, burn, asphyxiation, carbon monoxide poisoning, and/or electrical shock.

Only persons who can understand and follow the instructions should use or service this heater.

If you need assistance or heater information such as an instructions manual, labels, etc. contact the manufacturer.

### TABLE OF CONTENTS


Safety Information .....	2	Maintenance .....	7
Unpacking .....	3	Service Procedures .....	7
Product Identification .....	3	Specifications .....	9
Theory of Operation .....	4	Troubleshooting .....	10
Propane Supply .....	4	Accessories .....	11
Installation .....	4	Technical Services .....	11
Ventilation .....	5	Replacement Parts .....	11
Operation .....	5	Illustrated Parts Breakdown and Parts List .....	12
Storage .....	6	Warranty and Repair Service .....	Back Cover

**Save this manual for future reference.**

**For more information, visit [www.desatech.com](http://www.desatech.com)**

Download from [www.Somanuals.com](http://www.Somanuals.com). All Manuals Search And Download.

## SAFETY INFORMATION

 **WARNING: This product contains and/or generates chemicals known to the State of California to cause cancer or birth defects, or other reproductive harm.**

 **WARNING: Fire, burn, inhalation, and explosion hazard. Keep solid combustibles, such as building materials, paper or cardboard, a safe distance away from the heater as recommended by the instructions. Never use the heater in spaces which do or may contain volatile or airborne combustibles, or products such as gasoline, solvents, paint thinner, dust particles or unknown chemicals.**

 **WARNING: Not for home or recreational vehicle use.**

The heater is designed for use as a construction heater in accordance with ANSI Z83.7•CGA2.14-2000. Other standards govern the use of fuel gases and heating products for specific uses. Your local authority can advise you about these. The primary purpose of construction heaters is to provide temporary heating of buildings under construction, alteration or repair. Properly used, the heater provides safe economical heating. Products of combustion are vented into the area being heated.

We cannot foresee every use which may be made of our heaters. Check with your local fire safety authority if you have questions about heater use.

Other standards govern the use of fuel gases and heat producing products for specific uses. Your local authorities can advise you about these.

**Carbon Monoxide Poisoning:** Some people are more affected by carbon monoxide than others. Early signs of carbon monoxide poisoning resemble the flu, with headaches, dizziness, and/or nausea. If you have these signs, the heater may not be working properly. **Get fresh air at once!** Check for proper ventilation and have heater serviced.

**Propane Gas:** Propane gas is odorless. An odor-making agent is added to propane gas. The odor helps you detect a propane gas leak. However, the odor added to propane gas can fade. Propane gas may be present even though no odor exists.

Make certain you read and understand all warnings. Keep this manual for reference. It is your guide to safe and proper operation of this heater.

1. Install and use heater with care. Follow all local ordinances and codes. In the absence of local ordinances and codes, refer to the *Standard for Storage and Handling of Liquefied Petroleum Gas, ANSI/NFPA 58 and the Propane Gas Installation Code, CAN/CGA B149.2*. This instructs on the safe storage and handling of propane gases.
2. Use only the electrical voltage and frequency specified on model plate. The electrical connections and grounding of the heater shall follow the *National Electric Code, ANSI/NFPA 70 or the Canadian Electrical Code, Part 1*.
3. Electrical grounding instructions — This appliance is equipped with a three-prong (grounding) plug for your protection against shock hazard and should be plugged directly into a properly grounded three-prong receptacle or extension cord.
4. This product has been approved for use in the Commonwealth of Massachusetts.
5. Use only a three-prong, grounded extension cord.
6. Use only the hose and factory preset regulator provided with the heater.
7. Use only propane gas set up for vapor withdrawal.
8. Provide adequate ventilation. Before using heater, provide at least a 1 1/2 square-foot (1400 cm<sup>2</sup>) opening of fresh, outside air.
9. For indoor use only. Do not use heater outdoors.
10. Do not use heater in occupied dwellings or in living or sleeping quarters.
11. Do not use heater in basement or below ground level. Propane gas is heavier than air. If a leak occurs, propane gas will sink to the lowest possible level.
12. Keep appliance area clear and free from combustible materials, gasoline, paint thinner, and other flammable vapors and liquids.
13. Do not use heater in areas with high dust content. Dust is combustible.

# SAFETY INFORMATION

## Continued

14. Minimum heater clearances from combustibles:  
Outlet: 6 Ft. (1.83 m) Sides: 2 Ft. (0.61 m)  
Top: 6 Ft. (1.83 m) Rear: 2 Ft. (0.61 m)
15. Keep heater at least six feet from propane tank(s). Do not point heater at propane tank(s) within 20 feet.
16. Keep propane tank(s) below 100° F (37.8° C).
17. Check heater for damage before each use. Do not use a damaged heater.
18. Check hose before each use of heater. If highly worn or cut, replace with hose specified by manufacturer before using heater.
19. Locate heater on stable and level surface if heater is hot or operating.
20. Not intended for use on finished floors.
21. Never block air inlet (rear) or air outlet (front) of heater.
22. Keep heater away from strong drafts, water spray, rain, or dripping water.
23. Do not leave heater unattended.
24. Keep children and animals away from heater.
25. Never move, handle, or service a hot, operating, or plugged-in heater. Severe burns may result. You must wait 15 minutes after turning heater off.
26. To prevent injury, wear gloves when handling heater.
27. Never attach duct work to front or rear of heater.
28. Do not alter heater. Keep heater in its original state.
29. Do not use heater if altered.
30. Turn off propane supply and unplug heater when not in use.
31. Use only original replacement parts. This heater must use design-specific parts. Do not substitute or use generic parts. Improper replacement parts could cause serious or fatal injuries.

# UNPACKING

1. Remove all packing items applied to heater for shipment. Keep plastic cover caps (attached to inlet connector and hose/regulator assembly) for storage.
2. Remove all items from carton.
3. Check all items for shipping damage. If heater is damaged, promptly inform dealer where you bought heater.

# PRODUCT IDENTIFICATION

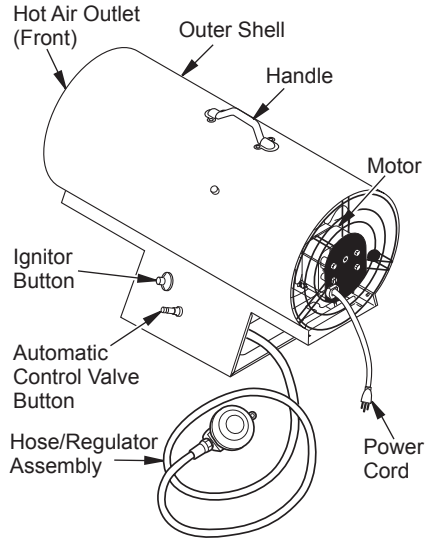


Figure 1 - 35,000 Btu/Hr Model Shown

## THEORY OF OPERATION

**The Fuel System:** The hose/regulator assembly attaches to the propane gas supply. This provides fuel to the heater.

**The Air System:** The motor turns the fan. The fan pushes air into and around the combustion chamber. This air is heated and provides a stream of clean, hot air.

**The Ignition System:** The piezo ignitor lights the burner.

**The Automatic Control System:** This system causes the heater to shut down if the flame goes out.

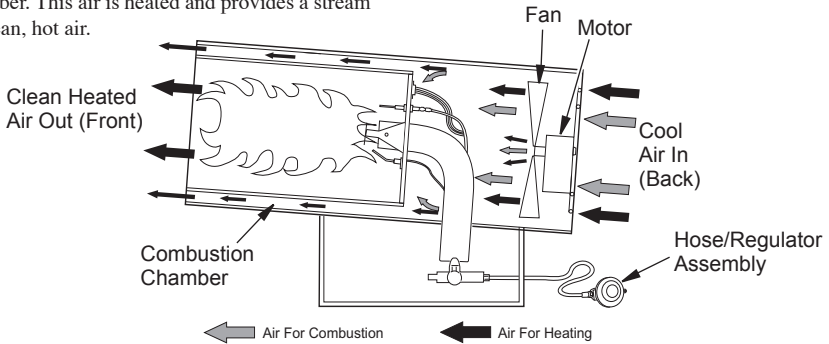


Figure 2 - Cross Section Operational View

## PROPANE SUPPLY

Propane gas and propane tank(s) are to be furnished by the user.

Use this heater only with a propane vapor withdrawal supply system. See Chapter 5 of the *Standard for Storage and Handling of Liquefied Petroleum Gas, ANSI/NFPA 58 and/or CAN/CGA B149.2*. Your local library or fire department will have this booklet.

The amount of propane gas ready for use from propane tanks varies. Two factors decide this amount:

1. The amount of propane gas in tank(s)
2. The temperature of tank(s)

This heater is designed to operate with a minimum 20-pound (9 kg) propane tank. You may need two or more tanks or one larger tank in colder weather. It is recommended you use a 100-pound (45 kg) tank for longer operation. See chart below. Less gas is vaporized at lower temperatures. Your local propane gas dealer will help you select the proper supply system. The minimum surrounding air temperature rating for each heater is  $-0^{\circ}\text{F}$  ( $-18^{\circ}\text{C}$ ).

Average Temp °F (°C)	No. Of Tanks
At Tank Location	100-pound (45 kg)
$0^{\circ}$ ( $-18^{\circ}$ ) to $40^{\circ}$ ( $4^{\circ}$ )	1
Below $0^{\circ}$ ( $-18^{\circ}$ )	2

## INSTALLATION

**WARNING:** Review and understand the warnings in the *Safety Information* section, page 2. They are needed to safely operate this heater. Follow all local codes when using this heater.

**WARNING:** Test all gas piping and connections for leaks after installation or servicing. Never use an open flame to check for a leak. Apply a mixture of liquid soap and water to all joints. Bubbles forming show a leak. Correct all leaks at once.

1. Provide propane supply system (see *Propane Supply*).
2. Connect POL fitting on hose/regulator assembly to propane tank(s). Turn POL fitting counterclockwise into threads on tank. Tighten firmly using wrench. **IMPORTANT:** Position regulator so that hose leaving the regulator is in a horizontal position (see Figure 3, page 5). This places the regulator vent in the proper position to protect it from the weather.

## INSTALLATION

### Continued

3. Connect hose to valve inlet (see Figure 4). Tighten firmly using a wrench.  
**IMPORTANT:** Use extra hose or piping if needed. Install extra hose or piping between hose/regulator assembly and propane tank. You must use the regulator supplied with heater.
4. Open propane supply valve on propane tank(s) slowly. **Note:** If not opened slowly, excess-flow check valve on propane tank will stop gas flow. You may hear a click from the excess-flow check valve closing. If this happens, reset the excess-flow check valve by closing propane supply valve and open again slowly.
5. Check all connections for leaks. Apply mixture of liquid soap and water to gas joints. Bubbles forming show a leak that must be corrected.
6. Close propane supply valve.

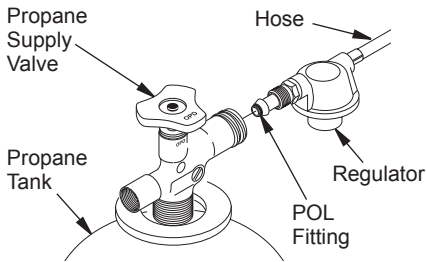


Figure 3 - Regulator Position

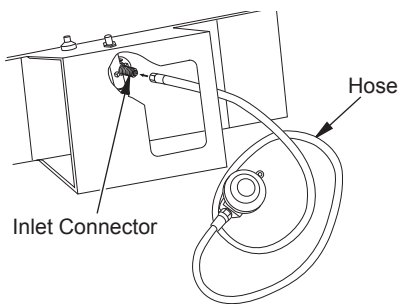


Figure 4 - Hose and Inlet Connector

## VENTILATION

**⚠ WARNING:** Provide at least a 1 1/2 square foot (1400 cm<sup>2</sup>) opening of fresh, outside air while running heater. If proper fresh, outside air ventilation is not provided, carbon monoxide poisoning can occur. Provide proper fresh, outside air ventilation before running heater.

## OPERATION

**⚠ WARNING:** Review and understand the warnings in the *Safety Information* section, page 2. They are needed to safely operate this heater. Follow all local codes when using this heater.

### TO START HEATER

1. Follow all installation, ventilation, and safety information.
2. Locate heater on stable and level surface. Make sure strong drafts do not blow into front or rear of heater.
3. Plug power cord of heater into a three-prong, grounded extension cord. Extension cord must be at least six feet long. Extension cord must be UL listed.

#### Extension Cord Wire Size Requirements

- Up to 50 ft (15.24 m) long, use 18 AWG rated cord.
  - 51 to 100 ft (15.54 to 30.48 m) long, use 16 AWG rated cord.
  - 101 to 200 ft (30.78 to 60.96 m) long, use 14 AWG rated cord.
4. Plug extension cord into a 120 volt/60 hertz, 3-hole, grounded outlet. Motor will start. Fan will turn, forcing air out front of heater.
  5. Open propane supply valve on propane tank(s) slowly. **Note:** If not opened slowly, excess-flow check valve on propane tank will stop gas flow. You may hear a click from the excess-flow check valve closing. If this happens, reset the excess-flow check valve by closing propane supply valve and open again slowly.

## OPERATION

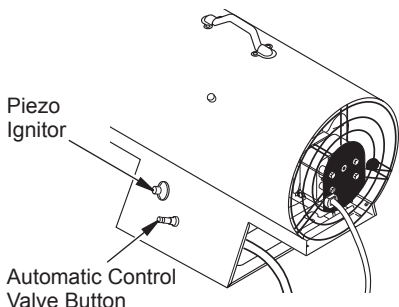
*Continued*

**⚠ WARNING: Be sure motor and fan are running before pushing in automatic control valve button. Flames could flash outside heater if motor and fan are not running.**

6. Push in and hold automatic control valve button (see Figure 5). Push piezo ignitor button (see Figure 5). Keep pushing ignitor button until the burner lights. When burner lights, keep automatic control valve button pushed in. Release button after 30 seconds. This activates the automatic control system.

**Note:** If heater fails to ignite, hose may have air in it. If so, keep automatic control valve button pressed and wait 20 seconds. Release automatic control valve button and wait 20 seconds for unburned fuel to exit heater. Repeat this step.

**NOTICE: If heater is unplugged or power outage occurs while heater is running, the thermal limit device will stop fuel flow. A few seconds occur before the thermal limit device activates. During this short time, flames may appear outside the heater. This is normal. The flames will go out when thermal limit device activates.**



**Figure 5 - Automatic Control Valve Button and Piezo Ignitor**

## TO STOP HEATER

1. Tightly close propane supply valve on propane tank(s).
2. Wait a few seconds. Heater will burn gas left in supply hose.
3. Unplug heater.

## TO RESTART HEATER

1. Wait five minutes after stopping heater.
2. Repeat steps under *To Start Heater*, page 5.

## STORAGE

**⚠ CAUTION: Disconnect heater from propane supply tank(s).**

1. Store propane tank(s) in safe manner. See Chapter 5 of *Standard for Storage and Handling of Liquefied Petroleum Gases, ANSI/NFPA 58*. Follow all local codes. Always store propane tanks outdoors.
2. Place plastic cover caps over brass fittings on inlet connector and hose/regulator assembly.
3. Store in dry, clean, and safe place. Do not store hose/regulator assembly inside heater combustion chamber.
4. When taking heater out of storage, always check inside of heater. Insects and small animals may place foreign objects in heater. Remove motor and other internal parts if needed to remove foreign objects (see *Service Procedures*, page 7).

## MAINTENANCE

### **⚠ WARNINGS**

- **Never service heater while it is plugged in, connected to propane supply, operating, or hot. Severe burns and electrical shock can occur.**
- **Keep heater clear and free from combustible materials, gasoline, and other flammable vapors and liquids.**
- **Do not block the flow of combustion or ventilation air.**

1. Keep heater clean. Clean heater annually or as needed to remove dust and debris. If heater is dirty or dusty, clean heater with a damp cloth. Use household cleaners on difficult spots.
2. Inspect heater before each use. Check connections for leaks. Apply mixture of liquid soap and water to connections. Bubbles forming show a leak. Correct all leaks at once.
3. Inspect hose/regulator assembly before each use. If hose is highly worn or cut, replace with hose specified by manufacturer.
4. Have heater inspected yearly by a qualified service agency.
5. Keep inside of heater free from combustible and foreign objects. Remove motor and other internal parts if needed to clean inside of heater (see *Service Procedures*).
6. Clean fan blades each season or as needed (see *Fan*, page 8).

## SERVICE PROCEDURES

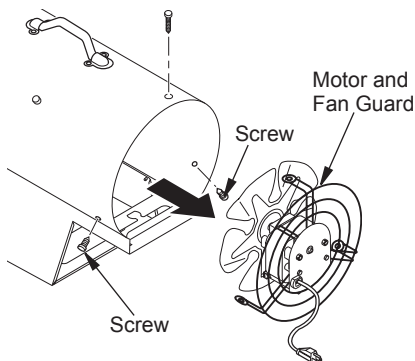
- ⚠ WARNING: Never service heater while it is plugged in, connected to propane supply, operating, or hot. Severe burns and electrical shock can occur.**

## ELECTRICAL SYSTEM

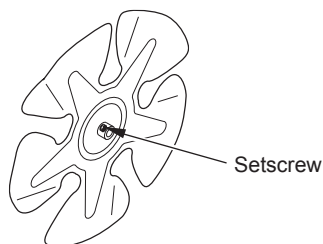
The entire electrical system for this heater is contained within the motor. If any part of the electrical system is damaged, you must replace motor.

## MOTOR

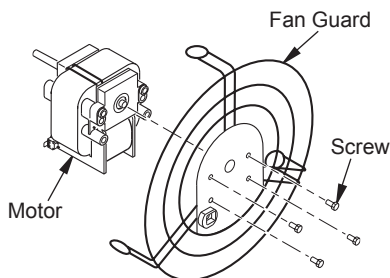
1. Remove three screws that attach fan guard to heater shell.
2. Remove motor and fan guard from heater shell (see Figure 6).
3. Use hex wrench to loosen set screw which holds fan to motor shaft (see Figure 7). Remove fan. Be careful not to damage the fan blade pitch.
4. Remove two nuts and two screws that attach fan guard to motor using nut-driver. Remove fan guard from motor (see Figure 8).



**Figure 6 - Removing Motor and Fan Guard from Heater**



**Figure 7 - Setscrew Location**

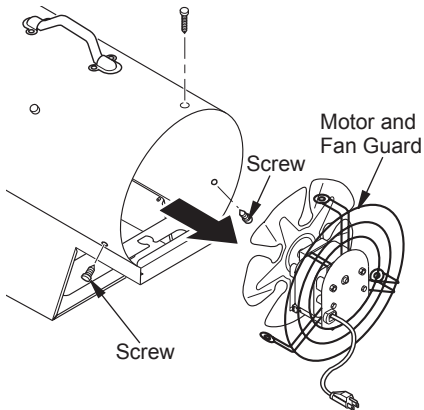


**Figure 8 - Removing or Attaching Fan Guard from Motor**

## SERVICE PROCEDURES

### Continued

5. Disconnect the green power cord wire from motor and remove black and white wire terminals.
6. Discard old motor.
7. Attach green power cord wire to motor.
8. Attach fan guard to new motor with two nuts and two screws.
9. Replace black and white terminals.
10. Place fan onto motor shaft of new motor. Make sure set screw contacts flat surface on motor shaft. Tighten set screw firmly (40-50 inch-pounds [46.08-57.60 kilogram-centimeters]).
11. Place motor and fan guard into rear of heater shell. Make sure power cord is properly located (see Figure 9).
12. Insert three screws through heater shell and into fan guard (see Figure 9). Tighten screws firmly.



**Figure 9 - Replacing Motor and Fan Guard Into Heater**

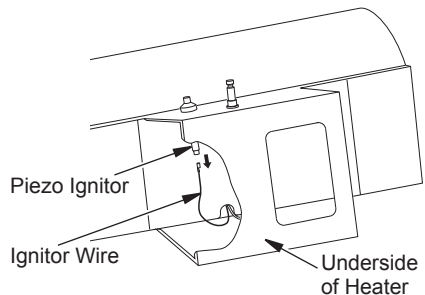
### FAN

1. Remove three screws that attach fan guard to heater shell.
2. Remove motor and fan guard from heater shell (see Figure 6, page 7).
3. Use hex wrench to loosen set screw that holds fan to motor shaft (see Figure 7, page 7).
4. Remove fan. Be careful not to damage the fan blade pitch.
- 5a. If replacing fan, remove old fan and discard. Go to step 7, column 2.
- 5b. If cleaning fan, use soft cloth moistened with kerosene or solvent.

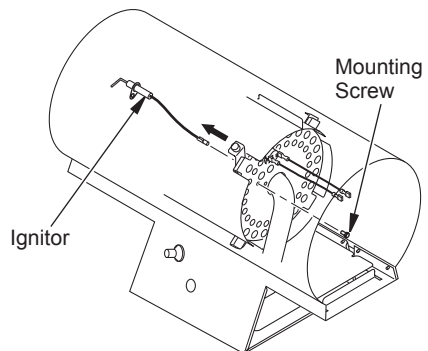
6. Dry fan thoroughly.
7. Place fan onto motor shaft. Make sure set screw contacts flat surface on motor shaft. Tighten set screw firmly (40-50 inch-pounds [46.08-57.60 kilogram-centimeters]).
8. Place motor and fan guard into rear of heater shell. Make sure power cord is properly located (see Figure 9).
9. Insert three screws through heater shell and into fan guard. Tighten screws firmly.

### IGNITOR

1. Remove motor and fan guard from heater (see *Motor*, page 7, steps 1 and 2).
2. Remove black ignitor wire from piezo ignitor. Access ignitor wire through underside of heater base (see Figure 10). Push wire up through notch in filler panel.
3. Remove ignitor mounting screw from rear head using nut-driver or standard screwdriver (see Figure 11).
4. Remove ignitor from rear head.



**Figure 10 - Removing Ignitor Wire from Piezo Ignitor**



**Figure 11 - Removing Ignitor Mounting Screw and Ignitor**



## SERVICE PROCEDURES

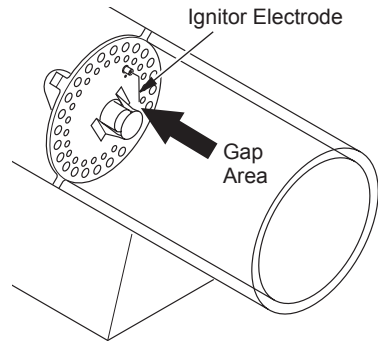
### Continued

5. Install new ignitor. Attach ignitor to rear head with ignitor mounting screw.
6. Run ignitor wire from new ignitor through notch in filler panel. Attach ignitor wire to piezo ignitor.
7. Set gap between ignitor electrode and target plate to .17" (43.18 cm) (see Figure 12).

**⚠ WARNING: Make sure heater is disconnected from propane supply. Heater could ignite causing severe burns.**

8. Test for spark. Push piezo ignitor button and watch for spark between ignitor electrode and target plate.

9. Place motor and fan guard into rear of heater shell (see *Motor*, page 8, steps 9 and 10).




**Figure 12 - Clearance Between Ignitor Electrode and Target Plate**

## SPECIFICATIONS

Output Rating (BTU/Hr)	35,000	40,000
Fuel	Propane Vapor	Propane Vapor
Fuel Consumption		
Gallons (liters)/Hour	.38 (1.44)	.44 (1.65)
Pounds (kg)/Hour	1.62 (0.74)	1.86 (0.84)
Supply Pressure To Regulator		
Minimum (for purposes of input adjustment)	20 psi	20 psi
Maximum	Tank Pressure or 200 psi	Tank Pressure or 200 psi
Regulator Outlet Pressure	10 PSI	10 PSI
Manifold Pressure	10 PSI	10 PSI
Hot Air Output (CFM Approx)	100	100
Motor	3045 RPM, 1/40 HP	3045 RPM, 1/40 HP
Electric Input	120 volt/60 hertz	120 volt/60 hertz
Amperage	.6	.6
Ignition	Manual, Piezo	Manual, Piezo
Temperature Range for Heater Operation	-0° F to 85° F * (-17° C to 29.4° C)*	-0° F to 85° F * (-17° C to 29.4° C)*
Weight		
Heater	14 lbs. (6.35 kg)	14 lbs. (6.35 kg)
Shipping	15.3 lbs. (6.94 kg)	5.3 lbs. (6.94 kg)
Size - L x W x H		
Carton	19.75" x 11.25" x 14" (50.16 x 28.57 x 35.56 cm)	19.75" x 11.25" x 14" (50.16 x 28.57 x 35.56 cm)
Heater	18.5" x 7.7" x 12.8" (46.99 x 19.55 x 32.51 cm)	18.5" x 7.7" x 12.8" (46.99 x 19.55 x 32.51 cm)

\* When running heater in temperatures above 85° F (29.44° C), high internal temperatures may cause thermal limit device to shut down heater.

## TROUBLESHOOTING

** WARNING: Never service heater while it is plugged in, connected to propane supply, operating, or hot. Severe burns and electrical shock can occur.**

OBSERVED FAULT	POSSIBLE CAUSE	REMEDY
Fan does not turn when heater is plugged in	<ol style="list-style-type: none"> <li>1. No electrical power to heater</li> <li>2. Fan hitting inside of heater shell</li> <li>3. Fan blades bent</li> <li>4. Defective motor</li> </ol>	<ol style="list-style-type: none"> <li>1. Check voltage to electrical outlet. If voltage is good, check heater power cord for breaks</li> <li>2. Adjust motor/fan guard to keep fan from hitting inside of heater shell. Bend fan guard if necessary</li> <li>3. Replace fan. See <i>Fan</i>, page 8</li> <li>4. Replace motor. See <i>Motor</i>, page 7</li> </ol>
Heater will not ignite	<ol style="list-style-type: none"> <li>1. User did not follow installation or operation instructions properly</li> <li>2. No spark at ignitor. To test for spark, follow step 8 under <i>Ignitor</i>, page 9. If you see spark at ignitor, have heater serviced by qualified service person. If no spark seen:               <ol style="list-style-type: none"> <li>A) Loose or disconnected ignitor wire</li> <li>B) Wrong spark gap</li> <li>C) Piezo ignitor loose</li> <li>D) Bad ignitor electrode</li> </ol> </li> </ol>	<ol style="list-style-type: none"> <li>1. Repeat installation and operation instructions. See <i>Installation and Operation</i>, page 5</li> <li>2. A) Check ignitor wire. Tighten or reattach loose ignitor wire. See Figure 11, page 8 for ignitor wire location                B) Set gap between ignitor electrode and target plate to .17" (0.43 cm)                C) Tighten nut holding piezo ignitor to base of heater                D) Replace ignitor electrode. See <i>Ignitor</i>, page 8</li> </ol>
Heater shuts down while running	<ol style="list-style-type: none"> <li>1. High surrounding air temperature causing thermal limit device to shut down heater</li> <li>2. Restricted air flow</li> <li>3. Damaged fan</li> <li>4. Excessive dust or debris in surrounding area</li> </ol>	<ol style="list-style-type: none"> <li>1. This can happen when running heater in temperatures above 85°F (29.44° C). Run heater in cooler temperatures</li> <li>2. Check heater inlet and outlet. Remove any obstructions</li> <li>3. Replace fan. See <i>Fan</i>, page 8</li> <li>4. Clean heater. See <i>Maintenance</i>, page 7</li> </ol>

** WARNING: Use only in areas free of high dust content.**

---

## ACCESSORIES

Purchase accessories and parts from your nearest dealer or service center. If they can not supply an accessory or part, either contact your nearest Parts Central (listed in the separate Authorized Service Center booklet) or contact DESA Heating Products for referral information.


**DESA Heating Products**  
**P.O. Box 90004**  
**Bowling Green, KY**  
**42102-9004**  
**1-866-672-6040**

## TECHNICAL SERVICES

You may have further questions about this heater. If so, contact DESA Heating Products' Technical Service Department at 1-866-672-6040. When calling, please have your model and serial numbers of your heater ready.

You can also visit DESA Heating Products' Technical Service web site at [www.desatech.com](http://www.desatech.com).

## REPLACEMENT PARTS

 **WARNING: Use only original replacement parts. This heater must use design-specific parts. Do not substitute or use generic parts. Improper replacement parts could cause serious or fatal injuries. This will also protect your warranty coverage for parts replaced under warranty.**

### PARTS UNDER WARRANTY

Contact authorized dealers of this product. If they can't supply original replacement part(s), either contact your nearest Parts Central or call DESA Heating Products' Technical Service Department at 1-866-672-6040.

When calling DESA Heating Products, have ready

- your name
- your address
- model number of your heater
- how heater was malfunctioning
- purchase date

### PARTS NOT UNDER WARRANTY

Contact authorized dealers of this product. If they can't supply original replacement part(s), either contact your nearest Parts Central (listed in Authorized Service Center booklet) or call DESA Heating Products at 1-866-672-6040 for referral information.

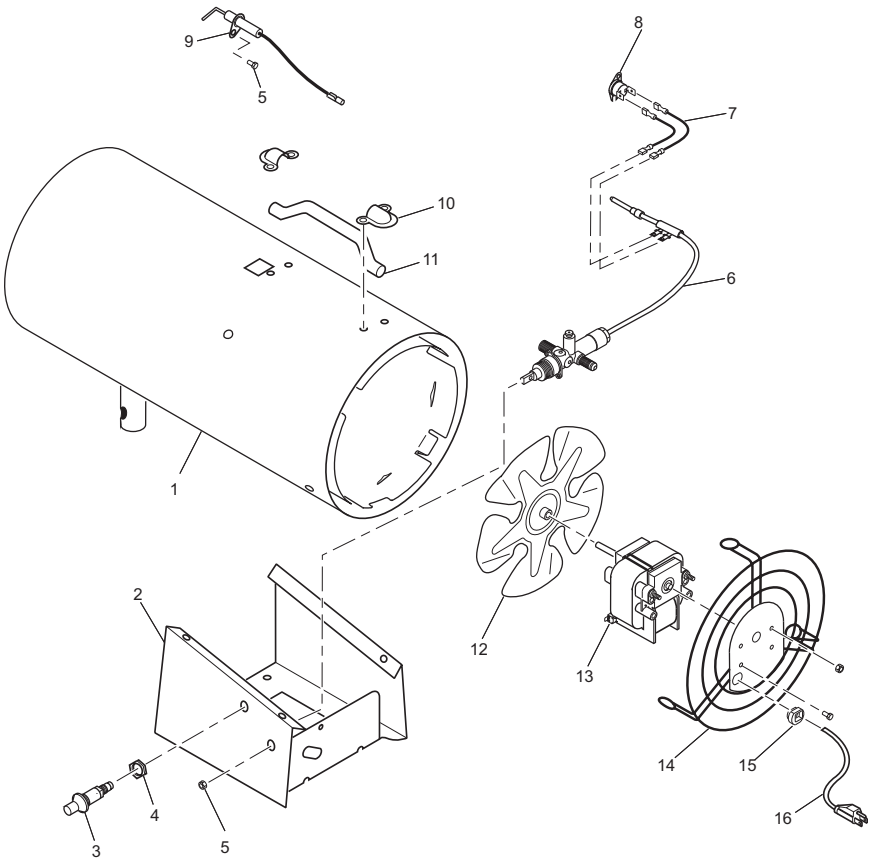
When calling DESA Heating Products, have ready

- model number of your heater
- the replacement part number

# ILLUSTRATED PARTS BREAKDOWN

## MODELS

35-FAC, NLP35A, RLLP35A, SPC-35, AND SPC-40



## PARTS LIST

This list contains replaceable parts used in your heater. When ordering parts, follow the instructions listed under *Replacement Parts* on page 11 of this manual.

KEY NO.	PART NUMBER		DESCRIPTION	QTY.
	35-FAC, NLP35A SPC-35, RLLP35A	SPC-40		
1	113832-01	113832-01	Heater Body Kit (Replacement kit will be unpainted)	1
2	113833-01	113833-01	Control Box Assembly	1
3	102445-01	102445-01	Piezo Ignitor	1
4	102334-01	102334-01	Palnut Fastner	1
5	113852-01	113852-01	Hex Nut, 5-28	1
6	113834-01	113834-02	Valve w/ Thermocouple Assy	1
7	113846-01	113846-01	Wire Assembly	1
8	113848-01	113848-01	Thermal Switch Kit	1
9	113847-01	113847-01	Electrode Ignitor	1
10	097918-01	097918-01	Handle Clip	2
11	097917-01	097917-01	Handle	1
12	113851-01	113851-01	Fan	1
13	113849-01	113849-01	Motor Assembly	1
14	113850-01	113850-01	Fan Guard	1
15	M11143-1	M11143-1	Bushing, Strain Relief	1
16	098219-25	098219-25	Cord, Power Supply	1
<b>PARTS AVAILABLE - NOT SHOWN</b>				
	113835-01	113835-01	Hose/Regulator Assembly	1
	113858-02	—	Tradename Decal (35-FAC)	2
	113858-01	—	Tradename Decal (SPC-35)	2
	113858-04	—	Tradename Decal (NLP35A)	2
	109111-02	—	Tradename Decal (RLLP35A)	2
	113853-01	113853-01	Warning Decal	1
	113854-01	113854-01	Operation Decal	1
	113802-03	113802-04	Model Data Decal	1

\*\* Not a field replaceable part.

# WARRANTY AND REPAIR SERVICE

## KEEP THIS WARRANTY

Model \_\_\_\_\_

Serial No. \_\_\_\_\_

Date of Purchase \_\_\_\_\_

### LIMITED WARRANTY

DESA Heating Products warrants this product and any parts thereof, to be free from defects in materials and workmanship for one (1) year from the date of first purchase when operated and maintained in accordance with instructions. This warranty is extended only to the original retail purchaser, when proof of purchase is provided.

This warranty covers only the cost of parts and labor required to restore the product to proper operating condition. Transportation and incidental costs associated with warranty repairs are not reimbursable under this warranty.

Warranty service is available only through authorized dealers and service centers.

This warranty does not cover defects resulting from misuse, abuse, negligence, accidents, lack of proper maintenance, normal wear, alteration, modification, tampering, contaminated fuels, repair using improper parts, or repair by anyone other than an authorized dealer or service center. Routine maintenance is the responsibility of the owner.

THIS EXPRESS WARRANTY IS GIVEN IN LIEU OF ANY OTHER WARRANTY EITHER EXPRESSED OR IMPLIED, INCLUDING WARRANTIES OF MERCHANTABILITY AND FITNESS FOR A PARTICULAR PURPOSE.

DESA Heating Products assumes no responsibility for indirect, incidental or consequential damages. Some states do not allow the exclusion or limitation of incidental or consequential damages, or limitations or exclusions may not apply to you. This Limited Warranty gives you specific legal rights and you may also have other rights which vary from state to state.

We reserve the right to amend these specifications at any time without notice. The only warranty applicable is our standard written warranty. We make no other warranty, expressed or implied.

### WARRANTY SERVICE

Should your heater require service, return it to your nearest authorized service center. Proof of purchase must be presented with the heater. The heater will be inspected. A defect may be caused by faulty materials or workmanship. If so, DESA Heating Products will repair or replace the heater without charge.

### REPAIR SERVICE

Return your heater to your nearest authorized service center. Repairs not covered by the warranty will be billed at standard prices. Each Service Center is independently owned and operated. We reserve the right to amend these specifications at any time without notice.

When writing for information regarding your heater, be sure to include the model number and serial number as shown on the model plate.

For more information about this warranty, write:

**DESA**<sup>™</sup>  
**HEATING PRODUCTS**

2701 Industrial Drive

P.O. Box 90004

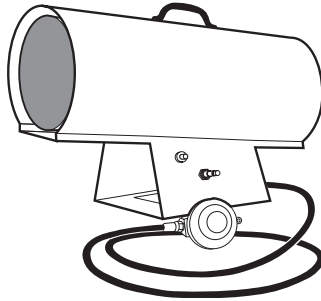
Bowling Green, KY 42102-9004

ATTN: Customer Service Department

# DESA<sup>TM</sup>

## HEATING PRODUCTS

### CALENTADOR DE AIRE FORZADO DE PROPANO PARA CONSTRUCCIÓN MANUAL DEL PROPIETARIO



### CALENTADOR DE 35/40.000 BTU/H

**IMPORTANTE:** Lea y comprenda este manual antes de ensamblar, encender o dar servicio al calentador. El uso inadecuado del calentador puede causar lesiones graves. Conserve este manual para referencias futuras.

#### **⚠ ADVERTENCIA GENERAL DE PELIGRO:**

No cumplir con las precauciones e instrucciones proporcionadas con este calentador puede causar la muerte, lesiones físicas graves y pérdidas o daños a la propiedad debido al peligro de incendio, explosión, quemaduras, asfixia, intoxicación con monóxido de carbono y/o choques eléctricos.

Únicamente las personas que puedan entender y seguir las instrucciones deberán usar o dar servicio a este calentador.

Si necesita ayuda o información sobre el calentador, como manuales de instrucciones, etiquetas, etc., comuníquese con el fabricante.

### TABLA DE CONTENIDO


Información de seguridad .....	2	Mantenimiento .....	7
Desempaque .....	3	Procedimientos de servicio .....	7
Identificación del producto.....	3	Especificaciones.....	9
Teoría del funcionamiento .....	4	Solución de problemas .....	10
Suministro de propano .....	4	Accesorios.....	11
Instalación .....	4	Servicios técnicos.....	11
Ventilación .....	5	Piezas de repuesto.....	11
Funcionamiento .....	5	Clasificación ilustrada de piezas y lista de piezas ....	12
Almacenamiento.....	6	Garantía y servicio de reparación .....	14


**Guarde este manual para futuras referencias.**

**Para obtener mayor información, visite el sitio [www.desatech.com](http://www.desatech.com)**

Download from [www.Somanuals.com](http://www.Somanuals.com). All Manuals Search And Download.

## INFORMACIÓN DE SEGURIDAD

 **ADVERTENCIA:** Este producto contiene y/o genera químicos que el Estado de California reconoce que causan cáncer, defectos de nacimiento u otros daños relacionados con la reproducción.

 **ADVERTENCIA:** Peligro de incendio, quemaduras, inhalación y explosión. Mantenga los combustibles sólidos, como materiales de construcción, papel o cartón a una distancia segura del calentador según se recomienda en las instrucciones. Nunca use el calentador en espacios que contengan o podrían contener combustibles volátiles o transportados por aire o productos como gasolina, solventes, diluyente de pintura, partículas de polvo o químicos desconocidos.

 **ADVERTENCIA:** No usar en residencias ni en vehículos recreativos.

El calentador está diseñado para utilizarse como calentador para construcción de acuerdo con el estándar ANSI Z83.7•CGA.14-2000. Otras normas rigen el uso de gases combustibles y productos de calefacción para usos específicos. La autoridad local puede informarle acerca de éstas. El propósito principal de los calentadores para construcción es proporcionar calefacción temporal a edificios en construcción, modificación o reparación. Cuando se usa correctamente, el calentador proporciona calefacción económica y segura. Los productos de combustión se ventilan al área que se está calentando.

No podemos prever todos los usos que se les pueden dar a nuestros calentadores. Verifique con la autoridad local de seguridad contra incendios si tiene preguntas acerca del uso de calentadores.

Otras normas rigen el uso de gases combustibles y productos que producen calor para usos específicos. Las autoridades locales pueden informarle sobre éstas.

**Intoxicación con monóxido de carbono:** algunas personas sufren mayores efectos del monóxido de carbono que otras. Los primeros signos de intoxicación

con monóxido de carbono se asemejan a los de la gripe, con dolor de cabeza, mareo y/o náusea. Si usted presenta estos síntomas, es posible que el calentador no esté funcionando correctamente. ¡**Respire aire fresco inmediatamente!** Compruebe que haya ventilación adecuada y haga que reparen el calentador.

**Gas propano:** el gas propano es inodoro. Al gas propano se le agrega un agente oloroso. El olor le ayuda a detectar las fugas de gas propano. Sin embargo, el olor que se añade al gas propano puede desvanecerse. Es posible que haya gas propano presente aunque no haya ningún olor.

Asegúrese de leer y comprender todas las advertencias. Conserve este manual para referencia. Es su guía para la operación segura y correcta de este calentador.

1. Instale y use el calentador cuidadosamente. Siga las ordenanzas y los códigos locales. A falta de decretos y códigos locales, consulte la *Norma de almacenamiento y manejo de gas licuado de petróleo, ANSI/NFPA 58 y el Código de instalación de gas propano, CAN/CGA B149.2*. Ésta proporciona instrucciones acerca del almacenamiento y manejo seguro del propano.
2. Use solamente la tensión eléctrica y la frecuencia especificadas en la placa del modelo. Las conexiones eléctricas y de tierra del calentador deberán estar de acuerdo al *Código eléctrico nacional, ANSI/NFPA 70 o al Código eléctrico canadiense, parte 1*.
3. Instrucciones de conexión eléctrica a tierra: este aparato está equipado con un enchufe de tres clavijas (con conexión a tierra) para su protección contra peligros de descargas eléctricas y se debe conectar directamente en un enchufe de pared o cable de extensión de tres orificios.
4. Este producto ha sido aprobado para su uso en el Estado de Massachusetts.
5. Use solamente un cable de extensión con conexión a tierra de tres clavijas.
6. Use sólo la manguera y el regulador preinstalado en la fábrica que se incluyen con el calentador.
7. Use solamente el montaje de gas propano para la extracción de vapores.
8. Proporcione una ventilación adecuada. Antes de usar el calentador, proporcione una abertura de aire fresco del exterior de al menos 1 ½ pies<sup>2</sup> (14 dm<sup>2</sup>).
9. Para uso en interiores solamente. No use el calentador en exteriores.
10. No use el calentador en viviendas ocupadas ni en dormitorios o alojamientos.
11. No use el calentador en un sótano ni debajo del nivel del suelo. El gas propano es más pesado que el aire. Si se produce una fuga, el gas propano se asentará en el nivel más bajo posible.



## INFORMACIÓN DE SEGURIDAD

### Continuación

- Mantenga el área cerca del aparato despejada y libre de materiales combustibles, gasolina, diluyentes para pintura y otros vapores y líquidos inflamables.
- No use el calentador en áreas con un contenido alto de polvo. El polvo es combustible.
- Distancias mínimas de los combustibles:  
Salida: 1,83 m (6 pies) laterales: 0,61 m (2 pies)  
Parte superior: 1,83 m (6 pies) parte posterior: 0,61 m (2 pies)
- Mantenga el calentador alejado de los tanques de propano a una distancia de al menos 1,8 m (6 pies). No apunte el calentador a los tanques de propano a una distancia menor de 6 metros (20 pies).
- Mantenga los tanques de propano por debajo de los 37,8° C (100° F).
- Antes de cada uso, verifique si el calentador ha sufrido algún daño. No use un calentador dañado.
- Revise la manguera antes de cada uso del calentador. Si la manguera está muy desgastada o con roturas, reemplácela con una manguera especificada por el fabricante antes de usar el calentador.
- Sitúe el calentador en una superficie estable y nivelada si el calentador está caliente o si está funcionando.
- No está diseñado para su uso en pisos terminados.
- Nunca bloquee la entrada de aire (parte posterior) ni la salida de aire (parte anterior) del calentador.
- Mantenga el calentador alejado de corrientes fuertes de aire, rocío, lluvia o goteos de agua.
- No deje el calentador desatendido.
- Evite que los niños y los animales se acerquen al calentador.
- Nunca mueva, maneje o repare un calentador en funcionamiento, caliente, o conectado. Pueden producirse quemaduras graves. Debe esperar 15 minutos después de apagar el calentador.
- Para evitar lesiones, use guantes cuando manipule el calentador.
- Nunca conecte conductos a la parte anterior o posterior del calentador.
- No altere el calentador. Mantenga el calentador en su estado original.
- No use el calentador si éste ha sido alterado.
- Cierre el suministro de propano al calentador y desconéctelo cuando no se esté usando.
- Use sólo piezas de repuesto originales. Este calentador debe usar piezas diseñadas específicamente. No las sustituya ni use piezas genéricas. El uso de piezas de repuesto inadecuadas puede ocasionar lesiones graves o fatales.

## DESEMPAQUE

- Retire todos los elementos de empaque aplicados al calentador para su envío. Mantenga los tapones de plástico (fijados al ensamblaje de manguera-regulador y al conector de entrada) puestos cuando se guarde.
- Saque todos los elementos de la caja.
- Revise todos los elementos para ver si hay daños debidos al transporte. Si el calentador está dañado, informe de inmediato al distribuidor a quien lo compró.

## IDENTIFICACIÓN DEL PRODUCTO

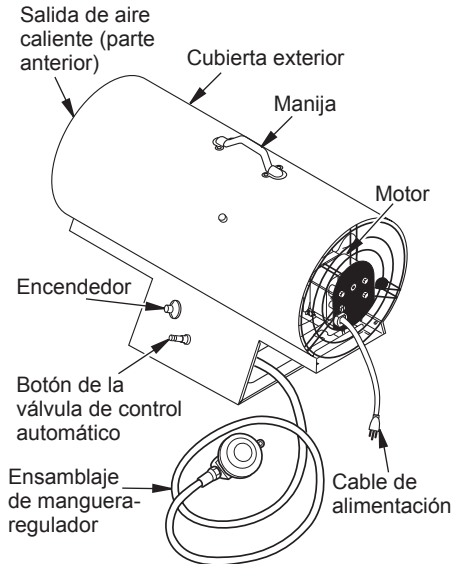


Figura 1. Se muestra el modelo de 35.000 BTU/h

## TEORÍA DEL FUNCIONAMIENTO

**El sistema de combustible:** el ensamblaje de manguera-regulador se fija al suministro de gas propano. Esto proporciona combustible al calentador.

**El sistema de aire:** el motor hace girar el ventilador. El ventilador empuja aire al interior y alrededor de la cámara de combustión. este aire se calienta y proporciona una corriente de aire limpio y caliente.

**El sistema de encendido:** el encendedor piezoeléctrico enciende el quemador.

**El sistema de control automático:** este sistema ocasiona que el calentador se apague si se extingue la llama.

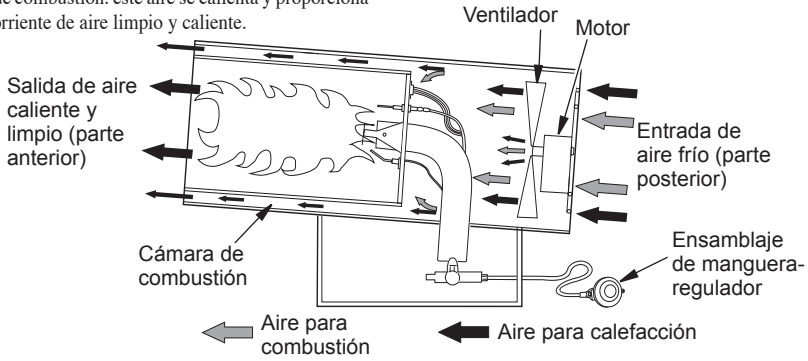


Figura 2. Vista lateral de operación

## SUMINISTRO DE PROPANO

El gas propano y el (los) tanque(s) de propano los debe aprovisionar el usuario.

Use el calentador solamente con un sistema de suministro con extracción de vapores de propano. Consulte el capítulo 5 de la *Norma de almacenamiento y manejo de gas licuado de petróleo, ANSI/NFPA 58* y/o la *norma CAN/CGA B149.2*. La biblioteca local o el departamento de bomberos debe tener este folleto.

La cantidad de gas propano lista para usarse de los tanques de propano varía. Dos factores determinan esta cantidad:

1. La cantidad de gas propano en el (los) tanque(s)
2. La temperatura del (de los) tanque(s)

Este calentador está diseñado para funcionar con un tanque de al menos 9 kg (20 lb). Es posible que necesite dos o más tanques o un tanque de mayor tamaño durante clima frío. Se recomienda que use un tanque de 45 kg (100 lb) para periodos de funcionamiento más largos. Consulte la tabla a continuación. A temperaturas más bajas se vaporiza menos gas. El surtidor de gas de su localidad le ayudará a seleccionar el sistema de suministro apropiado. La temperatura mínima del aire circundante de cada calentador es de  $-18^{\circ}\text{C}$  ( $0^{\circ}\text{F}$ ).

Temperatura promedio $^{\circ}\text{C}$ ( $^{\circ}\text{F}$ ) en la ubicación del tanque	Núm. de tanques 45 kg (100 libras)
$-18^{\circ}(0^{\circ})$ a $4^{\circ}(40^{\circ})$	1
Menos de $-18^{\circ}(0^{\circ})$	2

## INSTALACIÓN

**⚠ ADVERTENCIA:** Revise y comprenda las advertencias en la sección *Información de seguridad*, página 2. Son necesarias para hacer funcionar este calentador de manera segura. Siga todas los códigos locales al utilizar este calentador.

**⚠ ADVERTENCIA:** Pruebe todas las tuberías de gas y sus conexiones para saber si hay fugas después de instalar o dar servicio. Nunca use una llama al descubierto para verificar una fuga. Aplique una mezcla de jabón líquido y agua en todas las uniones. La formación de burbujas indicará una fuga. Repare todas las fugas inmediatamente.

1. Proporcione un sistema de suministro de propano (consulte *Suministro de propano*).
2. Conecte el niple de rosca invertida del ensamblaje de manguera-regulador a los tanques de propano. Gire el niple de rosca invertida en sentido contrario al de las manecillas del reloj en la rosca del tanque. Apriete firmemente usando una llave. **IMPORTANTE:** coloque el regulador de manera que la manguera que sale del regulador

## INSTALACIÓN

### Continuación

esté en posición horizontal (consulte la figura 3). Esto coloca la ventila del regulador en la posición correcta para protegerla de la intemperie.

3. Conecte la manguera a la entrada de la válvula (consulte la figura 4). Apriete firmemente usando una llave.

**IMPORTANTE:** use una manguera o tubería adicional si es necesario. Instale la manguera o tubería adicional entre el ensamblaje de manguera-regulador y el tanque de propano. Debe usar el regulador que se incluye con el calentador.

4. Abra lentamente la válvula del suministro de propano en el (los) tanque(s) de propano. **Nota:** si no se abre lentamente, la válvula de exceso de flujo del tanque de propano detendrá el flujo de gas. Es posible que se escuche un chasquido al cerrar la válvula de exceso de flujo. Si esto ocurre, reajuste la válvula de exceso de flujo cerrando la válvula de suministro de propano y vuelva a abrirla lentamente.
5. Revise todas las conexiones en busca de fugas. Aplique una mezcla de jabón líquido y agua a todas las uniones de la línea de gas. La formación de burbujas indica una fuga que se debe corregir.
6. Cierre la válvula del suministro de propano.

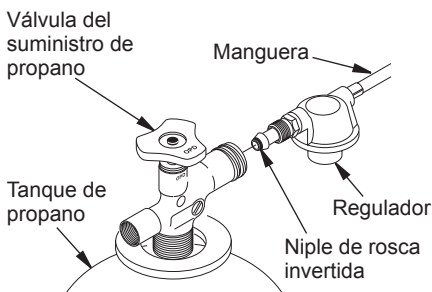


Figura 3. Posición del regulador

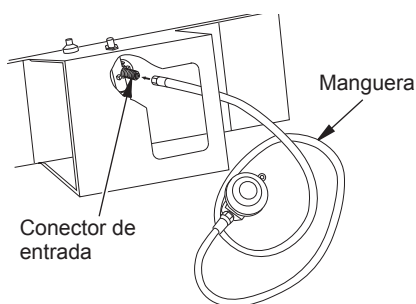


Figura 4. Manguera y conector de entrada

## VENTILACIÓN

**⚠ ADVERTENCIA:** Procure tener al menos una abertura de aire fresco del exterior de 1 1/2 pies cuadrados (14 dm<sup>2</sup>) mientras el calentador está encendido. Si no se procura ventilación de aire fresco del exterior, puede haber una intoxicación con monóxido de carbono. Procure una abertura de aire fresco del exterior antes de encender el calentador.

## FUNCIONAMIENTO

**⚠ ADVERTENCIA:** Revise y comprenda las advertencias en la sección *Información de seguridad*, página 2. Son necesarias para hacer funcionar este calentador de manera segura. Siga todos los códigos locales al utilizar este calentador.

### PARA ENCENDER EL CALENTADOR

1. Siga toda la información de instalación, ventilación y seguridad.
2. Sitúe el calentador sobre una superficie estable y nivelada. Asegúrese de que no haya corrientes fuertes de aire entrando en la parte anterior o posterior del calentador.
3. Conecte el cable de alimentación del calentador a un cable de extensión con conexión a tierra de tres clavijas. El cable de extensión debe tener al menos 1,8 m (6 pies) de longitud. El cable de extensión debe estar aprobado en la lista de UL.  
**Requisitos de medida del cable de extensión**
  - Hasta 15,24 m (50 pies) de largo, use cable de calibre 18 AWG.
  - De 15,54 a 30,48 m (51 a 100 pies) de largo, use cable de calibre 16 AWG.
  - De 30,78 a 60,96 m (101 a 200 pies) de largo, use cable de calibre 14 AWG.
4. Conecte el cable de extensión a un enchufe con conexión a tierra de tres orificios de 120 voltios/60 hercios. El motor arrancará. El ventilador se encenderá, haciendo que el aire salga por la parte anterior del calentador.

## FUNCIONAMIENTO

### Continuación

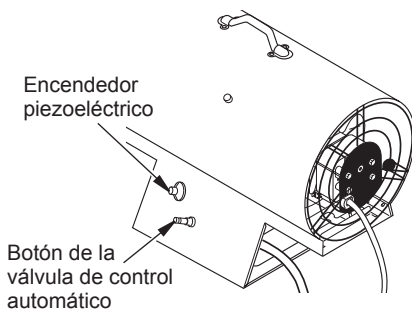
- Abra lentamente la válvula del suministro de propano en el (los) tanque(s) de propano. *Nota:* si no se abre lentamente, la válvula de exceso de flujo del tanque de propano detendrá el flujo de gas. Es posible que se escuche un chasquido al cerrar la válvula de exceso de flujo. Si esto ocurre, reajuste la válvula de exceso de flujo cerrando la válvula de suministro de propano y vuelva a abrirla lentamente.

**⚠ ADVERTENCIA:** Antes de presionar el botón de la válvula de control automático, asegúrese que el motor y el ventilador estén funcionando. Si el motor y el ventilador no están funcionando, pueden salir llamaradas del calentador.

- Presione y mantenga presionado el botón de la válvula de control automático (consulte la figura 5). Presione el botón del encendedor piezoeléctrico (consulte la figura 5). Continúe presionando el botón del encendedor hasta que se encienda el quemador. Cuando el quemador se encienda, mantenga presionado el botón de la válvula de control automático. Suelte el botón después de 30 segundos. Esto activará el sistema de control automático.

*Nota:* si el calentador no se enciende, es posible que la manguera tenga aire en el interior. Si es así, mantenga presionado el botón de la válvula de control automático y espere 20 segundos. Suelte el botón de la válvula de control automático y espere 20 segundos a que salga del calentador el combustible que no se encendió. Repita este paso.

**AVISO:** Si el calentador está desconectado o si se presenta una interrupción de la energía eléctrica mientras el calentador está encendido, el dispositivo límite térmico detendrá el flujo de combustible. Pasarán unos cuantos segundos antes de que se active el dispositivo límite térmico. Durante este breve lapso, es posible que salgan llamaradas del calentador. Esto es normal. Las llamas se extinguirán cuando se active el dispositivo límite térmico.



**Figura 5. Botón de la válvula de control automático y el encendedor piezoeléctrico**

### PARA APAGAR EL CALENTADOR

- Cierre firmemente la válvula del suministro de propano en el (los) tanque(s) de propano.
- Espere unos cuantos segundos. El calentador quemará el gas restante en la manguera de suministro.
- Desenchufe el calentador.

### PARA VOLVER A ENCENDER EL CALENTADOR

- Espere cinco minutos después de detener el calentador.
- Repita los pasos que se describen en *Para encender el calentador*, página 5.

## ALMACENAMIENTO

**⚠ PRECAUCIÓN:** Desconecte el calentador del(de los) tanque(s) de suministro de propano.

- Guarde los tanques de propano de forma segura. Consulte el capítulo 5 de la *Norma de almacenamiento y manejo de gas licuado de petróleo, ANSI/NFPA 58*. Siga todos los códigos locales. Guarde siempre los tanques de propano en el exterior.
- Ponga los tapones de plástico en los nipples de latón en el conector de entrada y el ensamblaje de manguera-regulador.
- Guárdelo en un lugar seco, limpio y seguro. No guarde el ensamblaje de manguera-regulador en el interior de la cámara de combustión del calentador.
- Siempre revise el interior del calentador cuando lo saque del lugar de almacenamiento. Los insectos y animales pequeños pueden haber introducido cuerpos extraños en el calentador. Si es necesario, extraiga el motor y otras piezas internas para sacar los cuerpos extraños (consulte *Procedimientos de servicio*, página 7).

## MANTENIMIENTO



### ADVERTENCIAS

- **Nunca intente reparar un calentador mientras esté enchufado, conectado al suministro de propano, funcionando o caliente. Pueden ocurrir quemaduras graves y choques eléctricos.**
- **Mantenga el calentador limpio y libre de materiales combustibles, gasolina y otros vapores y líquidos inflamables.**
- **No bloquee el flujo de la combustión o de la ventilación.**

1. Mantenga el calentador limpio. Limpie el calentador anualmente o según sea necesario para retirar el polvo y los residuos. Si el calentador está sucio o con polvo, límpielo con un paño húmedo. Utilice limpiadores domésticos en las manchas difíciles.
2. Inspeccione al calentador antes de cada uso. Revise las conexiones en busca de fugas. Aplique una mezcla de jabón líquido y agua en todas las conexiones. La formación de burbujas indicará una fuga. Repare todas las fugas inmediatamente.
3. Inspeccione el ensamblaje de manguera-regulador antes de cada uso. Si la manguera está muy desgastada o con roturas, reemplázela con una manguera especificada por el fabricante.
4. Haga que una agencia de servicio calificada inspeccione el calentador anualmente.
5. Mantenga el interior del calentador libre de combustible y de cuerpos extraños. Si es necesario, extraiga el motor y otras piezas internas para limpiar el interior del calentador (consulte *Procedimientos de servicio*).
6. Limpie las aspas del ventilador cada cambio de estación o según sea necesario (consulte *Ventilador*, página 8).

## PROCEDIMIENTOS DE SERVICIO



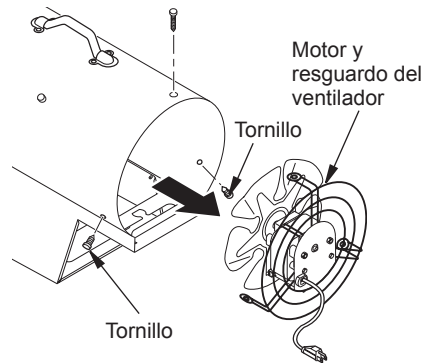
**ADVERTENCIA:** Nunca intente reparar un calentador mientras esté enchufado, conectado al suministro de propano, funcionando o caliente. Pueden ocurrir quemaduras graves y choques eléctricos.

## SISTEMA ELÉCTRICO

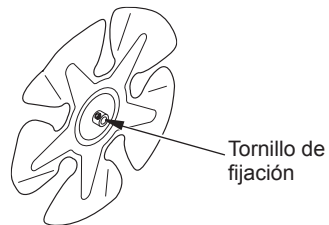
Todo el sistema eléctrico de este calentador está en el interior del motor. Si cualquier parte del sistema eléctrico se daña, deberá reemplazar el motor.

## MOTOR

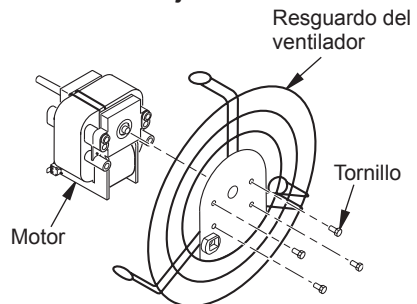
1. Quite los tres tornillos que fijan el resguardo del ventilador a la cubierta del calentador.
2. Extraiga de la cubierta del calentador el motor y el resguardo del ventilador (consulte la figura 6).
3. Use una llave hexagonal para aflojar el tornillo de fijación que sostiene el eje del motor (consulte la figura 7). Retire el ventilador. Tenga cuidado de no dañar la inclinación de las aspas del ventilador.
4. Con un destornillador para tuercas, quite las dos tuercas y los dos tornillos que fijan el resguardo del ventilador al motor. Extraiga del motor el resguardo del ventilador (consulte la figura 8).



**Figura 6. Desmontaje del motor y el resguardo del ventilador del calentador**



**Figura 7. Ubicación del tornillo de fijación**

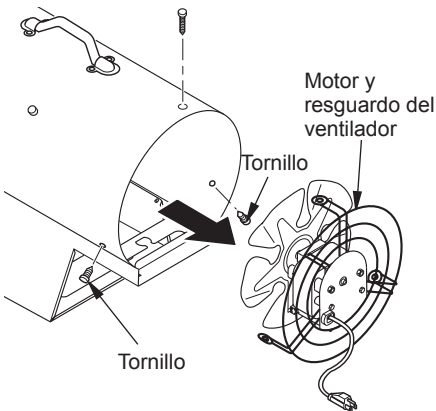


**Figura 8. Desmontaje y montaje del resguardo del ventilador en el motor**

## PROCEDIMIENTOS DE SERVICIO

### Continuación

- Desconecte el cable verde de alimentación del motor y retire las terminales de los cables negro y blanco.
- Deseche el motor usado.
- Fije el cable verde de alimentación al motor.
- Fije el resguardo del ventilador al motor nuevo con dos tuercas y dos tornillos.
- Vuelva a colocar las terminales negra y blanca.
- Coloque el ventilador en el eje del motor nuevo. Asegúrese de que el tornillo de fijación haga contacto con la superficie plana del eje del motor. Apriete el tornillo de fijación firmemente (46,08-57,60 kg-cm [40-50 pulgadas-libra]).
- Coloque el motor y el resguardo del ventilador en la parte posterior de la cubierta del calentador. Asegúrese que el cable de alimentación esté situado correctamente (consulte la figura 9).
- Inserte tres tornillos a través de la cubierta del calentador y hacia el interior del resguardo del ventilador (consulte la figura 9). Apriete los tornillos firmemente.



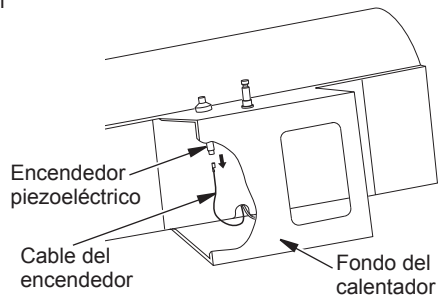
**Figura 9. Reemplazo del motor y el resguardo del ventilador en el calentador VENTILADOR**

- Quite los tres tornillos que fijan el resguardo del ventilador a la cubierta del calentador.
- Extraiga de la cubierta del calentador el motor y el resguardo del ventilador (consulte la figura 6, página 7).
- Use una llave hexagonal para aflojar el tornillo de fijación que sujeta el ventilador al eje del motor (consulte la figura 7, página 7).
- Retire el ventilador. Tenga cuidado de no dañar la inclinación de las aspas del ventilador.
- a. Si va a reemplazar el ventilador, quite el ventilador usado y deséchelo. Vaya al paso 7, columna 2.
- b. Si va a limpiar el ventilador, use un paño suave humedecido con keroseno o solvente.

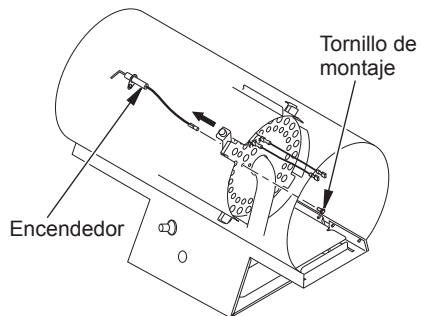
- Seque completamente el ventilador.
- Coloque el ventilador en el eje del motor. Asegúrese de que el tornillo de fijación haga contacto con la superficie plana del eje del motor. Apriete el tornillo de fijación firmemente (46,08-57,60 kg-cm [40-50 pulgadas-libra]).
- Coloque el motor y el resguardo del ventilador en la parte posterior de la cubierta del calentador. Asegúrese que el cable de alimentación esté situado correctamente (consulte la figura 9).
- Inserte los tres tornillos a través de la cubierta del calentador y al interior del resguardo del ventilador. Apriete los tornillos firmemente.

## ENCENDEDOR

- Extraiga del calentador el motor y el resguardo del ventilador (consulte *Motor*, página 7, pasos 1 y 2).
- Quite del encendedor piezoeléctrico el cable negro de encendido. Acceda al cable del encendedor por el fondo de la base del calentador (consulte la figura 10). Empuje el cable hacia arriba y a través de la muesca en el panel de relleno.
- Quite de la cabeza posterior el tornillo de montaje del encendedor utilizando un destornillador para tuercas o un destornillador convencional (consulte la figura 11).
- Saque el encendedor de la cabeza posterior.



**Figura 10. Retiro del cable de encendido del encendedor piezoeléctrico**



**Figura 11. Extracción del tornillo de montaje del encendedor y el encendedor**

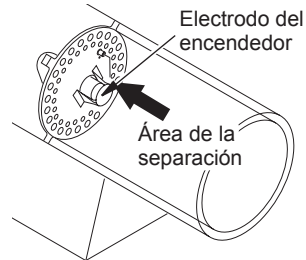
## PROCEDIMIENTOS DE SERVICIO

### Continuación

5. Instale el encendedor nuevo. Fije el encendedor a la cabeza posterior con el tornillo de montaje del encendedor.
6. Pase el cable de encendido del nuevo encendedor a través de la muesca en el panel de relleno. Fije el cable de encendido al encendedor piezoeléctrico.
7. Ajuste la distancia entre el electrodo del encendedor y la placa de fijación a 4,3 mm (0,17 pulgadas) (consulte la figura 12).

**⚠ ADVERTENCIA: Asegúrese que el calentador esté desconectado del suministro de propano. El calentador se podría encender y ocasionar quemaduras graves.**

8. Compruebe que haya chispa. Oprima el botón del encendedor piezoeléctrico y observe si hay chispa entre el electrodo del encendedor y la placa de fijación.
9. Coloque el motor y el resguardo del ventilador en la parte posterior de la cubierta del calentador (consulte *Motor*, página 8, pasos 9 y 10).



**Figura 12. Distancia mínima entre el electrodo del encendedor y la placa de fijación**

## ESPECIFICACIONES

Potencia nominal de salida (BTU/h)	35.000	40.000
Combustible	Vapor de propano	Vapor de propano
Consumo de combustible		
Litros (galones)/hora	1,44 (0,38)	1,65 (0,44)
Kilogramos (libras)/hora	0,74 (1,62)	0,84 (1,86)
Presión del suministro al regulador		
Mínima (para fines de ajuste de entrada)	20 PSI	20 PSI
Máxima	Presión del tanque o 200 PSI	Presión del tanque o 200 PSI
Presión de salida del regulador	10 PSI	10 PSI
Presión en el tubo múltiple	10 PSI	10 PSI
Salida de aire caliente (pies <sup>3</sup> /min aprox.)	100	100
Motor	3045 rpm, 1/40 Hp	3045 rpm, 1/40 Hp
Entrada eléctrica	120 voltios/60 hertzios	120 voltios/60 hertzios
Amperaje	0,6	0,6
Encendido	Manual, piezoeléctrico	Manual, piezoeléctrico
Rango de temperatura para operación del calentador	-17° C a 29,4° C * (-0° F a 85° F)*	-17° C a 29,4° C * (-0° F a 85° F)*
Peso		
Calentador	6,35 kg (14 lb)	6,35 kg (14 lb)
Con embalaje	6,94 kg (15,3 lb)	6,94 kg (15,3 lb)
Tamaño: largo x ancho x altura		
Caja	50,16 x 28,57 x 35,56 cm (19,75 x 11,25 x 14 pulgadas)	50,16 x 28,57 x 35,56 cm (19,75 x 11,25 x 14 pulgadas)
Calentador	47,0 x 19,6 x 32,5 cm (18,5 x 7,7 x 12,8 pulgadas)	47,0 x 19,6 x 32,5 cm (18,5 x 7,7 x 12,8 pulgadas)

\* Cuando se hace funcionar el calentador a temperaturas por encima de los 29,44° C (85° F), las altas temperaturas internas pueden ocasionar que el dispositivo límite término apague el calentador.

## SOLUCIÓN DE PROBLEMAS



**ADVERTENCIA:** nunca intente reparar un calentador mientras esté enchufado, conectado al suministro de propano, funcionando o caliente. Pueden ocurrir quemaduras graves y choques eléctricos.

FALLA OBSERVADA	POSIBLE CAUSA	REMEDIO
El ventilador no enciende cuando el calentador se enchufa	<ol style="list-style-type: none"> <li>1. No llega energía eléctrica al calentador.</li> <li>2. El ventilador golpea la parte interior de la cubierta del calentador</li> <li>3. Las aspas del ventilador están dobladas</li> <li>4. El motor está defectuoso</li> </ol>	<ol style="list-style-type: none"> <li>1. Revise la tensión del enchufe eléctrico. Si la tensión es la correcta, revise que no haya roturas en cable de alimentación del calentador</li> <li>2. Ajuste el motor o resguardo del ventilador de manera que el ventilador no golpee el interior de la cubierta del calentador. Si es necesario, doble el resguardo del ventilador</li> <li>3. Reemplace el ventilador. Consulte <i>Ventilador</i>, página 8</li> <li>4. Reemplace el motor. Consulte <i>Motor</i>, página 7</li> </ol>
El calentador no se enciende	<ol style="list-style-type: none"> <li>1. El usuario no siguió las instrucciones de instalación y operación correctamente</li> <li>2. No hay chispa en el encendedor. Para comprobar que haya chispa, realice el paso 8 en <i>Encendedor</i>, página 9. Si hay chispa en el encendedor, haga que una persona capacitada de servicio repare el calentador. Si no hay chispa:               <ol style="list-style-type: none"> <li>A) El cable del encendedor está suelto o desconectado</li> <li>B) La distancia intermedia es incorrecta</li> <li>C) El encendedor piezoeléctrico está flojo</li> <li>D) El electrodo del encendedor está dañado</li> </ol> </li> </ol>	<ol style="list-style-type: none"> <li>1. Repita las instrucciones de instalación y operación. Consulte <i>Instalación y Funcionamiento</i>, página 5</li> <li>2. A) Revise el cable del encendedor. Apriete o vuelva a fijar el cable flojo del encendedor. Consulte la figura 11, página 8 para ver la ubicación del cable del encendedor B) Ajuste la distancia entre el electrodo del encendedor y la placa de fijación a 0,43 cm (0,17 pulgadas) C) Apriete la tuerca que sujeta el encendedor piezoeléctrico a la base del calentador D) Reemplace el electrodo del encendedor. Consulte <i>Encendedor</i>, página 8</li> </ol>
El calentador se apaga en pleno funcionamiento	<ol style="list-style-type: none"> <li>1. La elevada temperatura del aire circundante ocasiona que el dispositivo límite térmico apague el calentador</li> <li>2. El flujo de aire está restringido</li> <li>3. El ventilador está dañado</li> <li>4. Hay un exceso de polvo o residuos en el área circundante</li> </ol>	<ol style="list-style-type: none"> <li>1. Esto se puede presentar cuando se hace funcionar el calentador a temperaturas superiores a los 29,44° C (85° F). Utilice el calentador a temperaturas más bajas</li> <li>2. Revise la entrada y la salida del calentador. Quite las obstrucciones que haya</li> <li>3. Reemplace el ventilador. Consulte <i>Ventilador</i>, página 8</li> <li>4. Limpie el calentador. Consulte</li> </ol>



**ADVERTENCIA:** Úsese únicamente en áreas que estén libres de un alto contenido de polvo.



## ACCESORIOS

Adquiera accesorios y partes mediante su distribuidor o centro de servicio más cercano. Si estos no pueden proveer un accesorio o pieza, comuníquese con la Central de piezas más cercana (se muestran en una lista por separado en el folleto de Centros de servicio autorizados), o bien, comuníquese con DESA Heating Products para obtener información de referencia.

**DESA Heating Products**  
**P.O. Box 90004**  
**Bowling Green, KY**  
**42102-9004**  
**1-866-672-6040**

## SERVICIOS TÉCNICOS

Es posible que tenga más preguntas acerca de este calentador. Si es así, comuníquese con el Departamento de servicio técnico de DESA Heating Products al 1-866-672-6040. Al llamar, tenga a la mano los números de modelo y serie de su calentador.

También puede visitar el sitio web de servicio técnico de DESA Heating Products en [www.desatech.com](http://www.desatech.com).

## PIEZAS DE REPUESTO

**⚠️ ADVERTENCIA:** Use sólo piezas de repuesto originales. Este calentador debe usar piezas diseñadas específicamente. No las sustituya ni use piezas genéricas. El uso de piezas de repuesto inadecuadas puede ocasionar lesiones graves o fatales. Esto también protegerá la cobertura de su garantía para piezas reemplazadas con garantía.

## PIEZAS CON GARANTÍA

Comuníquese con los distribuidores autorizados de este producto. Si ellos no pueden suministrar piezas de repuesto originales, comuníquese con la Central de piezas más cercana o llame al Departamento de servicios técnicos de DESA Heating Products al 1-866-672-6040.

Cuando llame a DESA Heating Products, tenga listo:

- su nombre
- su dirección
- el número de modelo de su calentador
- la falla del calentador
- la fecha de compra

## PIEZAS SIN GARANTÍA

Comuníquese con los distribuidores autorizados de este producto. Si ellos no pueden suministrar piezas de repuesto originales, comuníquese con la Central de piezas más cercana (listada en el folleto de Centros de servicio autorizados), o bien, llame a DESA Heating Products al 1-866-672-6040 para obtener información de referencia.

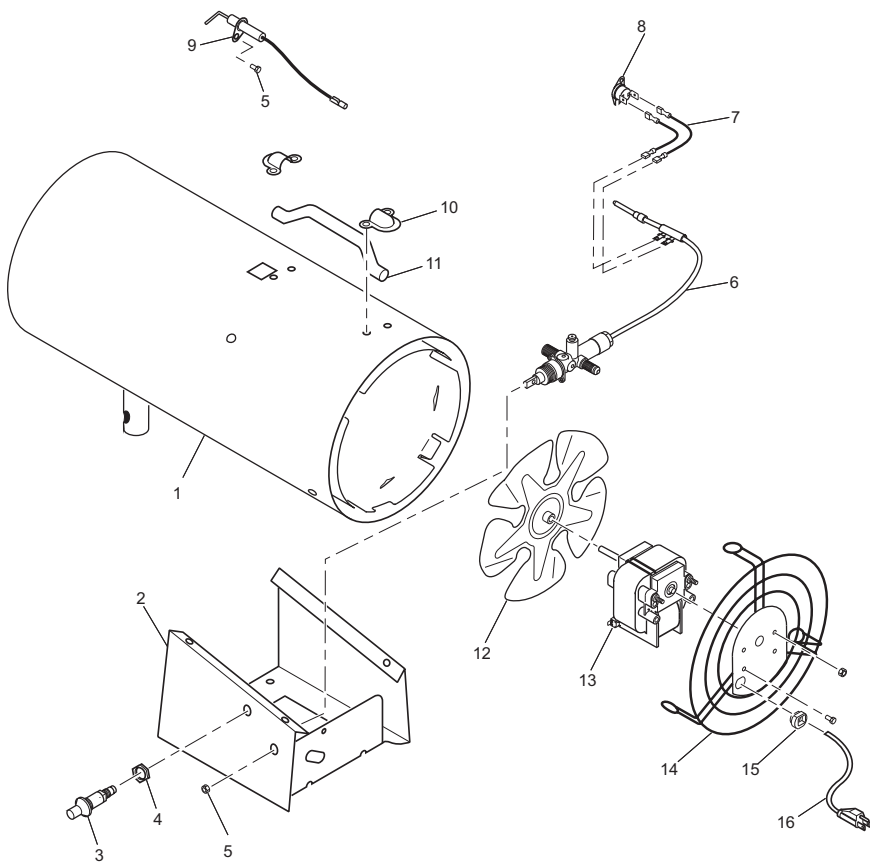
Cuando llame a DESA Heating Products, tenga listo:

- el número de modelo de su calentador
- el número de la pieza de repuesto

# CLASIFICACIÓN ILUSTRADA DE PIEZAS

## MODELOS

35-FAC, NLP35A, RLLP35A, SPC-35, AND SPC-40



## LISTA DE PIEZAS

Esta lista contiene las partes reemplazables utilizadas en el calentador. Al hacer un pedido de piezas, siga las instrucciones listadas en *Piezas de repuesto* en la página 11 de este manual.

NÚM. DE CLAVE	NÚMERO DE PIEZA		DESCRIPCIÓN	CANT.
	35-FAC, NLP35A SPC-35, RLLP35A	SPC-40		
1	113832-01	113832-01	Paquete del cuerpo del calentador (el paquete de repuesto no estará pintado)	1
2	113833-01	113833-01	Ensamblaje de la caja de control	1
3	102445-01	102445-01	Encendedor piezoeléctrico	1
4	102334-01	102334-01	Tuerca plana de ajuste	1
5	113852-01	113852-01	Tuerca hexagonal, 5-28	1
6	113834-01	113834-02	Válvula con ensamblaje de termostato	1
7	113846-01	113846-01	Ensamblaje de cables	1
8	113848-01	113848-01	Paquete de interruptor térmico	1
9	113847-01	113847-01	Encendedor de electrodo	1
10	097918-01	097918-01	Sujetador de la manija	2
11	097917-01	097917-01	Manija	1
12	113851-01	113851-01	Ventilador	1
13	113849-01	113849-01	Ensamblaje del motor	1
14	113850-01	113850-01	Resguardo del ventilador	1
15	M11143-1	M11143-1	Buje, atenuación de deformaciones	1
16	098219-25	098219-25	Cable, suministro de energía	1
<b>PIEZAS DISPONIBLES. (NO SE MUESTRAN)</b>				
	113835-01	113835-01	Ensamblaje de manguera-regulador	1
	113858-02	—	Etiqueta adhesiva de marca (35-FAC)	2
	113858-01	—	Etiqueta adhesiva de marca (SPC-35)	2
	113858-04	—	Etiqueta adhesiva de marca (NLP35A)	2
	109111-02	—	Etiqueta adhesiva de marca (RLLP35A)	2
	113853-01	113853-01	Etiqueta adhesiva de advertencia	1
	113854-01	113854-01	Etiqueta adhesiva de funcionamiento	1
	113802-03	113802-04	Etiqueta adhesiva de datos del modelo	1

\*\* No es una pieza que se pueda reemplazar en el sitio.

# **GARANTÍA Y SERVICIO DE REPARACIÓN**

## **GUARDE ESTA GARANTÍA**

Modelo \_\_\_\_\_

N° de serie \_\_\_\_\_

Fecha de compra \_\_\_\_\_

### **GARANTÍA LIMITADA**

DESA Heating Products (productos de calefacción de DESA) garantiza que este producto y todas sus partes están libres de defectos en los materiales y la mano de obra durante un (1) año a partir de la primera compra, siempre que se hayan operado y mantenido de acuerdo con las instrucciones. Esta garantía se extiende solamente al comprador al por menor, cuando se proporciona una prueba de compra.

Esta garantía sólo cubre el costo de las piezas y de la mano de obra requeridos para restablecer el producto a su condición de operación adecuada. Los costos de transporte e incidentales asociados con reparaciones de garantía no son reembolsables bajo esta garantía.

El servicio de garantía está disponible sólo a través de distribuidores y centros de servicio autorizados.

Esta garantía no cubre defectos ocasionados por mal uso, abuso, negligencia, accidentes, falta de mantenimiento adecuado, desgaste normal, alteración, modificación, manipulación, combustibles contaminados, reparación usando piezas inadecuadas o reparación realizada por cualquiera que no sea un distribuidor o centro de servicio autorizado. El mantenimiento de rutina es responsabilidad del propietario.

**ESTA GARANTÍA EXPRESA SE OTORGA EN LUGAR DE CUALQUIER OTRA GARANTÍA, YA SEA EXPRESA O IMPLÍCITA, INCLUYENDO GARANTÍAS DE APROVECHAMIENTO Y APTITUD PARA UN PROPÓSITO EN PARTICULAR.**

Desa heating products no asume ninguna responsabilidad por daños indirectos, consiguientes o perjuicios. Algunos estados no permiten la exclusión o limitación de daños incidentales o consiguientes, o es posible que las exclusiones no sean aplicables a usted. Esta garantía limitada le otorga derechos legales específicos y usted podrá tener también otros derechos que varían de un estado a otro.

Nos reservamos el derecho de modificar estas especificaciones en cualquier momento sin previo aviso. La única garantía aplicable es nuestra garantía por escrito regular. No otorgamos ninguna otra garantía, expresa o implícita.

### **SERVICIO DE GARANTÍA**

Si su calentador requiere servicio, regréselo al centro de servicio autorizado más cercano. Se debe presentar una prueba de compra con el calentador. El calentador será inspeccionado. Un defecto puede ser ocasionado por materiales o mano de obra defectuosos. Si es así, DESA Heating Products reparará o reemplazará el calentador sin ningún cargo.

### **SERVICIO DE REPARACIÓN**

Devuelva su calentador al centro de servicio autorizado más cercano. Las reparaciones no cubiertas por la garantía se cobrarán a los precios regulares. Cada Centro de servicio tiene un propietario y una operación independientes. Nos reservamos el derecho de modificar estas especificaciones en cualquier momento sin previo aviso.

Al escribir para solicitar información acerca de su calentador, asegúrese de incluir el número de modelo y serie según se muestran en la placa del modelo.

Para obtener más información sobre esta garantía, escriba a:

**DESA**<sup>TM</sup>

**HEATING PRODUCTS**

2701 Industrial Drive

P.O. Box 90004

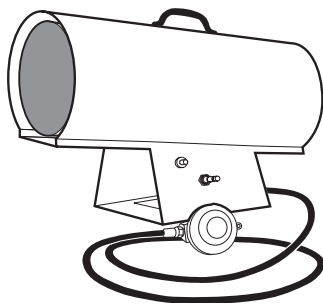
Bowling Green, KY 42102-9004, EE.UU.

ATTN: Customer Service Department

# DESA™

## HEATING PRODUCTS

### APPAREIL DE CHAUFFAGE À AIR FORCÉ AU PROPANE POUR LA CONSTRUCTION GUIDE DU PROPRIÉTAIRE



#### APPAREIL DE CHAUFFAGE DE 35/40 000 BTU/H

**IMPORTANT : Lisez et comprenez ce guide avant d'assembler, d'allumer ou de réparer l'appareil de chauffage. Une mauvaise utilisation de l'appareil de chauffage peut causer des blessures graves. Conservez ce guide pour référence future.**

#### **⚠ AVERTISSEMENT DE RISQUE GÉNÉRAL :**

Tout manquement aux précautions et aux instructions fournies avec cet appareil de chauffage peut causer la mort, des blessures corporelles graves, la perte de biens ainsi que des dommages causés par les risques associés au feu, aux explosions, aux brûlures, à l'asphyxie, à l'empoisonnement par le monoxyde de carbone et aux chocs électriques.

Seuls les individus qui comprennent et qui respectent ces instructions peuvent utiliser ou réparer cet appareil de chauffage.


Si vous avez besoin d'assistance ou de renseignements concernant l'appareil de chauffage tels que le mode d'emploi, les étiquettes, etc., communiquez avec le fabricant.


#### **TABLE DES MATIÈRES**

Informations relatives à la sécurité.....	2	Entretien.....	7
Déballage.....	3	Procédures d'entretien.....	7
Identification du produit.....	3	Spécifications.....	9
Théorie de fonctionnement.....	4	Dépannage.....	10
Alimentation en propane.....	4	Accessoires.....	11
Installation.....	4	Service technique.....	11
Ventilation.....	5	Pièces de rechange.....	11
Fonctionnement.....	5	Vue détaillée de l'appareil et liste des pièces....	12
Entreposage.....	6	Service de garantie et de réparation... Couverture arrière	

**Conservez ce mode d'emploi pour consultation future.  
Pour plus de détails, visitez le site [www.desatech.com](http://www.desatech.com).**

## INFORMATIONS RELATIVES À LA SÉCURITÉ

 **AVERTISSEMENT : Cet appareil contient ou produit des produits chimiques déterminés par l'État de Californie comme cancérigènes et pouvant causer des malformations congénitales et d'autres problèmes reliés à la reproduction.**

 **AVERTISSEMENT : Danger d'incendie, de brûlure, d'inhalation et d'explosion. Garder les produits combustibles solides comme les matériaux de construction, le papier et les cartons, à une distance sécuritaire de l'appareil de chauffage tel que recommandé dans les instructions. Ne jamais utiliser l'appareil de chauffage dans des espaces susceptibles de contenir des combustibles volatils ou atmosphériques, ou des produits tels que de l'essence, des diluants, du solvant à peinture, des particules de poussières ou des produits chimiques inconnus.**

 **AVERTISSEMENT : Non conçu pour usage domestique ou dans les véhicules de camping.**

Cet appareil de chauffage est conçu comme appareil de chauffage pour l'industrie de la construction en conformité avec les normes ANSI Z83.7•CGA2.14-2000. D'autres normes régissent l'utilisation des gaz combustibles et des produits de chauffage pour des utilisations particulières. Les autorités locales peuvent vous conseiller à propos de ces normes. La fonction principale des appareils de chauffage de chantier est la production temporaire de chaleur pour des édifices en construction ou en cours de modification ou de réparation. Utilisés correctement, ces appareils de chauffage représentent une source de chaleur économique et sûre. Les produits de combustion sont évacués dans l'espace qui est chauffé.

Nous ne pouvons pas prévoir toutes les utilisations possibles de nos appareils de chauffage. Vérifiez auprès de votre responsable local de la sécurité-incendie si vous avez des questions relatives à l'utilisation de l'appareil de chauffage.

D'autres normes régissent l'utilisation des gaz combustibles et des produits de chauffage pour des utilisations particulières. Les autorités locales peuvent vous conseiller à propos de ces normes.

**Empoisonnement au monoxyde de carbone :** Certaines personnes sont plus sensibles au monoxyde de carbone que d'autres. Les premiers symptômes d'un empoisonnement au monoxyde de carbone ressemblent à la grippe avec des maux de tête, du vertige ou de la nausée. Si vous avez ces symptômes, il se pourrait que l'appareil de chauffage ne fonctionne pas bien. **Obtenez tout de suite de l'air frais !** Vérifiez si la ventilation est suffisante et faites réparer l'appareil de chauffage.

**Gaz propane :** Le gaz propane est inodore. Un produit odorant est ajouté au gaz propane. Cette odeur vous permet de détecter une fuite de propane. Cependant, cette odeur ajoutée au propane peut se dissiper. Du gaz propane peut être présent même s'il n'y a pas d'odeur. Assurez-vous de lire et de comprendre tous les avertissements. Conservez ce mode d'emploi pour consultation future. Il vous permettra de faire fonctionner cet appareil de chauffage correctement et en toute sécurité.

1. Installez et utilisez l'appareil de chauffage avec précaution. Suivez toutes les lois et les codes locaux. En l'absence de codes ou de règlements locaux, consultez la publication *Norme pour l'entreposage et la manipulation des gaz de pétrole liquéfiés, ANSI/NFPA 58* et le *Code d'installation du gaz propane, CAN/CGA B149.2*. Ces documents décrivent les précautions à prendre pour l'entreposage et la manutention du gaz propane.
2. N'utilisez que le voltage et la fréquence indiqués sur la plaque signalétique de l'appareil. Les branchements électriques et la mise à la terre de l'appareil de chauffage doivent être conformes au *National Electric Code, ANSI/NFPA 70* ou au *Code canadien de l'électricité, section 1*.
3. Instructions de mise à la terre - Cet appareil est doté d'une fiche à trois broches (avec mise à la terre) pour votre protection contre les risques de choc électrique et doit être branché dans une prise triphasée avec mise à la terre efficace ou une rallonge trifilaire.
4. Ce produit a été approuvé pour usage dans le Commonwealth du Massachusetts.
5. N'utilisez qu'une rallonge électrique trifilaire avec mise à la terre.
6. N'utilisez que le tuyau et le régulateur réglé en usine qui ont été fournis avec l'appareil de chauffage.
7. N'utilisez que du gaz propane composé pour le retrait de vapeur.
8. Assurez une ventilation suffisante. Avant d'utiliser l'appareil de chauffage, ayez une entrée d'air frais de l'extérieur d'au moins 1400 cm<sup>2</sup> (1 1/2 pi<sup>2</sup>).
9. Pour usage à l'intérieur seulement. N'utilisez pas l'appareil à l'extérieur.
10. N'utilisez pas l'appareil de chauffage dans un édifice habité ou dans des endroits où l'on vit et dort.

## INFORMATIONS RELATIVES À LA SÉCURITÉ *Suite*

11. N'utilisez pas l'appareil de chauffage dans les sous-sols ou sous le niveau du sol. Le gaz propane est plus lourd que l'air. Si une fuite se manifeste, le gaz propane s'écoulera au niveau le plus bas possible.
12. Ne placez pas de matériaux combustibles, d'essence, de solvant à peinture ou d'autres vapeurs ou liquides inflammables à proximité de l'appareil.
13. N'utilisez pas l'appareil de chauffage là où il y a beaucoup de poussière. La poussière est combustible.
14. Distances minimales entre l'appareil de chauffage et les produits combustibles :  
Sortie : 1,83 m (6 pi) Côtés : 0,61 m (2 pi)  
Dessus : 1,83 m (6 pi) Arrière : 0,61 m (2 pi)
15. Placez l'appareil de chauffage à au moins 1,83 m (6 pi) des bouteilles de propane. Ne dirigez pas la sortie de l'appareil de chauffage à moins de 6,1 m (20 pi) des cylindres de propane.
16. Conservez les bouteilles de propane à moins de 37,8 °C (100 °F).
17. Vérifiez l'appareil de chauffage avant chaque utilisation. N'utilisez pas d'appareil de chauffage endommagé.
18. Avant chaque utilisation de l'appareil de chauffage, vérifiez si le tuyau n'est pas endommagé. S'il est très usé ou fendu, remplacez le tuyau par le type de tuyau spécifié par le fabricant avant d'utiliser l'appareil de chauffage.
19. Placez l'appareil de chauffage sur une surface stable et de niveau si l'appareil est chaud ou en fonctionnement.
20. Non conçu pour utilisation sur des planchers finis.
21. Ne bloquez jamais l'entrée d'air (à l'arrière) ou la sortie d'air (à l'avant) de l'appareil de chauffage.
22. Gardez l'appareil de chauffage à l'abri des forts courants d'air, des éclaboussures ou de l'eau qui s'égoutte.
23. Ne laissez pas l'appareil de chauffage sans surveillance.
24. Ne laissez pas les enfants et les animaux s'approcher de l'appareil de chauffage.
25. Ne jamais déplacer, manipuler ou réparer un appareil de chauffage chaud, en fonctionnement ou branché dans une prise électrique. Vous risqueriez de vous brûler gravement. Attendez 15 minutes après avoir éteint l'appareil de chauffage.
26. Pour ne pas vous blesser, portez des gants lorsque vous manipulez l'appareil de chauffage.
27. N'installez jamais de conduits d'air à l'avant ou à l'arrière de l'appareil de chauffage.
28. Ne modifiez pas l'appareil de chauffage. Maintenez l'appareil de chauffage dans son état initial.
29. N'utilisez pas l'appareil de chauffage s'il a été modifié.

30. Fermez l'alimentation en propane et débranchez l'appareil de chauffage lorsqu'il n'est pas utilisé.
31. Utilisez seulement des pièces de rechange d'origine. Cet appareil de chauffage utilise des pièces conçues spécifiquement pour lui. N'utilisez pas de substituts ou de pièces génériques. L'utilisation de pièces de rechange inadéquates peut causer des blessures graves ou fatales.

## DÉBALLAGE

1. Enlevez le matériau d'emballage appliqué sur l'appareil de chauffage pour son expédition. Conservez les bouchons en plastique (sur le raccord d'entrée et l'assemblage du tuyau et du régulateur) pour l'entreposage.
2. Retirez toutes les pièces de l'emballage.
3. Examinez toutes les pièces pour vérifier si elles ont été endommagées pendant le transport. Si l'appareil de chauffage est endommagé, informez-en au plus vite le revendeur où vous l'avez acheté.

## IDENTIFICATION DU PRODUIT

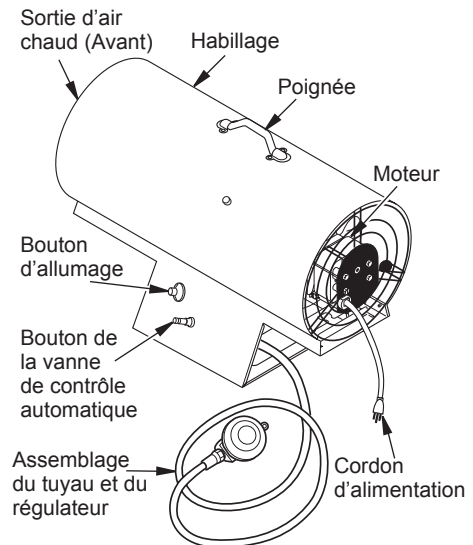


Figure 1 - Modèle 35 000 Btu/h illustré

## THÉORIE DE FONCTIONNEMENT

**Système d'alimentation en carburant :** l'assemblage du tuyau et du régulateur est relié à l'alimentation en gaz propane. Il achemine le combustible à l'appareil de chauffage.

**Système d'admission d'air :** le moteur fait tourner le ventilateur. Le ventilateur pousse l'air à l'intérieur et

autour de la chambre de combustion. L'air est chauffé et fournit un courant d'air propre et chaud.

**Circuit d'allumage :** l'allumeur piézoélectrique allume le brûleur.

**Système de contrôle automatique :** ce système ferme l'appareil de chauffage dès qu'il y a une flamme.

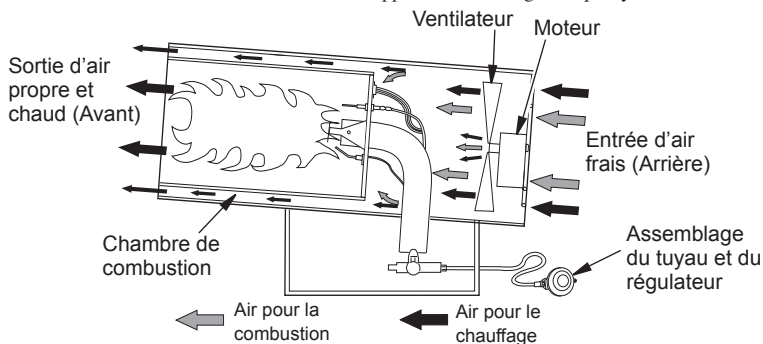


Figure 2 - Vue opérationnelle en coupe transversale

## ALIMENTATION EN PROPANE

Le gaz propane et les réservoirs de propane doivent être fournis par l'utilisateur.

N'utilisez cet appareil de chauffage qu'avec un système d'approvisionnement à élimination de vapeurs de propane. Consultez le chapitre 5 des *Normes pour l'entreposage et la manipulation des gaz liquéfiés, ANSI/NFPA 58 et/ou CAN/CGA B149.2*. Votre bibliothèque ou le service des incendies ont cette publication.

La quantité de gaz propane utilisable dans les réservoirs varie. Deux facteurs influencent cette quantité :

1. La quantité de gaz propane contenue dans les réservoirs
2. La température des réservoirs

Cet appareil de chauffage est conçu pour fonctionner avec un réservoir d'au moins 9 kg (20 lb). Vous pourriez avoir besoin de deux ou de plusieurs réservoirs ou d'un réservoir plus grand par temps froid. Nous recommandons d'utiliser un réservoir de 45 kg (100 lb) pour une utilisation prolongée. Consultez le tableau ci-dessous. Moins de gaz se vaporise à basse température. Votre fournisseur de gaz propane local vous aidera à choisir le système d'alimentation qui convient. La température nominale ambiante minimale de chaque appareil de chauffage est de  $-18^{\circ}\text{C}$  ( $-0^{\circ}\text{F}$ ).

Température moyenne en degrés Celsius (Farhenheit) à l'emplacement du réservoir	Nombre de réservoirs 45 kg (100 lb)
$-18^{\circ}$ ( $0^{\circ}$ ) à $4^{\circ}$ ( $40^{\circ}$ )	1
Sous $-18^{\circ}$ ( $0^{\circ}$ )	2

## INSTALLATION

**⚠ AVERTISSEMENT :** Relisez et comprenez bien les avertissements de la section *Informations relatives à la sécurité*, page 2. Ils sont requis pour faire fonctionner cet appareil de chauffage d'une manière sécuritaire. Respectez tous les codes locaux lors de l'utilisation de cet appareil de chauffage.

**⚠ AVERTISSEMENT :** Vérifiez toutes les conduites de gaz et les connexions pour détecter les fuites après l'installation ou la révision. Ne jamais utiliser de flamme nue pour rechercher une fuite. Appliquez une solution de savon liquide et d'eau sur tous les joints. La présence de bulles indique une fuite. Réparez toutes les fuites immédiatement.

1. Veillez à installer un système d'alimentation en propane (consultez *Alimentation en propane*).
2. Branchez un raccord PHE à l'assemblage de tuyau et de régulateur au réservoir de propane. Vissez le raccord PHE sur les filets du réservoir en tournant dans le sens contraire des aiguilles d'une montre. Resserrez fermement avec une clé.



## INSTALLATION

### Suite

**IMPORTANT :** Positionnez le régulateur pour que le tuyau sortant du régulateur soit à l'horizontale (voir Figure 3, page 5). Ainsi, la prise d'air du régulateur sera protégée des intempéries.

3. Branchez le tuyau à l'entrée de la vanne (voir Figure 4). Resserrez fermement avec une clé.

**IMPORTANT :** Utilisez de la tuyauterie ou une canalisation supplémentaire selon les besoin. Installez la tuyauterie ou la canalisation supplémentaire entre l'assemblage de tuyau et de régulateur et le réservoir de propane. Vous devez utiliser le régulateur fourni avec l'appareil de chauffage.

4. Ouvrez lentement la soupape d'alimentation en propane du ou des réservoirs de propane. *Remarque :* Si on ne l'ouvre pas lentement, la soupape de limitation de débit du réservoir de propane coupera l'arrivée de gaz. Vous pouvez entendre un clic à la fermeture de la soupape de limitation de débit. Si cela se produit, réinitialisez la soupape de limitation de débit en fermant la vanne d'alimentation en propane et ouvrez-la lentement de nouveau.
5. Vérifiez les fuites à chaque branchement. Appliquez une solution de savon liquide et d'eau aux joints servant au gaz. L'apparition de bulles indique la présence d'une fuite qui doit être réparée.
6. Fermez la soupape d'alimentation en propane.

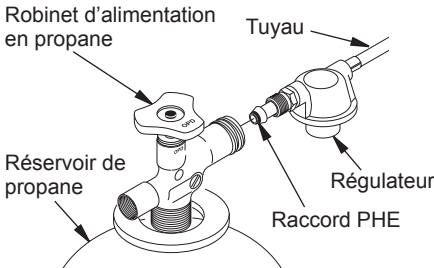


Figure 3 - Position du régulateur

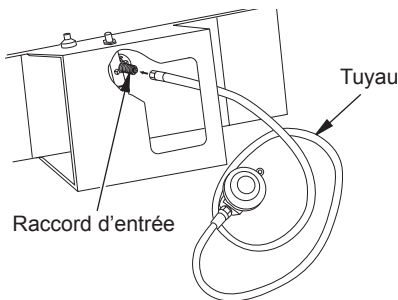


Figure 4 - Branchement du tuyau et du raccord d'entrée

## VENTILATION

**⚠ AVERTISSEMENT :** Ayez une ouverture d'au moins 1 400 cm<sup>2</sup> (1 1/2 pi<sup>2</sup>) permettant l'entrée d'air frais de l'extérieur quand l'appareil de chauffage fonctionne. Si aucune ventilation d'air frais de l'extérieur n'est fournie, un empoisonnement au monoxyde de carbone peut se produire. Disposez d'une entrée d'air frais de l'extérieur adéquate avant d'utiliser l'appareil de chauffage.

## FONCTIONNEMENT

**⚠ AVERTISSEMENT :** Relisez et comprenez bien les avertissements de la section *Informations relatives à la sécurité*, page 2. Ils sont requis pour faire fonctionner cet appareil de chauffage d'une manière sécuritaire. Respectez tous les codes locaux lors de l'utilisation de cet appareil de chauffage.

### POUR DÉMARRER L'APPAREIL DE CHAUFFAGE

1. Suivez toutes les indications sur l'installation, la ventilation et la sécurité.
2. Placez l'appareil de chauffage sur une surface stable et de niveau. Assurez-vous que de forts courants d'air ne soufflent pas sur l'arrière ou l'avant de l'appareil de chauffage.
3. Branchez le cordon électrique de l'appareil de chauffage dans une prise triphasée avec une mise à la terre. La rallonge doit avoir au moins 1,83 m (6 pieds). La rallonge doit être homologuée UL.

#### Calibre requis pour la rallonge

- Jusqu'à 15,24 m (50 pi), utilisez une rallonge de calibre 18 AWG.
  - 15,54 à 30,48 m (51 à 100 pi), utilisez une rallonge de calibre 16 AWG.
  - 30,78 à 60,96 m (101 à 200 pi), utilisez une rallonge de calibre 14 AWG.
4. Branchez la rallonge dans une prise triphasée de 120 volt/60 hertz avec mise à la terre. Le moteur démarrera. Le ventilateur se mettra en marche et poussera l'air à l'avant de l'appareil de chauffage.

## FONCTIONNEMENT

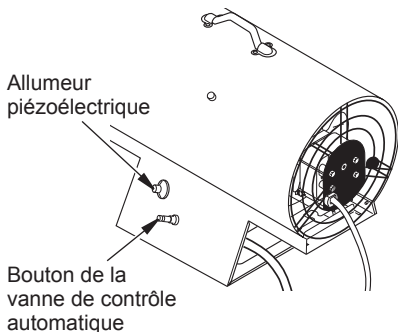
### Suite

- Ouvrez lentement la soupape d'alimentation en propane du ou des réservoirs de propane.  
*Remarque* : Si on ne l'ouvre pas lentement, la soupape de limitation de débit du réservoir de propane coupera l'arrivée de gaz. Vous pouvez entendre un clic à la fermeture de la soupape de limitation de débit. Si cela se produit, réinitialisez la soupape de limitation de débit en fermant la vanne d'alimentation en propane et ouvrez-la lentement de nouveau.

**⚠ AVERTISSEMENT : Assurez-vous que le moteur et le ventilateur fonctionnent avant d'appuyer sur le bouton de la vanne de contrôle automatique. Des flammes pourraient émaner de l'appareil de chauffage si le moteur et le ventilateur ne fonctionnent pas.**

- Enfoncez le bouton de la vanne de contrôle automatique (voir Figure 5). Appuyez sur le bouton d'allumage piézoélectrique (voir Figure 5). Continuez d'appuyer sur le bouton d'allumage jusqu'à ce que l'appareil de chauffage s'allume. Quand l'appareil de chauffage s'allume, gardez enfoncé le bouton de la vanne de contrôle automatique. Relâchez le bouton après 30 secondes. Cela démarre le système de réglage automatique.

*Remarque* : Si l'appareil de chauffage ne s'allume pas, il y a peut-être de l'air dans la tuyauterie. Dans ce cas, gardez enfoncé le bouton de la vanne de contrôle automatique et attendez 20 secondes. Relâchez le bouton de la vanne de contrôle automatique et attendez 20 secondes pour que l'appareil de chauffage se vide du combustible non brûlé. Reprenez cette étape.



**Figure 5 - Bouton de la vanne de contrôle automatique et allumeur piézoélectrique**

**AVIS : Si l'appareil de chauffage est débranché ou s'il y a une panne de courant pendant que l'appareil de chauffage fonctionne, le système de régulation thermique coupera l'alimentation en gaz. Il faut quelques secondes pour que le système de régulation thermique entre en fonction. Pendant cette courte période, des flammes peuvent apparaître à l'extérieur de l'appareil de chauffage. Cela est normal. Les flammes s'éteindront quand le système de régulation thermique entrera en fonction.**

### POUR ARRÊTER L'APPAREIL DE CHAUFFAGE

- Fermez hermétiquement la vanne d'alimentation en propane sur le ou les réservoirs.
- Attendez quelques secondes. L'appareil de chauffage brûlera le gaz qui reste dans la tuyauterie d'alimentation.
- Débranchez l'appareil de chauffage.

### POUR REDÉMARRER L'APPAREIL DE CHAUFFAGE

- Attendez cinq minutes après avoir arrêté l'appareil de chauffage.
- Reprenez les étapes de la section *Pour démarrer l'appareil de chauffage*, page 5.

## ENTREPOSAGE

**⚠ ATTENTION ! Débrancher l'appareil de chauffage des réservoirs de propane.**

- Entreposez les réservoirs de propane d'une manière sécuritaire. Reportez-vous au Chapitre 5 de la *Norme pour l'entreposage et la manipulation des gaz de pétrole liquéfiés, ANSI/NFPA 58*. Respectez les codes locaux. Entreposez toujours les réservoirs de propane à l'extérieur.
- Remplacez les bouchons de plastique sur les raccords en laiton du connecteur d'entrée et de l'assemblage de tuyau et de régulateur.
- Entreposez dans un endroit sec, propre et sécuritaire. N'entreposez pas l'assemblage de tuyau et de régulateur à l'intérieur de la chambre de combustion de l'appareil de chauffage.
- Lorsque vous sortez l'appareil de chauffage de l'entrepôt, vérifiez toujours l'intérieur de l'appareil. Les insectes et petits animaux peuvent y laisser des corps étrangers. Retirez le moteur et autres pièces au besoin pour enlever ces objets (voir *Procédures d'entretien* à la page 7).

## ENTRETIEN



### AVERTISSEMENTS

- Ne réparez jamais l'appareil de chauffage lorsqu'il est branché, connecté à l'alimentation de gaz, en fonction ou brûlant. Des brûlures et des chocs électriques graves peuvent se produire.
- Ne placez pas de matériaux combustibles, d'essence, ou d'autres vapeurs ou liquides inflammables à proximité de l'appareil de chauffage.
- N'obstruez pas l'écoulement de la combustion ou de la ventilation d'air.

1. Gardez l'appareil de chauffage propre. Nettoyez l'appareil de chauffage une fois l'an ou au besoin pour enlever la poussière et les débris. Si l'appareil de chauffage est sale ou empoussiéré, nettoyez-le avec un chiffon humide. Utilisez des produits de nettoyage domestiques là où la saleté persiste.
2. Inspectez l'appareil de chauffage avant chaque utilisation. Vérifiez que les branchements ne fuient pas. Appliquez une solution de savon liquide et d'eau aux raccords. La présence de bulles indique une fuite. Réparez toutes les fuites immédiatement.
3. Inspectez l'assemblage du tuyau et du régulateur avant chaque utilisation. Si le tuyau est très usé ou fendu, remplacez-le par un tuyau spécifié par le fabricant.
4. Faites inspecter l'appareil de chauffage une fois l'an par une agence compétente.
5. Gardez l'intérieur de l'appareil de chauffage libre de combustible et de corps étrangers. Retirez le moteur et autres pièces au besoin pour enlever ces objets (voir *Procédures d'entretien*).
6. Nettoyez les pales du ventilateur à chaque saison ou lorsque nécessaire (voir *Ventilateur*, page 8).

## PROCÉDURES D'ENTRETIEN



**AVERTISSEMENT :** Ne réparez jamais l'appareil de chauffage lorsqu'il est branché, connecté à l'alimentation de gaz, en fonction ou brûlant. Des brûlures et des chocs électriques graves peuvent se produire.

## SYSTÈME ÉLECTRIQUE

Tout le système électrique de cet appareil de chauffage est confiné à l'intérieur du moteur. Si une pièce du système électrique se brise, vous devez remplacer le moteur.

## MOTEUR

1. Retirez les trois vis qui retiennent la grille du ventilateur à l'habitacle de l'appareil de chauffage.
2. Retirez le moteur et la grille du ventilateur de l'habitacle (voir Figure 6).
3. Utilisez une clé hexagonale pour desserrer la vis de calage qui retient le ventilateur à l'arbre du moteur (voir Figure 7). Retirez le ventilateur. Faites attention pour ne pas endommager le pas des pales du ventilateur.
4. Enlevez les deux boulons et les vis qui retiennent la grille du ventilateur au moteur avec un tourne-écrou. Retirez la grille du ventilateur du moteur (voir Figure 8).

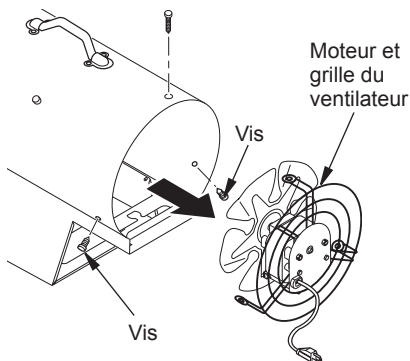


Figure 6 - Enlèvement du moteur et de la grille du ventilateur de l'habitacle

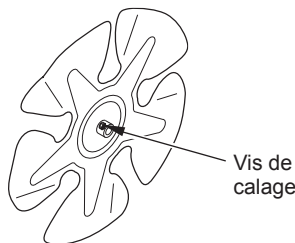


Figure 7 - Emplacement de la vis de calage

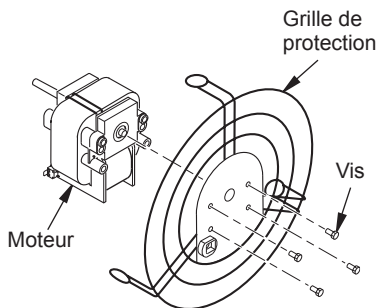
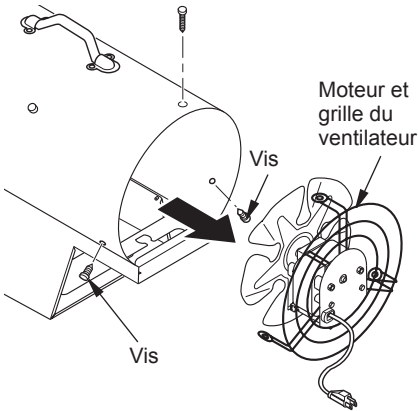


Figure 8 - Enlèvement et pose de la grille du ventilateur du moteur

## PROCÉDURES D'ENTRETIEN

### Suite

- Débranchez le fil vert du cordon du moteur et enlevez les bornes des fils noir et blanc.
- Jetez le moteur défectueux.
- Fixez le fil vert du cordon au moteur.
- Joignez la grille du ventilateur au nouveau moteur avec les deux écrous et les deux vis.
- Remplacez les bornes des fils noir et blanc.
- Placez le ventilateur sur l'arbre du nouveau moteur. Assurez-vous que la vis de calage appuie sur la partie plate de l'arbre du moteur. Serrez à fond la vis de calage (46,08-57,60 kilogrammes-centimètres [40-50 pouces-livres]).
- Remplacez le moteur et la grille du ventilateur à l'arrière de l'habitacle. Assurez-vous que le cordon d'alimentation est placé correctement (voir Figure 9).
- Insérez trois vis dans la grille du ventilateur à travers l'habitacle (voir Figure 9). Serrez les vis à fond.



**Figure 9 - Remplacement du moteur et de la grille du ventilateur dans l'habitacle**

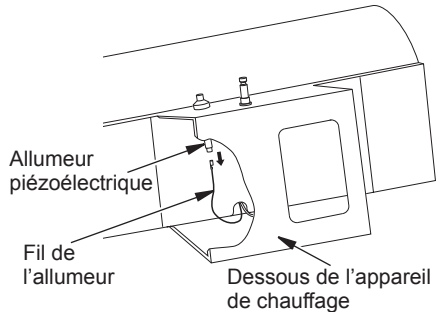
### VENTILATEUR

- Retirez les trois vis qui retiennent la grille du ventilateur à l'habitacle de l'appareil de chauffage.
- Retirez le moteur et la grille du ventilateur de l'habitacle (voir Figure 6, page 7).
- Utilisez une clé hexagonale pour desserrer la vis de calage qui retient le ventilateur à l'arbre du moteur (voir Figure 7, page 7).
- Retirez le ventilateur. Faites attention pour ne pas endommager le pas des pales du ventilateur.
- Si vous remplacez le ventilateur, retirez l'ancien ventilateur et jetez-le. Allez à l'étape 7, colonne 2.
- Si vous nettoyez le ventilateur, utilisez un chiffon imbibé de kérosène ou de solvant.
- Séchez le ventilateur complètement.

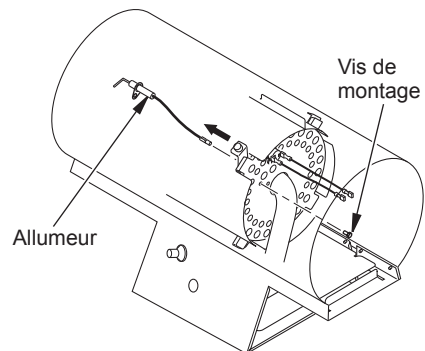
- Placez le ventilateur sur l'arbre du moteur. Assurez-vous que la vis de calage appuie sur la partie plate de l'arbre du moteur. Serrez à fond la vis de calage (46,08-57,60 kilogrammes-centimètres [40-50 pouces-livres]).
- Remplacez le moteur et la grille du ventilateur à l'arrière de l'habitacle. Assurez-vous que le cordon d'alimentation est placé correctement (voir Figure 9).
- Insérez trois vis dans la grille du ventilateur à travers l'habitacle. Serrez les vis à fond.

### ALLUMEUR

- Retirez le moteur et la grille du ventilateur de l'habitacle (voir *Moteur*, page 7, étapes 1 et 2).
- Enlevez le fil d'allumage noir de l'allumeur piézoélectrique. Vous avez accès aux fils de l'allumeur sous la base de l'appareil de chauffage (voir Figure 10). Poussez le fil vers le haut à travers l'encoche dans le panneau de la base.
- Retirez la vis de montage de l'allumeur à l'arrière avec un tourne-écrou ou un tournevis standard (voir Figure 11).
- Retirez l'allumeur par l'arrière de l'appareil.



**Figure 10 - Débranchement du fil d'allumage de l'allumeur piézoélectrique**



**Figure 11 - Enlèvement de la vis de montage de l'allumeur et de l'allumeur**

## PROCÉDURES D'ENTRETIEN

### Suite

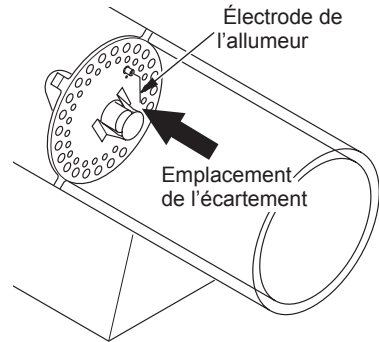
- Installez le nouvel allumeur. Fixez l'allumeur à la partie arrière avec la vis de montage de l'allumeur.
- Passez le cordon du nouvel allumeur dans l'encoche du panneau de la base. Branchez le fil de l'allumeur à l'allumeur piézoélectrique.
- Réglez l'écartement entre l'électrode de l'allumeur et la plaque cible à 43,18 cm (0,17 po) (voir Figure 12).



**AVERTISSEMENT : Assurez-vous que l'appareil de chauffage n'est pas connecté à la conduite de gaz. L'appareil de chauffage pourrait s'enflammer et causer de graves brûlures.**

- Vérifiez s'il se produit une étincelle. Appuyez sur le bouton d'allumage piézoélectrique et surveillez l'étincelle entre l'électrode et la plaque cible.

- Remplacez le moteur et la grille du ventilateur à l'arrière de l'habitacle (voir *Moteur*, page 8, étapes 9 et 10).



**Figure 12 - Écartement entre l'électrode d'allumage et la plaque cible**

## SPÉCIFICATIONS

Puissance de sortie (Btu/h)	35 000	40 000
Carburant	Vapeur de propane	Vapeur de propane
Consommation de carburant		
Litres (gallons)/h	1,44 (0,38)	1,65 (0,44)
Kg (livres)/h	0,74 (1,62)	0,84 (1,86)
Pression d'alimentation au régulateur		
Minimum (aux fins d'ajustement de l'entrée)	20 psi	20 psi
Maximum	Pression du réservoir ou 200 psi	Pression du réservoir ou 200 psi
Pression à la sortie du régulateur	10 psi	10 psi
Pression du collecteur	10 psi	10 psi
Sortie d'air chaud (pi <sup>3</sup> /min approx.)	100	100
Moteur	3045 tr/min, 1/40 HP	3045 tr/min, 1/40 HP
Alimentation électrique	120 volt/60 hertz	120 volt/60 hertz
Intensité de courant	0,6	0,6
Allumage	Manuel, Piézoélectrique	Manuel, Piézoélectrique
Gamme des températures pour le fonctionnement de l'appareil de chauffage	-17° C à 29,4° C* (-0° F à 85° F)*	-17° C à 29,4° C* (-0° F à 85° F)*
Poids		
Appareil de chauffage	6,35 kg (14 lb)	6,35 kg (14 lb)
Expédition	6,94 kg (15,3 lb)	6,94 kg (15,3 lb)
Dimensions - L x P x H		
Boîte	50,16 x 28,57 x 35,56 cm (19,75 po x 11,25 po x 14 po)	50,16 x 28,57 x 35,56 cm (19,75 po x 11,25 po x 14 po)
Appareil de chauffage	46,99 x 19,55 x 32,51 cm (18,5 po x 7,7 po x 12,8 po)	46,99 x 19,55 x 32,51 cm (18,5 po x 7,7 po x 12,8 po)

\* Lorsque l'appareil de chauffage fonctionne à des températures qui dépassent 29,44 °C (85 °F), les températures internes élevées peuvent amener le système de régulation thermique à fermer l'appareil de chauffage.

## DÉPANNAGE



**Avertissement : Ne réparez jamais l'appareil de chauffage lorsqu'il est branché, connecté à l'alimentation de gaz, en fonction ou brûlant. Des brûlures et des chocs électriques graves peuvent se produire.**

PANNE OBSERVÉE	CAUSE POSSIBLE	SOLUTION
Le ventilateur ne fonctionne pas lorsque l'appareil de chauffage est branché	1. L'appareil de chauffage n'est alimenté	1. Vérifiez le voltage de la prise électrique. Si le voltage est correct, vérifiez si le cordon de l'appareil de chauffage est coupé
	2. Le ventilateur est bloqué à l'intérieur de l'habitacle	2. Ajustez la grille du ventilateur/moteur pour éviter que le ventilateur frotte sur les parois de l'habitacle. Pliez la grille si nécessaire
	3. Les pales du ventilateur sont déformées	3. Remplacez le ventilateur. Voir <i>Ventilateur</i> , page 8
	4. Moteur défectueux	4. Remplacez le moteur. Voir <i>Moteur</i> , page 7
L'appareil de chauffage ne s'allume pas	1. L'utilisateur n'a pas suivi correctement les instructions sur l'installation ou le fonctionnement	1. Relisez les instructions sur l'installation et le fonctionnement. Consultez <i>Installation et Fonctionnement</i> , page 5
2. Pas d'étincelle de l'allumeur. Pour vérifier l'étincelle, consultez l'étape 8 sous <i>Allumeur</i> , page 9. Si vous remarquez une étincelle de l'allumeur, faites réparer l'appareil de chauffage par un technicien compétent. Si vous ne voyez pas d'étincelle :	A) Fil de l'allumeur desserré ou déconnecté B) Écartement incorrect de l'électrode C) Allumeur piézoélectrique desserré D) Électrode d'allumeur défectueuse	2. A) Vérifiez le fil de l'allumeur. Resserrez ou rebranchez le fil de l'allumeur. Voir Figure 11, page 8 pour l'emplacement du fil de l'allumeur B) Réglez l'écartement entre l'électrode de l'allumeur et la plaque cible à 0,43 cm (0,17 po) C) Serrez l'écrou qui retient l'allumeur piézoélectrique à la base de l'appareil de chauffage D) Remplacez l'électrode de l'allumeur. Voir <i>Allumeur</i> , page 8
Le ventilateur s'arrête lorsqu'il fonctionne	1. Une température ambiante élevée a amené le système de régulation thermique à fermer l'appareil de chauffage	1. Cela peut arriver lorsque vous faites fonctionner l'appareil de chauffage à des températures dépassant 29,44 °C (85 °F). Utilisez l'appareil de chauffage à des températures moins élevées
	2. Circulation d'air restreinte	2. Vérifiez l'entrée et la sortie de l'appareil de chauffage. Enlevez toute obstruction
	3. Ventilateur endommagé	3. Remplacez le ventilateur. Voir <i>Ventilateur</i> , page 8
	4. Trop de poussière ou de débris autour de l'appareil	4. Nettoyez l'appareil de chauffage. Voir <i>Entretien</i> , page 7



**AVERTISSEMENT : N'utilisez que dans des endroits libres de poussière.**

## ACCESSOIRES

Achetez les accessoires et les pièces chez le revendeur ou au centre de service le plus proche. S'ils ne peuvent vous fournir un accessoire ou une pièce, communiquez avec votre dépôt de pièces le plus près (liste dans la brochure distincte des centres de service autorisés) ou avec DESA Heating Products pour obtenir une référence.


**DESA Heating Products**  
**P.O. Box 90004**  
**Bowling Green, KY, USA**  
**42102-9004**  
**1-866-672-6040**

## SERVICE TECHNIQUE

Vous avez peut-être d'autres questions sur cet appareil de chauffage. Si c'est le cas, communiquez avec le service technique de DESA Heating Products au 1-866-672-6040. Lorsque vous appelez, ayez sous la main les numéros de modèle et de série de votre appareil de chauffage.

Vous pouvez aussi visiter le site Web du service technique de DESA Heating Products à [www.desatech.com](http://www.desatech.com).

## PIÈCES DE RECHANGE

 **AVERTISSEMENT : N'utiliser que des pièces de rechange d'origine DESA. Cet appareil de chauffage utilise des pièces conçues spécifiquement pour lui. Ne pas utiliser de substituts ou de pièces génériques. L'utilisation de pièces de rechange inadéquates peut causer des blessures graves ou fatales. Cela protégera également la garantie des pièces remplacées sous garantie.**

## PIÈCES SOUS GARANTIE

Communiquez avec les revendeurs autorisés de ce produit. S'ils ne peuvent pas vous fournir de pièces de rechange DESA, communiquez avec le dépôt de pièces le plus proche ou appelez le service technique de DESA Heating Products au 1-866-672-6040.

Lorsque vous appelez DESA Heating Products, ayez sous la main :

- votre nom
- votre adresse
- le numéro du modèle de l'appareil de chauffage
- la description du mauvais fonctionnement de l'appareil de chauffage
- la date de l'achat

## PIÈCES QUI NE SONT PAS SOUS GARANTIE

Communiquez avec les revendeurs autorisés de ce produit. S'ils ne peuvent vous fournir de pièces de rechange d'origine, communiquez avec le dépôt de pièces le plus proche (liste dans la brochure distincte des centres de service autorisés) ou appelez DESA Heating Products au 1-866-672-6040 pour obtenir une référence.

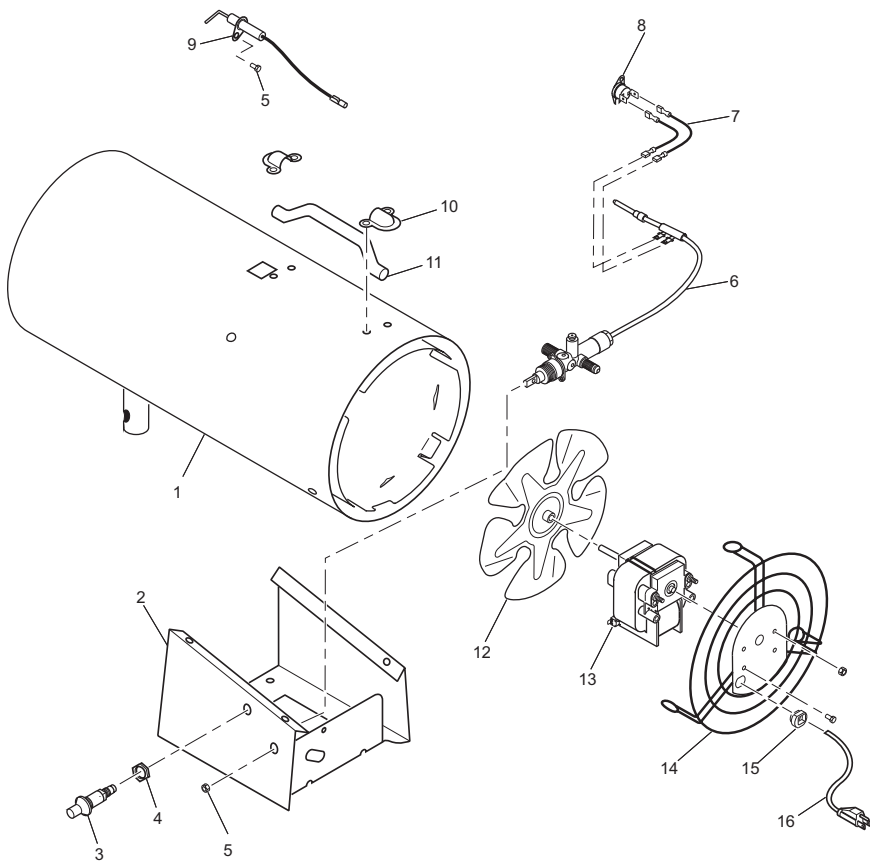
Lorsque vous appelez DESA Heating Products, ayez sous la main :

- le numéro du modèle de l'appareil de chauffage
- Le numéro de la pièce de rechange

# ILLUSTRATION DÉTAILLÉE DES PIÈCES

## MODÈLES

35-FAC, NLP35A, RLLP35A, SPC-35, AND SPC-40





## LISTE DES PIÈCES

Cette liste contient les pièces de rechange utilisées dans votre appareil de chauffage. Quand vous commandez des pièces, reportez-vous aux instructions de la section *Pièces de rechange*, à la page 11 de ce mode d'emploi.

CODE	NUMÉRO DE PIÈCE		DESCRIPTION	QTÉ.
	35-FAC, NLP35A SPC-35, RLLP35A	SPC-40		
1	113832-01	113832-01	Trousse de l'habitacle de l'appareil (La trousse de rechange n'est pas peinte)	1
2	113833-01	113833-01	Assemblage de la boîte de contrôle	1
3	102445-01	102445-01	Allumeur piézoélectrique	1
4	102334-01	102334-01	Écrou de blocage	1
5	113852-01	113852-01	Écrou hexagonal, 5-28	1
6	113834-01	113834-02	Vanne avec thermocouple	1
7	113846-01	113846-01	Assemblage des fils	1
8	113848-01	113848-01	Ensemble du régulateur thermique	1
9	113847-01	113847-01	Électrode d'allumage	1
10	097918-01	097918-01	Agrafe de la poignée	2
11	097917-01	097917-01	Poignée	1
12	113851-01	113851-01	Ventilateur	1
13	113849-01	113849-01	Moteur	1
14	113850-01	113850-01	Grille de ventilateur	1
15	M11143-1	M11143-1	Douille, collier de serrage	1
16	098219-25	098219-25	Cordon d'alimentation	1
<b>PIÈCES DISPONIBLES — PAS ILLUSTRÉES</b>				
	113835-01	113835-01	Assemblage de tuyau et de régulateur	1
	113858-02	—	Décalque de marque de commerce (35-FAC)	2
	113858-01	—	Décalque de marque de commerce (SPC-35)	2
	113858-04	—	Décalque de marque de commerce (NLP35A)	2
	109111-02	—	Décalque de marque de commerce (RLLP35A)	2
	113853-01	113853-01	Décalque d'avertissement	1
	113854-01	113854-01	Décalque de fonctionnement	1
	113802-03	113802-04	Décalque des données sur le modèle	1

\*\* Remplacement à l'usine seulement.

---

## NOTES

---

## NOTES

# SERVICE DE GARANTIE ET DE RÉPARATION

## CONSERVEZ CETTE GARANTIE

Modèle \_\_\_\_\_

Numéro de série \_\_\_\_\_

Date de l'achat \_\_\_\_\_

### GARANTIE LIMITÉE

DESA Heating Products garantit ce produit et toutes les pièces qu'il contient contre tout défaut de matériau et de fabrication pour un (1) an à partir de la date d'achat originale lorsque utilisés et entretenus selon les instructions. Cette garantie ne protège que l'acheteur au détail d'origine, lorsqu'une preuve d'achat est fournie.

Cette garantie ne couvre que le coût des pièces et de la main-d'œuvre requis pour restaurer le produit à son état de fonctionnement normal. Le transport et les frais incidents associés aux réparations sous garantie ne sont pas remboursables sous cette garantie.

Les réparations sous garantie sont disponibles seulement par l'intermédiaire des revendeurs et des centres de service autorisés.

Cette garantie ne couvre pas les défauts causés par la mauvaise utilisation, l'abus, la négligence, les accidents, le manque d'entretien adéquat, l'usure normale, les modifications, les altérations, les combustibles contaminés, les réparations avec des pièces non conformes ou une réparation par quelqu'un d'autre qu'un revendeur ou un centre de service autorisé. L'entretien de routine est la responsabilité du propriétaire.

CETTE GARANTIE EXPRESSE REMPLACE TOUTE AUTRE GARANTIE EXPRESSE OU IMPLICITE, Y COMPRIS LES GARANTIES DE COMMERCIALITÉ ET D'ADÉQUATION À UN BESOIN PARTICULIER.

Desa Heating Products n'assume aucune responsabilité pour les dommages indirects, imprévus ou incidents. Dans les états et les provinces qui ne permettent pas l'exclusion ou la restriction des dommages imprévus ou incidents et certaines restrictions ou exclusions, ces exclusions et ces restrictions ne s'appliquent pas à vous. Cette Garantie Limitée vous donne des droits spécifiques selon la loi; vous pourriez aussi avoir d'autres droits selon l'état ou la province où vous habitez.

Nous nous réservons le droit de modifier ces spécifications à tout moment sans préavis. La seule garantie valable est notre garantie écrite standard. Nous n'offrons aucune autre garantie, expresse ou implicite.

### RÉPARATION SOUS GARANTIE

Si votre appareil de chauffage a besoin de réparation, retournez-le au centre de service autorisé le plus près de chez vous. Une preuve d'achat doit être présentée avec l'appareil de chauffage. L'appareil de chauffage sera inspecté. Un défaut peut être causé par des matériaux défectueux ou un défaut de fabrication. Si tel est le cas, DESA Heating Products réparera ou remplacera l'appareil de chauffage sans frais.

### SERVICE DE RÉPARATION

Retournez votre appareil de chauffage au centre de service autorisé le plus proche de chez vous. Les réparations non couvertes par la garantie seront facturées aux prix normaux. Chaque centre de service est autonome. Nous nous réservons le droit de modifier ces spécifications à tout moment sans préavis.

Lorsque vous nous écrivez pour obtenir des renseignements concernant votre appareil de chauffage, veillez à inclure les numéros de modèle et de série qui sont inscrits sur la plaque signalétique de l'appareil.

Pour tout renseignement concernant cette garantie, écrivez à :

**DESA**<sup>™</sup>

**HEATING PRODUCTS**

2701 Industrial Drive

P.O. Box 90004

Bowling Green, KY 42102-9004, USA

ATTN: Customer Service Department



113855 01  
NOT A UPC

113855-01  
Rev. A  
05/04

## Free Manuals Download Website

<http://myh66.com>

<http://usermanuals.us>

<http://www.somanuals.com>

<http://www.4manuals.cc>

<http://www.manual-lib.com>

<http://www.404manual.com>

<http://www.luxmanual.com>

<http://aubethermostatmanual.com>

Golf course search by state

<http://golfingnear.com>

Email search by domain

<http://emailbydomain.com>

Auto manuals search

<http://auto.somanuals.com>

TV manuals search

<http://tv.somanuals.com>