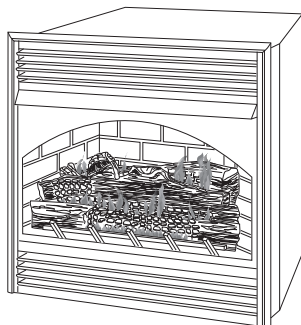


DESA™

HEATING PRODUCTS

HFL300 SERIES BRICK LINER KIT INSTALLATION INSTRUCTIONS



IMPORTANT: Read entire instruction sheet before installing brick liner.

This brick liner accessory is approved for use in Series 4 32" vent-free gas fireplaces and fireboxes. Do not use brick liner accessory in any other fireplace models.

The Brick Liner Kit contains the following:

- 1 - Rear Firebrick Panel
- 2 - Side Firebrick Panels
- 2 - Retainer Brackets
- 2 - #10 Screws

Tools required:

- Phillips Screwdriver
- 5/16" Hex Socket Wrench or Nut Driver

If any of these parts are missing or damaged, contact dealer where you purchased this kit. If they cannot supply original replacement parts, either contact your nearest Parts Central or call DESA Heating Products at 1-866-672-6040 for information.

IMPORTANT: Always handle firebrick panels with two hands.

WARNING: Turn off, unplug, and let fireplace cool before installing brick liner. Only a qualified service person should service and repair fireplace.

NOTICE: You must remove log base assembly before installing brick liner.

1. To remove screen, lift screen up off the screws in front of fireplace (see Figure 1).

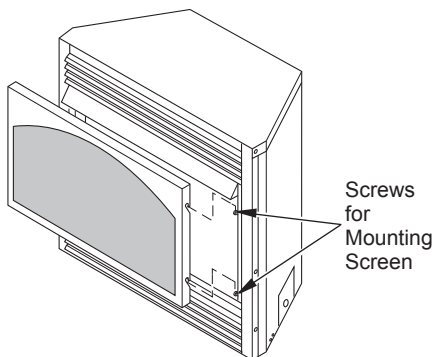


Figure 1 - Removing Fireplace Screen

Save for future reference.

For more information, visit www.desatech.com

Download from www.Somanuals.com. All Manuals Search And Download.

- Remove logs. Remove two screws that attach log base assembly to fireplace. Carefully lift log base assembly and remove from fireplace (see Figure 2).

CAUTION: Do not pick up log base assembly by burners. This may damage burners. Only pick up base by the grate.

Note: Some installations may require the gas supply line to be disconnected before removing log assembly. If so, call a qualified service person to disconnect gas supply from fireplace.

WARNING: A qualified service person must connect and disconnect fireplace to gas supply. Follow all local codes.

- Install rear firebrick panel on back wall first. Standard brick panel has larger bricks at the top while the Herringbone panel has smaller bricks at the top. Rest the bottom edge of firebrick panel on liner flange. Stand firebrick panel straight up against the back of fireplace (see Figure 3). The side brick panels will hold the rear panel in place.

CAUTION: Always handle firebrick panels with two hands. Do not force firebrick panels into place. Excessive force will break firebrick panels.

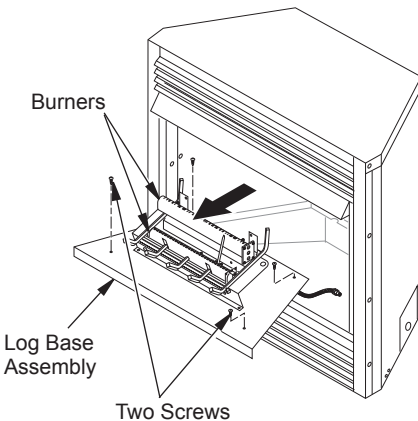


Figure 2 - Removing Log Base Assembly from Fireplace

Note: If your fireplace has a thermdisc plate, make sure you position the hole in rear firebrick panel over the thermdisc plate on rear wall of fireplace (see Figure 3). If you cover the thermdisc plate with the firebrick panel, the fan will not run properly.

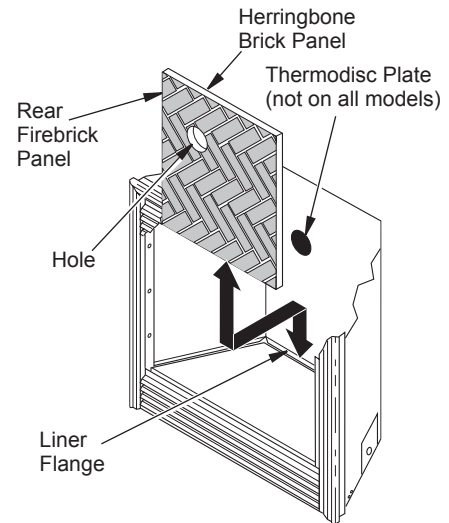
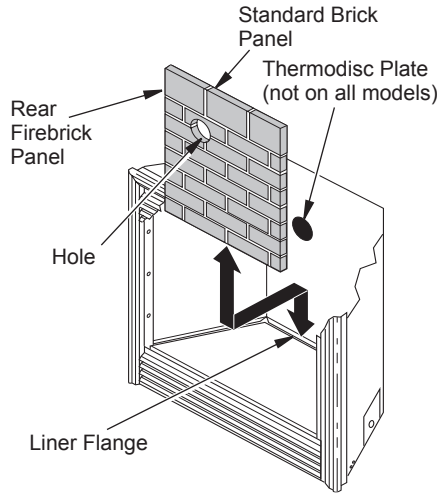


Figure 3 - Placing Rear Firebrick Panel on Flange in Fireplace

- Slide one side firebrick panel behind the retaining edge of fireplace. Standard brick panel has larger bricks at the top while the Herringbone panel has smaller bricks at the top. Gently press the firebrick panel back against the side wall (see Figure 4). The bottom edge of the firebrick panel will rest on liner flange and against back panel.

CAUTION: Always handle firebrick panels with two hands. Do not force firebrick panels into place. Excessive force will break firebrick panels.

- Secure side firebrick panel to side wall of fireplace with one retainer bracket and one screw (see Figure 5).
- Note:* If there is a screw in the fireplace side walls where you are to install the retaining bracket, remove screw.
- Repeat steps 4 and 5 to install other side of firebrick panel.
 - Put log base assembly back into fireplace. Secure log base assembly with the two screws removed in step 2 (see Figure 2, page 2).

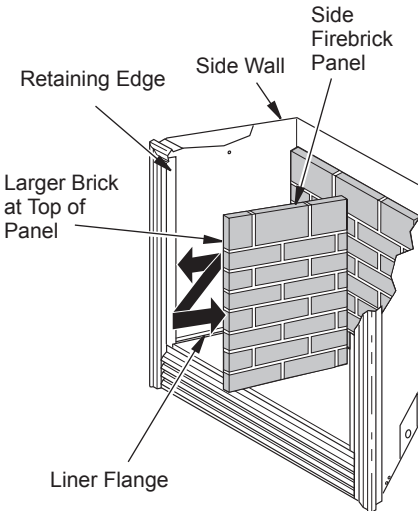


Figure 4 - Placing Side Firebrick Panel Behind Retaining Edge

WARNING: A qualified service person must connect and disconnect fireplace to gas supply. Follow all local codes.

WARNING: Test all gas piping and connections for leaks after installing or servicing. Correct all leaks at once.

WARNING: Never use an open flame to check for a leak. Apply a noncorrosive leak detection fluid to all joints. Bubbles forming show a leak. Correct all leaks at once.

- Replace logs. Make sure logs are put in their proper position. See *Installing Logs* in the Fireplace Owner's Manual.
- Replace screen (see Figure 1, page 1).

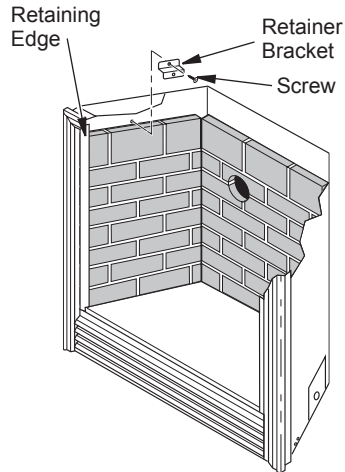


Figure 5 - Securing Side Firebrick Panel to Side Wall of Fireplace

DESA[™]
HEATING PRODUCTS

2701 Industrial Drive
P.O. Box 90004
Bowling Green, KY 42102-9004
www.desatech.com



116466 01

NOT A UPC

116466-01
Rev. A
03/05

Free Manuals Download Website

<http://myh66.com>

<http://usermanuals.us>

<http://www.somanuals.com>

<http://www.4manuals.cc>

<http://www.manual-lib.com>

<http://www.404manual.com>

<http://www.luxmanual.com>

<http://aubethermostatmanual.com>

Golf course search by state

<http://golfingnear.com>

Email search by domain

<http://emailbydomain.com>

Auto manuals search

<http://auto.somanuals.com>

TV manuals search

<http://tv.somanuals.com>