

C36EMW

36" Circulating Firebox

Includes: Manual Variable Control Fan System, Combustion Air Kit and Bi-Fold Doors with Brushed Brass Finish

INSTALLATION INSTRUCTIONS

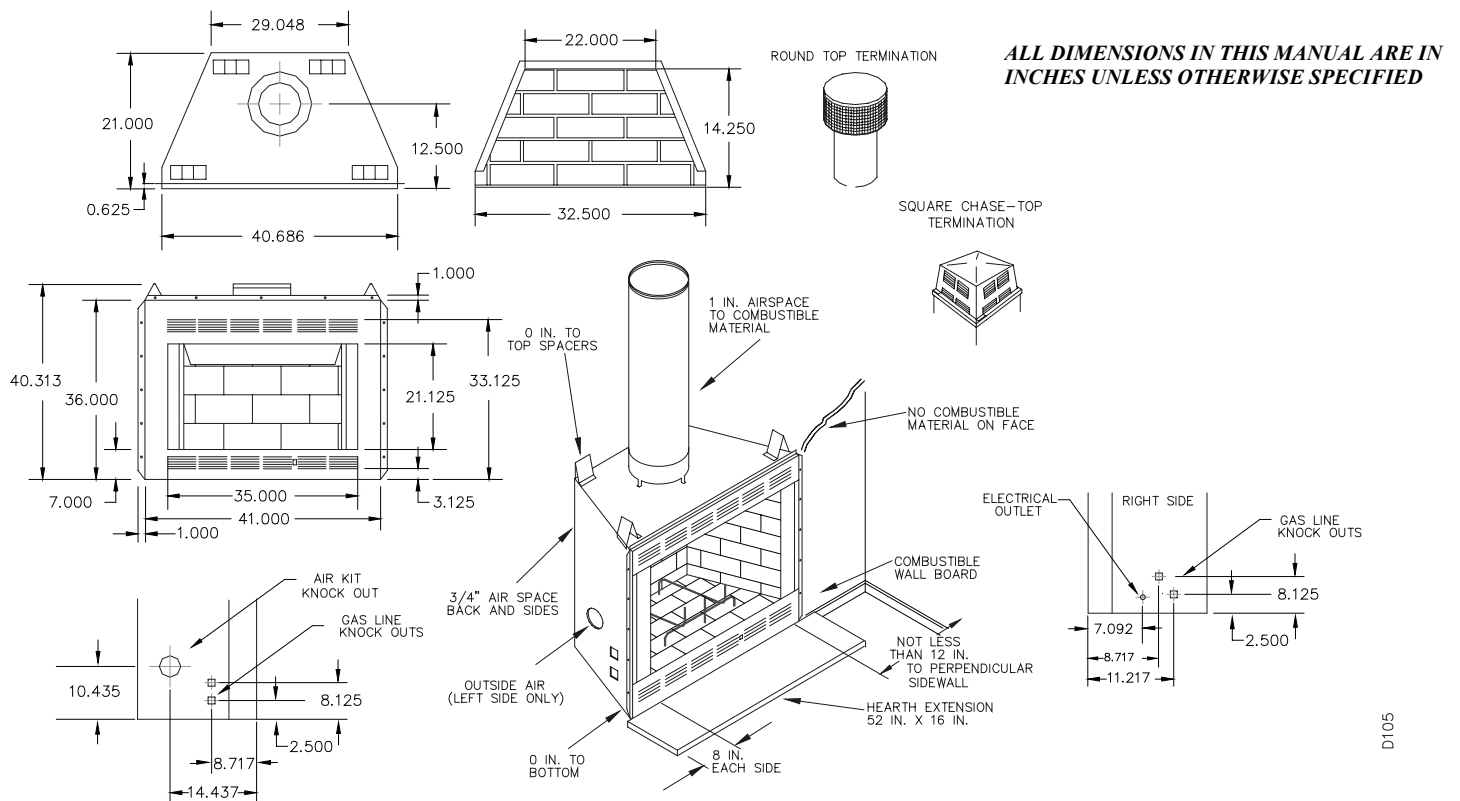
SAVE THIS BOOK

This book is valuable. In addition to instructing you on how to install and maintain your appliance, it also contains information that will enable you to obtain replacement parts or accessory items when needed. Keep it with your other important papers.

This firebox is approved for use as a wood burning fireplace or for use with a vented gas log approved to ANS Z21.60, Z21.84 or RGA 2-72 standards or for use with a vent-free gas log heater approved to ANS Z21.11.2 standard. A DESA hood must be installed when using a vent-free gas log heater (see Accessories, p. 12).

▲ WARNING: Always leave glass doors fully opened or fully closed when operating this fireplace.

This firebox meets the construction and safety standards of H.U.D. for application in mobile homes when installed according to these instructions.



D105

DESA INTERNATIONAL
 2701 INDUSTRIAL DRIVE
 P.O. BOX 90024
 BOWLING GREEN, KY 42101-9004
www.desatech.com



P/N 108771-01
REV D
 6/02

CONTENTS

1.	INTRODUCTION	-----	PG. 2
2.	SELECTING LOCATION	-----	PG. 2
3.	MINIMUM CLEARANCES	-----	PG. 2
4.	FRAMING AND INSTALLING	-----	PG. 3
5.	HEARTH EXTENSION	-----	PG. 3
6.	OUTSIDE AIR KIT INSTALLATION	-----	PG. 4
7.	FAN KIT ASSEMBLY	-----	PG. 4
8.	CHIMNEY PIPE	-----	PG. 4-5
9.	FIRESTOP THIMBLE AND SPACERS	-----	PG. 5-6
10.	FLASHING AND TERMINATION	-----	PG. 7
11.	FINISHING YOUR FIREPLACE	-----	PG. 8
12.	MANTEL	-----	PG. 8
13.	GLASS DOORS	-----	PG. 8
14.	GAS LINE INSTALLATIONS	-----	PG. 9
15.	OUTSIDE AIR AND DAMPER HANDLE LOCATION	-----	PG. 10
16.	TECHNICAL SERVICE	-----	PG. 10
17.	ILLUSTRATED PARTS	-----	PG.11-11a
18.	REPLACEMENT AND TECHNICAL PARTS	-----	PG.12
19.	PART NUMBER REFERENCE TABLE	-----	PG.12a

FOR YOUR SAFETY

- Do not store or use gasoline or any other flammable vapors or liquids in the vicinity of this or any other appliance.
- Due to high temperatures, the appliance should be located out of traffic and away from furniture and draperies.
- Do not place clothing or other flammable materials on or near the appliance.
- NEVER leave children unattended when a fire is burning in the fireplace.

▲ WARNING: Improper installation, adjustment, alteration, service or maintenance can cause injury, property damage, or loss of life. Refer to this manual for assistance or additional information. Consult a qualified installer or local distributor.

CHECK HUD REQUIREMENTS BEFORE INSTALLING THIS FIREPLACE.

INTRODUCTION

BEFORE BEGINNING THE INSTALLATION OF THE FIREPLACE, READ THESE INSTRUCTIONS THROUGH, COMPLETELY.

- ◆ This DESA fireplace and its components are safe when installed according to this installation manual. Unless you use DESA components, which has been designed and tested for the fireplace system, you may cause a fire hazard.
- ◆ The DESA warranty will be voided by and DESA disclaims any responsibility for the following actions:
 - a) Modification of the fireplace, components, doors, blower, fans, air inlet system and damper control.
 - b) Use of any component part not manufactured or approved by DESA in combination with a DESA fireplace system.

PROPER INSTALLATION is the most important step in ensuring safe and continuous operation of the fireplace. Consult the local building codes as to the particular requirements concerned with the installation of all factory built fireplaces. Although grounding may not be required by code the manufacturer recommends it.

This Model fireplace C36EMW meets the construction and safety standards of HUD for application in mobile homes when installed according to these instructions.

▲ WARNING: Do not install a fireplace insert in this box unless the manufacturers instructions with the insert specifically state this fireplace has been tested for use with the insert.

This fireplace is not intended to be used as a substitute for a furnace to heat an entire home. Use for supplemental heat only.

USE SOLID WOOD OR PROCESSED SOLID FUEL FIRELOGS ONLY.

▲ WARNING: When processed wood fuel fire logs are used, do not poke or stir the logs while they are burning. Use only fire logs that have been evaluated for the application in fireplace and refer to fire log warnings and caution markings on packaging prior to use.

This wood burning fireplace complies with UL 127 standard as a FACTORY BUILT FIREPLACE.

CAUTION: The structural integrity of the mobile home floor, and ceiling/roof must be maintained.

SELECTING LOCATION

To determine the safest and most efficient location for the fireplace, you must take into consideration the following guidelines:

- 1.) The location must allow for proper clearances (see figures 1 & 2).
- 2.) Consider a location where the fireplace would not be affected by drafts, air conditioning ducts, windows or doors.
- 3.) A location that avoids the cutting of joists or roof rafters will make installation easier.
- 4.) An outside air kit is included with this fireplace. For more details refer to section on outside air kit installation on page 4.

▲ WARNING: Do not install in a bedroom.

MINIMUM CLEARANCES TO COMBUSTIBLES

- Back and side of fireplace ----- ¾" minimum
- Note: The ¾" clearance is not required at the nailing flanges
- Floor* ----- 0" minimum
- *See step 2 of "Installing the Fireplace" on page 3
- Perpendicular Wall to Opening of unit - 12" minimum
- Top Spacers ----- 0" minimum
- Mantel Clearances ----- see page 8 "Mantels"
- Chimney Outer Pipe Surfaces ----- 1" minimum

▲ WARNING: Do not pack required air spaces with insulation or other materials.

MINIMUM / MAXIMUM CHIMNEY HEIGHT

The minimum height of the chimney, measured from the base of the fireplace to the flue gas outlet of the termination, is 11.5 feet for straight flue or a flue with one elbow set. The maximum distance between elbows is 2 feet. For systems with 2 elbow sets, minimum height is 22 feet. The maximum height of any system is 28 feet. This measurement includes the fireplace, chimney sections and the height of the termination assembly at the level of the flue gas outlet (see page 6, figure 15).

FRAMING AND INSTALLING THE FIREPLACE

STEP 1: Frame the opening for the fireplace using the dimensions shown in figures 1 & 2.

STEP 2: If the fireplace is to be installed directly on carpeting, tile (other than ceramic), or any combustible material other than wood flooring, the fireplace must be installed upon a metal or wood panel extending the full width and depth of the fireplace.

STEP 3: Set the fireplace directly in front of this opening and slide the unit back until the nailing flanges touch the side framing.

STEP 4: Check the level of the fireplace and shim with sheet metal if necessary. Make sure the unit is balanced on each side.

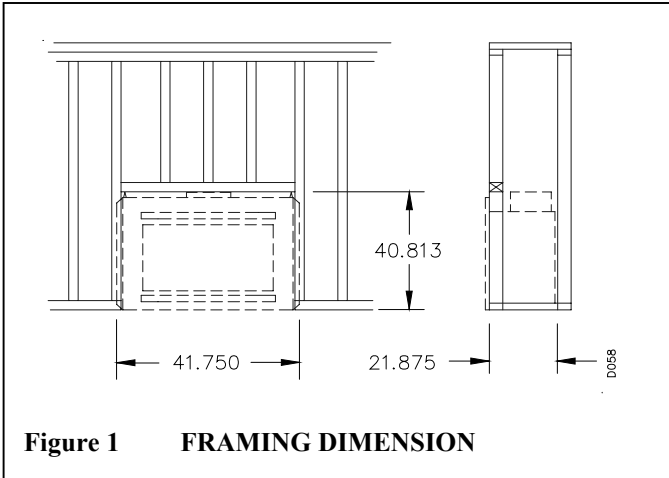


Figure 1 FRAMING DIMENSION

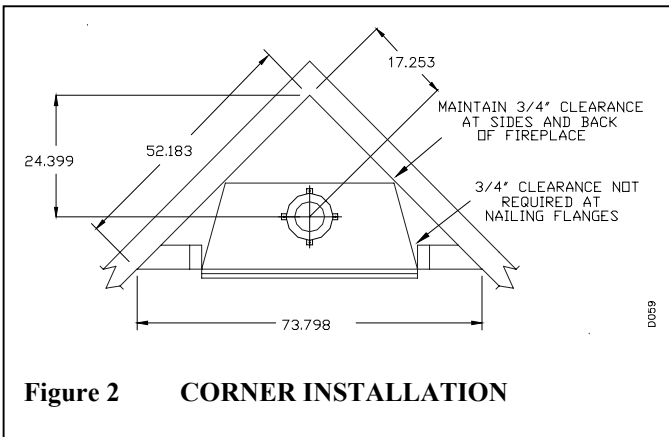


Figure 2 CORNER INSTALLATION

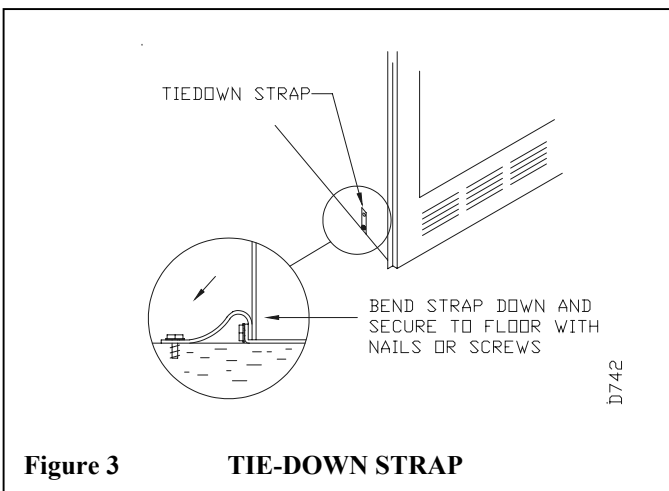


Figure 3 TIE-DOWN STRAP

STEP 5: Before securing fireplace to prepared framing, the ember protector (provided), must be placed between the hearth extension (not supplied), and under the bottom front edge of the fireplace to protect against glowing embers falling through. If the fireplace is to be installed on a raised platform, a Z-type ember protector (not supplied) must be fabricated to fit your required platform height. The ember protector should extend under the fireplace a minimum of 1 - 1/2". The ember protector should be made of galvanized sheet metal (28-gage minimum).

STEP 6: Secure the fireplace to the floor using tie-down straps (see figure 3) to prevent shifting.

HEARTH EXTENSION

A hearth extension projecting a minimum of 16" in front of and a minimum of 8" beyond each side of the fireplace opening is required to protect combustible floor construction in front of the fireplace. Fabricate a hearth extension using a material which meets the following specifications: a layer of non-combustible, inorganic material having a thermal conductivity of $K = 0.84 \text{ BTU IN/FT. HR. F}$ (or less) at 1" thick. For example, if the material selected has a K factor of 0.25, such as glass fiber, the following formula would apply:

$$\frac{0.25 \times 1.0''}{0.84} = 0.30 \text{ thickness required}$$

Thermal conductivity "K" of materials can be obtained from the manufacturer or supplier of the non-combustible material. If the hearth extension is to be covered, use non-combustible material such as tile, slate, brick, concrete, metal, glass, marble, stone etc. Provide a means to prevent the hearth extension from shifting and seal gap between the fireplace frame and hearth extension with a non-combustible material (see figure 4).

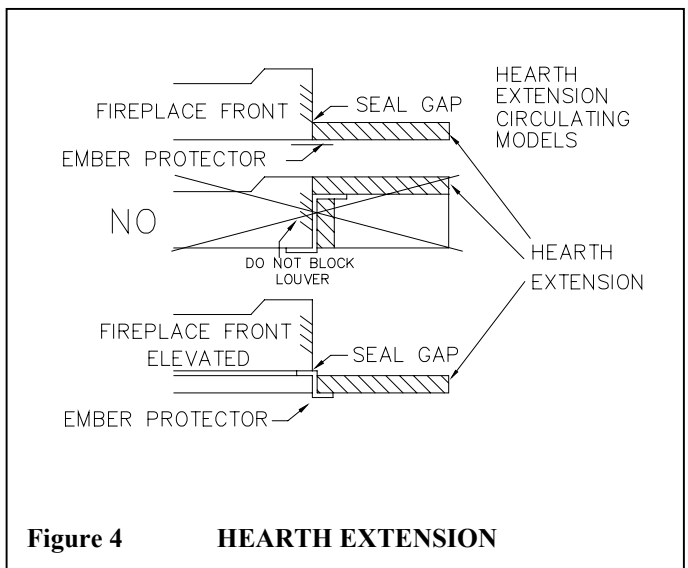


Figure 4 HEARTH EXTENSION

▲ WARNING: Hearth extension is to be installed only as illustrated.

OUTSIDE AIR KIT (MODEL AK-6)

The installation of an outside air kit should be performed during the rough framing of the fireplace due to the nature of its location. Outside combustion air is accessed through the mobile home floor (Refer to AK-6 Installation Instructions for details). In some instances, a wall installation is required (see Figure 5). Note: An AK-6WAI Air Kit must be ordered when a sidewall installation is required (see accessories on page 12). See page 10, figure 25 for instructions on how to operate the air kit.

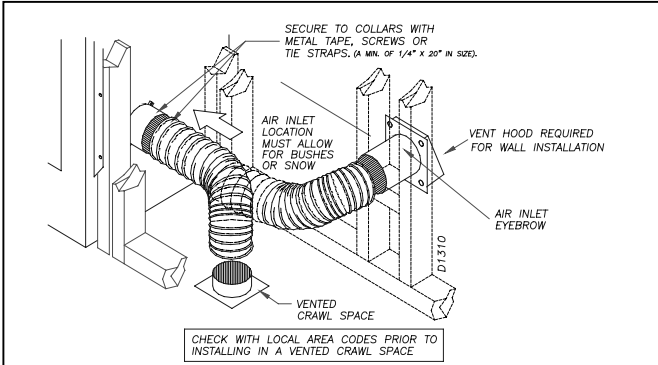


Figure 5 OUTSIDE AIR KIT

FAN KIT ASSEMBLY (BK3)

A fan kit assembly is preinstalled in this fireplace. Use of blowers or fans other than manufactured by DESA voids the warranty. The fan is operated by pressing the rocker switch located at the lower right hand corner of the fireplace face. Fan kit electrical connections are made through the electrical cover plate located on the side of the fireplace as shown in figure 6a.

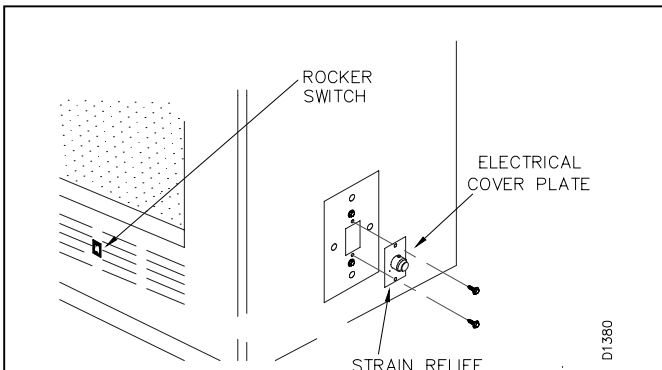


Figure 6a FAN SWITCH AND STRAIN RELIEF

FAN KIT WIRING INSTRUCTIONS

- i. Loosen the strain relief by turning the plastic screw counterclockwise.
- ii. Remove electrical cover plate (with strain relief) from the fireplace by removing the two sheet metal screws as shown in figure 6a.
- iii. Slide power source wiring through the strain relief opening and electrical cover plate and make all the necessary connections.

- iv. Slide all wiring connections in the electrical housing as shown in figure 6b.
 - v. Secure the electrical cover plate with screws previously removed.
 - vi. Tighten strain relief plastic screw.
- NOTE: Electrical housing and cover plate have sharp edges, wear protective gloves.

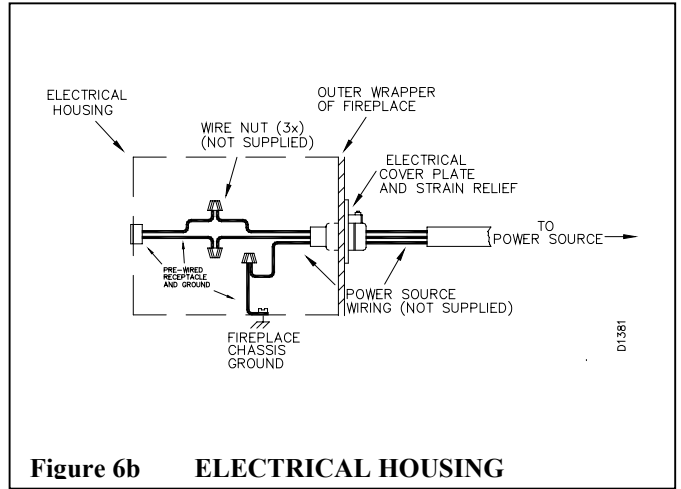


Figure 6b ELECTRICAL HOUSING

CHIMNEY PIPE

The DESA chimney system consists of 12, 18, 24, 36 and 48 inch, snap-lock double-wall pipe segments, planned for maximum adaptability to individual site requirements. Actual lengths gained after fitting overlaps must be taken into consideration (lineal gain) and are given in the lineal gain chart (see figure 7).

There are two vent kits available, which have been specially designed for common installations in manufactured (mobile homes): MW8K (8' Vent Kit) and MW9K (9' Vent Kit). The contents of these kits are listed under accessories on page 12. Most chimney systems for manufactured houses require a standard straight installation as described in this section. If an uncommon offset installation is required, see page 10.

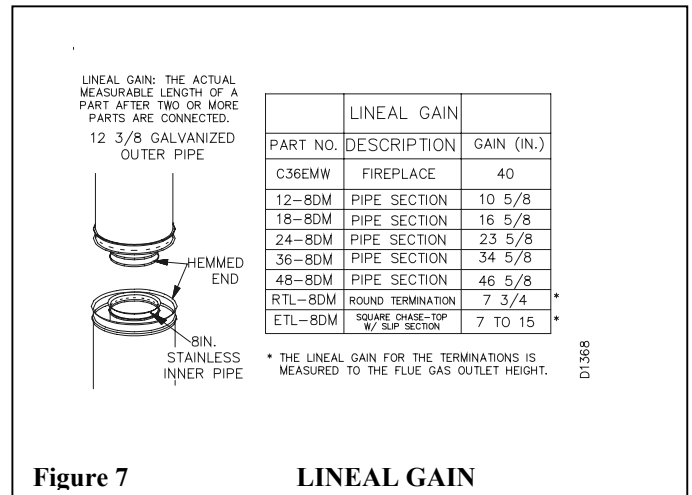


Figure 7 LINEAL GAIN

Important: If the height of the chimney assembly exceeds requirements for transportation of the home, the chimney installation may be completed after the home is sited. Note: the termination must always be installed after the home is sited.

ASSEMBLY AND INSTALLATION OF THE DOUBLE WALL CHIMNEY SYSTEM

Each double wall chimney section consists of a galvanized outer pipe, a stainless steel inner flue pipe and a wire spacer. The pipe sections must be assembled independently as the chimney is installed. When connecting chimney directly to the fireplace, the inner flue pipe section must be installed first with the lanced side up. The outer pipe section can then be installed over the flue pipe section with the hemmed end up. Press down on each pipe section until the lances securely engage the hem on the fireplace starter. The wire will assure the proper spacing between the inner and outer pipe sections.

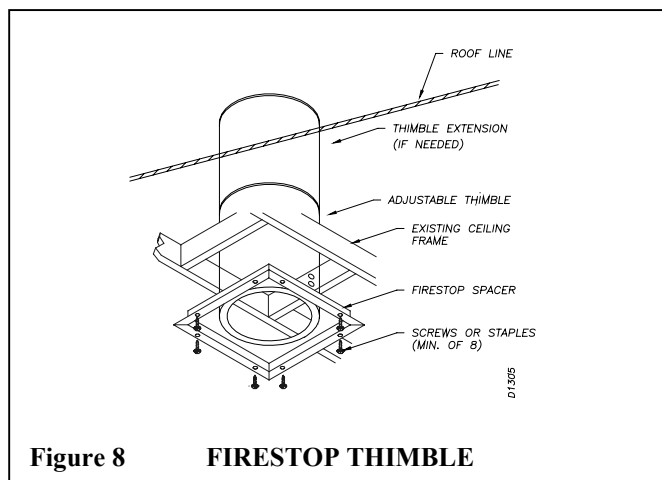
▲ WARNING: The opening in the collar around the chimney at the top of the fireplace must not be obstructed. Never use blown insulation to fill the chimney enclosure.

Continue to assemble chimney sections as outlined above, making sure that both the inner and outer pipe sections are locked together. When installing double wall “snap lock” chimney together, it is important to assure the joint between the chimney sections is locked. Check by pulling chimney upward after locking. The chimney will not come apart if properly locked. It is not necessary to add screws to keep the chimney together (exception – see page 6 figure 12).

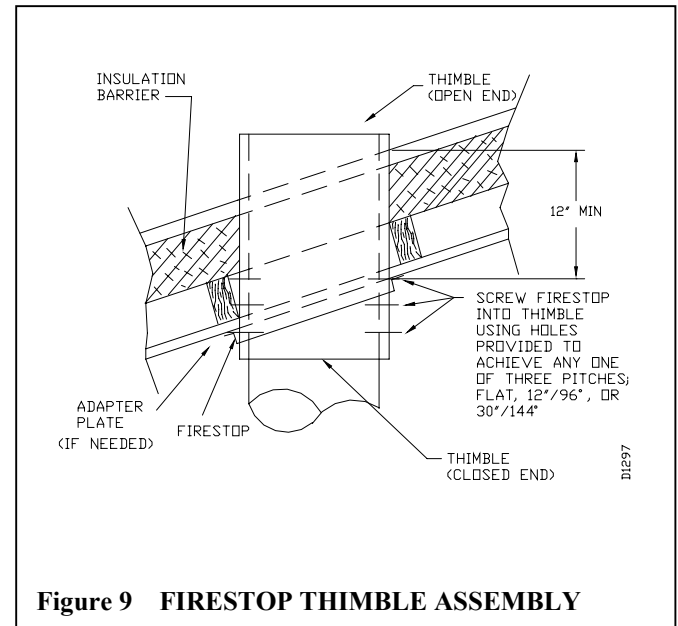
ADJUSTABLE FIRESTOP THIMBLE (FST-A):

The Adjustable Firestop Thimble Assembly (FST-A) is used to provide the necessary air space and clearance between the chimney pipe and the insulation in the attic space of a manufactured home.

To install the thimble assembly, determine the distance between the ceiling joist and the roof framing. Attach the adjustable thimble to the firestop spacer so that the assembly will cover the distance. The adjustable thimble should be even with or above the roofline (see thimble extensions on page 12 if a longer thimble is needed). Sheet metal screws or staples may be used to attach the thimble to the firestop spacer.

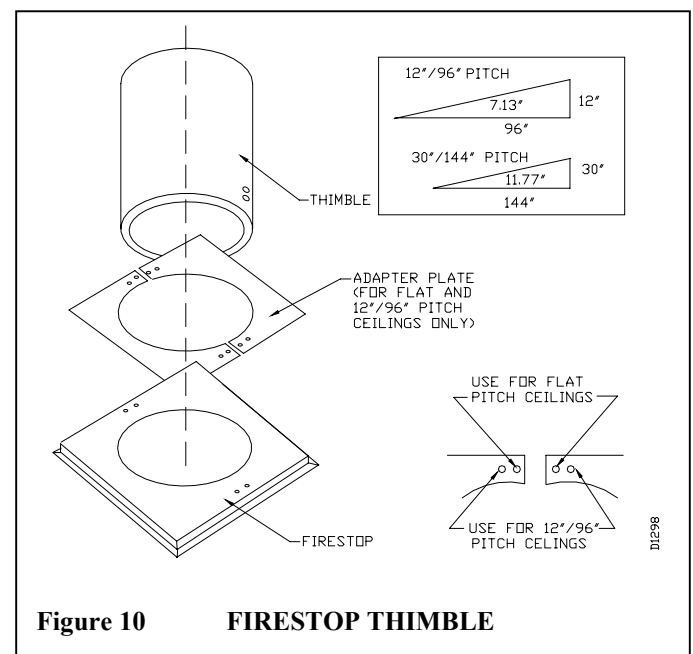


An opening large enough to allow the insertion of the firestop thimble assembly will be required in the ceiling. Attach the firestop/thimble assembly to the ceiling/ceiling joist using screws or staples as shown in figure 8. A minimum of 8 screws or staples should be used.



The firestop thimble assembly should also be used where there is a cathedral ceiling, insulation barrier and roof, all in one assembly in a manufactured home. The FST-A Thimble can be used in any one of three common ceiling pitches: flat, 12°/96°, and 30°/144°.

An opening big enough to allow the insertion of the firestop thimble assembly will be required. This opening depends on the pitch of your ceiling. If your ceiling is a flat or 12°/96° pitch, you must use the adapter plate provided to seal unwanted openings since the opening in the firestop is an ellipse. For 30°/144° pitch, discard the adapter.



If the adapter is needed, secure it onto the firestop using holes provided (see figure 10). The row of holes on the sides of the thimble is provided to allow for pitch variances. Position the firestop assembly and thimble to desired angle and secure with screws provided. Insert the thimble and firestop into the prepared opening and secure to the ceiling by nailing through the firestop flanges. The thimble should be even with or above the roofline. Thimble extensions are available (as an option) when required. See “accessories” on page 12.

NOTE: If there is a second story in the home, firestop spacer V3600FS-8DM will be required. See “Firestop Spacer”.

INSTRUCTIONS WHEN ELBOW OFFSET (30E-8DM) OF CHIMNEY IS NEEDED

TO INSTALL ELBOWS

1. To achieve desired offset, you may install combinations of 12”, 18”, 24”, 36” and 48” length of double wall pipe (SEE SINGLE OFFSET CHART AND FIGURE 12).

OFFSET CHART

OFFSET	RISE	CHIMNEY LENGTH				
		48"	36"	24"	18"	12"
4 - 3/8	16 - 3/8					
9 - 3/4	25 - 1/2					1
12 - 3/4	30 - 3/4				1	
15	34 - 3/4			1		
18	40				1	1
21 - 1/4	46 - 1/4		1			
23 - 3/4	49 - 1/4			1	1	
27 - 3/4	56 - 3/4	1				
30	60 - 3/4		1		1	
33	66	1				1
36	71	1			1	
38 - 1/4	75		2			
41 - 1/4	80 - 1/4		1			1
45	86 - 3/4		2			
46 - 3/4	89 - 1/2	1			1	1
51	97	1	1			
53 - 1/4	101		2		1	
56 - 1/4	106 - 1/4	2				
59 - 1/4	111 - 1/2	1	1		1	
61 - 3/4	115 - 1/2	2				1
64 - 3/4	120 - 3/4	2			1	
68 - 1/4	127	1	2			
70	130	2			1	1
74 - 1/4	137 - 1/2	1	2			
76 - 3/4	141 - 1/2	1	2		1	
79 - 3/4	146 - 3/4		4			

2. Chimney weight above offset rests on return elbow. Straps must be securely nailed to rafters or joists (see figure 12, details a & b).
3. Maximum length of pipe between supports (return elbow or 12S-8DM) is 2’ of angle run.

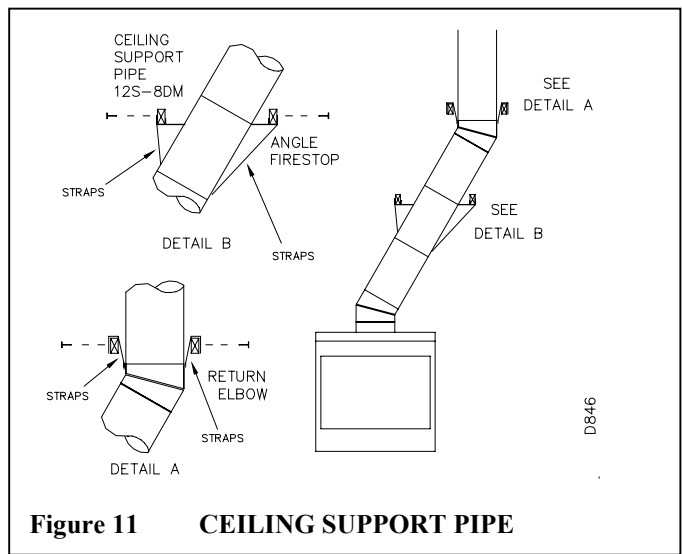


Figure 11 CEILING SUPPORT PIPE

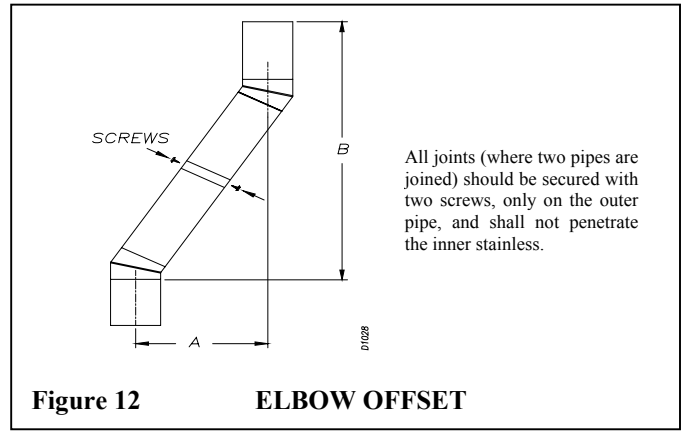


Figure 12 ELBOW OFFSET

FIRESTOP SPACERS (V3600FS-8DM)

Firestop spacers are required at each point where the chimney penetrates a floor space. Their purpose is to establish and maintain the required clearance between the chimney and the combustible materials. When the pipe passes through a framed opening into a living space above, the firestop must be placed onto the ceiling from below as shown in figure 13.

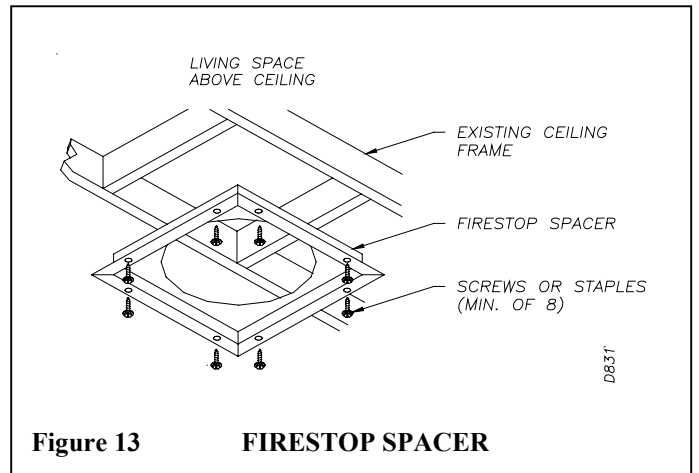


Figure 13 FIRESTOP SPACER

PENETRATING THE ROOF

To maintain a 1-inch clearance to the pipe on a roof with a pitch, a rectangular opening must be cut.

STEP 1: Determine the center point through which the pipe will penetrate the roof.

STEP 2: Determine the center point of the roof. Pitch is the distance the roof drops over a given span, usually 12 inches. A 6/12 pitch means that the roof drops 6 inches for each 12 inches one measure horizontally down from the roof rafters.

STEP 3: Use the roof opening chart (figure 14) to determine the correct opening length and flashing required.

STEP 4: Remove the shingles around the opening measured and cut out this section.

STEP 5: Add the next sections of the pipe until the end penetrates the roofline. Check to see that the proper clearances are maintained. Extend chimney by adding sections of double wall pipe until pipe is a minimum of 30 inches above the highest point of the roof cutout. Termination and chimney must extend a minimum of 36 inches above the highest point where it passes through roof.

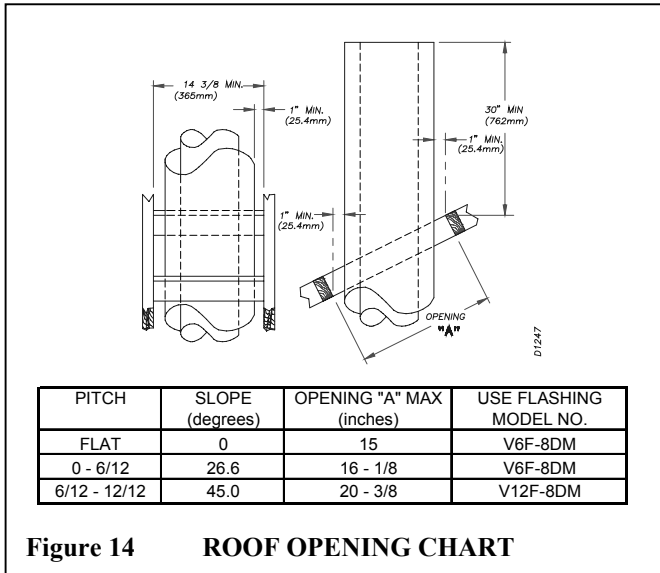


Figure 14 ROOF OPENING CHART

FLASHING INSTALLATION (V6F-8DM or V12F-8DM)

Determine the flashing to be used with the roof opening chart. Slide flashing over pipe until base is flat against roof. Replace as many shingles as needed to cover exposed area and flashing base. Secure in position by nailing through shingles (see figure 15).

DO NOT NAIL THROUGH FLASHING CONE.

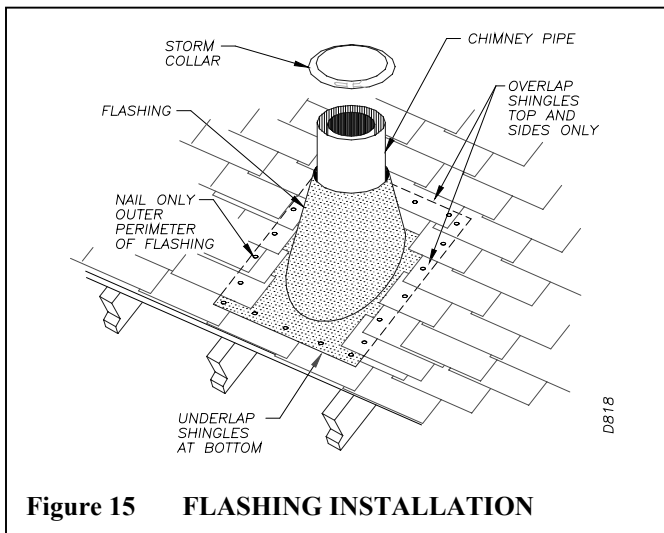


Figure 15 FLASHING INSTALLATION

INSTALLING FLASHING ON A METAL ROOF

When installing the flashing on a metal roof, it is required that putty tape be used between the flashing and the roof. The flashing must be secured to the roof using #8 x 3/4" screws and then sealed with roof coating to prevent leakage through the screw holes. A roof coating must also be applied around the perimeter of the flashing to provide a proper seal.

STORM COLLAR INSTALLATION (SC1)

Place storm collar over pipe and slide down until it is snug against the open edge of the flashing (see figure 16). Apply waterproof caulk around the perimeter of the collar to provide a proper seal.

Note: Storm collar is required but can be installed after the home is sited.

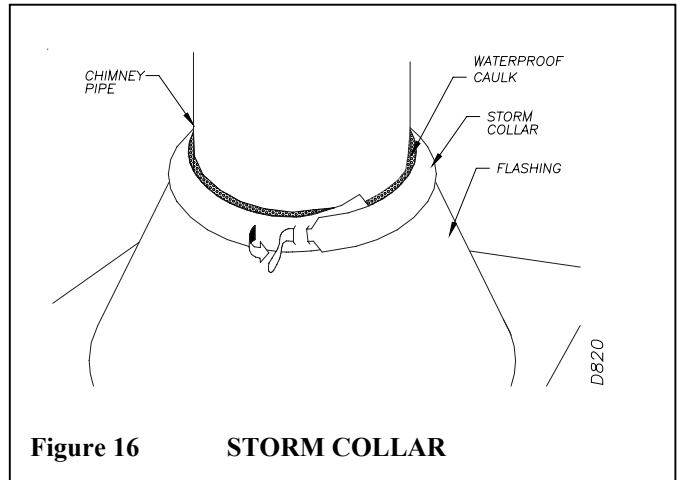


Figure 16 STORM COLLAR

TERMINATIONS / SPARK ARRESTOR

The fireplace system must be terminated with the listed round top or chase terminations. In any case, refer to the installation instructions supplied with the termination. The terminations approved for this fireplace are the RTL-8DM, which can be used for flashing or chase and the ETL-8DM, for chase style termination only. Figure 17 shows an RTL-8DM round top termination.

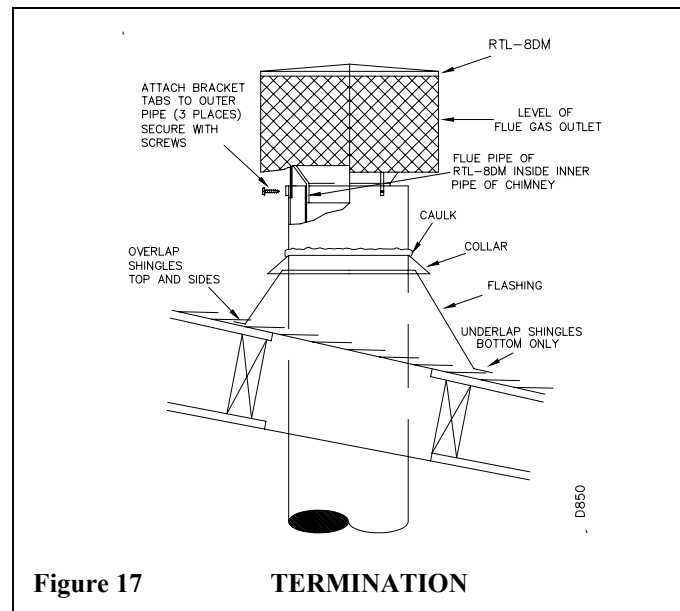


Figure 17 TERMINATION

CAUTION: Do not seal openings on the rooftop flashing. Follow the installation instructions provided with the termination being used.

NOTE: In the rare instance there is a problem with the side driven rain or wind or the chimney is not drafting properly, an ADS-8DM Anti Draft Shield can be used with round terminations.

CHASE INSTALLATIONS

Instructions for chase installations are included with the chase style termination chosen. In a multiple chase installation, be sure to provide adequate distance between terminations to prevent smoke spillage from one termination to another. We suggest that terminations be separated at least 24 inches, center to center and stacked at vertical height difference of 18 inches (see figure 18).

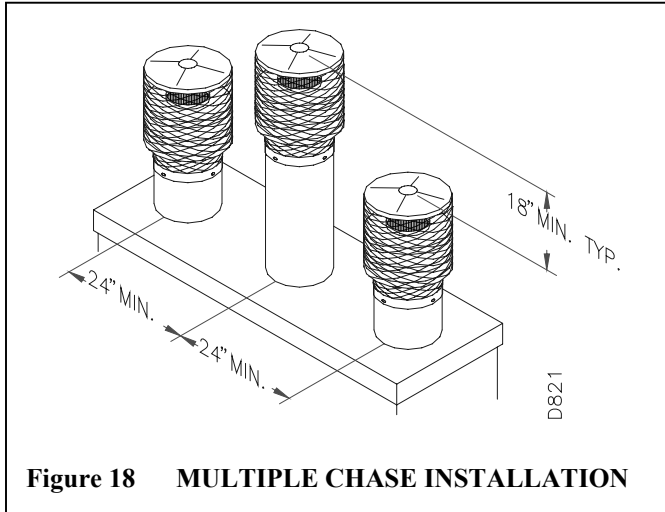


Figure 18 MULTIPLE CHASE INSTALLATION

10-FOOT RULE

All flue gas outlet of chimney termination must extend a minimum of 3 feet in height above the highest point where it passes through the roof and must be at least 2 feet above the highest point of the roof that is within a horizontal distance of 10 feet (see figure 19).

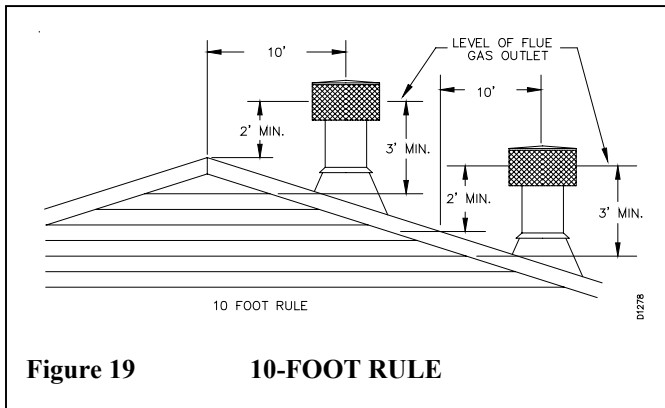


Figure 19 10-FOOT RULE

FINISHING THE FIREPLACE

Combustible materials, such as wallboard, gypsum board, sheet rock, drywall, plywood, etc. may make direct contact with sides and top periphery of the fireplace face. It is important that combustible materials do not overlap the face itself. Brick, glass, tile or other non-combustible materials may overlap the front face provided they do not obstruct essential openings like louvered slots or any other opening. When overlapping with a non-combustible facing material, use only non-combustible mortar or adhesive.

MANTEL

A mantel may be installed if desired (see figure 20), Woodwork such as wood trims, mantels, or any other combustible material projecting from the front face must not be placed within 9 inches of the fireplace opening (and within 6 inches of the top louver opening). Combustible materials above 9 inches and projecting more than 1-1/2 inches from the fireplace must not be placed less than 12 inches from the top opening of the fireplace (NFPA STD 211, Sec. 7-3.3.3).

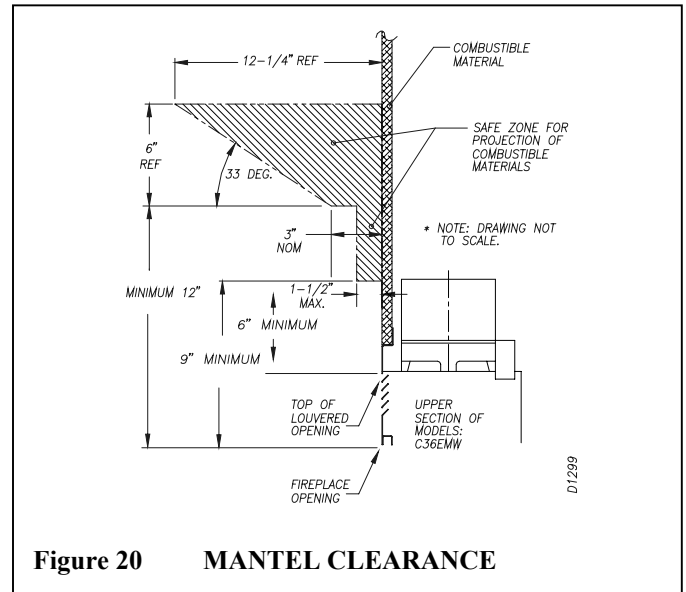


Figure 20 MANTEL CLEARANCE

NOTE: HUD requirements may supersede these minimum dimensions.

OPERATING GUIDELINES AND MAINTENANCE INSTRUCTIONS

GLASS DOORS

Glass doors are standard with the C36EMW fireplace. When the fireplace is in operation, doors must in FULLY OPENED or FULLY CLOSED position only or a fire hazard may be created (see figure 21).

A fireplace equipped with glass doors operates much differently than a fireplace with an open front. A fireplace with glass doors has a limited amount of air for combustion. Excessive heat within the fireplace can result if too large a fire is built or if the combustion air gate is not completely open. The following tips should be followed to assure that both the fireplace and the glass door retain their beauty and function properly. Both the flue damper and the glass doors must be fully opened before starting the fire. This will provide sufficient combustion air and maintain safe temperatures in the firebox.

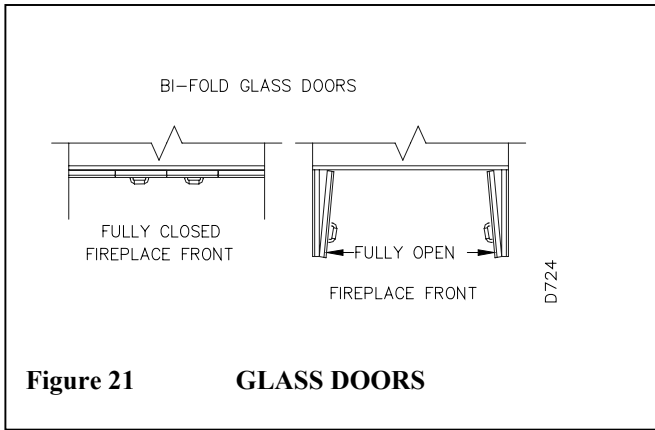


Figure 21 GLASS DOORS

IMPORTANT: The glass must be allowed to warm slowly and evenly. The tempered glass will withstand a gradual temperature rise to 550 degrees Fahrenheit, which is more than a normal fire will generate. Such materials as pitch/wax laden logs, very dry mill end lumber, and large amounts of paper or cardboard boxes can create an excessively hot fire and should not be burned in this fireplace. Always keep the fire well back from the doors and never allow flames to contact the glass.

▲ WARNING: Fireplaces equipped with glass doors should be operated only with doors fully opened or doors fully closed. Doors, if left partly open, may draw gas and flame out of the fireplace opening creating risks of both fire and smoke.

CLEANING THE GLASS

Clean the glass with any commercial glass cleaner or soap and water. Do not use any abrasive material to clean the glass. Do not clean the glass with any cool water if the glass is still hot from the fire and smoke.

OPTIONAL GAS LINE INSTALLATION

Gas line hook up should be done by your supplier or a qualified service person.

NOTE: Before you proceed, make sure your gas supply is turned off.

A gas line may be installed for the purpose of installing a vented or vent-free gas appliance available through your local distributor. Use only a 1/2 inch black iron pipe and appropriate fittings. When installing a gas line, a shut-off valve designed for installation outside the appliance is recommended.

STEP 1: To install, remove the knockout indentation on the refractory, (or firebrick), wall located above the refractory hearth floor. The knockout indentation must be firmly tapped with any solid object until it is released. Remove fragmented portions of refractory (see figure 23).

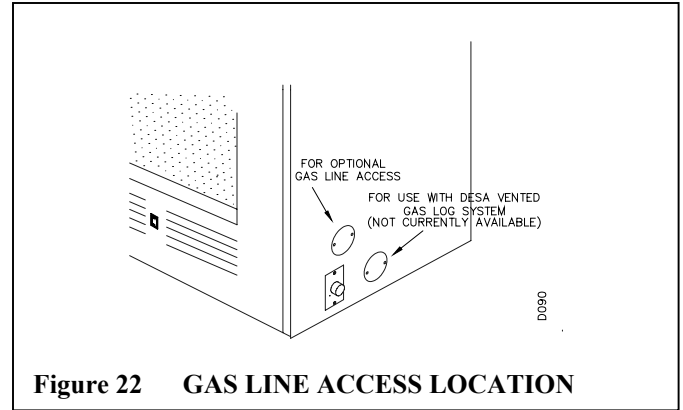


Figure 22 GAS LINE ACCESS LOCATION

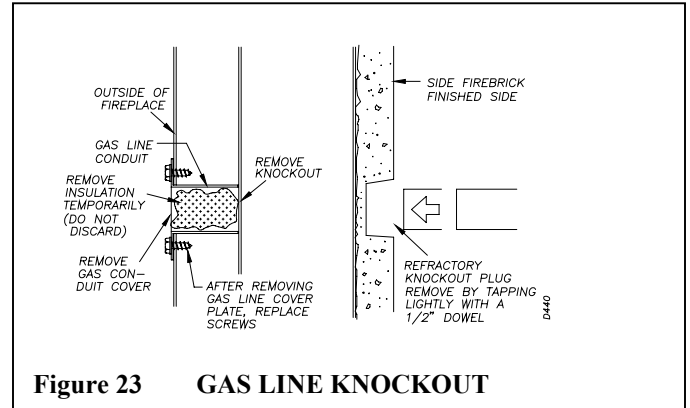


Figure 23 GAS LINE KNOCKOUT

STEP 2: Remove gas line cover plate on either side of fireplace (see figure 22) and pull out insulation (if any) from gas line conduit sleeve. Save insulation for reuse.

STEP 3: Run a 1/2 inch black iron gas line into the fireplace through the rear at gas line conduit sleeve (if using a raised platform, add height). Provide sufficient gas line into fireplace chamber for fitting connection (see figure 24).

NOTE: Secure incoming gas line to wood framing to provide rigidity for threaded end.

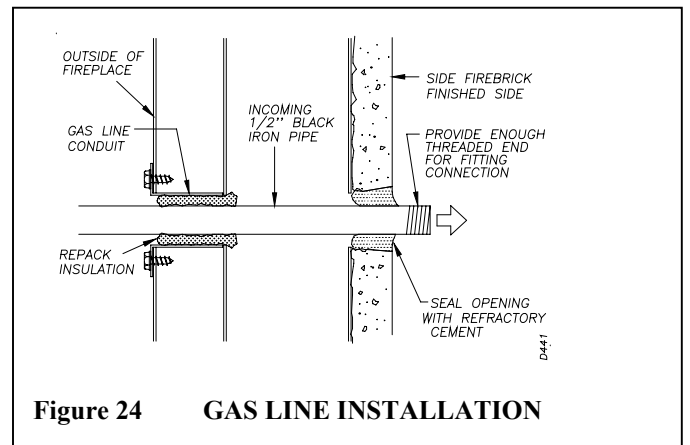
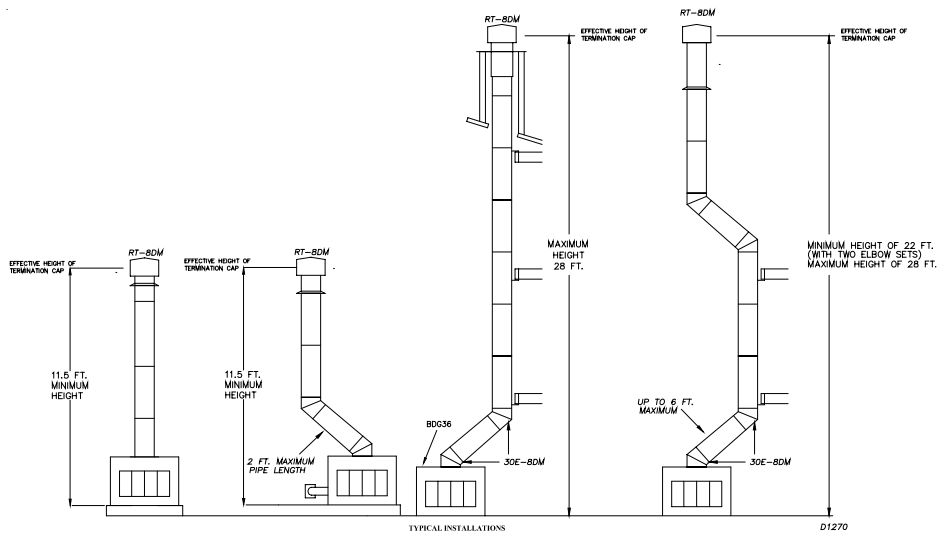


Figure 24 GAS LINE INSTALLATION



STEP 4: Repack insulation around gas line and into sleeve opening. Seal any gaps between gas line and refractory knockout hole with refractory cement or commercial furnace cement. Install the gas appliance or cap-off gas line if desired.

CAUTION: All gas piping and connections must be tested for leaks after the installation is completed. After ensuring that the gas valve is on, apply a commercial leak detection solution to all connections and joints. Bubbles forming show a leak. Correct all leaks at once. **DO NOT USE AN OPEN FLAME FOR LEAK TESTING AND DO NOT OPERATE ANY APPLIANCE IF A LEAK IS DETECTED. LEAK TESTING SHOULD BE DONE BY A QUALIFIED SERVICE PERSON.**

IF YOU WISH TO INSTALL AN UNVENTED (VENT-FREE) GAS LOG SET, ONLY UNVENTED GAS LOG SETS, WHICH HAVE BEEN FOUND TO COMPLY WITH THE STANDARD FOR UNVENTED ROOM HEATERS, ANSI Z21.11.2, ARE TO BE INSTALLED IN THIS FIREPLACE.

NOTE: A DESA hood must be installed when using an unvented gas log set (see accessories on page 12).

▲ WARNING: Do not operate an unvented gas log set in this fireplace with the chimney removed.

If you install a decorative gas appliance (vented gas log), the decorative gas appliance must comply with the **Standard for Decorative Gas Appliance for Installation in Solid Fuel burning Fireplaces, ANS Z21.60, Z21.84 or RGA 2-72**, and shall also be installed in accordance with the **National Fuel Gas Code, ANS Z223.1-NFPA 54** latest edition.

▲ WARNING: If the fireplace has been used for wood burning, the firebox and chimney must be cleaned of soot, creosote and ashes by a qualified chimney cleaner. Creosote will ignite if highly heated.

▲ WARNING: When using a decorative vented gas log, the damper must be removed or permanently locked in the fully open position and the glass doors must be in the fully open position.

OUTSIDE AIR AND DAMPER HANDLE OPERATION
The damper handle, which opens and closes the damper blade, is located in the upper front face of the fireplace. Pushing the handle in to the left of the keyway slot will free the damper blade to automatically open. Pushing the handle in to the right will lock the damper blade closed (see figure 25).

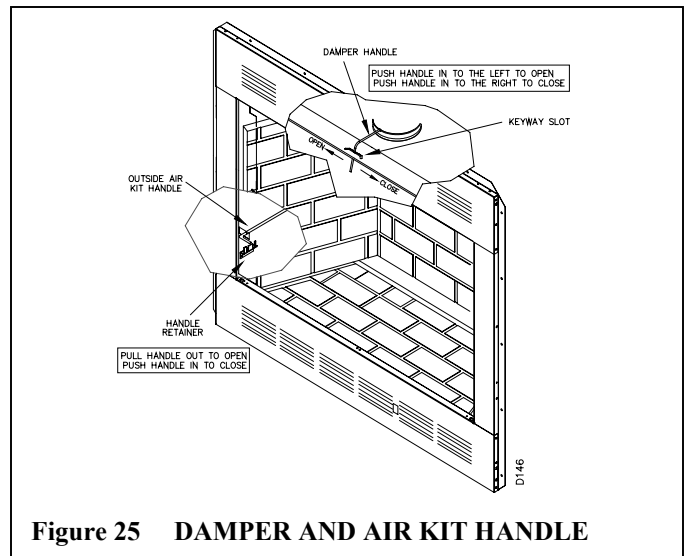


Figure 25 DAMPER AND AIR KIT HANDLE

The outside air kit handle is located at the left hand side of the fireplace (see figure 25). Pulling the handle out will free the outside air door to open. Pushing the handle in will lock the door close.

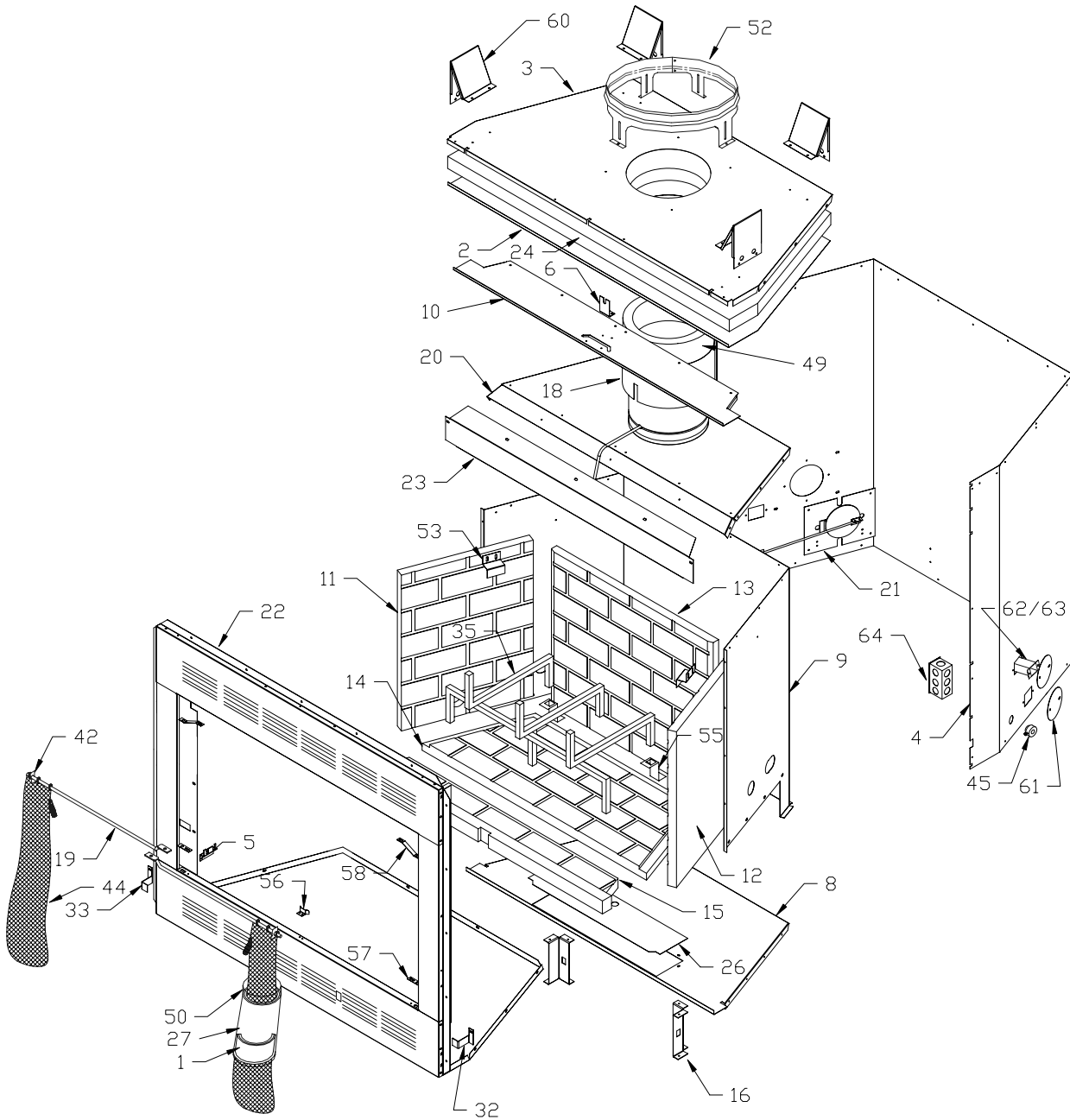
▲ WARNING: Risk of fire! Replace grate with DESA model 1116 grate only. This grate has been designed to keep the operation of your fireplace safe and efficient.

FOR FURTHER OPERATING GUIDELINES, INSTRUCTIONS AND WARRANTY INFORMATION, PLEASE REFER TO YOUR HOMEOWNERS GUIDE OR CONTACT YOUR AUTHORIZED DEALER.

TECHNICAL SERVICE

You may have questions about installation, operations, or troubleshooting. If so, contact the Technical Service Department at 1-866-672-6040. When calling, have the model number of the fireplace ready.

ILLUSTRATED PARTS



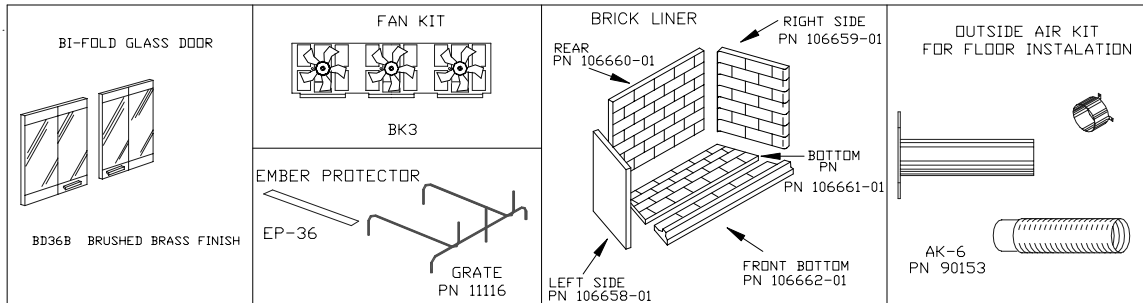
D141

ILLUSTRATED PARTS

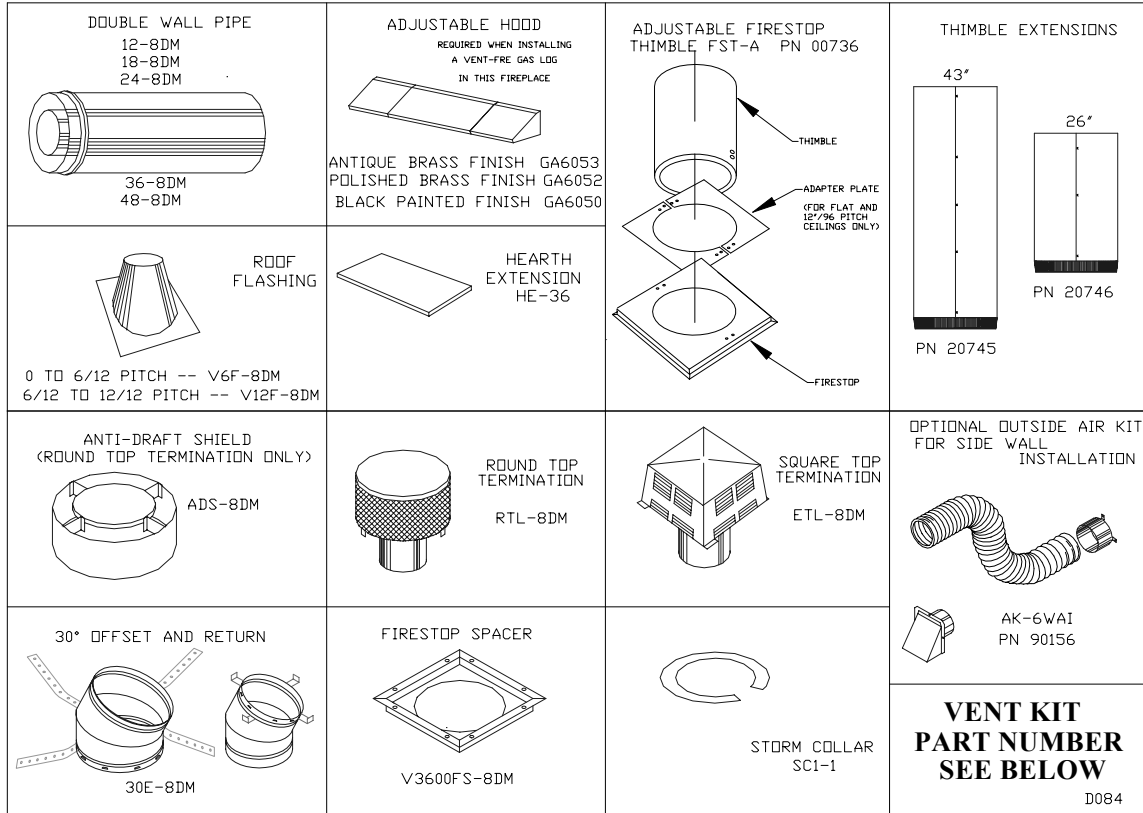
ITEM #	PART #	DESCRIPTION	QTY.	ITEM #	PART #	DESCRIPTION	QTY.
1	54002	HOMEOWNER'S GUIDE	1	*36	11125	SCREW, #8 x 1/2	6
2	106638-01	PAN, INSULATION	1	*37	11148	SCREW, PHILIP #10 x 5/8	14
3	106639-01	TOP, FIREPLACE	1	*38	11165	SCREW, PHILIP #10 x 5/8 OXIDIZED	14
4	106641-01	SURROUND, FIREPLACE	1	*39	11301	RIVET, 1/8 x 1/8	6
5	106642-01	RETAINER, AIR ROD	1	*40	11318	RIVET, 1/8 x 1/4 OXIDIZED	2
6	106643-01	RETAINER, DAMPER ROD	1	*41	11412	PIN, COTTER	2
*7	90153	OUTSIDE AIR KIT	1	42	11418	NUT, PUSH-ON	2
8	106655-01	BOTTOM, FIREBOX	1	*43	11442	PLUG, RECTANGLE	1
9	106656-01	SURROUND, FIREBOX	1	44	12105	SCREEN, 22 x 21	2
10	106657-01	SEPARATOR, AIR	1	45	14123	STRAIN RELIEF	1
11	106658-01	REFRACTORY, LEFT	1	*46	15214	LABEL, AIR KIT	1
12	106659-01	REFRACTORY, RIGHT	1	*47	15244	LABEL, DO NOT BLOCK	1
13	106660-01	REFRACTORY, REAR	1	*48	15246	LABEL, 3/4 AIRSPACE CLEARANCE	1
14	106661-01	REFRACTORY, BOTTOM REAR	1	49	16405	INSULATION, COLLAR	1
15	106662-01	REFRACTORY, BOTTOM FRONT	1	50	16502	BAG, POLY	1
16	106683-01	LEG, FIREBOX SUPPORT	2	*51	16901	STRAPPING, 7/16	10.5
*17	56090	COLEMAN DECAL	1	52	20023	COLLAR, STARTER	1
18	106687-01	COLLAR, DAMPER CAN	1	53	20027	RETAINER, REFRACTORY	2
19	106691-01	ROD, SCREEN	2	*54	20042	COVER, AIR KIT	1
20	106694-01	FIREBOX TOP ASSY.	1	55	20046	TIEDOWN, GRATE	2
21	106703-01	DOOR ASSY. AIR KIT	1	56	20088	STOP, DOOR	1
22	106704-02	FACE WELDMENT	1	57	20089	CLIP, PIVOT	2
23	106948-01	DEFLECTOR, SMOKE	1	58	20090	CLIP, SPRING	2
24	107768-01	INSULATION, FIREPLACE TOP	1	*59	20093	PROTECTOR, EMBER	2
25	107143-01	LABEL, "CAUTION MOVING PARTS"	1	60	20280	SPACER, TOP	4
26	107775-01	PANEL, ACCESS	1	61	21171	COVER, GAS KNOCK-OUT	4
27	108771-01	MANUAL, OWNER'S	1	62	21379	CONDUIT, GAS	2
*28	107779-01	CARTON, FULL	1	63	21380	CONDUIT, GAS	2
*29	107780-01	CARTON, TRAY	1	64	24353	HANDY BOX ASSEMBLY	1
*30	54199	LABEL, GAS KNOCK-OUT	2	*65	27253	LABEL, NOTICE	1
31	108018-01	INSULATION, SURROUND	1	*66	27347	LABEL, ASSEMBLY WARNING	1
32	107854-01	BRACKET, REFRACTORY RIGHT	1	*67	VCBK3E	FAN KIT	1
33	107854-02	BRACKET, REFRACTORY LEFT	1	*68	108852-02	DOOR ASSEMBLY, RIGHT	1
34	11105	SCREW, HEX #10 x 5/8	96	*69	108852-02	DOOR ASSEMBLY, LEFT	1
35	11116	GRATE 36"	1				

* ITEMS NOT SHOWN FOR CLARITY

REPLACEMENT PARTS



ACCESSORY PARTS



VENT KITS - USE FOR MOST COMMON MANUFACTURED (MOBILE) HOME INSTALLATIONS		
CONTENTS	MW8K	MW9K
	8' vent kit	9' vent kit
36-8DM 36" Double Wall Pipe	2	2
24-8DM 24" Double Wall Pipe	1	0
18-8DM 18" Double Wall Pipe	0	2
FST-A Adjustable Firestop Thimble	1	1
V6F-8DM Roof Flashing	1	1
VSC1-8DM Storm Collar	1	1
RTL-8DM Round Cap Termination	1	1

PART NUMBER REFERENCE TABLE*

MODEL	DESCRIPTION	COLEMAN PART #	DESA PART #
BK3	TRIPLE FAN BLOWER KIT	-----	BK3
EP-36	EMBER PROTECTOR	9736-5601	20093
AK-6	OUTSIDE AIR KIT FLOOR INSTALLATION	9736A-2206	90153
AK-6WAI	OUTSIDE AIR KIT WALL INSTALLATION	9736-2306	90156
12-8DM	DOUBLE WALL PIPE, 12" SECTION	9736A1212	12-8DM
18-8DM	DOUBLE WALL PIPE, 18" SECTION	9736A1218	18-8DM
24-8DM	DOUBLE WALL PIPE, 24" SECTION	9736A1224	24-8DM
36-8DM	DOUBLE WALL PIPE, 36" SECTION	9736A1236	36-8DM
48-8DM	DOUBLE WALL PIPE, 48" SECTION	9736A1248	48-8DM
V6F-8DM	ROOF FLASHING, 0 - 6/12 PITCH	9736-5241	V6F-8DM
V12F-8DM	ROOF FLASHING, 6/12 - 12/12 PITCH	9736-5281	V12F-8DM
ADS-8DM	ANTI-DRAFT SHIELD	9436-2400	ADS-8DM
30E-8DM	30 DEG. ELBOW	9736A1238	30E-8DM
GA6053	HOOD, ANTIQUE BRASS FINISH	-----	GA6053
GA6052	HOOD, POLISHED BRASS FINISH	-----	GA6052
GA6050	HOOD, BLACK PAINTED FINISH	-----	GA6050
HE-36	HEARTH EXTENSION - 36"	9736-2136	90192
SC1-8DM	STORM COLLAR (FOR TERMINATION MODEL RTL-8DM)	9736-2241	SC1-1
V3600FS-8DM	FIRESTOP SPACER, 1" CLEARANCE	-----	V3600FS-8DM
FST-A	FIRESTOP THIMBLE	9736A1230	00736
RTL-8DM	8" ROUND TOP TERMINATION	9736-5251	RTL-8DM
ETL-8DM	8" SQUARE TOP TERMINATION	-----	ETL-8DM
FE3602	FACE EXTENSION	-----	FE3602
20745	43" THIMBLE EXTENSION	-----	20745
20746	26" THIMBLE EXTENSION	-----	20746
MW8K	8' VENT KIT	CPMH-A/AC	MW8K
MW9K	9' VENT KIT	CPMH-A/ACB	MW9K

*Part numbers listed on this chart on the same line and identified by the same description are interchangeable and listed as "same as". Each part so listed may be substituted for the other part numbers under that listing.

Free Manuals Download Website

<http://myh66.com>

<http://usermanuals.us>

<http://www.somanuals.com>

<http://www.4manuals.cc>

<http://www.manual-lib.com>

<http://www.404manual.com>

<http://www.luxmanual.com>

<http://aubethermostatmanual.com>

Golf course search by state

<http://golfingnear.com>

Email search by domain

<http://emailbydomain.com>

Auto manuals search

<http://auto.somanuals.com>

TV manuals search

<http://tv.somanuals.com>