



OWNERS MANUAL FOR DeVILBISS GENERATOR

Model No. GBV4600

SPECIFICATION CHART

MODEL	GBV4600
HORSE POWER	9
RATED/SURGE WATTS	4600/5750
VOLTAGE	120/240
AMPERAGE	38.3A/19.2A
PHASE	SINGLE
HERTZ	60 Hz
ENGINE SPEED	3600 RPM
MAX. AMBIENT TEMP.	104° F
FUEL CAPACITY	6 GALLON
RUN TIME @ 50%/100%	13.3/6.5 HR

WARNING

Read Owner's Manual. Do not operate equipment until you have read Owners Manual for Safety, Operation, and Maintenance Instructions.

- **This product is not equipped with a spark arresting muffler.** If the product will be used around flammable materials, or on land covered with materials such as agricultural crops, forest, brush, grass, or other similar items, then an approved spark arrester must be installed and is legally required in the state of California. It is a violation of California statutes section 130050 and/or sections 4442 and 4443 of the California Public Resources Code, unless the engine is equipped with a spark arrester, as defined in section 4442, and maintained in effective working order. Spark arresters are also required on some U. S. Forest service land and may also be legally required under other statutes and ordinances.
- Engine exhaust from this product contains chemicals known, in certain quantities, to cause cancer, birth defects or other reproductive harm.

TABLE OF CONTENTS

	<i>PAGE</i>
WARRANTY STATEMENT	3
SAFETY GUIDELINES AND INSTRUCTIONS	4-8
WATTAGE CALCULATING INSTRUCTIONS	9-10
GENERAL PARTS IDENTIFICATION	11
GROUNDING INSTRUCTIONS/EXTENSION CORDS	12
INSTALLATION OF A GENERATOR	12
OPERATING INSTRUCTIONS	13
MAINTENANCE SCHEDULE	13
MAINTENANCE PARTS LIST	14
TROUBLE SHOOTING GUIDE	14
INSTALLATION OF BATTERY	15

In the unlikely event you should have a problem with this product or if you are missing any parts, it is not necessary to return it to the store where you purchased it. Simply call our toll-free number and talk with our Service Representative.

**OUR OFFICE HOURS ARE FROM
8:00 a.m. to 4:30 p.m. (CST)
MONDAY THROUGH FRIDAY**

CALL TOLL-FREE 1-800-888-2468, EXT. 2

LIMITED WARRANTY

ONE YEAR FROM DATE OF PURCHASE

All merchandise manufactured by DeVilbiss Air Power Company is warranted to be free of defects in workmanship and material which occur during the first year from the date of purchase by the original purchaser (initial user). Products covered under this warranty include: air compressors, *air tools, accessories, service parts, pressure washers, and generators used in consumer applications (i.e., personal residential household usage only).

Air compressors, *air tools, accessories, service parts, pressure washers, and generators used in commercial applications (income producing) are covered by a 90 day warranty.

DeVilbiss Air Power will repair or replace, at DeVilbiss's option, products or components which have failed within the warranty period. Repair or replacement, and service calls on 60 and 80 gallon air compressors, will be handled by Authorized Warranty Service Centers and will be scheduled and serviced according to the normal work flow and business hours at the service center location, and depending on the availability of replacement parts.

All decisions of DeVilbiss Air Power Company with regard to this policy shall be final.

This warranty gives you specific legal rights, and you may also have other rights which vary from state to state.

RESPONSIBILITY OF ORIGINAL PURCHASER (Initial User):

- Retain original cash register sales receipt as proof of purchase for warranty work.
- Use reasonable care in the operation and maintenance of the product as described in the Owners Manual(s).
- Deliver or ship the product to the nearest DeVilbiss Air Power Authorized Warranty Service Center. Freight costs, if any, must be paid by the purchaser.
- Air compressors with 60 and 80 gallon tanks only will be inspected at the site of installation. Contact the nearest Authorized Warranty Service Center, that provides on-site service calls, for service call arrangement.
- If the purchaser does not receive satisfactory results from the Authorized Warranty Service Center, the purchaser should contact DeVilbiss Air Power Company.

THIS WARRANTY DOES NOT COVER:

- Merchandise sold as reconditioned, floor models and/or display models. Any damaged or incomplete equipment sold "as is".
- Merchandise used as "rental" equipment.
- Merchandise that has become inoperative because of ordinary wear, misuse, freeze damage, use of improper chemicals, negligence, accident, improper and/or unauthorized repair or alterations including failure to operate the product in accordance with the instructions provided in the Owners Manual (s) supplied with the product. *Air Tools: O-Rings and driver blades are considered ordinary wear parts, therefore, they are warranted for a period of 45 days from the date of purchase.
- An air compressor that pumps air more than 50% during a one hour period is considered misuse because the air compressor is undersized for the required air demand. Maximum compressor pumping time per hour is 30 minutes.
- Merchandise sold by DeVilbiss Air Power which has been manufactured by and identified as the product of another company. The product manufacturer's warranty will apply.
- Repair and transportation costs of merchandise determined not to be defective.
- Cost associated with assembly, required oil, adjustments or other installation and start-up cost.
- ANY INCIDENTAL, INDIRECT OR CONSEQUENTIAL LOSS, DAMAGE, OR EXPENSE THAT MAY RESULT FROM ANY DEFECT, FAILURE OR MALFUNCTION OF THE PRODUCT.** Some states do not allow the exclusion or limitation of incidental or consequential damages, so the above limitation or exclusion may not apply to you.
- IMPLIED WARRANTIES, INCLUDING THOSE OF MERCHANTABILITY AND FITNESS FOR A PARTICULAR PURPOSE, ARE LIMITED TO ONE YEAR FROM THE DATE OF ORIGINAL PURCHASE.** Some states do not allow limitations on how long an implied warranty lasts, so the above limitations may not apply to you.



213 Industrial Drive • Jackson, TN 38301-9615 • Telephone: 1-800-888-2468 , Ext. 2 • FAX: 1-800-888-9036

Form: SP-100-E - 4/19/95

SAFETY GUIDELINES - DEFINITIONS

This manual contains information that is important for you to know and understand. This information relates to protecting **YOUR SAFETY** and **PREVENTING EQUIPMENT PROBLEMS**. To help you recognize this information, we use symbols to the right. Please read the manual and pay attention to these sections.

⚠ DANGER

URGENT SAFETY INFORMATION - A HAZARD THAT WILL CAUSE SERIOUS INJURY OR LOSS OF LIFE

⚠ CAUTION

Information for preventing damage to equipment.

⚠ WARNING

IMPORTANT SAFETY INFORMATION - A HAZARD THAT *MIGHT* CAUSE SERIOUS INJURY OR LOSS OF LIFE.

NOTE

Information that you should pay special attention to.

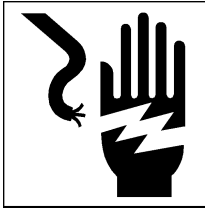
IMPORTANT SAFETY INSTRUCTIONS

- SAVE THESE INSTRUCTIONS •



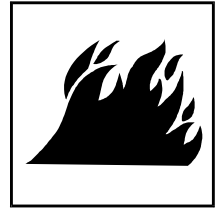
⚠ WARNING

When using this product basic precautions should always be followed including the following:



⚠ DANGER

RISK OF ELECTROCUTION AND FIRE

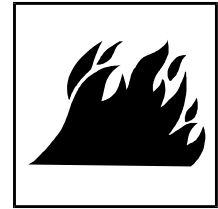


HAZARD	WHAT COULD HAPPEN	HOW TO PREVENT IT
<p>Attempting to connect generator directly to the electrical system of any building structure.</p>	<p>Back feeding electricity through a building's electrical system to the outside utility feed lines could endanger repair persons attempting to restore service.</p> <p>Attempting to connect to the incoming utility service could result in electrocution.</p> <p>Restoration of electrical service while the generator is connected to the incoming utility could result in a fire or serious damage if a isolator switch is not installed.</p>	<p>To connect to a structures electrical system in a safe manner and in compliance with local ordinances, it is necessary to have an isolator switch installed by a qualified electrician.</p>
<p>Inadequate electrical grounding of generator.</p>	<p>The failure of one of the generator's electrical devices, a broken wire, wet surfaces, etc. could result in the entire unit becoming electrically charged. Contact with electrically charged surfaces could result in electrocution.</p>	<p>Make sure that the unit is connected to an appropriate electrical ground, in accordance with the requirement of the National Electric Code. See page 12 for grounding instructions.</p>

**READ AND UNDERSTAND ALL WARNINGS BEFORE
ATTEMPTING TO OPERATE GENERATOR.**

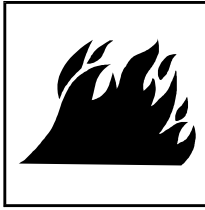
⚠ DANGER

RISK OF ELECTROCUTION AND FIRE (cont'd)



HAZARD	WHAT COULD HAPPEN	HOW TO PREVENT IT
<p>Operation of generator in rain, wet, icy, or flooded conditions.</p>	<p>Water is an excellent conductor of electricity! Water which comes in contact with electricity charged components can transmit electricity to the frame and other surfaces, resulting in electrical shock to anyone contacting them.</p>	<p>Operate generator in a clean, dry, well ventilated area. Make sure hands are dry before touching unit.</p>
<p>Use of worn damaged, undersized or ungrounded extension cords.</p>	<p>Contact with worn or damaged extension cords could result in electrocution.</p> <p>Use of undersize extension cords could result in overheating of the wires or attached items, resulting in fire.</p> <p>Use of ungrounded cordsets could prevent operation of circuit breakers and result in electrical shock.</p>	<p>Inspect extension cords before use and replace with new if required.</p> <p>Use proper size (wire gauge) cordset for application see chart on page 12.</p> <p>Always use electrically grounded cordset.</p>
<p>Placing generator on or against highly conductive surface, such as a steel walkway or metal roof.</p> <p>Improper connection of items to generator.</p> <p>Operation of unit when damaged, or with guards or panels removed.</p>	<p>Accidental leakage of electrical current could charge conductive surfaces in contact with the generator.</p> <p>Exceeding the load capacity of the generator by attaching too many items, or items with very high load ratings to it could result in overheating of some items or their attachment wiring resulting in fire or electrical shock.</p> <p>Attempting to use the unit when it has been damaged, or when it is not functioning normally could result in fire or electrocution.</p> <p>Removal of guarding could expose electrically charged components and result in electrocution.</p>	<p>Place generator on low conductivity surface such as a concrete slab.</p> <p>Read the load rating chart and instructions on page 9. Make sure that the summation of electrical loads for all attachments does not exceed the load rating of the generator.</p> <p>Do not operate generator with mechanical or electrical problem. Have unit repaired by an Authorized Service Center.</p> <p>Do not operate generator with protective guarding removed.</p>

**READ AND UNDERSTAND ALL WARNINGS BEFORE
ATTEMPTING TO OPERATE GENERATOR.**



⚠ WARNING
RISK OF FIRE

HAZARD	WHAT COULD HAPPEN	HOW TO PREVENT IT
Attempting to fill the fuel tank while the engine is running.	Gasoline and gasoline vapors can become ignited by coming in contact with hot components such as the muffler, engine exhaust gases, or from an electrical spark.	Turn engine off and allow it to cool before adding fuel to the tank. Equip area of operation with a fire extinguisher certified to handle gasoline or fuel fires.
Sparks, fire, hot objects	Cigarettes, sparks, fires, or other hot objects can cause gasoline or gasoline vapors to ignite.	Add fuel to tank in well ventilated area. Make sure there are no sources of ignition near the generator.
Improper storage of fuel	Improperly stored fuel could lead to accidental ignition. Fuel improperly secured could get into the hands of children or other unqualified persons.	Store fuel in a container designed to hold gasoline. Store container in secure location to prevent use by others.
Inadequate ventilation for generator	Materials placed against or near the generator can interfere with its proper ventilation features causing overheating and possible ignition of the materials.	Operate generator in a clean, dry, well ventilated area. Keep objects away from unit during operation. DO NOT OPERATE UNIT IN A CONFINED AREA.
Tampering with factory set engine speed settings.	Engine speed has been factory set to provide safe operation. Tampering with the engine speed adjustment could result in overheating of attachments and could cause a fire.	Never attempt to “ speed-up ” the engine to obtain more performance. Both the output voltage and frequency will be thrown out of standard by this practice, endangering attachments and the user.
Overfilling the fuel tank – fuel spillage.	Spilled fuel and its vapors can become ignited from hot surfaces or sparks.	Use care in filling the tank to avoid spilling fuel. Check engine for fuel leaks before starting. Move generator away from refueling area or any spillage before starting engine. Allow for fuel expansion. Keep maximum fuel level 1/4 inch below the top of the fuel tank.

**READ AND UNDERSTAND ALL WARNINGS BEFORE
ATTEMPTING TO OPERATE GENERATOR.**

⚠ DANGER

RISK OF BREATHING - INHALATION HAZARD



HAZARD	WHAT COULD HAPPEN	HOW TO PREVENT IT
Gasoline engines produce toxic carbon monoxide exhaust fumes.	Breathing exhaust fumes will cause serious injury or death.	Operate generator in clean, dry, well ventilated area. Avoid enclosed areas like garages, basements, storage sheds, etc., which lack a steady exchange of air. Never operate unit in a location occupied by humans or animals. Keep children, pets and others away from area of operating



⚠ WARNING

RISK OF UNSAFE OPERATION

HAZARD	WHAT COULD HAPPEN	HOW TO PREVENT IT
Operation of generator in careless manner.	All sources of energy include the potential for injury. Unsafe operation or maintenance of your generator could lead to serious injury or death to you or others.	<ul style="list-style-type: none"> • Review and understand all of the operating instructions and warnings in this manual. • Become familiar with the operation and controls of the generator. Know how to shut it off quickly. • Equip area of operation with a fire extinguisher certified to handle gasoline or fuel fires. • Keep children or others away from the generator at all times.

**READ AND UNDERSTAND ALL WARNINGS BEFORE
ATTEMPTING TO OPERATE GENERATOR.**

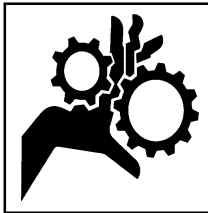
⚠ WARNING



RISK OF HOT SURFACES

HAZARD	WHAT COULD HAPPEN	HOW TO PREVENT IT
Contact with hot engine and generator components.	Contact with hot surfaces, such as engines exhaust components, could result in serious burns.	During operation, touch only the control surfaces of the generator. Keep children away from the generator at all times. They may not be able to recognize the hazards of this product.

⚠ WARNING



RISK OF MOVING PARTS

HAZARD	WHAT COULD HAPPEN	HOW TO PREVENT IT
Contact with moving parts can result in serious injury.	The generator contains parts which rotate at high speed during operation. These parts are covered by guarding to prevent injury.	Never operate generator with guarding or cover plates removed. Avoid wearing loose fitting clothing or jewelry which could be caught by moving parts.

⚠ WARNING



RISK FROM LIFTING

HAZARD	WHAT COULD HAPPEN	HOW TO PREVENT IT
Lifting a very heavy object.	Serious injury can result from attempting to lift too heavy an object.	The generator is too heavy to be lifted by one person. Obtain assistance from others before you try to move it.

WATTAGE CALCULATING INSTRUCTIONS

IMPORTANT

Never exceed the rated capacity of your generator. Serious damage to the generator or appliance could result from an overload.

1. Starting and running wattage requirements should always be calculated when matching a generator's wattage capacity to the appliance or tool.
2. There are two types of electrical appliances that can be powered by your generator:
 - A. Items such as radios, light bulbs, television sets, and microwaves have a "resistive load". Starting wattage and running wattage are the same.
 - B. Items such as refrigerators, air compressors, washer, dryer, and hand tools that use an electrical motor have an "inductive load". Inductive load appliances and tools require approximately 2 to 4 times the listed wattage for **starting** the equipment. This initial load only lasts for a few seconds on start-up but is very important when figuring your total wattage to be used.
 - C. Always start your largest electric motor first, and then plug in other items, one at a time.

DETERMINING WATTAGE REQUIREMENTS

Before operating this generator list all of the appliances and/or tools that are going to operate at the same time. Then determine the starting wattage requirements and the running wattage requirements as follows:

1. First total the running wattage of all appliances and/or tools that will be operated at the same time.

		Running Watts	Starting Watts
Example 1:	Lights	= 100 Watts	0
	Television	= 300 Watts	0
	Slow Cooker	= 250 Watts	0
	TOTAL	= 650 Watts	0

2. Next the starting wattages of any appliances and/or tools that will start and stop during operation.

		Running Watts	Starting Watts
Example 2:	Small Refrigerator	500 Watts	2000 Watts
	TOTAL	= 500 Watts	2000 Watts

3. The running wattage of examples 1 & 2 totals 1150 watts. The starting wattage of the small refrigerator is 2000 watts which is 1500 watts more than the running watts. Take this difference of 1500 starting watts from the refrigerator and add to the total running watts of 1150.

Example 3:		1500 Starting Watts	
		1150 Running Watts	
	TOTAL	=	2650 Total Watts

Generator must have a maximum capacity of at least 2650 watts.

WATTAGE CALCULATING INSTRUCTIONS (cont'd)

STARTING WATTAGE REQUIREMENTS

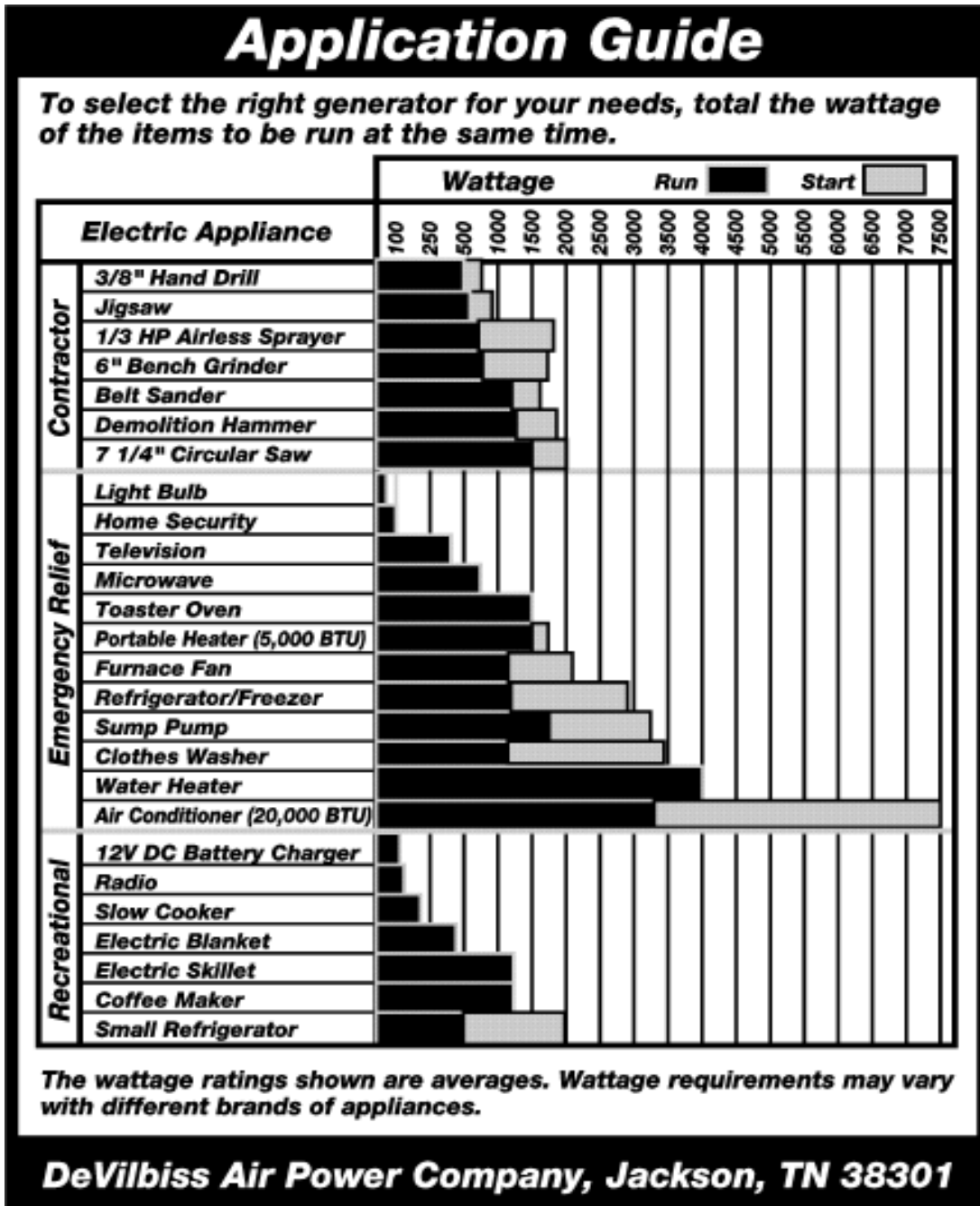
- Some appliances and tools will list on the motor name plate the starting and running voltage and amperage requirements. Use the following formula to convert voltage and amperage to wattage:

$$\text{Volts X Amp} = \text{Watts}$$

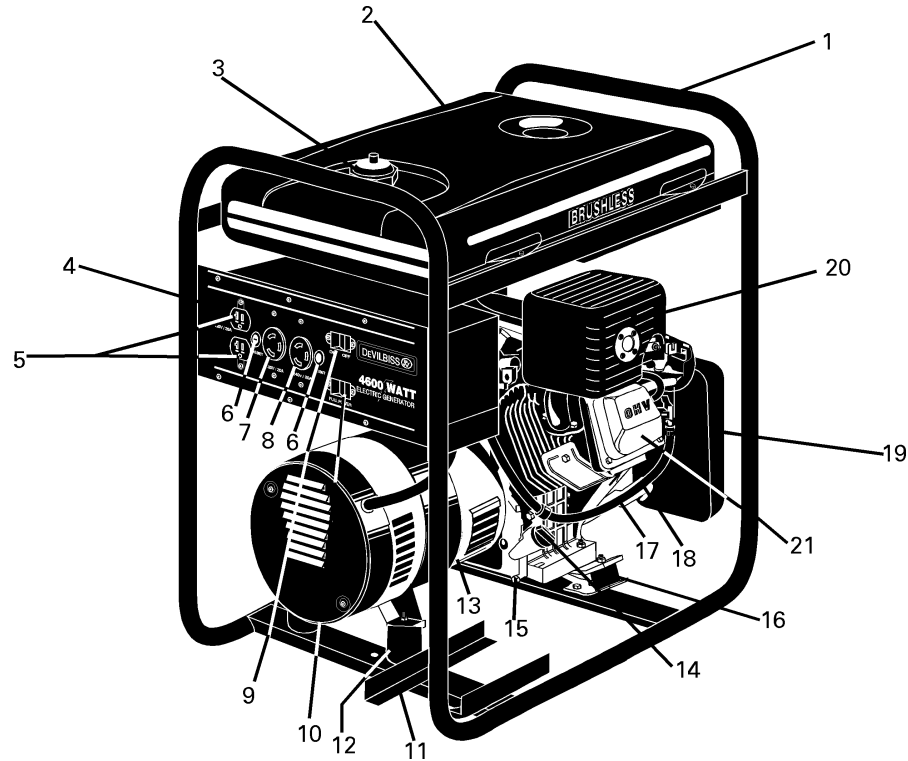
Example 1: (Starting voltage and amperage for 1/3 HP furnace fan)
 120 volts x 10 amps = 1200 watts

$$120 \text{ volts} \times 10 \text{ amps} = 1200 \text{ watts}$$

- To determine the approximate starting wattage requirement for most appliances and tools with inductive type motors, multiply the wattage that was calculated by 2 to 4 times to assure adequate generator capacity. If the nameplate information is not available use the values on the following chart as a guide.
- Remember that the starting and running wattage for resistive loads are the same. (**Example:** a 100 watt light bulb requires only 100 watts to start.) Most resistive loads **will** be listed in wattage.



GENERAL PARTS IDENTIFICATION



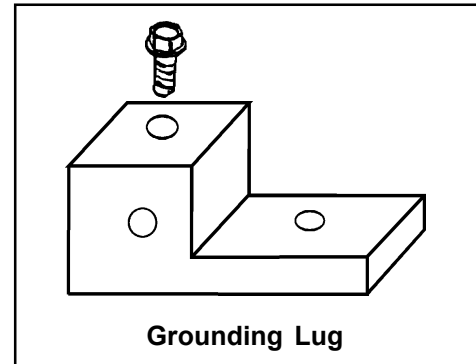
1. **Frame assembly**- Protects generator and engine as well as a means to handle complete unit.
2. **Fuel Tank**- Six (6) gallon capacity.
3. **Fuel Cap**- Remove to check/add fuel.
4. **Cover Panel**- Contains wiring for receptacles, circuit breakers, and control switches.
5. **120V 15 Amp Duplex Receptacle**.
6. **125/250V 20 Amp Circuit Breaker**.
7. **120V 30 Amp Single 3-Prong Twistlock Receptacle**.
8. **240V 20 Amp Single 3-Prong Twistlock Receptacle**.
9. **"Off"/"On"/Start Switch"**- Switch must be set to "On" position to start engine manually, depress "Start" if battery starter is to be used, and in "Off" position to shut engine "Off".
10. **Full Power Switch**- Allows use of 120v only or combination of 120V and 240V use.
11. **Battery Frame**- Holds battery for electrical start.
12. **Vibration Isolator**- Isolators reduce engine vibration to the frame.
13. **Generator Housing**- Houses the electrical generating components.
14. **Oil Filler Cap/Dipstick**- For checking and adding oil.
15. **Oil Drain Plug**- Removal allows oil to be drained/changed in the engine. Refer to the Engine Operator's Manual for maintenance intervals.
16. **Vibration Isolator**- Isolators reduce engine vibration to the frame.
17. **Fuel Shutoff Valve**- Controls flow of fuel to engine.
18. **Fuel Filter**- Filters fuel before entering engine.
19. **Air Filter**- Contains paper type element. Refer to the Engine Operator's Manual for maintenance.
20. **Exhaust Muffler**- (*See Note Below).
21. **9 HP Briggs & Stratton Engine**- Included with this generator is a copy of the Engine Manufacturer's Operator's Manual. See this manual for more detail on the engine.

GROUNDING INSTRUCTIONS/EXTENSION CORDS

GROUNDING INSTRUCTION

This generator should be grounded to help prevent accidental electrical shock. Shown below is a picture of the grounding lug supplied on your generator. Drive a 3/4" or 1" diameter copper pipe or rod into the ground close to the generator set. The pipe must penetrate moist earth. Using #10 gauge wire, connect one end of the wire into the grounding lug. Connect the other end of the wire to the copper pipe or rod using an approved ground clamp.

Your generator is also equipped with a grounding strap. This grounding strap bolts from the base of the gas engine directly to the frame assembly of the generator for an extension cord.



EXTENSION CORDS

When using an appliance or tool at a considerable distance from the generator, a 3-wire extension cord that has a 3-blade grounding plug and a 3-slot receptacle that accepts the tools plug should be used. A cord of adequate size must be used. Using the following chart to determine the minimum wire size required.

There are basically 2 ways to obtain electricity from a generator:

1. Use of extension cords directly from the generator to the appliance, lights, tools, etc.
2. Use of a double-throw transfer switch installed directly to the main electrical supply outside of house. (See installation of generator below).

Extension Cord Wire Gauge Chart		
Cord Length	Wire Gauge Size	Amperage
0 to 100 ft.	12 ga.	*Up to 20 amp draw
0 to 100 ft.	10 ga.	Up to 30 amp draw

***NOTE:** When amperage exceeds 20 amp; a 12 gauge extension cord should not be used for long distances.

⚠ WARNING

An extension cord that is hot to the touch is overloaded. Repair or replace damaged extension cords immediately.

INSTALLATION OF GENERATOR

⚠ WARNING

Potential hazards exist when a portable electric generator is connected to the main electrical supply coming into the house. It is at that point that the electrical generator could feed back into the utility company's system causing possible electrocution of workers who are repairing the electrical lines.

To avoid back feeding of electricity into utility systems, a double-throw transfer switch must be installed between the generator and utility power. The Double-Throw Transfer Switch should be installed by a licensed electrician and in compliance with all state and local electrical codes.

The electrician could also install a sub-panel to isolate the circuits you would want to use during an emergency or electrical power outage. Your generator might not be large enough to handle the load of all the lights, appliances, TV, etc. at one time. To determine the load of each item you will use, refer to page 10.

OPERATING INSTRUCTIONS

BEFORE START UP

Follow the steps listed below before starting generator.

1. Check engine oil. Refer to the Engine Operator's Manual for correct grade and quantity of oil.

⚠ CAUTION

This generator has been shipped from the factory without oil in the crankcase. Operating the unit without oil can ruin the engine.

2. Check fuel level, fill as required. Make sure generator is turned off and has been allowed time to cool down.
3. Make sure generator is grounded.
4. All electrical loads should be disconnected.

IMPORTANT: Unit is equipped with a low oil shutdown system that will stop the engine should the crankcase oil level fall below the safe operating level. If generator shuts off and the oil level is according to specifications, check to see if generator is sitting level. Place on an even surface to correct this.

START UP-(Recoil start)

Do not operate generator indoors-exhaust fumes contain carbon monoxide, an odorless and deadly gas.

1. Open the fuel shut-off valves. It is located in the fuel line.
2. Position ON\OFF\START switch on the control panel to the "ON" position.
3. Move the choke control to "CHOKE" position. A cold engine may require to be choked longer than a warm engine.
4. Grasp handle on rope starter and pull slowly until resistance is felt. Then pull cord rapidly to overcome compression, prevent kickback, and start engine. Repeat if necessary.

NOTE: IF ENGINE OIL LEVEL IS TOO LOW, ENGINE WILL NOT START. CHECK OIL LEVEL AND ADD IF NECESSARY.

5. Open the choke gradually after engine starts. The engine should come up to full operating speed quickly. Do not allow choke to remain on after the engine has run for a short time. Avoid over-choking.
6. Allow generator to run at no load for 5 minutes upon each initial start-up to allow engine and generator to stabilize.

START UP-(Electric start)

1. Repeat steps 1, 2, and 3 listed above in recoil start procedures.
2. Push ON\OFF\START switch on control panel to the "START" position to start engine. Hold in "START" position no longer than 15 seconds per minute when trying to start engine. Extended cranking can damage the starter motor.
3. Repeat steps 5 and 6 listed above.

STOPPING ENGINE

1. Disconnect all electrical loads.
2. Turn on/off switch to "OFF" position.
3. Close both fuel shut-off valves.

STORING GENERATOR

When this generator is going to be stored for more than one month. Follow these instructions.

1. Fill engine oil to upper level.
2. Remove remaining fuel from fuel tank.
3. Start engine and allow it to run until all fuel in lines and carburetor has been used up and the engine stops.
4. Remove the spark plug and pour approximately one teaspoon of engine oil into the cylinder. Pull starter rope slowly to distribute oil. Replace spark plug.
5. Store in a clean dry area.

MAINTENANCE SCHEDULE

MAINTENANCE OPERATION	EVERY 5 HOURS OR DAILY	25 HOURS OR EVERY SEASON	50 HOURS OR EVERY SEASON	100 HOURS OR EVERY SEASON
Check Oil Level	X			
Change Oil *			X NOTE 1	
Change Air Filter		X NOTE 2		
Change Fuel Filter			X	
Replace or Clean Spark Plug				X
Clean exterior of generator				X NOTE 3

***Change oil after first 5 hours then after every 50 hours.**

Note 1: Change oil every 25 hours when operating under heavy load or in high temperatures.

Note 2: Clean more often under dusty conditions.

Note 3: Clean exterior with cloth or brush. Do not use high pressure spray to clean generator or engine.

MAINTENANCE PARTS LIST

Contact the DeVilbiss Air Power Company Customer Service Department
1-800-888-2468 Ext.2
 For Authorized Service Center nearest you

Part No.	Qty.	Description
GS-0231	1	Air Filter
GS-0029	1	Fuel Line
SSP-499	2	Fuel Line Clamps
GS-0027	1	Gas Tank
SSN-51	4	Gas Tank Washers
SSF-990	4	Gas Tank Screws
GS-0028	1	Gas Gap
GS-0033	2	Isolators
GS-0036	2	Isolators
GS-0234	1	Spark Arrester
GA100	1	Wheel/Handle Kit

TROUBLESHOOTING GUIDE

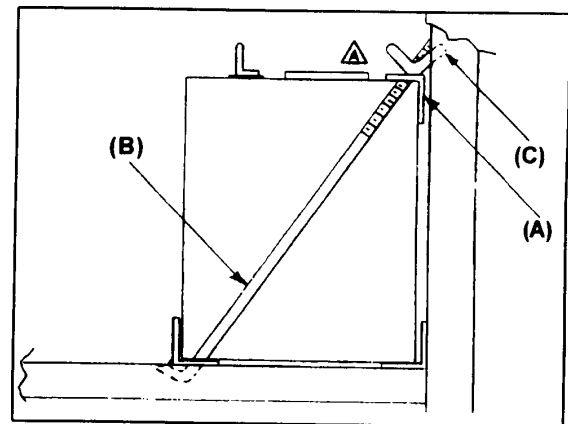
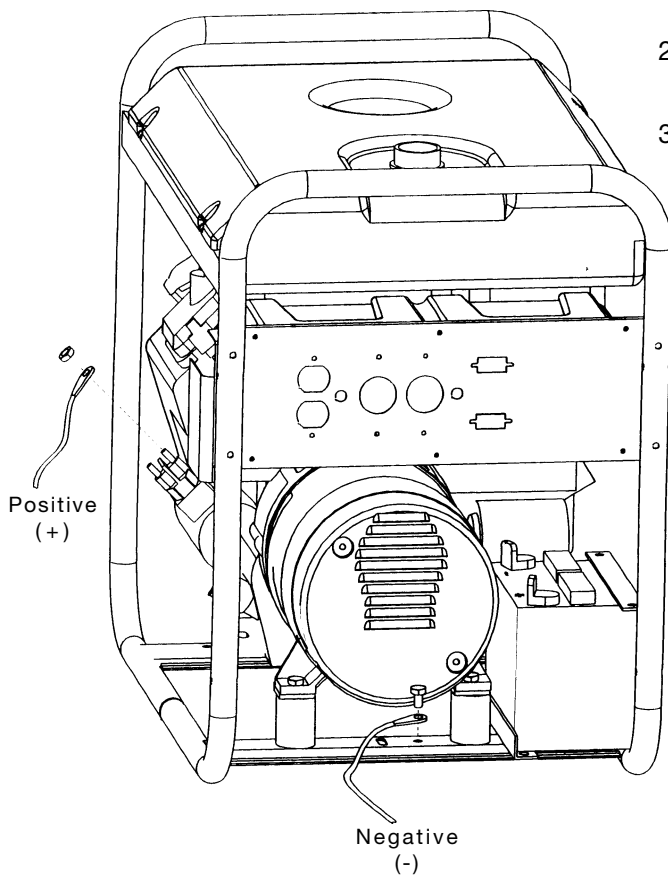
<i>PROBLEM</i>	<i>CAUSE</i>	<i>CORRECTION</i>
Engine will not start	1. Low on fuel or oil. 2. Ignition switch in "Off" position. 3. Faulty spark plug. 4. Choke in wrong position. 5. Fuel shut-off valve in closed position. 6. Unit loaded during start-up. 7. Spark plug wire loose.	1. Add fuel or oil. 2. Turn to "ON" position 3. Replace spark plug. 4. Adjust choke accordingly. 5. Open fuel shut-off valve. 6. Remove load from unit. 7. Attach wire to spark plug.
No electrical output	1. Faulty receptacle. 2. Circuit breaker kicked out. 3. Defective capacitor. 4. Faulty power cord.	1. Replace. 2. Depress and reset. 3. Have Service Center replace capacitor. 4. Repair or replace cord.
Repeated circuit breaker tripping	1. Overload 2. Faulty cords or equipment.	1. Reduce load. 2. Check for damaged, bare, or frayed wires on equipment. Replace.
Generator overheating	1. Generator overloaded. 2. Insufficient ventilation.	1. Reduce load. 2. Move to adequate supply of fresh air.

INSTALLATION OF BATTERY

• Recommended Battery for Electric Start •

Use standard 12 volt 45 amp hour lawn mower battery

1. Place battery in rack with terminals facing towards generator head.
2. Place battery bracket (A) over battery as shown (opposite battery terminals).
3. Place "L" bolt (B) through top and bottom brackets and secure with wing nut (C).



**OWNERS MANUAL
FOR DeVILBISS
GENERATOR**

**MODEL NO.
GBV4600**

**Attach Sales Receipt
Here.**

Retain Original Sales Receipt as Proof of Purchase for Warranty Repair Work.

WARRANTY

This product is covered by the DeVilbiss one year limited warranty (SP-100-E). The warranty can be found on page 3 or is available upon request.

An "Authorized Warranty Service Center Directory" is included with your unit.

When ordering repair parts from your local Authorized Service Center, always give the following information:

- Model number of your compressor
- Part number and description of the item you wish to purchase

If you have any questions or need the location of the nearest Authorized Service Center call our Customer Service Hotline (Toll Free) 1-800-888-2468, Ext 2, Monday thru Friday 8:00 a.m. to 4:30 p.m. (CST) and talk with our Trained Customer Service Representatives.

Free Manuals Download Website

<http://myh66.com>

<http://usermanuals.us>

<http://www.somanuals.com>

<http://www.4manuals.cc>

<http://www.manual-lib.com>

<http://www.404manual.com>

<http://www.luxmanual.com>

<http://aubethermostatmanual.com>

Golf course search by state

<http://golfingnear.com>

Email search by domain

<http://emailbydomain.com>

Auto manuals search

<http://auto.somanuals.com>

TV manuals search

<http://tv.somanuals.com>