

1¹/₂ H.P. Dust Collector

(Model 50-665)

INSTRUCTION MANUAL



Shown with Accessory
Dust Collector Drum

DATED 8-8-99

PART NO. 1342493

Delta International Machinery Corp. 1999

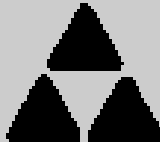
 **DELTA**

TABLE OF CONTENTS

SAFETY RULES	3
IMPORTANT SAFETY RULES FOR DUST COLLECTORS	4
INTRODUCTION	4
UNPACKING	5
ASSEMBLY	6
CONNECTING DUST COLLECTOR TO POWER SOURCE	10
Single Phase Operation	10
ON/OFF SWITCH	10
LOCKING SWITCH IN THE OFF POSITION	11
MAINTENANCE	11
MOTOR MAINTENANCE	11
WARRANTY	12

IMPORTANT SAFETY RULES

Woodworking can be dangerous if safe and proper operating procedures are not followed. As with all machinery, there are certain hazards involved with the operation of the product. Using the machine with respect and caution will considerably lessen the possibility of personal injury. However, if normal safety precautions are overlooked or ignored, personal injury to the operator may result. Safety equipment such as guards, push sticks, hold-downs, featherboards, goggles, dust masks and hearing protection can reduce your potential for injury. But even the best guard won't make up for poor judgment, carelessness or inattention. Always use common sense and exercise caution in the workshop. If a procedure feels dangerous, don't try it. Figure out an alternative procedure that feels safer. REMEMBER: Your personal safety is your responsibility.

This machine was designed for certain applications only. Delta Machinery strongly recommends that this machine not be modified and/or used for any application other than that for which it was designed. If you have any questions relative to a particular application, DO NOT use the machine until you have first contacted Delta to determine if it can or should be performed on the product.

DELTA INTERNATIONAL MACHINERY CORP.
MANAGER OF TECHNICAL SERVICES
246 ALPHA DRIVE
PITTSBURGH, PENNSYLVANIA 15238
(IN CANADA: 644 IMPERIAL ROAD, GUELPH, ONTARIO N1H 6M7)

WARNING: FAILURE TO FOLLOW THESE RULES MAY RESULT IN SERIOUS PERSONAL INJURY

1. FOR YOUR OWN SAFETY, READ INSTRUCTION MANUAL BEFORE OPERATING THE TOOL. Learn the tool's application and limitations as well as the specific hazards peculiar to it.
2. KEEP GUARDS IN PLACE and in working order.
3. ALWAYS WEAR EYE PROTECTION.
4. REMOVE ADJUSTING KEYS AND WRENCHES. Form habit of checking to see that keys and adjusting wrenches are removed from tool before turning it on.
5. KEEP WORK AREA CLEAN. Cluttered areas and benches invite accidents.
6. DON'T USE IN DANGEROUS ENVIRONMENT. Don't use power tools in damp or wet locations, or expose them to rain. Keep work area well-lighted.
7. KEEP CHILDREN AND VISITORS AWAY. All children and visitors should be kept a safe distance from work area.
8. MAKE WORKSHOP CHILDPROOF with padlocks, master switches, or by removing starter keys.
9. DON'T FORCE TOOL. It will do the job better and be safer at the rate for which it was designed.
10. USE RIGHT TOOL. Don't force tool or attachment to do a job for which it was not designed.
11. WEAR PROPER APPAREL. No loose clothing, gloves, neckties, rings, bracelets, or other jewelry to get caught in moving parts. Non-slip footwear is recommended. Wear protective hair covering to contain long hair.
12. ALWAYS USE SAFETY GLASSES. Wear safety glasses. Everyday eyeglasses only have impact resistant lenses; they are not safety glasses. Also use face or dust mask if cutting operation is dusty.
13. SECURE WORK. Use clamps or a vise to hold work when practical. It's safer than using your hand and frees both hands to operate tool.
14. DON'T OVERREACH. Keep proper footing and balance at all times.
15. MAINTAIN TOOLS IN TOP CONDITION. Keep tools sharp and clean for best and safest performance. Follow instructions for lubricating and changing accessories.
16. DISCONNECT TOOLS before servicing and when changing accessories such as blades, bits, cutters, etc.
17. USE RECOMMENDED ACCESSORIES. The use of accessories and attachments not recommended by Delta may cause hazards or risk of injury to persons.
18. REDUCE THE RISK OF UNINTENTIONAL STARTING. Make sure switch is in OFF position before plugging in power cord.
19. NEVER STAND ON TOOL. Serious injury could occur if the tool is tipped or if the cutting tool is accidentally contacted.
20. CHECK DAMAGED PARTS. Before further use of the tool, a guard or other part that is damaged should be carefully checked to ensure that it will operate properly and perform its intended function check for alignment of moving parts, binding of moving parts, breakage of parts, mounting, and any other conditions that may affect its operation. A guard or other part that is damaged should be properly repaired or replaced.
21. DIRECTION OF FEED. Feed work into a blade or cutter against the direction of rotation of the blade or cutter only.
22. NEVER LEAVE TOOL RUNNING UNATTENDED. TURN POWER OFF. Don't leave tool until it comes to a complete stop.
23. DRUGS, ALCOHOL, MEDICATION. Do not operate tool while under the influence of drugs, alcohol or any medication.
24. MAKE SURE TOOL IS DISCONNECTED FROM POWER SUPPLY while motor is being mounted, connected or re-connected.
25. WARNING: The dust generated by certain woods and wood products can be injurious to your health. Always operate machinery in well ventilated areas and provide for proper dust removal. Use wood dust collection systems whenever possible.

IMPORTANT SAFETY RULES FOR DUST COLLECTORS

WARNING: Basic precautions should always be followed when using your dust collector. To reduce the risk of injury, electrical shock or fire, comply with the safety rules listed below:

1. READ and understand the instruction manual before operating the dust collector.
2. DONOT leave the dust collector plugged into the electrical outlet. Unplug dust collector from the outlet when not in use and before servicing, changing bags, unclogging and cleaning.
3. ALWAYS turn the power switch OFF before unplugging the dust collector.
4. WARNING: TO REDUCE THE RISK OF ELECTRICAL SHOCK, do not use on wet surfaces. Do not expose to rain. Store indoors.
5. FOLLOW all electrical and safety codes, including the National Electric Code (NEC) and the Occupational Safety and Health Regulations (OSHA). All electrical connections and wiring should be made by qualified personnel only.
6. DONOT use the dust collector to pick up flammable or combustible liquids, such as gasoline. NEVER use the dust collector near any flammable or combustible liquids.
7. USE the dust collector to pick up wood materials only. DONOT use the dust collector to pick up metal shavings, metal dust, or parts
8. NEVER use the dust collector to dissipate fumes or smoke. NEVER pick up anything that is burning or smoking, such as cigarettes, matches or hot ashes.
9. USE only as described in this manual. USE only accessories recommended by Delta
10. DONOT pull the dust collector by the power cord. NEVER allow the power cord to come in contact with sharp edges, hot surfaces, oil or grease.
11. DONOT unplug the dust collector by pulling on the power cord. ALWAYS grasp the plug, not the cord.
12. DONOT handle the plug or dust collector with wet hands.
13. REPLACE a damaged cord immediately. DONOT use a damaged cord or plug. If the dust collector is not operating properly, or has been damaged, left outdoors or has been in contact with water, return it to an Authorized Service Center for service.
14. DONOT use the dust collector as a toy. DONOT use near or around children.
15. DONOT insert fingers or foreign objects into the dust intake port. Keep hair, loose clothing, fingers, and all body parts away from openings and moving parts of the dust collector.
16. DONOT use the dust collector without the dust collection bag in place and properly secured.
17. ALWAYS use safety gates to cover dust ports when the dust collector is not in use or mounted to a supporting surface for storage.
18. PERIODICALLY INSPECT dust bag for any cuts, rips or tears. NEVER operate the dust collector with a damaged bag or vacuum hose.
19. The dust collector is designed for home use or light commercial duty ONLY!
20. CONNECT dust collector to a properly grounded outlet only. See grounding instructions.

SAVE THESE INSTRUCTIONS

INTRODUCTION

Dust Collectors work by moving large volumes of air at lower suction pressures than vacuum cleaners. Delta dust collectors are not designed to be used as high-suction cleaners; however, they are designed to help maintain clean, safe conditions around dust-creating machines in workshops and factories. The flexible hose furnished with each unit can be connected directly into the woodworking machine.

UNPACKING

Carefully unpack the dust collector from the shipping container and check for any damaged or missing parts. Fig. 2, illustrates the components of the dust collector.



Fig. 2

1. Blower and Motor Assembly
 2. Vacuum Hose
 3. Cylinder
 4. Dust Bag Elbow
 5. Hose Clamps (2)
 6. Dust Bag
 7. Dust Bag Clamp
 8. Hardware for Mounting Inlet Elbows, Includes: 3/8-16 x 1-1/4 Hex Head Screws (2), Flat Washers (4), Lockwashers (2), and Locknuts
 9. Pan Head Screws
 10. Hardware for Mounting Cylinder to Cover, Includes: 1/4-20 x 5/8 Hex Head Screws, Flat Washers, and Locknuts (4 ea.)
 11. Reducer
 12. Inlet Elbows (2)
 13. Gasket Material
 14. Gaskets (2)
 15. Hardware for Mounting Cover to Fan and Blower Assembly, Includes: 5/16-18 x 1-1/4 Flat Washers, Lockwashers, and Locknuts (4 ea.)
- * Safety Grid (not shown)

ASSEMBLY

1 Place gasket (A) Fig. 3, on bottom of motor and blower assembly (B). Align four holes in gasket with holes in motor and blower assembly and assemble cover (C) Fig. 3, to gasket and motor and blower assembly with four hex head screws, flat washers, lockwashers, and locknuts (D).



Fig. 3

2 Fig. 4, illustrates the cover (C) assembled to the underside of motor and blower assembly (B).

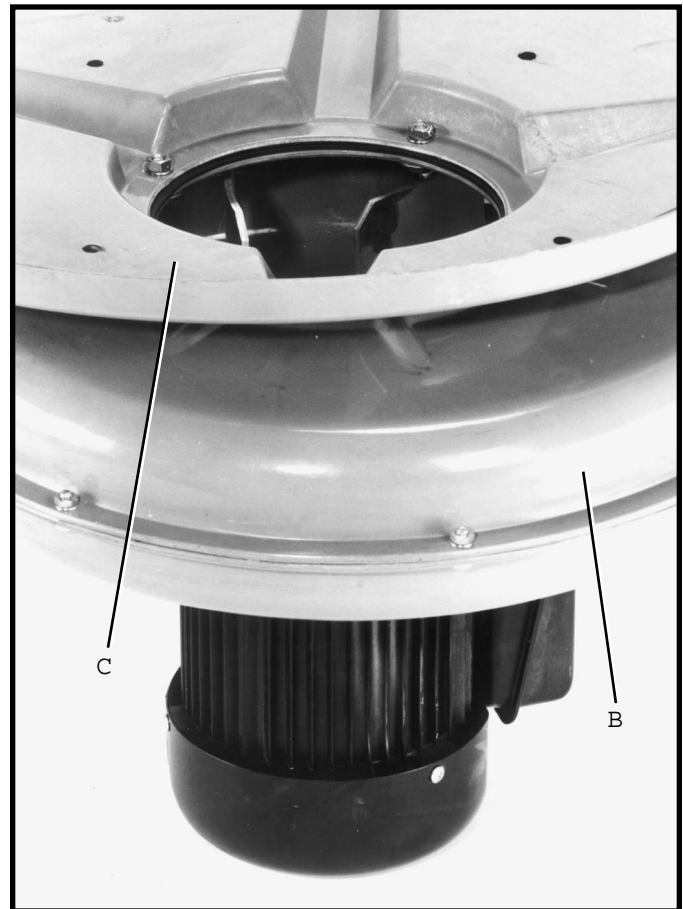


Fig. 4

3 Peel the adhesive paper (E) Fig. 5, from the back of the gasket material (F) and press the gasket material around the underside of the dust collector cover (C). Cut off any excess gasket material.

4 Carefully turn the assembly over. Place gasket (G) Fig. 6, over two holes in cover (C) and secure upper inlet elbow (H) to cover with two 3/8-16 x 1-1/4 hex head screws and flat washers (J), as shown in Fig. 7.

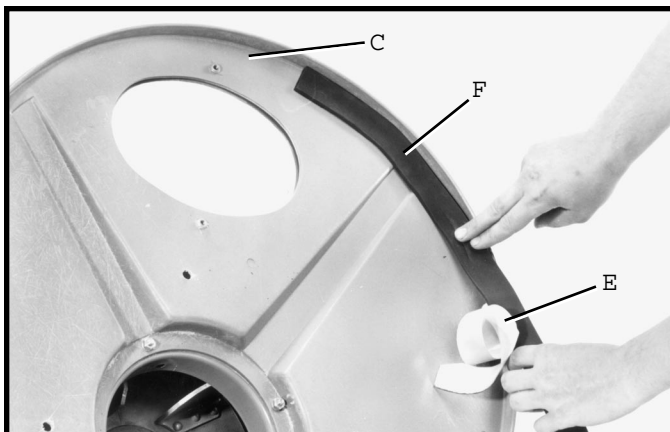


Fig. 5

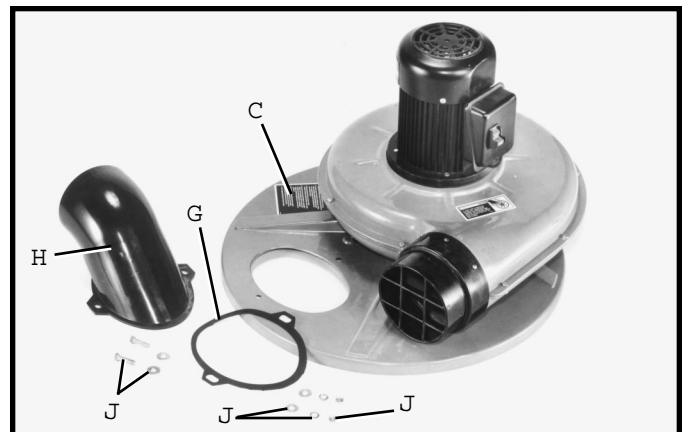


Fig. 6

5. Position the remaining inlet elbow (K) Fig. 8, at the underside of dust collector lid (C) as shown. Align the mounting holes in inlet elbows (K) Fig. 8, with screws (J) assembled to upper inlet elbow (H) shown in Fig. 7, STEP 4, and fasten the upper and lower inlet elbows to the cover with remaining two flat washers, lockwashers, and locknuts (J) Figs. 7 and 8.



Fig. 7

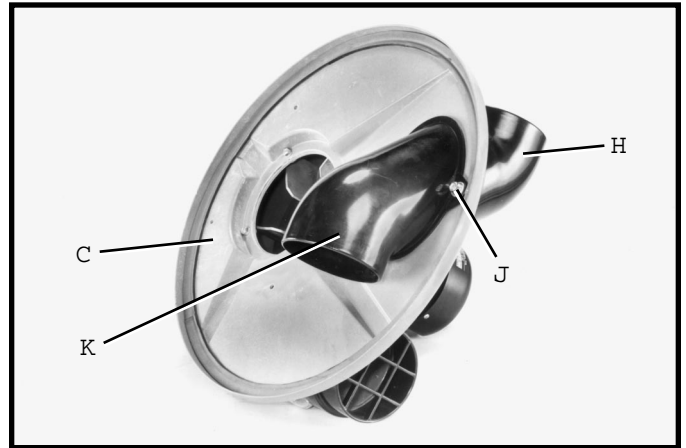


Fig. 8

6. Place the sheet metal cylinder (L) Fig. 9, onto the underside of the cover. Align four holes in cylinder bracket, three of which are shown at (M), with four holes (N) in the underside of cover and fasten with four 1/4-20 x 5/8 hex head screws, lockwashers, and locknuts (P) Fig. 10. NOTE: Assemble screws from the top of the lid downward. CAUTION: Sheet metal cylinder (L) is extremely sharp; use protective gloves when assembling the sheet metal to the underside of the lid.

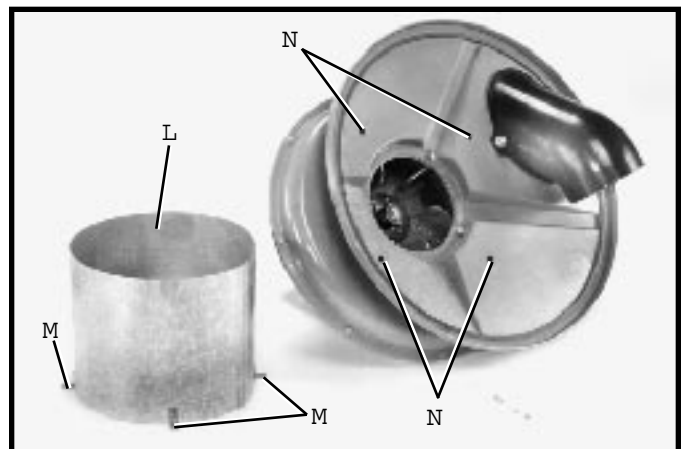


Fig. 9

7. Assemble safety grid (V) Fig. 11, over metal cylinder (L) and fasten grid to cylinder with three pan head screws (W) as shown in Fig. 12.

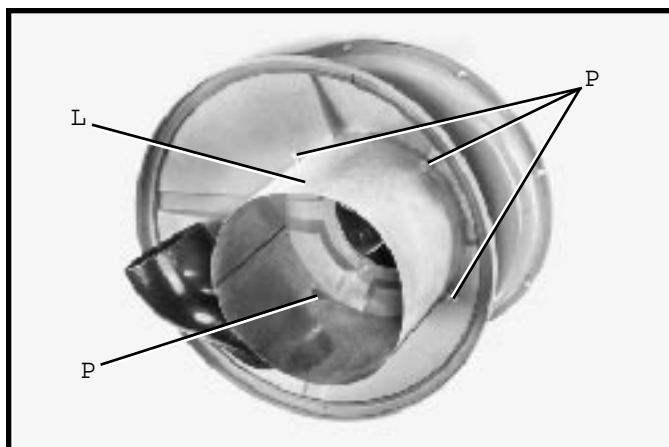


Fig. 10

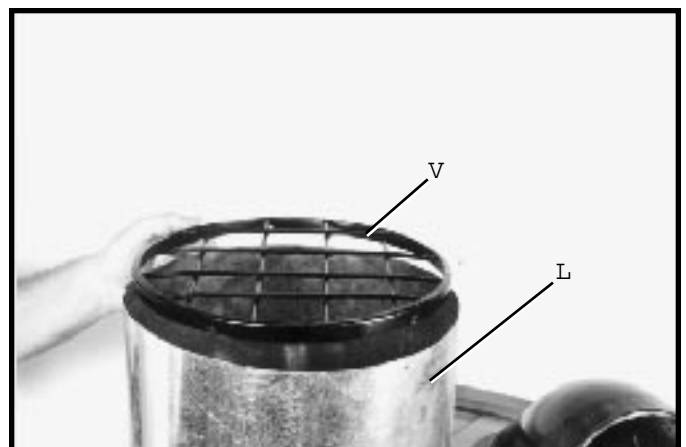


Fig. 11

CAUTION: Never remove safety grid for any reason except to perform maintenance procedures. There is a high speed blower wheel inside the blower housing that can amputate fingers, grab loose clothing or neckties. Make certain the dust collector is disconnected from the power source before performing any maintenance procedures.

8 Place the entire blower and motor assembly (C) Fig. 13, into collection drum (R) (not supplied).

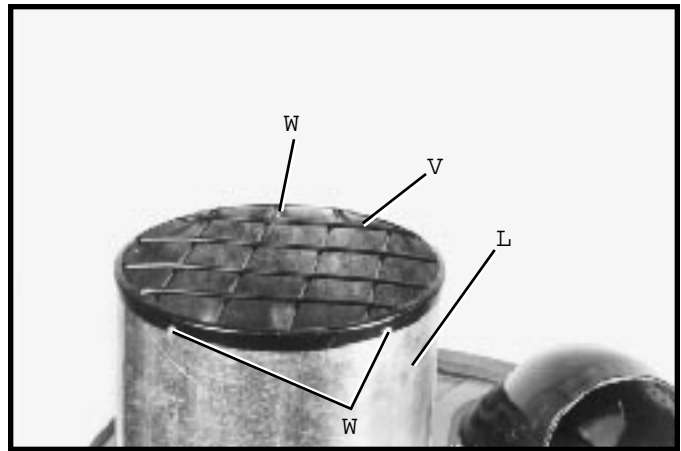


Fig. 12



Fig. 13

WARNING: The dust collector has a safety guard (P) Fig. 14, at the blower housing of the dust collector, which contains a high speed radial blade that can amputate fingers, grab loose clothing and neckties, or propel dust at high velocities. This guard is for your safety. DO NOT REMOVE THIS GUARD FOR ANY REASON!

9 Place the bag elbow (V) Fig. 14, over the dust discharge port (T). Align three holes in bag elbow with three mounting holes in dust discharge port (T) and fasten bag elbow (V) to discharge port (T) with three sheet metal screws (Y) Figs. 14 and 15, two of which are shown.

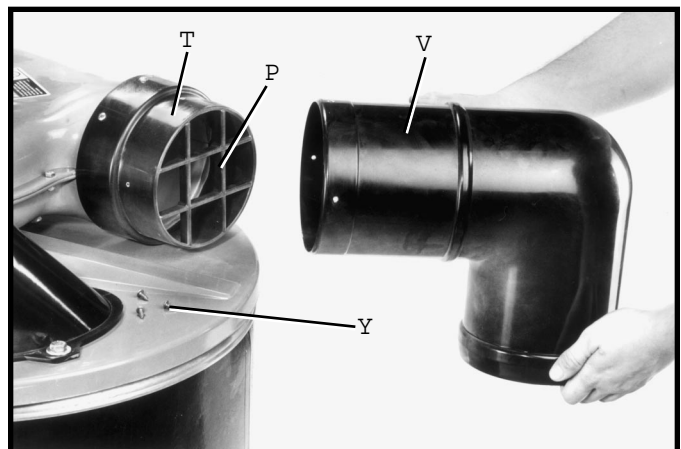


Fig. 14



Fig. 15

10. Insert the bag clamp (Z) Fig. 16, through the loops of the dust bag (A).

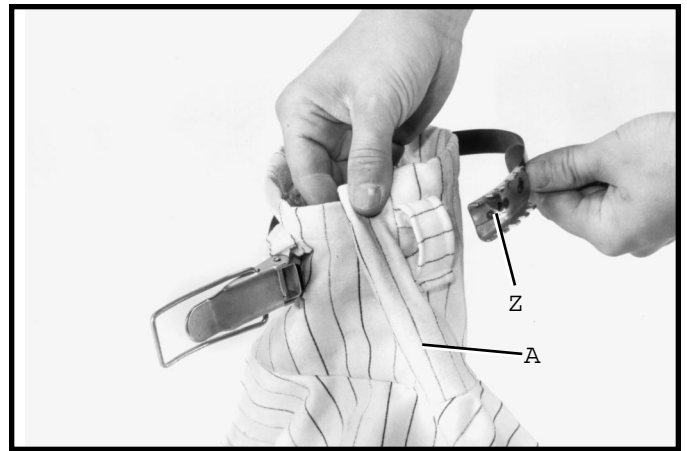


Fig. 16

11. Clamp dust bag (A) Fig. 17, to bag elbow (V) as shown by fastening bag clamp (Z).

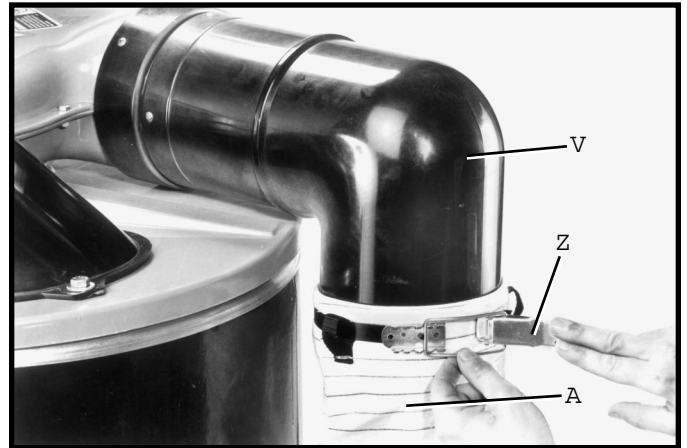


Fig. 17

12. Assemble reducer (B) Fig. 18, over the end of inlet elbow (H).

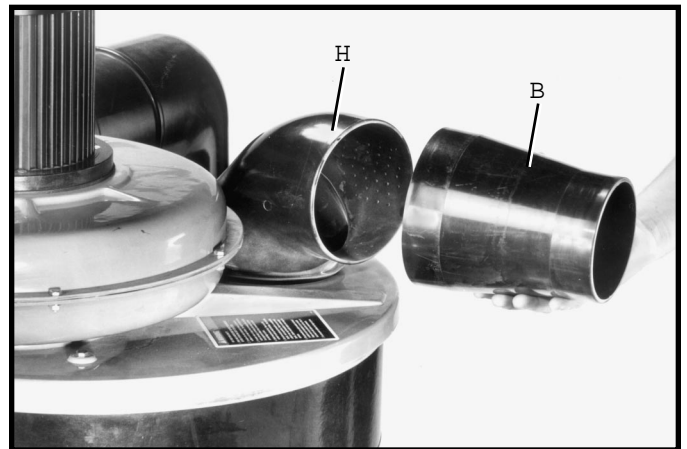


Fig. 18

13. Assemble hose clamp (C) Fig. 19, over one end of hose (D). Assemble hose (D) onto reducer (B) and tighten clamp (C) to hold hose onto reducer.

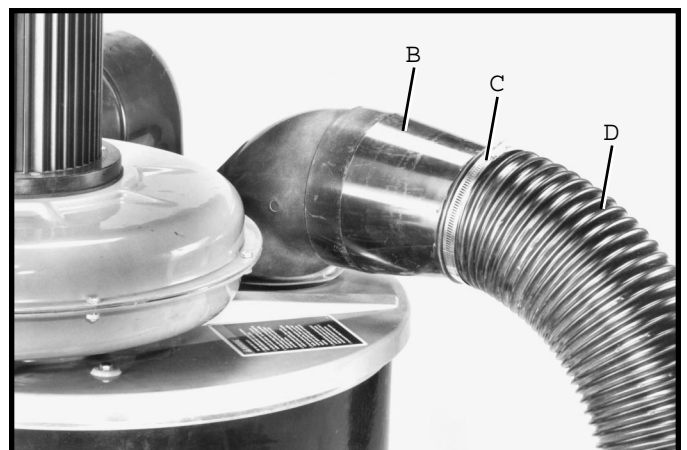


Fig. 19

CONNECTING DUST COLLECTOR TO POWER SOURCE

Before connecting your dust collector to an electrical power system, be sure the motor rating agrees with the electrical system it is to be connected to.

SINGLE PHASE OPERATION

If the motor on your dust collector is wired for 115 V_{olt}, single phase, the power cord is equipped with a plug that has two flat, parallel current-carrying prongs, and one longer round or U shaped ground prong which requires a mating 3-conductor grounded type receptacle, as shown in Fig. 20.

If the motor on your dust collector is wired for 230 V_{olt}, single phase, the power cord is equipped with a plug that has two flat, current-carrying prongs in tandem, and one round or U shaped longer ground prong. This is used only with the proper mating 3-conductor grounding type receptacle, as shown in Fig. 21.

When the three-prong plug on your dust collector is plugged into a grounded 3-conductor receptacle, the long ground prong on the plug contacts first so the machine is properly grounded before electricity reaches it.

CAUTION: IN ALL CASES, MAKE CERTAIN THE RECEPTACLE IN QUESTION IS PROPERLY GROUNDED. IF YOU ARE NOT SURE, HAVE A CERTIFIED ELECTRICIAN CHECK THE RECEPTACLE.

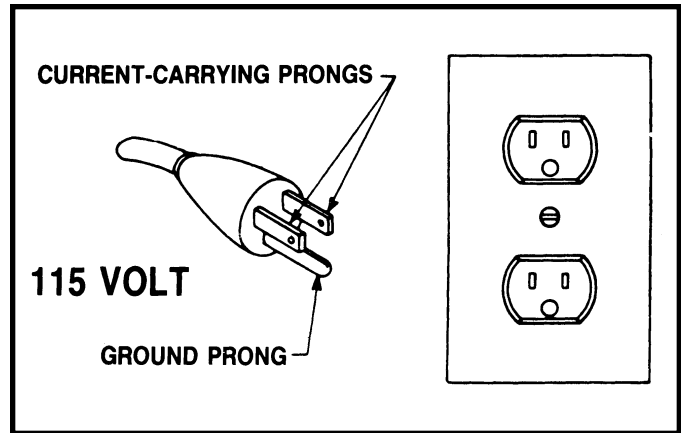


Fig. 20

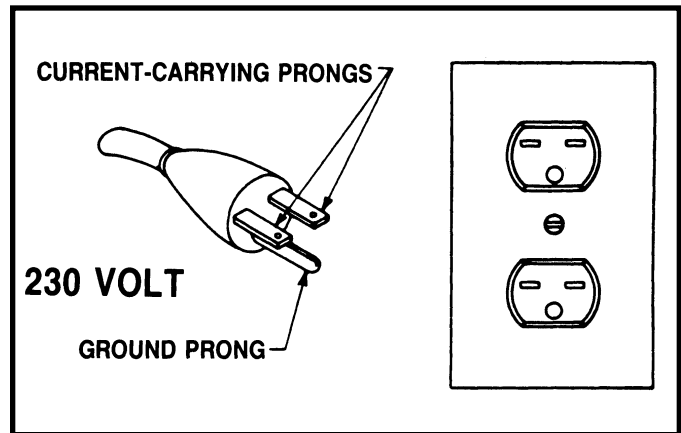


Fig. 21

ON/OFF SWITCH

The ON/OFF switch is conveniently located on the side of the motor. To turn the dust collector ON push the switch (A) Fig. 22, upward to the ON position. To turn the dust collector OFF, push the switch down to the OFF position.

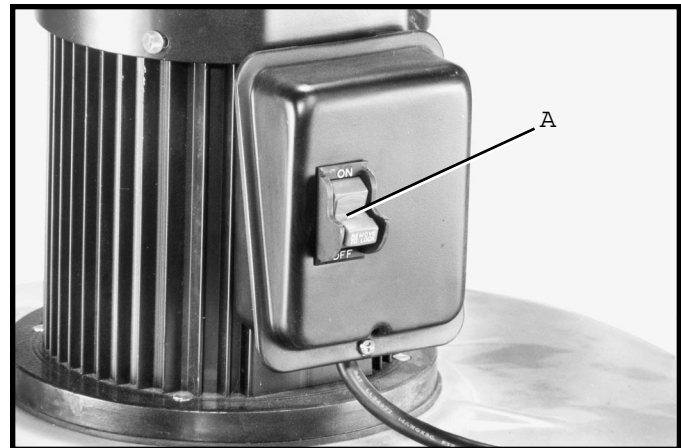


Fig. 22

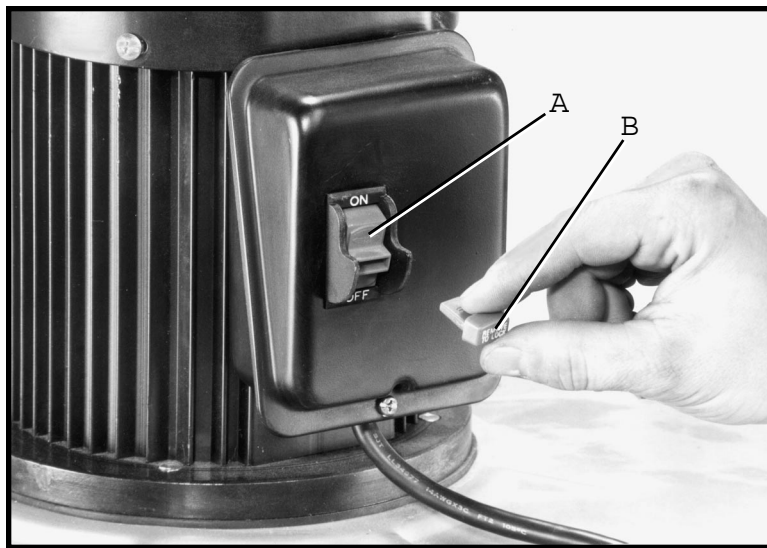


Fig. 23

LOCKING SWITCH IN THE OFF POSITION

We suggest when the dust collector is not in use that the ON/OFF switch be locked in the OFF position. This can be done by grasping the switch toggle (B) Fig. 23, and pulling it out of the switch (A) as shown. With the switch toggle (B) removed, the switch will not operate. However, should the switch toggle (B) Fig. 23, be removed while the machine is running, it can be turned OFF, but cannot be restarted without inserting the switch toggle (B) back into the switch.



Fig. 24

MAINTENANCE

NOTE: MAKE CERTAIN THE MACHINE IS DISCONNECTED FROM THE POWER SOURCE.

The dust bag furnished with the dust collector features a zippered opening for fast and easy dust removal, as shown in Fig. 24. IMPORTANT: The operator performing this cleaning function should always wear eye protective goggles. The aluminum blower impeller and all sheet metal fittings are maintenance-free and should not require any maintenance during the life of the unit.

MOTOR MAINTENANCE

Removing dust and dirt: Blow off the motor with low pressure air to remove dust or dirt. Air pressure above 50 P.S.I. should not be used as high pressure may damage insulation. IMPORTANT: The operator performing this cleaning function should always wear eye protective goggles. Dust can cause excessive insulation temperatures.



Delta Building Trades and Home Shop Machinery Two Year Limited Warranty

Delta will repair or replace, at its expense and at its option, any Delta machine, machine part, or machine accessory which in normal use has proven to be defective in workmanship or material, provided that the customer returns the product prepaid to a Delta factory service center or authorized service station with proof of purchase of the product within two years and provides Delta with reasonable opportunity to verify the alleged defect by inspection. Delta may require that electric motors be returned prepaid to a motor manufacturer's authorized station for inspection and repair or replacement. Delta will not be responsible for any asserted defect which has resulted from normal wear, misuse, abuse or repair or alteration made or specifically authorized by anyone other than an authorized Delta service facility or representative. Under no circumstances will Delta be liable for incidental or consequential damages resulting from defective products. This warranty is Delta's sole warranty and sets forth the customer's exclusive remedy, with respect to defective products; all other warranties, express or implied, whether of merchantability, fitness for purpose, or otherwise, are expressly disclaimed by Delta.

Free Manuals Download Website

<http://myh66.com>

<http://usermanuals.us>

<http://www.somanuals.com>

<http://www.4manuals.cc>

<http://www.manual-lib.com>

<http://www.404manual.com>

<http://www.luxmanual.com>

<http://aubethermostatmanual.com>

Golf course search by state

<http://golfingnear.com>

Email search by domain

<http://emailbydomain.com>

Auto manuals search

<http://auto.somanuals.com>

TV manuals search

<http://tv.somanuals.com>