

COBY®



For series /
Para la serie /
Pour la série

CSMP175

EN

Vitruvian™ Sound System for iPod® & iPhone®

Instruction Manual Page 2

ES

Sistema Sonore Vitruvian™ para iPod® & iPhone®

Manual de Instrucciones..... Pagina 22

FR

Système Sonore Vitruvian™ pour iPod® & iPhone®

Manuel D'instruction Page 42

Please read carefully before use • Léa el manual antes de usar • Veuillez lire ce livret avant utilisation

↘ Table of Contents

THANK YOU	4
Package Contents	4
Features.....	4
CSMP175 AT A GLANCE	5
Main Unit	5
Remote Control.....	7
About the Remote Control Battery	9
GETTING STARTED	10
Connections	10
Connecting Power	10
Connecting an iPod® or iPhone®	10
Connecting an Auxiliary Device	11
Basic Controls	11
USING IPOD®/IPHONE® MODE	12
Controls	12
Browsing iPod/iPhone Menus with the Remote	13
Rotating the Dock.....	13

USING AUX MODE	14
Controls	14
SPECIFICATIONS	15
SUPPORT	16
SAFETY & REGULATORY STATEMENTS	17

↘ Thank You

Thank you for purchasing a Coby® CSMP175 Vitruvian™ Sound System for iPod® and iPhone®. Please read this manual carefully before using this device and retain it for future reference.

Package Contents

- ✦ CSMP175
- ✦ Power adapter
- ✦ Remote control
- ✦ 3.5mm auxiliary cable
- ✦ Instruction manual

If any of the above items are missing, please contact the dealer from whom you purchased this product.



This package may contain plastic bags or other materials that pose a hazard to children. Be sure to safely dispose of all packing materials after opening.

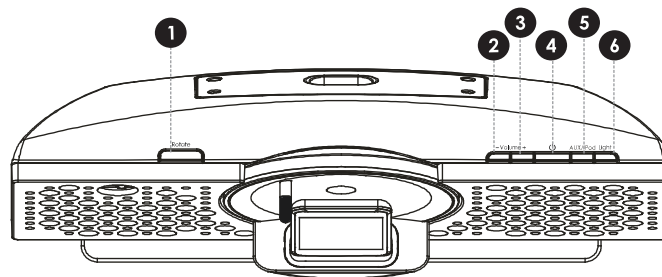
Features

- ✦ Premium sound system designed for iPod® & iPhone®
- ✦ Built-in Universal dock charges and plays your iPod/iPhone
- ✦ One-touch dock rotation lets you browse with Cover Flow or watch movies in landscape mode
- ✦ Bass Boost circuitry for low end frequency enhancement
- ✦ Supports iPod shuffle and other portable players with a 3.5mm audio connection
- ✦ Adjustable ambient lighting

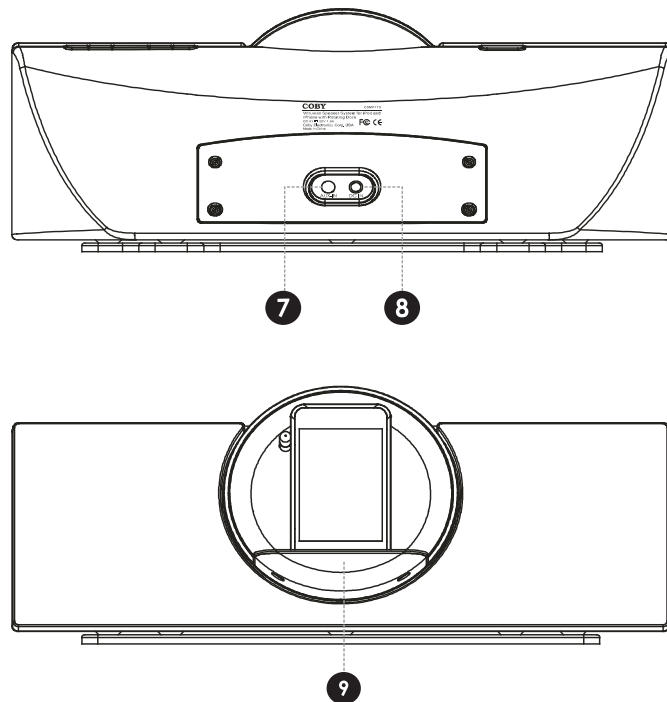
↘ CSMP175 at a Glance

Main Unit

1	[Rotate]	Press to rotate the dock.
2	[Volume -]	Press to decrease the volume level.
3	[Volume +]	Press to increase the volume level
4	[Power]	Press to turn the unit on or off.
5	[AUX/iPod]	Press to switch between AUX and iPod modes.
6	[Light]	Press to increase or decrease the intensity of the background light.



7	AUX IN	3.5mm auxiliary connector. Use a 3.5mm auxiliary cable to connect portable audio devices with a 3.5mm headphone output (e.g., iPod shuffle, Coby MP3 players).
8	DC IN	Power connector. Use the AC adapter to connect to an AC 100-240V power outlet.
9	Universal Dock	Dock for iPod® and iPhone®. Connector for your compatible iPod or iPhone.

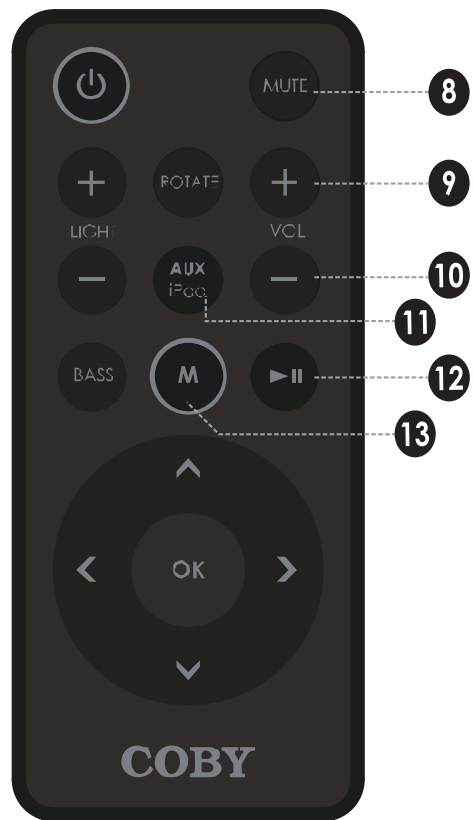


Remote Control

1	[POWER]	Press to turn the unit on or off.
2	[ROTATE]	Press to rotate the dock.
3	[LIGHT +]	Press to increase the intensity of the background light.
4	[LIGHT -]	Press to decrease the intensity of the background light.
5	[BASS]	Press to turn the Bass Boost enhancement on or off.
6	[LEFT]	Press to skip to the previous track. Hold to scan in reverse quickly through the current track.
	[RIGHT]	Press to skip to the next track. Hold to scan forward quickly through the current track.
	[UP]	Use to browse iPod® or iPhone® menus.
	[DOWN]	
7	[OK]	Press to enter an iPod or iPhone menu selection.



8	[MUTE]	Press to disable or enable speaker output.
9	[VOL +]	Press to increase the volume level.
10	[VOL -]	Press to decrease the volume level.
11	[AUX/iPod]	Press to switch between AUX and iPod modes.
12	[Play/Pause]	Press to start or pause iPod or iPhone playback.
13	[M]	Press to access the iPod or iPhone menu, or to return to a previous screen.

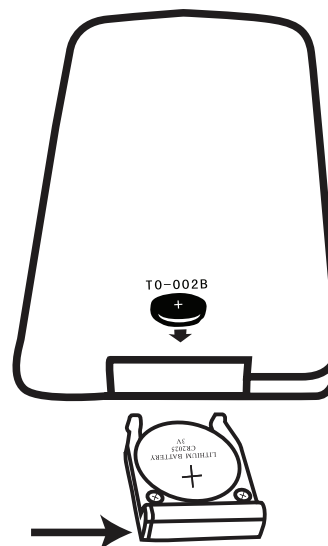


About the Remote Control Battery

The remote control is powered by one (1) CR2025-type battery. Before using the remote, be sure to remove the plastic protective tab from the battery compartment.

To replace the battery:

1. Squeeze the tab of the battery compartment to the right while drawing the compartment out.
2. Remove the battery and replace it with a new "CR2025" lithium battery.
3. Replace the compartment.



↘ Getting Started

Connections

Connecting Power

This unit is powered by an AC adapter.

Connect one end of the included AC adapter to an AC 100-240V ~50/60Hz mains outlet. Connect the other end to the DC IN connector located on the rear of the unit.



Do not connect the power adapter to a power outlet other than that which is indicated here or on the label as this may result in the risk of fire or electric shock.

Do not handle the power plug with wet hands. Doing so may cause electric shock.

Connecting an iPod® or iPhone®

- ✦ If you have a compatible iPod or iPhone, you can play it through the speakers of the CSMP175.
- ✦ Compatible iPod/iPhone models are listed in the Specifications section of this manual.



For the latest product information and specifications, please visit the Coby Electronics website at www.cobyusa.com.

To connect your iPod/iPhone:

1. If you have a dock adapter cartridge, seat the adapter firmly in the Universal Dock.
2. Plug your compatible iPod/iPhone into the Universal Dock.



Dock adapters are provided by Apple with their recent iPod models.

Compatible iPod or iPhone models will be charged when connected.

Connecting an Auxiliary Device

If you have an audio device with a 3.5mm headphone out or line-out jack, you can play it through the speakers of the CSMP175.

To connect your auxiliary audio device:

1. Connect one end of a 3.5mm auxiliary cable to the headphone out/line-out jack of the audio device.
2. Connect the other end of the cable to AUX IN connector located on the rear of the CSMP175.

Basic Controls

To do this...	...do this.
Turn the unit on or off	Press [POWER]
Change between iPod/iPhone and AUX playback mode	Press [AUX/iPod]
Adjust the volume level	Press [VOL +] or [VOL -]
Start, pause, or resume iPod/iPhone playback	Press [Play/Pause]
Rotate the dock	Press [ROTATE]



When the unit is in iPod mode, you may use the controls of your iPod/iPhone directly.

↘ Using iPod® /iPhone® Mode

To listen to your iPod or iPhone, simply place your iPod/iPhone in the Universal Dock.

- ✦ The CSMP175 will turn on automatically.
- ✦ Music on the iPod/iPhone will start playing automatically.



Press [Play/Pause] to start music playback if it does not start automatically.

Controls

When an iPod/iPhone is connected to the Universal Dock and the CSMP175 is in iPod mode, the following controls are available.

Remote Key	Function
[Play/Pause]	Start or pause/resume playback.
[RIGHT]	Skip to the next track.
[LEFT]	Skip to the previous track.

Remote Key	Function
Hold [RIGHT]	Scan forward quickly through the current track.
Hold [LEFT]	Scan in reverse quickly through the current track.
[VOL +]	Increase the volume level.
[VOL -]	Decrease the volume level.
[MUTE]	Disable or enable speaker output.
[BASS]	Turn the Bass Boost enhancement on or off.
[ROTATE]	Rotate the dock.
[AUX/iPod]	Press to switch between AUX and iPod modes.

Browsing iPod/iPhone Menus with the Remote

Some functions of your iPod/iPhone can be controlled with the CSMP175 remote control.

Remote Key	Function
[M]	Press to access the iPod/iPhone menu, or return to a previous screen.
[UP]	Use to browse iPod® or iPhone® menus.
[DOWN]	
[OK]	Press to enter an iPod or iPhone menu selection.



For iPod touch and iPhone models, you may need to start the Music/Video player application before the remote controls will work.

Rotating the Dock

Rotate the dock horizontally to view your compatible iPod touch or iPhone in landscape position.

- ✦ Press [ROTATE] to rotate the dock to landscape position.
- ✦ Press [ROTATE] again to return the dock to its normal, vertical position.

When your iPod/iPhone is in landscape position, you may:

- ✦ Browse your media collection with Cover Flow
- ✦ View album art
- ✦ Watch videos

Using AUX Mode

To listen to an auxiliary device, use a 3.5mm auxiliary cable to connect it to the CSMP175.

1. Press [POWER] to turn on the CSMP175.
2. Start playback on the auxiliary device.
3. Press [AUX/iPod] to set the CSMP175 to AUX mode.



The auxiliary device must have a 3.5mm headphone out or line-out connection. Examples of an auxiliary device are iPod® shuffle and Coby® MP3/MP4 players.

Controls

When the CSMP175 is in AUX mode, the following controls are available.

Remote Key	Function
[VOL +]	Increase the volume level.
[VOL -]	Decrease the volume level.
[MUTE]	Disable or enable speaker output.
[BASS]	Turn the Bass Boost enhancement on or off.
[ROTATE]	Rotate the dock.
[AUX/iPod]	Press to switch between AUX and iPod modes.



Use the controls of the auxiliary device directly to control playback.

↓ Specifications

Please visit www.cobyusa.com for the latest product information. Design, specifications, and manual are subject to change without notice.

Speaker Output (RMS)	10W x 2
Frequency Response	40 – 20,000Hz
Impedance	4Ω
Aux Input	3.5mm stereo
Power	Input: AC 100-240V ~50/60Hz
	Output: DC 20V, ~1.8A
	Remote: CR2025 battery x 1
Unit Dimensions (LWH)	4.4 x 15.9 x 6.2 in.

Made for*	iPhone 3GS iPhone 3G iPhone iPod classic iPod touch iPod touch 2G iPod nano iPod nano 2G iPod nano 3G iPod nano 4G iPod nano 5G iPod 5G iPod photo iPod 4G iPod 3G iPod mini
-----------	---

* Please visit www.cobyusa.com for the latest iPod/iPhone compatibility information.





Support

If you have a problem with this device, please check our website at www.cobyusa.com for Frequently Asked Questions (FAQ) and product updates. If these resources do not resolve the problem, please contact Technical Support.

Address	Coby Electronics Technical Support 150 Knowlton Way Savannah, Georgia 31407
Email	techsupport@cobyusa.com
Web	www.cobyusa.com
Phone	800-727-3592 Monday to Friday, 8:30AM–9:00PM EST Saturday, 9:00 AM–5:30PM EST 718-416-3197 Monday to Friday, 8:00AM–5:30PM EST

↘ Safety & Regulatory Statements

	CAUTION WARNING: SHOCK HAZARD. DO NOT OPEN. AVIS: RISQUE DE CHOC ELECTRIQUE. NE PAS OUVRIR	
CAUTION: TO REDUCE THE RISK OF FIRE AND ELECTRIC SHOCK, DO NOT REMOVE THE COVER (OR BACK) OF THE UNIT. REFER SERVICING ONLY TO QUALIFIED SERVICE PERSONNEL.		



The lightning flash with arrowhead symbol within an equilateral triangle is intended to alert the user to the presence of uninsulated "dangerous voltage" within the product's enclosure that may be of sufficient magnitude to constitute a risk of electric shock.



The exclamation point within an equilateral triangle is intended to alert the user to the presence of important operation and servicing instructions in the literature accompanying the appliance.



For recycling or disposal information about this product, please contact your local authorities or the Electronics Industries Alliance: www.eiae.org.

For Customer Use:

Enter below the serial number that is located on the rear of the unit. Retain this information for future reference.

Model No. _____

Serial No. _____

WARNING: To prevent fire or shock hazard, do not expose this device to rain or moisture. Dangerous high voltage is present inside the enclosure. Do not open the cabinet.

CAUTION: To prevent electric shock, match wide blade of plug to wide slot of outlet and fully insert.

NOTE: This product contains electrical or electronic materials. The presence of these materials may, if not disposed of properly, have potential adverse effects on the environment and human health. Presence of this label on the product means it should not be disposed of as unsorted waste and must be collected separately. As a consumer, you are responsible for ensuring that this product is disposed of properly.

FCC Statement:

This device complies with Part 15 of the FCC Rules. Operation is subject to the following two conditions:

- (1) This device may not cause harmful interference, and
- (2) This device must accept any interference received, including interference that may cause undesired operation.

Note: This equipment has been tested and found to comply with the limits for Class B digital devices, pursuant to Part 15 of the FCC rules. These limits are designed to provide reasonable protection against harmful interference in a residential installation. This equipment generates, uses and can radiate radio frequency energy and, if not installed and used in accordance with the instructions, may cause harmful interference to radio communications. However, there is no guarantee that interference will not occur in a particular installation. If this equipment does cause harmful interference to radio or television reception, which can be determined by turning the equipment off and on, the user is encouraged to try to correct the interference by one or more of the following measures:

- Reorient or relocate the receiving antenna.
- Increase the separation between the equipment and receiver.
- Connect the equipment into an outlet on a circuit different from that to which the receiver is connected.
- Consult the dealer or an experienced radio/TV technician for help

Use of shielded cable is required to comply with Class B limits in Subpart B of Part 15 of the FCC rules.

Do not make any changes or modifications to the equipment unless otherwise specified in the manual. If such changes or modifications should be made, you could be required to stop operation of the equipment.

Warnings and Precautions

To prevent any injuries, the following safety precautions should be observed in the installation, use, servicing and maintenance of this equipment. Before operating this equipment, please read this manual completely, and keep it nearby for future reference.

Important Safety Instructions

1. **Read Instructions:** All the safety and operating instructions should be read before the product is operated.
2. **Retain Instructions:** The safety and operating instructions should be retained for future reference.
3. **Heed Warnings:** All warnings on the product and in the operating instructions should be adhered to.
4. **Follow Instructions:** All operating and usage instructions should be followed.
5. Do not place the equipment on uneven or unstable carts, stands, tables, shelves etc. The equipment may fall, causing serious injury to children or adults and serious damage to the equipment itself. Always place the equipment on the floor or on a surface that is sturdy, level, stable and strong enough to support the weight of the equipment.
6. Use only a cart or stand recommended by the manufacturer. This equipment and recommended cart or stand should be handled with care. Quick stops, excessive force, and uneven surfaces may cause the equipment and cart/stand to overturn.
7. Do not disable the 3-wire grounding type plug. The grounding pin on the 3-prong plug is an important feature. Removing the grounding pin will increase the risk of damaging the equipment.
8. If you can not fit the plug into the electrical outlet, contact an electrician to install a grounding outlet.
9. Always operate this equipment from the type of power source indicated on the rear of the serial/model plate.
10. Never overload wall outlets and extensions.
11. Use and handle the power cord with care. Do not place any heavy objects on the AC power cord.
12. Do not pull the AC power cord. Do not handle the AC power cord with a wet hand.
13. Do not touch the power cord and antenna cable during lightning.
14. Remove the plug from the wall outlet, if the equipment will not be used for a long period of time.



15. Do not place, use or handle this equipment near water.
16. Never expose the equipment to liquid, rain, or moisture. Seek service if any of the above is spilled into the equipment.
17. Do not expose the equipment to extreme temperature or to direct sunlight, as the equipment may heat up and suffer damage.
18. Do not install the equipment near any heat sources such as radiators, heat registers, stoves, or any other apparatus that might produce heat.
19. Do not attempt to service the equipment yourself.
20. Opening and removing the covers may expose you to dangerous voltage or other hazards and may void your warranty. Refer service to qualified personnel.
21. Do not place or drop any other objects on top.
22. Do not insert anything into the ventilation holes of your equipment. Inserting any metal or flammable objects may result to fire or electric shock.
23. Protect the power cord from being walked on or pinched particularly at plugs ,convenience receptacles, and the point where they exit
24. Refer all servicing to qualified service personnel. Servicing is required when the apparatus has been damaged in any way, such as power-supply cord or plug is damaged, liquid has been spilled or objects have fallen into the apparatus, the apparatus has been exposed to rain or moisture, does not operate normally, or has been dropped.
25. Always remove the power cord from the outlet before cleaning the equipment.
26. Never use liquid or aerosol cleaners on the equipment. Clean only with a soft dry cloth.
27. Only use attachments/accessories specified by the manufacturer.
28. Where the mains plug or an appliance coupler is used as the disconnected device, the disconnect device shall remain readily operable.

Listening with Earphones

- Listen at moderate Volumes to avoid hearing damage.
- If you hear no sound during playback, do not turn the Volume up as the music may suddenly begin at a high Volume. Excessive sound pressure from earphones and headphones can cause hearing loss.
- To avoid damaging your ears, adjust the Volume to the lowest level before playback, and turn up to the desired level when playback has started.

Legal and Trademark Notices

Coby is a registered trademark of Coby Electronics Corporation. All other trademarks and logos are property of their respective owners unless indicated otherwise.

"Made for iPod" and "Made for iPhone" mean that an electronic accessory has been designed to connect specifically to iPod or iPhone, respectively, and has been certified by the developer to meet Apple performance standards. Apple is not responsible for the operation of this device or its compliance with safety and regulatory standards.

iPod and iPhone are trademarks of Apple Inc., registered in the U.S. and other countries.

↘ Índice de Contenidos

MUCHAS GRACIAS	24
Contenidos del Paquete	24
Características	24
PANORAMA DEL CSMP175	25
Unidad Principal.....	25
Control Remoto	27
Acerca de las Baterías del Control Remoto	29
PARA EMPEZAR.....	30
Conexiones.....	30
Conectar la Fuente de Energía.....	30
Conectar un iPod® o iPhone®	30
Conectar un Dispositivo Auxiliar.....	31
Controles Básicos	31
USO DEL MODO IPOD®/IPHONE®	32
Controles.....	32
Buscar en Menús de iPod/iPhone con el Control Remoto	33
Girar la Base Dock	33

USO DEL MODO AUX	34
Controles	34
SPECIFICATIONS	35
SOPORTE	36
AVISOS DE SEGURIDAD Y REGLAMENTACIÓN	37

↘ Muchas Gracias

Gracias por adquirir un sistema de sonido Coby® CSMP175 Vitruvian™ para iPod® y iPhone®. Lea este manual cuidadosamente antes de usar este dispositivo y guárdelo para referencias futuras.

Contenidos del Paquete

- ✦ CSMP175
- ✦ Adaptador de alimentación
- ✦ Control remoto
- ✦ Cable auxiliar de 3,5 mm
- ✦ Manual de instrucciones

Si faltara alguno de los artículos mencionados anteriormente, comuníquese con el distribuidor a quien le compró el producto.



Este paquete puede contener bolsas plásticas u otros materiales que son riesgosos para los niños. Asegúrese de eliminar todo el material de empaque de forma segura luego de abrir el paquete

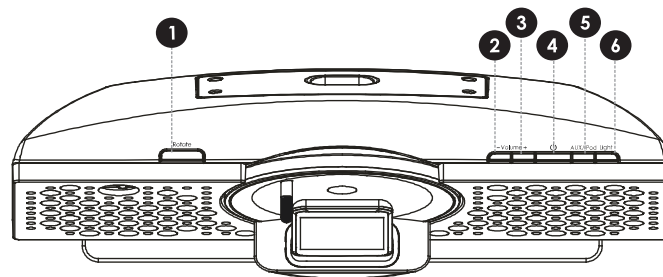
Características

- ✦ Sistema de sonido superior diseñado para iPod® y iPhone®
- ✦ Base dock universal integrada para cargar y reproducir su iPod/iPhone
- ✦ Rotación de base dock táctil que le permite buscar con Cover Flow o ver películas en modo paisaje
- ✦ Circuito de acentuación de bajos para el refuerzo de baja frecuencia
- ✦ Es compatible con iPod shuffle y otros reproductores portátiles con una conexión de audio de 3,5 mm
- ✦ Luz de ambiente ajustable

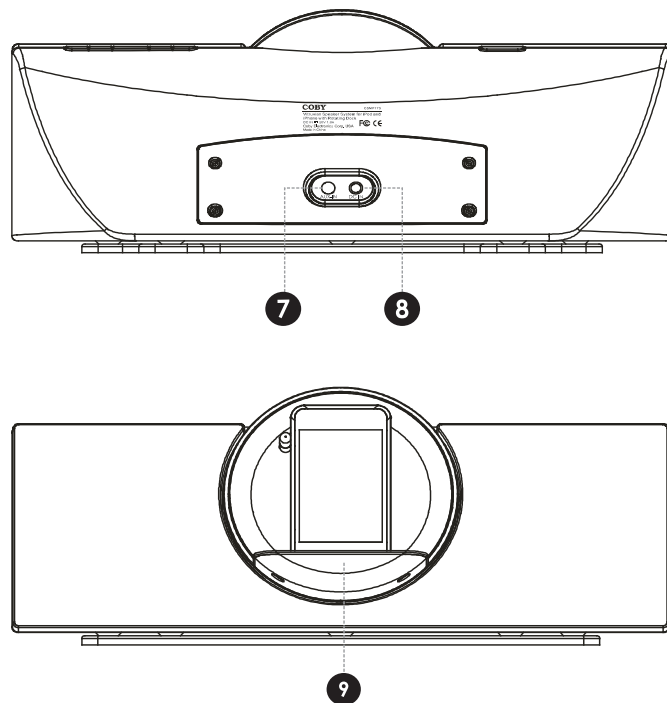
↘ Panorama del CSMP175

Unidad Principal

1	[Rotate]	Presionar para girar la base dock.
2	[Volume -]	Presionar para bajar el nivel de volumen.
3	[Volume +]	Presionar para subir el nivel de volumen.
4	[Power]	Presionar para encender o apagar la unidad.
5	[AUX/iPod]	Presionar para cambiar entre modo AUX y iPod.
6	[Light]	Presionar para aumentar o reducir la intensidad de la luz de fondo.



7	AUX IN	Conector auxiliar de 3,5 mm. Utilice un cable auxiliar de 3,5 mm para conectar dispositivos de audio portátiles con una salida de auricular de 3,5 mm (por ejemplo, iPod shuffle, reproductores de MP3 Coby).
8	DC IN	Cable de alimentación. Utilice el adaptador de CA para conectar a una salida de alimentación CA de 100-240 V.
9	Base dock universal	Base dock para iPod® y iPhone®. Conector para su iPod o iPhone compatible.

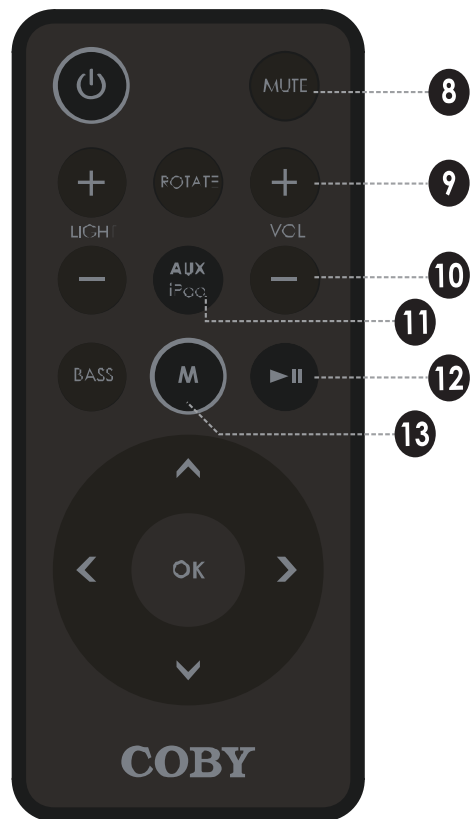


Control Remoto

1	[POWER]	Presionar para encender o apagar la unidad.
2	[ROTATE]	Presionar para girar la base dock.
3	[LIGHT +]	Presionar para aumentar la intensidad de la luz de fondo.
4	[LIGHT -]	Presionar para reducir la intensidad de la luz de fondo.
5	[BASS]	Presionar para encender o apagar el refuerzo de acentuación de bajos.
6	[IZQUIERDA]	Presionar para saltar a la pista anterior. Mantener presionado para retroceder rápidamente en la pista actual.
	[DERECHA]	Presionar para saltar a la siguiente pista. Mantener presionado para avanzar rápidamente en la pista actual.
	[ARRIBA]	Utilizar estos botones para buscar en los menús de iPod® o iPhone®.
	[ABAJO]	
7	[OK]	Presionar para introducir una selección de menú de iPod o iPhone.



8	[MUTE]	Presionar para activar o desactivar la salida de altavoz.
9	[VOL +]	Presionar para subir el nivel de volumen.
10	[VOL -]	Presionar para bajar el nivel de volumen.
11	[AUX/iPod]	Presionar para cambiar entre modo AUX y iPod.
12	[Reproducir/ Pausa]	Presionar para iniciar o pausar la reproducción de iPod o iPhone.
13	[M]	Presionar para acceder al menú de iPod o iPhone o para regresar a la pantalla anterior.

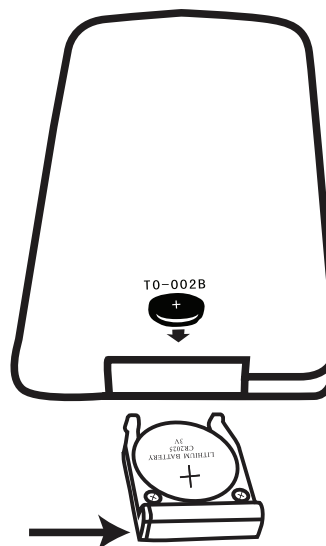


Acerca de las Baterías del Control Remoto

El control remoto es alimentado por una (1) batería del tipo CR2025. Antes de utilizar el control remoto, asegúrese de quitar la pestaña plástica de protección del compartimiento de baterías.

Para reemplazar la batería:

1. Apriete la pestaña del compartimiento para baterías hacia la derecha mientras retira el compartimiento.
2. Retire la batería y reemplácela por una batería de litio nueva del tipo "CR2025".
3. Coloque nuevamente el compartimiento.



↘ Para Empezar

Conexiones

Conectar la Fuente de Energía

Esta unidad se conecta mediante un adaptador de CA.

Conecte un extremo del adaptador de CA que viene incluido a una salida de alimentación eléctrica de CA de 100-240 V ~50/60 Hz. Conecte el otro extremo al conector de entrada de CC ubicado en la parte trasera de la unidad.



No conecte el adaptador de energía a la salida de alimentación que no sea la indicada en este manual o en la etiqueta, ya que puede tener como resultado un riesgo de incendio o descarga eléctrica.

No manipule el enchufe con las manos húmedas. Hacerlo podría provocar descargas eléctricas.

Conectar un iPod® o iPhone®

- ✦ Si tiene un iPod o iPhone compatible, puede reproducirlo con los altavoces del CSMP175.
- ✦ Los modelos de iPod/iPhone compatibles aparecen en la sección Especificaciones de este manual.



Para obtener información y especificaciones de producto actualizadas, visite el sitio web de Coby Electronics en www.cobyusa.com.

Para conectar su iPod/iPhone:

1. Si tiene un cartucho de adaptador de base dock, coloque firmemente el adaptador en la base dock universal.
2. Enchufe su iPod/iPhone compatible en la base dock universal.



Los adaptadores de base dock son proporcionados por Apple en sus recientes modelos de iPod.

Los modelos de iPod o iPhone compatibles se cargarán al conectarse a la base dock universal.

Conectar un Dispositivo Auxiliar

Si tiene un dispositivo de audio con una salida para auriculares o enchufe de salida de línea de 3,5 mm, puede reproducirlo a través de los altavoces del CSMP175.

Para conectar su dispositivo de audio auxiliar:

1. Conecte un extremo de un cable auxiliar de 3,5 mm a la salida para auriculares/enchufe de salida de línea del dispositivo de audio.
2. Conecte el otro extremo del cable al conector de entrada auxiliar [AUX IN] ubicado en la parte trasera del CSMP175.

Controles Básicos

Para...	...haga esto.
Encender o apagar la unidad	Presione [POWER]
Cambiar entre modo de reproducción de iPod/iPhone y AUX.	Presione [AUX/iPod]
Ajustar el nivel de volumen	Presione [VOL +] o [VOL -]
Iniciar, pausar o reanudar la reproducción del iPod/iPhone	Presione [Reproducir/Pausa]
Girar la base dock	Presione [ROTATE]



Cuando la unidad está en modo iPod, usted puede usar los controles de su iPod/iPhone de forma directa.

↘ Uso del Modo iPod® /iPhone®

Para escuchar su iPod/iPhone, simplemente colóquelo en la base dock universal.

- ✦ El CSMP175 se encenderá automáticamente.
- ✦ La música en el iPod/iPhone se reproducirá automáticamente.



Presione [Play/Pause] para iniciar la reproducción de música si no comienza automáticamente.

Controles

Cuando se conecta un iPod/iPhone a la base dock universal y el CSMP175 se encuentra en modo iPod, los siguientes controles están disponibles.

Tecla del Control Remoto	Función
[Reproducir/Pausa]	Inicia o pausa/reanuda la reproducción.
[DERECHA]	Salta a la siguiente pista.
[IZQUIERDA]	Salta a la pista anterior.
Mantener [DERECHA]	Avanza rápidamente en la pista actual.
Mantener [IZQUIERDA]	Retrocede rápidamente en la pista actual.
[VOL +]	Sube el nivel de volumen.
[VOL -]	Baja el nivel de volumen.
[MUTE]	Activa o desactiva la salida del altavoz.
[BASS]	Enciende o apaga el refuerzo de acentuación de bajos.
[ROTATE]	Gira la base dock.
[AUX/iPod]	Presionar para cambiar entre modo AUX y iPod.

Buscar en Menús de iPod/iPhone con el Control Remoto

Algunas funciones de su iPod/iPhone pueden controlarse con el control remoto del CSMP175.

Remote Key	Function
[M]	Presionar para acceder al menú de iPod/iPhone o para regresar a la pantalla anterior.
[ARRIBA]	Utilizar estos botones para buscar en los menús de iPod® o iPhone®.
[ABAJO]	
[OK]	Presionar para introducir una selección de menú de iPod o iPhone.



Para los modelos de iPod touch y iPhone, es posible que necesite iniciar la aplicación del reproductor de música/video antes de que los controles remotos funcionen.

Girar la Base Dock

Gire la base dock de forma horizontal para ver su iPod touch o iPhone compatible en posición paisaje.

- ✦ Presione [ROTATE] para girar la base dock a posición paisaje.
- ✦ Presione [ROTATE] nuevamente para regresar la base dock a su posición normal o vertical.

Cuando su iPod/iPhone se encuentra en posición paisaje, usted puede:

- ✦ Buscar en su colección de medios con Cover Flow
- ✦ Ver el arte del álbum
- ✦ Mirar videos

↘ Uso del Modo AUX

Para escuchar un dispositivo auxiliar, utilice un cable auxiliar de 3,5 mm para conectarlo al CSMP175.

1. Presione el botón [POWER] para encender el CSMP175.
2. Inicie la reproducción en el dispositivo auxiliar.
3. Presione [AUX/iPod] para colocar el CSMP175 en modo AUX.



El dispositivo auxiliar debe tener una salida de auriculares o conexión de salida de línea de 3,5 mm. El iPod® shuffle y los reproductores MP3/MP4 Coby® son ejemplos de dispositivos auxiliares.

Controles

Cuando el CSMP175 se encuentra en modo AUX, los siguientes controles están disponibles.

Tecla del control remoto	Función
[VOL +]	Sube el nivel de volumen.
[VOL -]	Baja el nivel de volumen.
[MUTE]	Activa o desactiva la salida del altavoz.
[BASS]	Enciende o apaga el refuerzo de acentuación de bajos.
[ROTATE]	Gira la base dock.
[AUX/iPod]	Presionar para cambiar entre modo AUX y iPod.



Utilice los controles del dispositivo auxiliar directamente para controlar la reproducción.

↓ Specifications

Please visit www.cobyusa.com for the latest product information. Design, specifications, and manual are subject to change without notice.

Salida del Altavoz (RMS)	10W x 2
Respuesta en Frecuencia	40 – 20,000Hz
Impedancia	4Ω
Entrada Auxiliar	3.5mm stereo
Alimentación	Entrada : AC 100-240V ~50/60Hz
	Salida : DC 20V, ~1.8A
	Control Remoto: Una batería CR2025
Dimensiones de la Unidad	11,2 x 40,4 x 15,7 cm

Fabricado para*	iPhone 3GS iPhone 3G iPhone iPod classic iPod touch iPod touch 2G iPod nano iPod nano 2G iPod nano 3G iPod nano 4G iPod nano 5G iPod 5G iPod photo iPod 4G iPod 3G iPod mini
-----------------	---

* Por favor, visite www.cobyusa.com la información más reciente sobre el iPod / iPhone compatibilidad.

↘ Soporte

Si tiene un problema con este dispositivo, lea la guía de solución de problemas a continuación o visite nuestro sitio Web en www.cobyusa.com para obtener respuestas a preguntas frecuentes y las actualizaciones de firmware. Si estos recursos no resuelven el problema, comuníquese con el Soporte técnico.

Español

Dirección Coby Electronics Technical Support
150 Knowlton Way
Savannah, Georgia 31407



Correo Electrónico techsupport@cobyusa.com

Web www.cobyusa.com

Teléfono 800-727-3592
De Lunes a Viernes, 8:30–21:00 EST
Sábado, 9:00–17:30 EST

718-416-3197
De Lunes a Viernes, 8:00–17:30 EST

↘ Avisos de Seguridad y Reglamentación

	PRECAUCIONES	
ADVERTENCIA: PELIGRO DE ELECTROCUCIÓN. NO ABRIR.		
PRECAUCIÓN: PARA REDUCIR EL RIESGO DE INCENDIO Y CHOQUE ELÉCTRICO, NO RETIRE LA CUBIERTA (O PARTE POSTERIOR) DE LA UNIDAD. PARA REALIZAR EL MANTENIMIENTO, ACUDA ÚNICAMENTE A PERSONAL DE SERVICIO CALIFICADO.		



La figura de relámpago que termina en punta de flecha dentro de un triángulo equilátero tiene por finalidad alertar al usuario de la presencia de “voltaje peligroso” sin aislamiento dentro de la caja del producto que podría tener potencia suficiente para constituir un riesgo de choque eléctrico.



El signo de exclamación dentro de un triángulo equilátero tiene el propósito de advertir al usuario de la presencia de instrucciones de funcionamiento y reparación importantes en el material impreso que acompaña al artefacto.



Para obtener información de reciclaje o eliminación sobre este producto, comuníquese con sus autoridades locales o con la Alianza de Industrias Electrónicas: www.eiae.org.

Para uso de los clientes:

Ingrese a continuación el número de serie que se encuentra en la parte trasera de la unidad. Conserve esta información para referencias futuras.

Nº de Model _____

Nº de Serie _____

ADVERTENCIA: Para prevenir el riesgo de descarga eléctrica, no exponga este dispositivo a la lluvia ni a la humedad. Dentro del gabinete se encuentra presente alto voltaje peligroso. No abra el gabinete.

PRECAUCIÓN: Para evitar choques eléctricos, haga coincidir la espiga ancha del enchufe con la ranura ancha del tomacorriente e insértela por completo.

Nota: Este producto contiene materiales eléctricos o electrónicos. En caso de no desecharlos adecuadamente, es posible que la presencia de estos materiales tenga potenciales efectos adversos sobre el medio ambiente y la salud humana. La presencia de esta etiqueta en el producto indica que no debe desecharse sin clasificar y que debe recolectarse individualmente. En calidad de consumidor, usted es responsable de asegurarse de desechar este producto adecuadamente.

Declaración de la FCC:

Este dispositivo cumple con la Parte 15 de las Normas de la FCC. El funcionamiento está sujeto a las siguientes dos condiciones:

- (1) Este dispositivo puede no causar interferencias perjudiciales, y
- (2) Este dispositivo debe aceptar cualquier interferencia recibida, inclusive aquella que podría causar funcionamiento no deseado.

Nota: Este equipo fue probado y cumple con todos los límites para dispositivos digitales clase B, conforme a la Parte 15 de las normas de la FCC. Estos límites fueron diseñados para brindar protección razonable contra la interferencia perjudicial en una instalación residencial. Este equipo genera, emplea y puede irradiar energía de frecuencia de radio y, si no se instala y emplea según las instrucciones, puede ocasionar interferencia perjudicial para las comunicaciones de radio. Sin embargo, no hay ninguna garantía de que no ocurrirá en una instalación en particular. Si este equipo causa interferencia perjudicial para la recepción de radio o televisión, lo cual puede determinarse al apagar o encender el equipo, el usuario puede tratar de corregir la interferencia con una o más de las siguientes medidas:

- Reorientar o reubicar la antena receptora.
- Aumentar la distancia entre el equipo y el receptor.
- Conectar el equipo en un tomacorriente en un circuito diferente del que está conectado el receptor.
- Consultar al distribuidor o a un técnico con experiencia en radio y TV para obtener ayuda.

Se requiere el uso de cable blindado, para cumplir con los límites de la clase B, en la sub parte B de la Parte 15 de las normas de la FCC.

No efectúe cambios ni modificaciones al equipo, excepto en caso de que así lo especifique el manual. Si se deben efectuar tales cambios o modificaciones, se le solicitará que detenga el funcionamiento del equipo.

Advertencias y Precauciones

Para evitar lesiones, deben tomarse las siguientes precauciones de seguridad para la instalación, el uso, la reparación y el mantenimiento del aparato. Antes de ponerlo en funcionamiento, lea el manual completo y consérvelo a mano para futuras consultas.

Instrucciones de Seguridad Importantes

1. Read Instructions: All the safety and operating instructions should be read before the product is operated.
2. Conserve las instrucciones: Deberá conservar las instrucciones de seguridad y funcionamiento para referencia futura.
3. Preste atención a las advertencias: Deberá respetar todas las advertencias contenidas en el producto y en las instrucciones de funcionamiento.
4. Siga las instrucciones: Deberá seguir todas las instrucciones de uso y funcionamiento.
5. No coloque el aparato sobre superficies irregulares ni carros, bases, mesas ni estantes inestables. El aparato puede caer y provocar lesiones graves a niños o adultos y sufrir daños graves. Coloque el aparato sobre el piso o una superficie maciza, pareja, estable y con la resistencia suficiente para soportar su peso en todo momento.
6. Utilice únicamente carros o bases recomendados por el fabricante. El aparato y el carro o la base recomendados deben manipularse con precaución. Las detenciones bruscas, la fuerza excesiva y las superficies irregulares pueden hacer volcar el aparato y el carro/la base.
7. No inhabilite el enchufe de 3 espigas con descarga a tierra. La clavija de conexión a tierra del enchufe de 3 espigas es un componente importante. La extracción de la clavija de conexión a tierra incrementará el riesgo de daños al aparato.
8. Si no puede insertar el enchufe en el tomacorriente eléctrico, solicite a un electricista que instale un tomacorriente con conexión a tierra.
9. Siempre utilice el aparato conectado a la fuente de alimentación indicada en la parte posterior de la placa de número de serie/modelo.
10. Nunca sobrecargue los tomacorrientes de pared ni los cables de extensión.
11. Utilice y manipule el cable de alimentación con precaución. No coloque objetos pesados sobre el cable de alimentación de CA.
12. No tire del cable de alimentación de CA. No manipule el cable de alimentación de CA con las manos mojadas.



13. No toque el cable de alimentación ni el de la antena durante tormentas eléctricas.
14. Extraiga el enchufe del tomacorriente de pared si el aparato no se utilizará durante un período prolongado.
15. No coloque, utilice ni manipule este aparato cerca del agua.
16. Nunca esponga el aparato a líquidos, lluvia ni humedad. Solicite asistencia técnica si cualquiera de los elementos anteriores se filtra dentro del aparato.
17. No esponga el aparato a temperaturas extremas o luz solar directa, ya que puede recalentarse y dañarse.
18. No instale el aparato cerca de fuentes de calor tales como radiadores, rejillas de aire caliente, estufas ni ningún otro aparato que emita calor.
19. No intente reparar el aparato por su cuenta.
20. La abertura y extracción de las cubiertas puede exponerlo a un voltaje peligroso u otros riesgos y anular la garantía. Solicite reparaciones únicamente a personal idóneo.
21. No coloque ni permita que caigan otros objetos encima del aparato.
22. No introduzca ningún elemento en los orificios de ventilación del aparato. La introducción de objetos metálicos o inflamables puede producir incendios o descargas eléctricas.
23. Evite pisar o apretar el cable de alimentación, especialmente en los enchufes, tomacorrientes y en el punto en que salen del aparato.
24. Para cualquier reparación, póngase en contacto con el personal técnico calificado. Será necesario realizar reparaciones cuando el aparato se haya dañado de alguna forma, por ejemplo, cuando se haya dañado el enchufe o el cable de alimentación, se hayan derramado líquidos o hayan caído objetos dentro del aparato, el aparato haya sido expuesto a la lluvia o a la humedad, no funcione normalmente o se haya caído.
25. Siempre extraiga el cable de alimentación del tomacorriente antes de limpiar el aparato.
26. Nunca use limpiadores líquidos ni en aerosol en el aparato. Limpiar sólo con un paño suave seco.
27. Utilice sólo complementos/accesorios recomendados por el fabricante.
28. En aquellos casos en que se utilice el enchufe a la corriente eléctrica o un conector del electrodoméstico como interruptor de corriente, dicho interruptor deberá permanecer en funcionamiento.

Utilización de los Auriculares

- Escuche a volúmenes moderados para evitar el deterioro de la audición.
- Si no oye ningún sonido durante la reproducción, no aumente el volumen ya que la música podría comenzar repentinamente a un volumen alto. La presión sonora excesiva de los auriculares puede provocar la pérdida de la audición.
- Para evitar el deterioro auditivo, establezca el nivel mínimo de volumen antes de reproducir y aumentelo hasta el nivel deseado una vez que la reproducción haya comenzado.

Avisos de Legal y Marcas

Coby es una marca registrada de Coby Electronics Corporation. Todas las demás marcas y logotipos son propiedad de sus respectivos dueños a menos que se indique lo contrario.

"Made for iPod" (Hecho para iPod) y "Made for iPhone" (Hecho para iPhone) significan que un accesorio electrónico ha sido diseñado para ser conectado específicamente a iPod o iPhone, respectivamente, y ha sido certificado por el productor para cumplir con las especificaciones de rendimiento de Apple. Apple no es responsable por la operación de este dispositivo ni por el cumplimiento de regulaciones ni estándares de seguridad.

iPod e iPhone son marcas registradas de Apple Inc., registradas en EE.UU. y en otros países.

↘ Table des Matières

MERCI	44
Contenu de l'Emballage	44
Caractéristiques	44
CSMP175 EN UN COUP D'OEIL	45
Unité Principale	45
Télécommande.....	47
A Propos de la Pile de la Télécommande	49
POUR DÉMARRER	50
Branchements	50
Alimentation	50
Connexion d'un iPod® ou iPhone®	50
Connexion d'un Dispositif Auxiliaire	51
Commandes de Base	51
UTILISATION DU MODE IPOD®/IPHONE®	52
Commandes.....	52
Naviguer à travers les Menus iPod/iPhone avec la Télécommande	53

UTILISATION DU MODE AUX	54
Commandes.....	54
SPÉCIFICATIONS	55
ASSISTANCE	56
DÉCLARATIONS DE SÉCURITÉ ET RÉGLEMENTATION	57

↘ Merci

Merci pour votre achat d'un Coby® Vitruvian™ Système Sonore pour iPod® et iPhone®. Veuillez lire ce manuel attentivement avant d'utiliser ce dispositif et garder-le pour référence ultérieure.

Contenu de l'Emballage

- ✦ CSMP175
- ✦ Adaptateur d'alimentation
- ✦ Télécommande
- ✦ Câble auxiliaire de 3,5mm
- ✦ Manuel d'utilisation

Si l'un des éléments ci-dessus est manquant, veuillez contacter le revendeur auprès duquel vous avez acheté ce produit



Cet emballage peut contenir des sacs en plastique ou autres matériaux qui présentent un danger pour les enfants. Veuillez à éliminer en toute sécurité tous les matériaux d'emballage après l'ouverture.

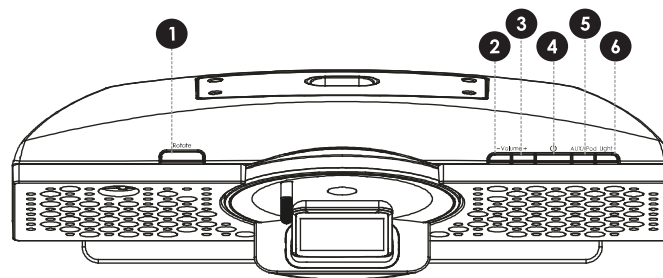
Caractéristiques

- ✦ Système sonore conçu pour iPod® & iPhone®
- ✦ Le dispositif de connexion Universel intégré recharge et lit votre iPod/iPhone
- ✦ La rotation du dispositif de connexion One-touch vous laisse naviguer avec Cover Flow ou vous laisse regarder des films en mode paysage
- ✦ Circuiterie d'Amplification des Basses Fréquences pour amplification basse fréquence
- ✦ Prend en charge iPod shuffle et d'autres lecteurs portables avec une connexion audio de 3,5mm
- ✦ Eclairage ambiant ajustable

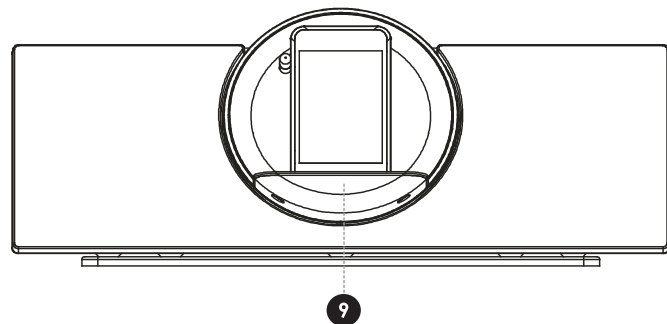
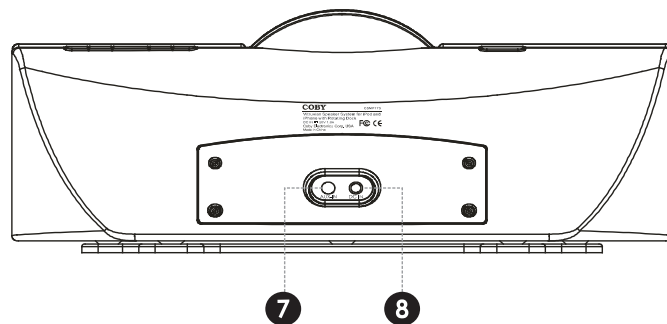
↘ CSMP175 en un Coup d'Oeil

Unité Principale

1	[Rotate]	Appuyez pour faire pivoter le dock.
2	[Volume -]	Appuyer pour diminuer le niveau du son.
3	[Volume +]	Appuyer pour augmenter le niveau du volume
4	[Power]	Appuyer pour allumer ou éteindre l'unité.
5	[AUX/iPod]	Appuyer pour passer entre les modes AUX et iPod.
6	[Light]	Appuyer pour augmenter ou diminuer l'intensité du rétroéclairage.

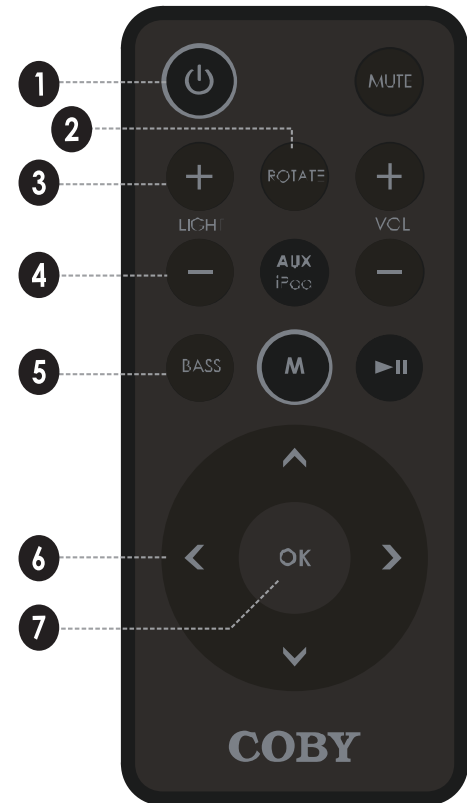


7	AUX IN	Connecteur auxiliaire de 3,5mm. Utiliser un câble auxiliaire de 3,5mm pour connecter les dispositifs audio portables avec une sortie écouteurs de 3,5mm (e.g., iPod shuffle, lecteurs MP3 Coby).
8	DC IN	Connecteur d'alimentation. Utiliser l'adaptateur CA pour connecter à une sortie d'alimentation CA 100-240V.
9	Universal Dock	Dock pour iPod® et iPhone®. Connecteur pour votre iPod ou iPhone compatible.



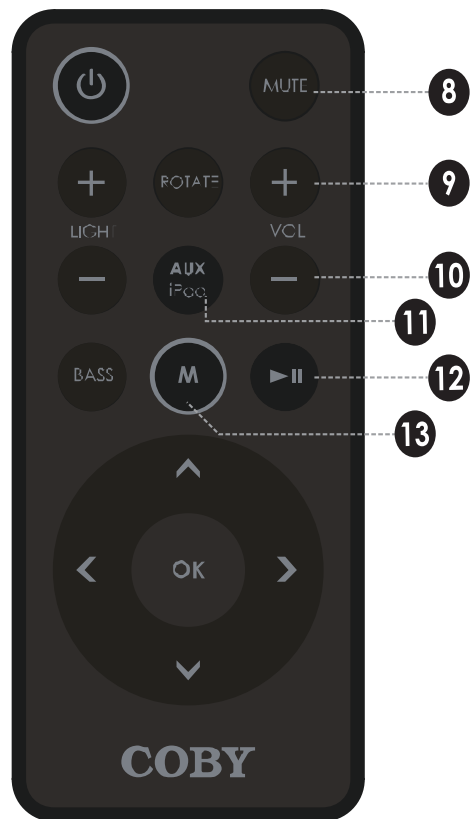
Télécommande

1	[POWER]	Appuyer pour allumer ou éteindre l'unité.
2	[ROTATE]	Appuyer pour faire pivoter le dock.
3	[LIGHT +]	Appuyer pour augmenter l'intensité du rétroéclairage.
4	[LIGHT -]	Appuyer pour diminuer l'intensité du rétroéclairage.
5	[BASS]	Appuyer pour allumer ou éteindre l'amplification de basses fréquences.
6	[GAUCHE]	Appuyer pour revenir à la piste précédente. Maintenir appuyé pour retour rapide à travers la piste actuelle.
	[DROITE]	Appuyer pour passer à la piste suivante. Maintenir appuyé pour avance rapide à travers la piste actuelle.
	[HAUT]	Utiliser pour naviguer à travers les menus iPod® ou iPhone®.
	[BAS]	
7	[OK]	Appuyer pour entrer une sélection de menu iPod ou iPhone.



Français

8	[MUTE]	Appuyer pour désactiver ou activer la sortie haut-parleur.
9	[VOL +]	Appuyer pour augmenter le niveau du volume.
10	[VOL -]	Appuyer pour diminuer le niveau du son.
11	[AUX/iPod]	Appuyer pour passer entre les modes AUX et iPod.
12	[Lecture/ Pause]	Appuyer pour lire ou faire une pause de lecture iPod ou iPhone.
13	[M]	Appuyer pour accéder au menu iPod ou iPhone, ou pour retourner à un écran précédent.

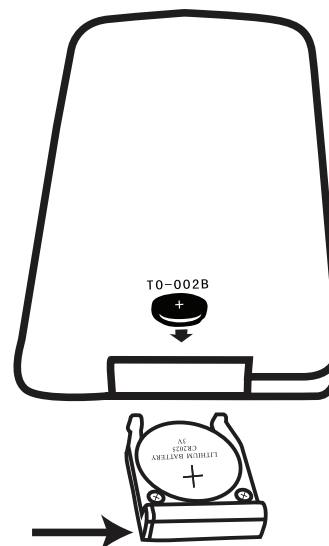


A Propos de la Pile de la Télécommande

La télécommande est alimentée par une (1) pile de type CR2025. Avant d'utiliser la télécommande, enlevez la languette protectrice de plastique de compartiment à piles.

Pour remplacer la pile :

1. Pressez l'onglet du compartiment à piles vers la droite tout en sortant le compartiment.
2. Retirez la pile et remplacez-la par une nouvelle pile "CR2025" au lithium.
3. Remplacez le compartiment.



⤵ Pour Démarrer

Branchements

Alimentation

Cet appareil est alimenté par un adaptateur CA.

Connectez une extrémité de l'adaptateur CA inclus à la prise secteur CA 100-240V ~50/60Hz. Branchez l'autre extrémité au connecteur d'Entrée d'Alimentation CC situé à l'arrière de l'appareil.



Ne branchez pas l'adaptateur de puissance dans une prise électrique autre que celle indiquée dans ce document et sur l'appareil au risque de provoquer un incendie ou un choc électrique.

Ne manipulez pas la fiche de branchement avec des mains mouillées. Ceci peut provoquer une électrocution.

Connexion d'un iPod® ou iPhone®

- ✦ Si vous avez un iPod ou iPhone compatible, vous pouvez le faire jouer à travers les haut-parleurs du CSMP175.
- ✦ Les modèles iPod/iPhone compatibles sont énumérés dans la section des Spécifications de ce manuel.



Pour les dernières informations et spécifications de produit, veuillez visiter le site web de Coby Electronics à www.cobyusa.com.

Pour connecter votre iPod/iPhone :

1. Si vous avez une cartouche d'adaptateur de dock, fixez l'adaptateur fermement dans le Dock Universel.
2. Branchez votre iPod/iPhone compatible dans le Dock Universel.



Les adaptateurs de Dock sont fournis par Apple avec leurs récents modèles iPod.

Les modèles iPod ou iPhone compatibles seront rechargés quand connectés au Dock Universel.

Connexion d'un Dispositif Auxiliaire

Si vous avez un dispositif audio avec une prise line-out (sortie de ligne) ou de sortie écouteurs de 3,5mm, vous pouvez le faire jouer à travers les haut-parleurs du CSMP175.

Pour connecter votre dispositif audio auxiliaire :

1. Connectez une extrémité d'un câble auxiliaire de 3,5mm à la prise de sortie/sortie de ligne écouteurs du dispositif audio.
2. Branchez l'autre extrémité du câble au connecteur AUX IN (Entrée AUX) situé à l'arrière du CSMP175.

Commandes de Base

Pour le faire...	...faites ceci.
Allumer ou éteindre l'appareil	Appuyez sur [POWER]
Changer entre le mode de lecture iPod/iPhone et AUX	Appuyez sur [AUX/iPod]
Pour régler le niveau du volume	Appuyez sur [VOL +] ou [VOL -]
Démarrer, faire une pause, ou reprendre la lecture iPod/iPhone	Appuyez sur [Lecteur/Pause]
Faire pivoter le dock	Appuyez sur [ROTATE]



Quand l'appareil est en mode iPod, vous pouvez utiliser les commandes de votre iPod/iPhone directement.

Utilisation du Mode iPod®/iPhone®

Pour écouter votre iPod ou iPhone, placez simplement votre iPod/iPhone dans le Dock Universel.

- ✦ Le CSMP175 s'allumera automatiquement.
- ✦ La musique de l'iPod/iPhone commencera à jouer automatiquement.



Appuyez sur [Lecture/Pause] pour démarrer la lecture de la musique si cela ne démarre pas automatiquement.

Commandes

Quand l'iPod/iPhone est connecté au Dock Universel et que le CSMP175 est en mode iPod, les commandes suivantes sont disponibles.

Touche à Distance	Fonction
[Lecteur/Pause]	Commencer la lecture ou faire une pause/reprendre lecture.
[DROITE]	Passer à la piste suivante.
[GAUCHE]	Passer à la piste précédente.
Maintenez [DROITE]	Avance rapide à travers la piste actuelle.
Maintenez [GAUCHE]	Retour rapide à travers la piste actuelle.
[VOL +]	Augmentation du volume.
[VOL -]	Diminution du volume.
[MUTE]	Désactive ou active la sortie haut-parleur.
[BASS]	Allume ou éteint l'amplification de basses fréquences.
[ROTATE]	Faire pivoter le dock.
[AUX/iPod]	Appuyer pour passer entre les modes AUX et iPod.

Naviguer à travers les Menus iPod/iPhone avec la Télécommande

Quelques fonctions de votre iPod/iPhone peuvent être contrôlées avec la télécommande CSMP175.

Touche à Distance	Fonction
[M]	Appuyer pour accéder au menu iPod/iPhone, ou pour retourner à un écran précédent.
[HAUT]	Utiliser pour naviguer à travers les menus iPod® ou iPhone®.
[BAS]	
[OK]	Appuyer pour entrer une sélection de menu iPod ou iPhone.



Pour les modèles iPod touch et iPhone, vous pouvez avoir besoin de démarrer l'application lecteur Musique/Vidéo avant que les commandes de télécommande puissent marcher.

Faire Pivoter le Dock

Faites pivoter le dock horizontalement pour voir votre iPod touch ou iPhone compatible en position paysage.

- ✦ Appuyez sur [ROTATE] pour faire pivoter le dock en position paysage.
- ✦ Appuyez de nouveau sur [ROTATE] pour remettre le dock en position normale, verticale.

Quand votre iPod/iPhone est en position paysage, vous pouvez :

- ✦ Naviguer dans votre collection de médias avec Cover Flow
- ✦ Visualiser les images d'album
- ✦ Regarder des vidéos

↘ Utilisation du Mode AUX

Pour écouter un dispositif auxiliaire, utilisez un câble auxiliaire de 3,5mm pour le connecter au CSMP175.

1. Appuyez sur [POWER] (marche/arrêt) pour mettre le CSMP175 sous tension.
2. Démarrer la lecture sur le dispositif auxiliaire.
3. Appuyez sur [AUX/iPod] pour régler le CSMP175 au mode AUX.



Le dispositif auxiliaire doit avoir une connexion line-out (sortie de ligne) ou de sortie écouteurs de 3,5mm. Des exemples d'un dispositif auxiliaire sont le iPod® shuffle et les lecteurs MP3/MP4 de Coby®.

Commandes

Quand le CSMP175 est en mode AUX, les commandes suivantes sont disponibles.

Touche à Distance	Fonction
[VOL +]	Augmentation du volume.
[VOL -]	Diminution du volume.
[MUTE]	Désactive ou active la sortie haut-parleur.
[BASS]	Allume ou éteint l'amplification de basses fréquences.
[ROTATE]	Faire pivoter le dock.
[AUX/iPod]	Appuyer pour passer entre les modes AUX et iPod.



Utilisez les commandes du dispositif auxiliaire directement pour contrôler la lecture.

↘ Spécifications

Pour les dernières informations et spécifications de produit, veuillez visiter le site web de Coby Electronics à www.cobyusa.com. Les caractéristiques et le manuel utilisateur sont sujet à modifications sans préavis.

Sortie Haut-Parleurs (RMS)	10W x 2
Réponse en Fréquence	40 – 20,000Hz
Impédance	4Ω
Entrée Aux	3,5mm stéréo
Alimentation	Entrée: AC 100-240V ~50/60Hz
	Sortie: DC 20V, ~1.8A
	Télécommande : CR2025 battery x 1
Dimensions de L'appareil (LLH)	11,2 x 40,4 x 15,7 cm.

Conçu pour *	iPhone 3GS iPhone 3G iPhone iPod classic iPod touch iPod touch 2G iPod nano iPod nano 2G iPod nano 3G iPod nano 4G iPod nano 5G iPod 5G iPod photo iPod 4G iPod 3G iPod mini
--------------	---



* S'il vous plaît visitez www.cobyusa.com pour les dernières informations sur iPod / iPhone compatibilité.

Assistance

Si vous avez un problème avec cet appareil, visitez notre site web à www.cobyusa.com pour les questions les plus fréquentes (FAQ) et les mises à jour du micrologiciel. Si ces ressources ne vous aident pas à résoudre le problème, veuillez contacter le service d'assistance technique.

Adresse	Coby Electronics Technical Support 150 Knowlton Way Savannah, Georgia 31407
Email	techsupport@cobyusa.com
Site Web	www.cobyusa.com
Téléphone	800-727-3592 8h00–21h00 EST, en semaine 9h00–17h00 EST, la samedi 718-416-3197 8h00–17h30 EST, du lundi au vendredi

↘ Déclarations de Sécurité et Réglementation

	CAUTION WARNING: SHOCK HAZARD. DO NOT OPEN. AVIS: RISQUE DE CHOC ELECTRIQUE. NE PAS OUVRIR	
ATTENTION : POUR RÉDUIRE LES RISQUES D'INCENDIE ET DE CHOC ÉLECTRIQUE, NE PAS ENLEVER LE COUVERCLE (OU LA PARTIE AU DOS) DE L'APPAREIL. CONTACTEZ UNIQUEMENT UN TECHNICIEN SPÉCIALISÉ.		



Le symbole en forme d'éclair fléché placé dans un triangle équilatéral informe l'utilisateur de la présence de "tensions dangereuses" non isolées au sein du boîtier du produit dont l'amplitude peut constituer un risque de décharge électrique.



Le point d'exclamation placé dans un triangle équilatéral informe l'utilisateur que des instructions d'utilisation et de maintenance importantes sont fournies dans la documentation qui accompagne le produit.



Pour de plus amples informations sur le recyclage ou la mise au rebut de ce produit, veuillez contacter les autorités locales ou les représentants de l'EIA (Alliance des industries du secteur de l'électronique) : www.eiae.org.

Information client :

Notez ci-après le numéro de série situé sur l'appareil. Conservez ces informations pour pouvoir vous y référer ultérieurement.

Numéro du Modèle _____

Numéro de Série _____

AVERTISSEMENT : Afin d'éviter tout risque d'incendie ou de décharge électrique, n'exposez pas cet appareil à la pluie ou à l'humidité. Le boîtier renferme des tensions élevées dangereuses. N'ouvrez pas le boîtier de l'appareil.

MISE EN GARDE : Afin d'éviter toute décharge électrique, alignez la broche large de la fiche en face de l'orifice large de la prise électrique et insérez-la complètement.

AVIS : Ce produit contient des matériels électriques ou électroniques. La présence de ces matériels peut, s'ils ne sont pas éliminés correctement, avoir des effets néfastes sur l'environnement et la santé humaine. La présence de cette étiquette sur le produit signifie qu'il ne devrait pas être éliminé comme des déchets non triés et doit être enlevé séparément. En tant que consommateur, vous êtes responsable de vous assurer que ce produit est éliminé de façon appropriée.

Déclaration FCC:

Cet appareil est conforme avec la section 15 des Règles FCC. Le fonctionnement est sujet aux deux conditions suivantes :

- (1) Cet appareil ne peut causer d'interférences dangereuses, et
- (2) Cet appareil doit accepter toute interférence, y compris une interférence pouvant causer une action non souhaitée.

Remarque : Cet équipement a été testé et déclaré conforme aux limites de la classe B des équipements digitaux, conformément à la section 15 des Règles FCC. Ces limites sont conçues pour fournir une protection raisonnable contre les interférences nuisibles dans une installation résidentielle. Cet équipement génère, utilise et émet des ondes radioélectriques qui peuvent, s'il n'est pas installé et exploité conformément aux instructions fournies, créer des interférences néfastes avec les transmissions radio. Toutefois, nous ne pouvons garantir l'absence d'interférences dans une installation donnée. En cas d'interférences néfastes, ce que vous pouvez vérifier en éteignant et en rallumant l'équipement, tentez d'y remédier en appliquant une ou plusieurs des mesures suivantes :

- Réorientez ou déplacez l'antenne de réception.
- Augmentez la distance séparant l'équipement du récepteur.
- Branchez l'équipement dans une prise de courant située sur un circuit différent de celui auquel est raccordé le récepteur.
- Consultez votre représentant en ventes ou un technicien qualifié.


L'utilisation de câbles électriques protégés est requise pour être conforme aux limites de la classe B et la sous-partie B de la section 15 des règles FCC.

Ne pas effectuer de changements ou de modifications a cet appareil, à moins que cela ne soit indiqué dans ce manuel. Si de telles modifications devaient être faites, il faudra peut-être que vous arrêtiez d'utiliser cet appareil.

Avertissements et Précautions

Pour éviter toute blessure, les précautions de sécurité suivantes doivent être observées dans l'installation, l'utilisation, l'entretien et la maintenance de cet équipement. Avant d'utiliser cet équipement, veuillez lire ce manuel complètement et le garder à proximité pour référence future.

Consignes de Sécurité Importantes

1. Lisez les instructions : Toutes les instructions de sécurité et de fonctionnement devraient être lues avant utilisation.
2. Gardez ces instructions : Vous devriez conserver ce manuel pour référence future.
3. Mises en garde : Vous devriez respecter tous les avertissements et toutes les instructions pour ce produit.
4. Suivez les instructions : Vous devriez suivre toutes les instructions d'usage.
5. Ne placez pas l'équipement sur des chariots, des supports, des tables, ou des étagères irréguliers ou instables etc. Le matériel peut tomber et causer des blessures graves à des enfants ou à des adultes et de graves dommages à l'équipement lui-même. Placez toujours l'équipement sur le plancher ou sur une surface solide, plane, stable et suffisamment solide pour supporter le poids de l'équipement.
6. Utilisez uniquement un chariot ou un support recommandé par le fabricant. Cet équipement et le chariot ou support recommandé doivent être manipulés avec précaution. Des arrêts brutaux, une trop forte poussée ou des surfaces inégales risquent de renverser le chariot/support et l'appareil. 
7. Ne désassemblez pas la fiche de type mise à la terre à 3 fils. La broche de terre sur la fiche à 3 broches est une caractéristique importante. Le fait de retirer la broche de terre va augmenter le risque d'endommager l'équipement.
8. Si vous ne pouvez pas insérer la fiche dans la prise électrique, contactez un électricien pour installer une prise de mise à la terre.
9. Faites toujours fonctionner cet équipement à partir du type d'alimentation indiqué sur l'arrière de la plaque de série/de modèle.
10. Ne surchargez jamais les prises murales et les extensions.
11. Utilisez et manipulez le cordon d'alimentation avec soin. Ne placez pas d'objets lourds sur le cordon d'alimentation de puissance secteur.

12. Ne tirez pas sur le cordon d'alimentation CA. Ne manipulez pas le cordon d'alimentation avec des mains mouillées.
13. Ne touchez pas le cordon d'alimentation et le câble d'antenne s'il y a de la foudre.
14. Retirez la prise de la prise murale si l'équipement ne sera pas utilisé pendant une longue période de temps.
15. Ne pas placer, utiliser ou manipuler cet équipement près de l'eau.
16. Ne jamais exposer l'équipement au liquide, à la pluie ou à l'humidité. Voir pour une réparation le cas échéant si ce qui précède est renversé sur l'équipement.
17. Ne pas exposer l'équipement à des températures extrêmes ou aux rayons directs du soleil, car l'équipement peut se surchauffer et subir des dommages.
18. N'installez pas cet équipement près de sources de chaleur, notamment des radiateurs, des bouches de chauffage, des poêles ou d'autres appareils générant de la chaleur.
19. Ne tentez pas de réparer l'équipement vous-même.
20. Le fait d'ouvrir et de retirer les couvercles peut vous exposer à des tensions dangereuses ou autres dangers et peut annuler votre garantie. La maintenance ne doit être effectuée que par des techniciens qualifiés.
21. Ne pas placer ou laisser tomber tout autres objets sur le dessus.
22. Ne pas insérer quoi que ce soit dans les trous de ventilation de votre équipement. Le fait d'insérer un métal ou des objets inflammables peut générer un incendie ou une électrocution.
23. Installez le cordon d'alimentation de sorte qu'il ne soit pas piétiné ou comprimé, en particulier au niveau des fiches, prises de courant et à l'endroit où ils sortent.
24. Ne faire appel qu'à des professionnels qualifiés. Vous devez envoyer votre appareil en réparation si il a été endommagé de quelque façon que ce soit, notamment si le câble d'alimentation a subi des dommages, si du liquide a été renversé ou si des objets sont tombés à l'intérieur du boîtier de l'appareil, qu'il a été exposé à la pluie ou à l'humidité, qu'il ne fonctionne pas normalement ou qu'il est tombé.
25. Retirez toujours le cordon d'alimentation de la prise avant le nettoyage du matériel.
26. Ne jamais utiliser de nettoyant liquide ou aérosol sur l'équipement. Nettoyez-le uniquement au moyen d'un chiffon sec.
27. N'utilisez que les fixations/accessoires spécifiés par le fabricant.
28. Lorsque la fiche secteur ou un coupleur d'appareil est utilisé en tant que périphérique déconnecté, le dispositif de déconnexion doit rester facilement accessible.

Ecouter avec des Ecouteurs

- Écoutez à un volume modéré pour éviter les dommages auditifs.
- Si vous n'entendez aucun son pendant la lecture, n'augmentez pas le volume puisque la musique peut soudainement commencer à un volume élevé. Une pression acoustique excessive des écouteurs et des casques d'écoute peut causer une perte auditive.
- Pour éviter d'endommager vos oreilles, réglez le volume au niveau le plus bas avant la lecture, et augmentez au niveau désiré lorsque la lecture a commencé.

Avis Juridique et de Marque Commerciale

Coby est une marque déposée de Coby Electronics Corporation. Toutes les autres marques et logos sont la propriété de leurs propriétaires respectifs, sauf indication contraire.

« Conçu pour iPod » et « Conçu pour iPhone » signifient qu'un accessoire électronique a été conçu pour la connexion spécifique à iPod ou iPhone, respectivement, et a été certifié par le fabricant pour répondre aux normes de performance d'Apple. Apple n'est pas responsable du fonctionnement de cet appareil ou de sa conformité avec les normes de sécurité et de réglementation.

iPod et iPhone sont des marques de commerce de Apple Inc., enregistrées aux Etats-Unis et d'autres pays.

Coby Electronics Corp.

1991 Marcus Ave, Suite 301
Lake Success, NY 11042

www.cobyusa.com
www.ecoby.com

Coby is a registered trademark of Coby Electronics Corporation.
Printed in China.

COBY es la marca registrada de COBY Electronics Corporation.
Imprimido en China.

Coby est une marque de fabrique de Coby Electronics Corporation.
Imprimé en Chine.

CSMP175

IB v1.0

Free Manuals Download Website

<http://myh66.com>

<http://usermanuals.us>

<http://www.somanuals.com>

<http://www.4manuals.cc>

<http://www.manual-lib.com>

<http://www.404manual.com>

<http://www.luxmanual.com>

<http://aubethermostatmanual.com>

Golf course search by state

<http://golfingnear.com>

Email search by domain

<http://emailbydomain.com>

Auto manuals search

<http://auto.somanuals.com>

TV manuals search

<http://tv.somanuals.com>