



# **DIAMOND**

## **AUDIO TECHNOLOGIES, LLC**

---

# **D3** Product Owners Manual

## **SPEAKER SYSTEMS**

**SERIAL NUMBER:** \_\_\_\_\_

**DATE OF PURCHASE:** \_\_\_\_\_

## SPECIAL THANKS

---

Dear Valued Customer,

Thank you for choosing Diamond D3 speakers. These speakers represent the latest advances in acoustic technology, and like all Diamond products, are hand built and tested in our own factory, using the highest grade components and state of the art techniques. When installed properly, they will provide many years of accurate sound reproduction.

Please keep in mind that prolonged exposure to sound pressure levels in excess of 100 dB can cause permanent hearing loss. This high performance speaker system can exceed that level, so please exercise restraint in its operation in order to preserve your ability to enjoy its fidelity in the future.

Because of their flexible installation possibilities, please consider having your new speakers professionally installed by an authorized Diamond Audio dealer. This will assure a clean and efficient installation, and extend your one year warranty to three years.

At Diamond, we strive to bring honest value and excellent quality to all of the speakers we build. By your purchase of this product, you have joined the growing family of discerning listeners who demand only the best. Welcome!

The Diamond Audio Team

## FEATURES

---

- Textured Copolymer Cones
- Foam Surrounds
- Heavy Gauge Proprietary Frames
- Flat Progressive Spider
- Extended Pole Motor Design
- Rubber Boot Magnet Protector
- Aluminum Dome Tweeters with Ferro Fluid Cooling
- Model Specific Crossovers
- Shallow Mount

## D3 INTEGRATED SPEAKER SYSTEMS

---

### Parts List - D342i, D352i, D362i, D372i, and D392i

- (2) D3 Coaxial Speakers
- (2) D3 Grills w/ Mounting Ring (except D372i)
- (2) Mounting Gaskets
- (1) Mounting Hardware Kit
- (2) 4" x 6" Adapter Plates (D342i only)

### On-board Crossovers

Each D3 coaxial features an on-board 12 dB/octave crossover and tweeter protection to ensure absolute fidelity and protection during audio reproduction.

### Standard Connection

D3 integrated systems are shipped configured for a single channel per speaker. Simply connect the speaker wire from the source to the exposed positive and negative terminals on the speaker.

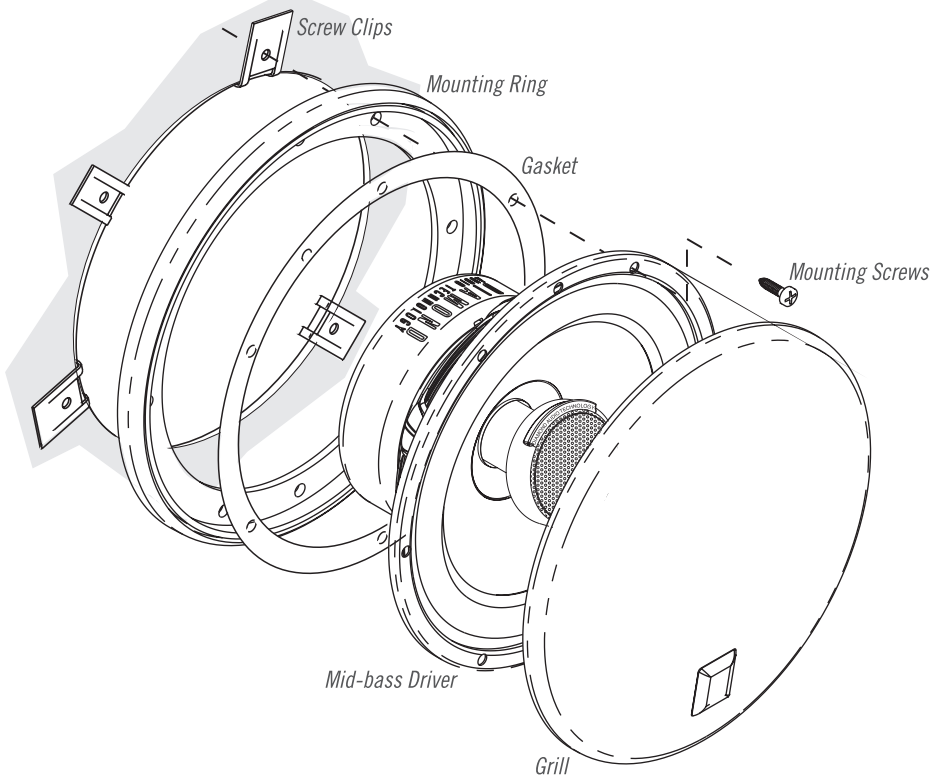
### Bi-amp Connection

An exclusive feature of the D3 integrated systems is the option to power the tweeter and mid-bass driver separately. This feature is called Bi-amping and all D3 coaxials can be bi-amped except D342i. This ability allows for external active filter, phase, and time alignment for each of the drivers independently. To bi-amp the speaker, remove the two jumper leads from the tweeter terminals on the speaker and connect separate power to the woofer and tweeter terminals.

## MID-BASS SPEAKER MOUNTING

---

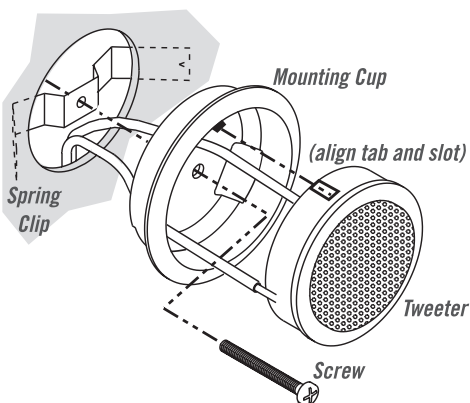
The illustration below shows the parts included and correct mounting assembly of the D3 integrated and component mid-bass drivers. Mounting ring and grill are optional.



## D3 COMPONENT SPEAKER SYSTEMS

### Parts List - D342, D352, and D362

- (2) D3 Mid-Bass Speakers
- (2) D3 Grills w/ Mounting Rings
- (2) Mounting Gaskets
- (2) D3 12dB Crossovers
- (2) D3 Tweeters in Flush Mount Cups
- (2) D3 Tweeter Surface Mounting Cups
- (1) Mid-Bass Mounting Hardware Kit
- (1) Tweeter Mounting Hardware Kit



### Tweeter Mounting

When flush or surface mounting tweeters, make sure desired location can accommodate the hole sizes and depth required. Mount cup using provided hardware, flush mount illustration shown on right. Mount surface cup at desired angle with provided screws in tweeter mounting kit. Snake speaker wires through tweeter cup, connect tweeter to wires, and snap tweeter into cup by aligning the notches. Be careful not to push on the center of the tweeter grill.

### Crossover Programming

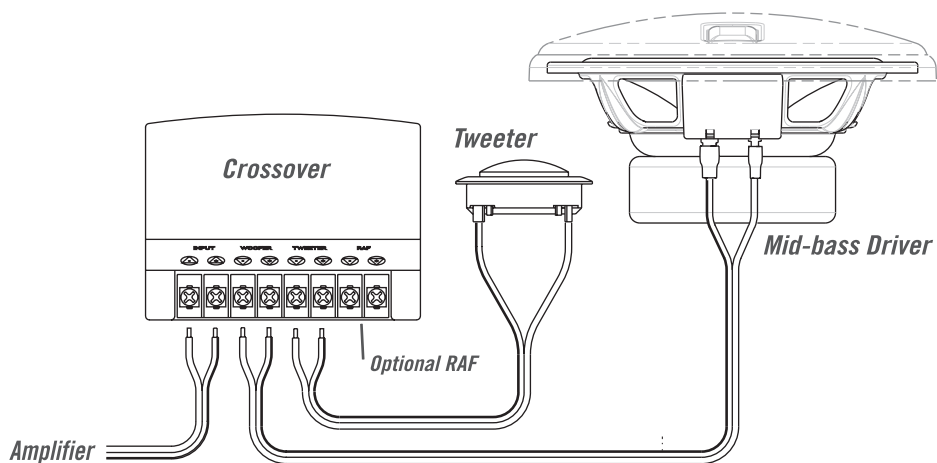
Each D3 component set comes with a pair of model specific programmable crossovers. Under the clear cover there are two jumpers, one marked "TWEETER" and one marked "AXIS". -2 dB tweeter attenuation can be achieved by moving the "TWEETER" jumper to the -2dB position. The default "reference" position has no attenuation effect on the tweeter or is 0dB. The "AXIS" jumper swaps the tweeter phase 180 degrees. The default position is "off axis" for mounting in dash boards, doors, and a-pillars. The "on axis" position is for tweeter positions that fire directly at the listening area like in custom kick pods.

### RAF Outputs

Each D3 Component crossover has a third set of outputs marked "RAF". This stands for Rear Acoustic Fill. This output can be used to power an additional speaker off the same channel without affecting the impedance load on the source unit. This output allows 15-20% of the total power to the extra speaker and is unfiltered or full range.

## COMPONENT SYSTEM CONNECTION

The following illustration shows how to connect one channel of the D3 component system.

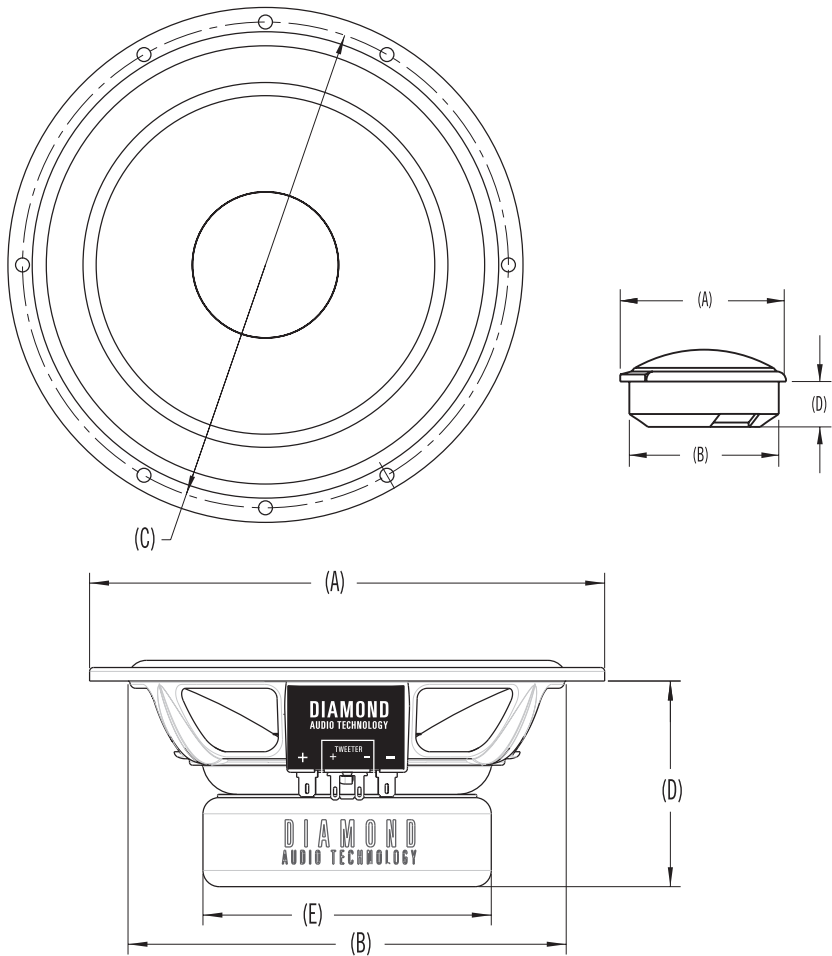


## THIELE/SMALL PARAMETERS

Parameter (unit)	D342/342i	D352/D352i	D362/D362i	D362.5/D362.5i	D372i	D392i
Sensitivity	88	89.5	90.5	91	91	91.5
Qts	0.9	0.73	0.92	1.0	1.0	1.3
Fs (Hz)	78	75	62	65	80	62
Vas (L)	4.8	7.1	11.5	16	11.5	17.4
Re (ohm)	3.5	3.6	3.6	3.6	3.5	3.6
Xmax (mm/N)	2	2.5	3.5	4	4	4
Impedance (ohm)	4	4	4	4	4	4
Power (Watts) Nom/Max	25/50	45/90	60/120	60/120	60/120	75/150

## PHYSICAL DIMENSIONS

Dimension (Inches)	D342/342i	D352/D352i	D362/D362i	D362.5/ D362.5i	D372i	D392i	D3TAK
Total Diameter (A)	4.3	5.6	6.25	6.5	5.6 x 8.7	1.73	1.73
Mounting Diameter (B)	3.94	4.68	5.35	5.35	4.9 x 7.1	4.9 x 8.4	1.62
Screw Hole Diameter (C)	4.5	5.24	5.9	6.1	4.3 x 4.6	4.7 x 6.6	N/A
Mounting Depth (D)	1.8	2.26	2.26	2.3	2.31	2.8	.05
Magnet Diameter (E)	2.83	3.1	3.3	3.3	3.1	4.2	N/A



## LIMITED SPEAKER WARRANTY STATEMENT

---

Diamond Audio Technologies, LLC (DAT) warrants this product to be free from defects in material and workmanship for a period of one (1) year from the original date of purchase provided it was purchased from an authorized DAT retailer within the United States. However, if this product was installed by the authorized DAT retailer, the warranty period will be extended to three (3) years.

THIS WARRANTY IS NOT TRANSFERABLE AND APPLIES ONLY TO THE ORIGINAL PURCHASER OF THIS PRODUCT IN ITS ORIGINAL INSTALLATION. Original purchaser must reside in the United States and be able to provide proof of purchase and installation with the sales receipt from the authorized DAT retailer that sold and installed the product.

Should a manufacturing defect occur during above said warranty period, DAT will replace or repair the defective product with a product of the same or equivalent value and performance.

Damage or failure caused by any of the following is not covered under this warranty policy: negligence, improper use, abuse, product modification, unauthorized repair attempts, accident, acts of God, misrepresentations by DAT retailers, and improper/inadequate packaging during return shipping.

**Warranty is void if serial numbers have been removed, altered or defaced.**

## HOW TO OBTAIN WARRANTY SERVICE

---

In the event a DAT product should require service, you should visit the authorized DAT retailer you purchased the product from and they can expedite your claim. All claims must fall into the guidelines listed above and be accompanied by a copy of the original sales and installation receipt from that authorized DAT retailer.

Product returned for warranty service must be freight-prepaid, properly packaged and clearly marked with the Return Authorization (RA) number issued by DAT. Any product returned to DAT that is improperly packaged, does not have a RA number clearly marked on the package, or never received a RA number may be refused upon delivery. DAT does not assume responsibility for lost or misdirected product.

Repair or replacement under this warranty is the exclusive remedy of the consumer. DAT shall not be liable for any incidental or consequential damages for breach of any expressed or implied warranty on this product. Some states do not allow the exclusion or limitation of incidental or consequential damages, or allow limitations on how long an implied warranty lasts, so the above limitations or exclusions may not apply to you. This warranty gives you specific legal rights and you may also have other rights that may vary from state to state.

Customers outside the United States should contact their local sales office to obtain information on pricing, exchange unit availability, instructions, service and warranty/non-warranty replacement or repair.



**DIAMOND**  
AUDIO TECHNOLOGIES, LLC

### **Diamond Audio Technologies, LLC**

6965 S. Priest Drive Suite 5  
Tempe, AZ 85283 USA

Tel: 480.813.6200  
Fax: 480.813.6210  
Web: [diamondaudio.com](http://diamondaudio.com)

**Service/Tech Support:**  
Toll Free 1-866-328-2834

**Tech Support Email**  
[techsupport@diamondaudio.com](mailto:techsupport@diamondaudio.com)



## Free Manuals Download Website

<http://myh66.com>

<http://usermanuals.us>

<http://www.somanuals.com>

<http://www.4manuals.cc>

<http://www.manual-lib.com>

<http://www.404manual.com>

<http://www.luxmanual.com>

<http://aubethermostatmanual.com>

Golf course search by state

<http://golfingnear.com>

Email search by domain

<http://emailbydomain.com>

Auto manuals search

<http://auto.somanuals.com>

TV manuals search

<http://tv.somanuals.com>