

Disclaimer and warranty

Important disclaimer, please read!

Unauthorized reproduction or reverse engineering is strictly prohibited! Intellectual property included is distributed under specific license agreement with respective owners and is licensed only, not sold. No warranty, explicit or implied, is stated. Neither DICE Electronics, LLC., nor any of its agents, distributors, dealers or vendors shall be liable for damages.
 IN NO EVENT SHALL DICE ELECTRONICS' LIABILITY EXCEED THE PRICE PAID FOR THE PRODUCT FROM DIRECT, INDIRECT, SPECIAL, INCIDENTAL, OR CONSEQUENTIAL DAMAGES RESULTING FROM THE USE OF THE PRODUCT, ITS ACCOMPANYING SOFTWARE OR ITS DOCUMENTATION.

For internal use only. Do not submerge or expose to water or other fluids. DICE G2 cradle is NOT water proof and it will be damaged by water. You must properly insulate its casing if your installation environment may subject the unit to water, such as a convertible vehicle.

Keep away from children! DICE G2 cradle can be broken, or disassembled, and components may become loose from vibration and heat. Small components and packaging materials may become choking hazard when handled by children.

Warning! Never place any objects directly into the path of an airbag. DICE Electronics does not accept any responsibility for any damage or injury as a result of using this product. Exercise good judgment and keep your eyes on the road at all times!

DICE logo is a trademark of DICE Electronics, LLC. Kuda is a trademark of KUDA Group. iGrip is a trademark of HR GmbH & Co. KG. ProClip is a trademark of ProClip USA Inc. The Made for iPod logo is a trademark of Apple Inc. The Works with iPhone logo is a trademark of Apple Inc. Apple iPod is not included in the package.

Warranty and Support

If you experience any problems or need help, please contact your local dealer or call DICE Electronics, LLC. At 888-342-3999 or visit us at <http://diceelectronics.com/product-support>

Products carry a 1 year limited warranty that protects you from defects in material and workmanship of products sold by DICE Electronics or its authorized agents, distributors and dealers. The warranty period begins the day a product is purchased by the end user. Products found to be defective during the warranty period will either be repaired or replaced by DICE Electronics at no charge unless warranty is void. Unauthorized attempt of repair or alteration of the product in any way immediately voids this warranty. Warranty does not extend to cosmetics or finish. A DICE product specialist must determine that a defect is present in the product and issue an RMA. Be sure that all wiring is connected as described in the user manual and all related equipment is functioning properly. DICE Electronics disclaims any liability for other incurred damages resulting from product defects. Any expenses in the removal and reinstallation of products are not covered by this warranty.
 PLEASE NOTE: International customers requiring a product replacement, please contact the dealer your product was purchased from!

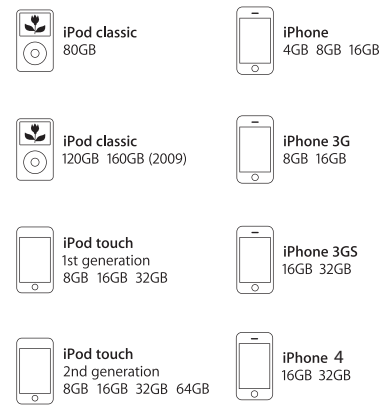
DICE G2 cradle

Universal 5V Cradle for iPod and iPhone
 Model: DCR-50-PTH
Installation Guide/User Manual

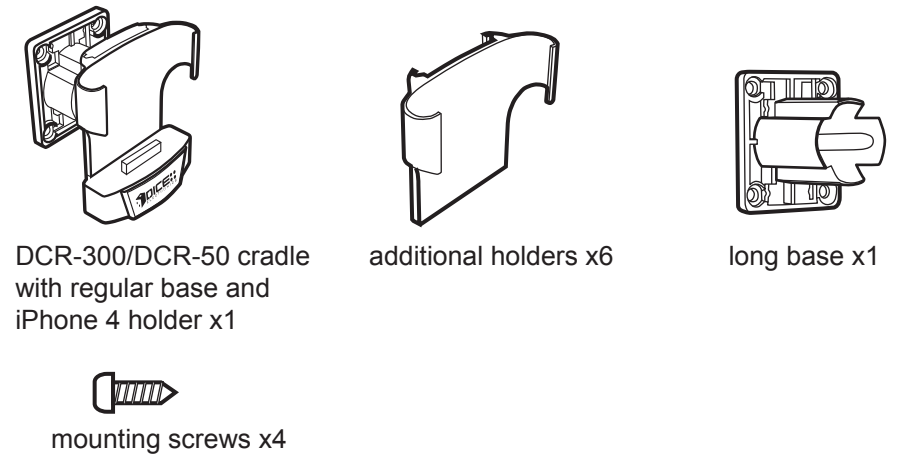
Table of contents

Disclaimer and warranty1
 Compatible iPod & iPhone2
 G2 cradle contents3
 Choose the correct holder4
 Installation5
 Mounting option6
 Connect the cradle7
 Long base installation8
 Adjusting the angle9

Compatible iPod & iPhone

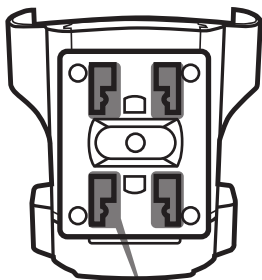


G2 cradle DCR-300/DCR-50 contents

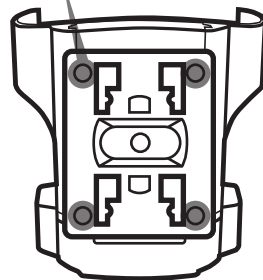


Mounting option

These holes are designed to allow you to screw the cradle base to AMPS standard mounts (ProClip™, Kuda™, etc).

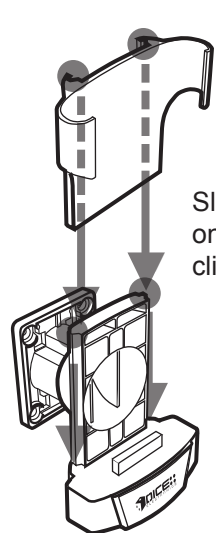


These holes are designed to fit vehicle mounts from iGrip™.

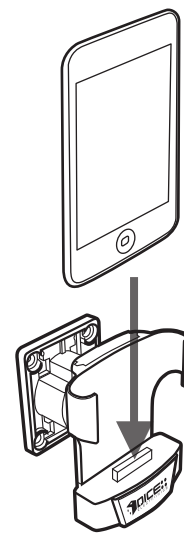


Use the screws (x4) in the package to screw the cradle to AMPS standard mounts.

Installation

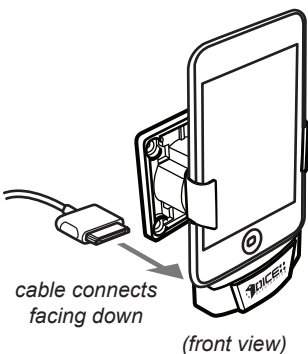


Slide the correct holder onto the cradle until it clicks.



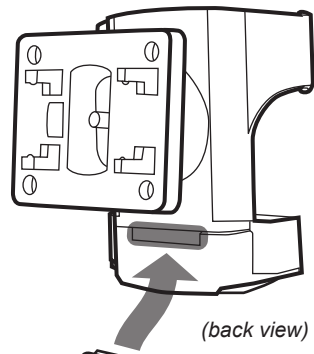
Slide the iPhone/iPod into the holder

Connect the Cradle



cable connects facing down

(front view)

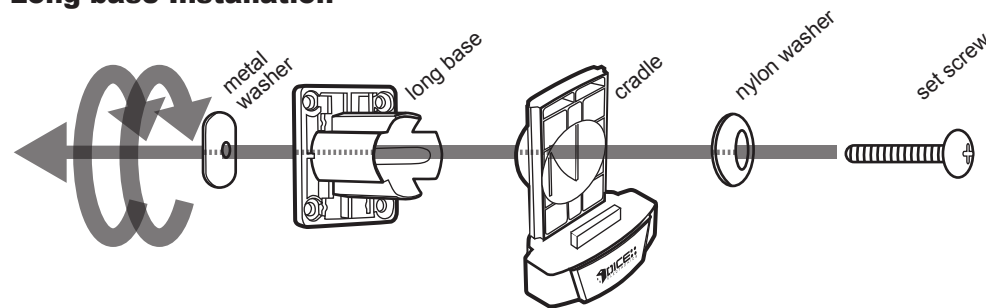


(back view)

Attach the iPod dock cable into the connector on the back of the cradle

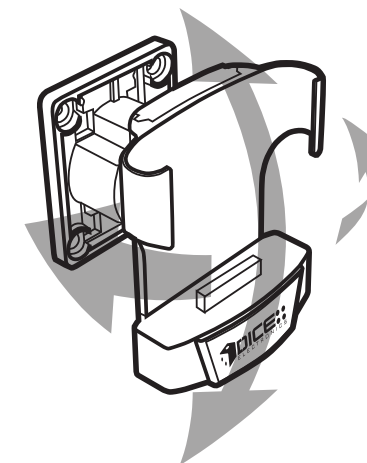
Marking is on the bottom side!

Long base Installation



If the long base will fit your car interior more appropriately than the short one, then please follow the illustration to attach the long base to the cradle. Turn the base clockwise to tighten the base to the cradle.

Adjusting the angle



To adjust the angle of the cradle, please loosen the set screw enough for the cradle to move freely. When you are done adjusting the angle, hold the base and tighten the set screw. DO NOT OVER TIGHTEN!

Free Manuals Download Website

<http://myh66.com>

<http://usermanuals.us>

<http://www.somanuals.com>

<http://www.4manuals.cc>

<http://www.manual-lib.com>

<http://www.404manual.com>

<http://www.luxmanual.com>

<http://aubethermostatmanual.com>

Golf course search by state

<http://golfingnear.com>

Email search by domain

<http://emailbydomain.com>

Auto manuals search

<http://auto.somanuals.com>

TV manuals search

<http://tv.somanuals.com>