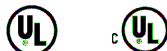
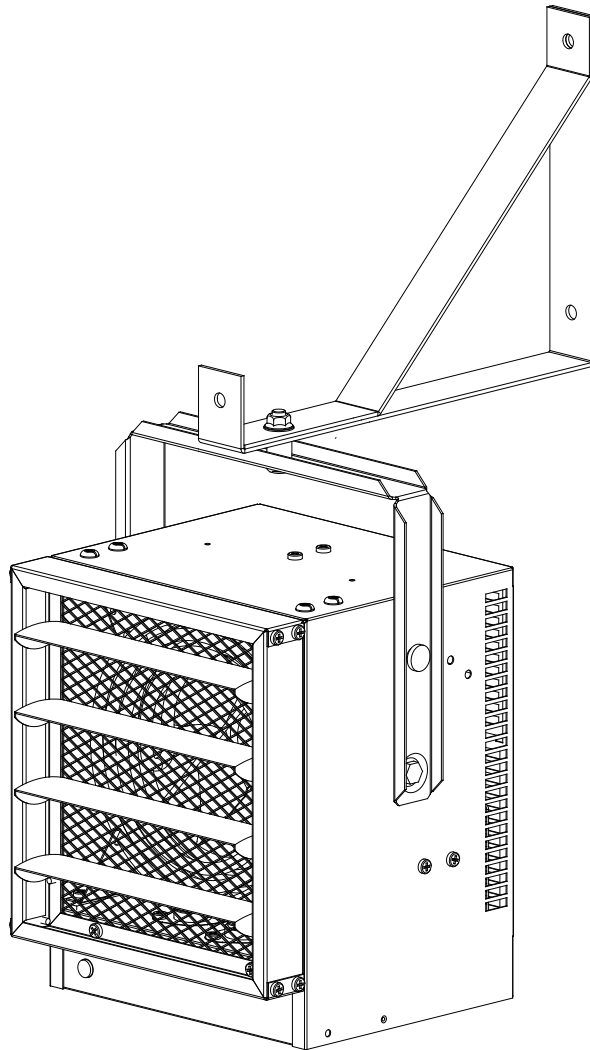


Dimplex[®]

North America Limited

**PRACTICAL USER'S GUIDE
FOR THE
DIMPLEX COMPACT UNIT HEATER
MODEL: CUH05B31T**



7208960100R00

QUICK REFERENCE GUIDE

1. Prior to the first use of the heater verify the circuit breakers for the heater are on.
 2. The heater may emit a slight, harmless odor when first used. This odor is a normal condition caused by the initial heating of internal heater parts and will not occur again.
 3. If you have any technical questions, questions regarding the operation of your heater, or require service for your heater contact Dimplex North America customer service at 1-888-DIMPLEX (1-888-346-7539).
-

CONTENTS

PAGE 1	Important Instructions
PAGE 2	Heater Location and Clearances
PAGE 2	Electrical Connection
PAGE 3	Installation With Wall / Ceiling Hanger Bracket
PAGE 4	Operation (Setting the Thermostat)
PAGE 4	Maintenance and Cleaning
PAGE 4	Warranty

IMPORTANT INSTRUCTIONS

PLEASE RETAIN THIS USER'S GUIDE FOR FUTURE REFERENCE

When using electrical appliances, basic precautions should always be followed to reduce the risk of fire, electric shock, and injury to persons, including the following:

1. Read all instructions before using this heater.
2. This heater is hot when in use. To avoid burns, do not let bare skin touch hot surfaces. Keep combustible materials, such as furniture, pillows, bedding, papers, clothes, and curtains at least 3 feet (0.9m) from the front of the heater and keep these away from the sides and rear.
3. Extreme caution is necessary when any heater is used by or near children or invalids and whenever the heater is left operating and unattended.
4. Do not install less than 6 feet (1.9m) from the floor.
5. Do not operate heater if: supplied wire is damaged; heater has malfunctioned; or heater has been dropped / damaged in any manner. Return heater to authorized service facility for examination, electrical or mechanical adjustment, or repair.
6. Do not use outdoors.
7. Heater - not intended for use in bathrooms, laundry areas and similar indoor locations. Never locate heater where it may fall into a bathtub or other water container.
8. Connect to properly grounded outlets only.
9. Do not insert or allow foreign objects to enter any ventilation or exhaust opening as this may cause an electric shock to persons and / or may cause fire or damage to heater.
10. To prevent a possible fire, do not block air intake or exhaust in any manner.
11. All electrical heaters have hot, and arcing or sparking parts inside. Do not use in areas where gasoline, paint, or flammable liquids are stored or where the unit will be exposed to flammable vapors.
12. Do not modify this heater. Use it only as described in this manual. Any other use is not recommended by the manufacturer and may cause fire, electric shock or injury to persons.
13. This heater includes a visual alarm (red light) to warn that parts of the heater are over heating. If the red light turns on, immediately turn heater off and inspect for any objects on or adjacent to the heater that may cause high temperatures.
DO NOT OPERATE WHEN RED LIGHT IS ON.
14. Always use a certified electrician should new circuits or outlets be required.
15. Disconnect all power supplies before performing any cleaning, maintenance or relocation of the heater.
16. When transporting or storing the heater, keep in a dry place, free from excessive vibration and store so as to avoid damage.

SAVE THESE INSTRUCTIONS

HEATER LOCATION AND CLEARANCES

The heater is to be installed in a fixed location. The discharge air should wipe the walls without blowing directly on them. (FIGURE 1)

Ensure the air discharge is parallel to or away from walls.

NOTE: To prevent personal injury always use a licensed electrician to install new outlets or circuits.

CAUTION: When turning and/or tilting the heater do not block the exhaust opening.

OUTSIDE WALL

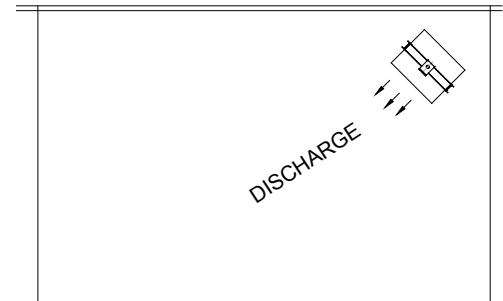


FIGURE 1

INSTALLATION WALL/CEILING HANGER BRACKET (FIGURE 2)

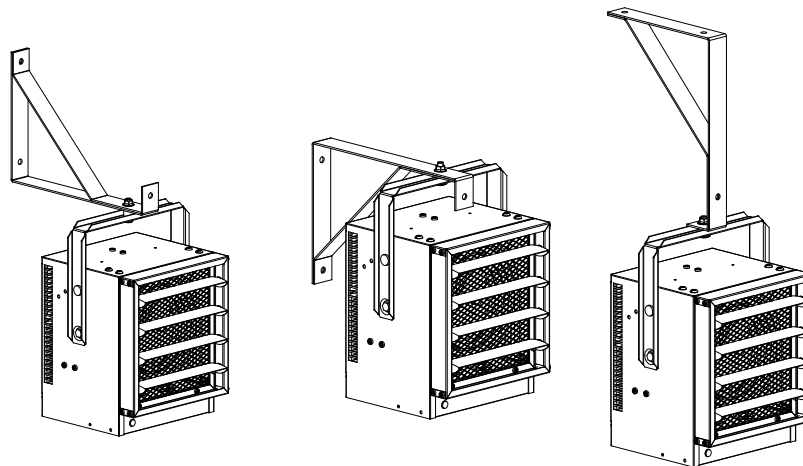
NOTE: To prevent personal injury always use a licensed electrician to install new outlets or circuits.

The hanger bracket allows the unit to be rotated approx 45 degrees in each direction from center, when attached to wall and tilted in 45 degrees range while suspended from the wall or ceiling.

NOTE: The hardware for mounting the hanger bracket to the wall or ceiling is not included.

CAUTION: When turning and/or tilting the heater do not block the exhaust opening.

FIGURE 2

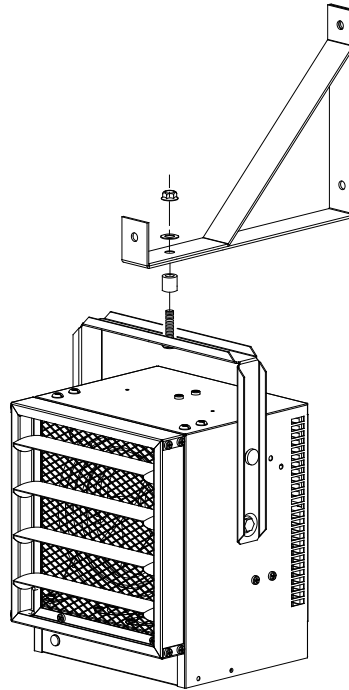


The following steps are shown in FIGURE 3:

1. Locate a stud or other suitable support and install hanger bracket on wall or ceiling. Select location so control knob on back of heater will be reached easily. *
2. Insert carriage bolt into square opening of heater handle.
3. Slide spacer over the carriage bolt shaft and insert in hanger bracket opening and hold them in position.
4. Slide lock washer and thread on nut onto carriage bolt, turn and tighten with wrench.

* DO NOT INSTALL LESS THAN 6 FEET (1.9m) FROM THE FLOOR

FIGURE 3



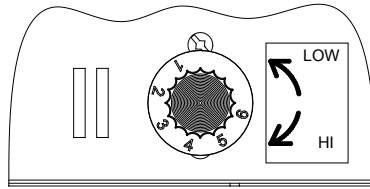
ELECTRICAL CONNECTION

WARNING: Consult local electrical codes in addition to the following requirements

1. Turn off main power supply at the electrical panel.
2. Route supply wires from circuit breaker to an approved junction box, located near compact unit heater. These supply wires must be two conductor non-metallic sheath cable with ground wire. Each heater should be on an individual, properly fused circuit.
3. Route supply wires from junction box to CUH. These supply wires must be two conductor metallic sheath (BX) cable with ground wire. Alternatively, appropriate conduit can be used.
4. Remove junction box cover of CUH and remove one knockout hole. Insert approved bushing into hole and feed wire cable through. Tighten bushing around cable.
5. Make electrical connection to CUH according to relevant wire diagram. Make connections using approved wire nut connectors and secure the grounding wire to the ground screw on the heater chassis.
6. Replace junction box cover of CUH.

OPERATION (Setting the Thermostat)

1. Before connecting or disconnecting the plug, turn unit off by turning knob fully **counter clockwise**. (See FIGURE 4)
2. Heater is equipped with a thermostat. To adjust temperature to your individual requirements, turn thermostat control knob **clockwise** all the way to turn heater on. When room reaches desired temperature, turn thermostat knob **counter clockwise** until you hear a click. Leave in this position to maintain room temperature at this setting. For additional heat, turn **clockwise** until you hear a click again and heater will turn on. To turn heater to lowest setting, turn thermostat knob **counter clockwise** all the way.



Thermostat Control Knob

FIGURE 4

MAINTENANCE AND CLEANING

WARNING:

Disconnect power before attempting any maintenance or cleaning to reduce the risk of fire, electric shock or damage to persons.

Allow at least 30 minutes for the heater to cool before attempting any maintenance or cleaning. To clean the exterior surface, use a solution of water and mild detergent, apply with damp sponge. Wipe dry with a dry cloth. **DO NOT** re-energize unit until it has dried thoroughly.

WARRANTY

Dimplex Electric Heaters are tested and inspected prior to shipment and are guaranteed free from defect to the purchaser of each new product. Any part which proves to be defective in material or workmanship under normal use within one year will be repaired or replaced without charge. The Company will not be responsible for any expense incurred for installation, removal from service, or transportation costs. Any such defect should be brought to the attention of the Dealer where the product was purchased and is authorized to repair or replace within the terms of this warranty.

The Company's only obligation under this warranty will be at its sole option to repair or replace any part proving defective or to refund the purchase price thereof.

The owner/user assumes all other risks, if any, including the risk of any direct, indirect or consequential loss or damage arising out of the use of or inability to use the product.

The warranty will not apply if, in the sole judgment of the Company, damage or failure has resulted from accident, alteration, misuse, abuse, incorrect installation, or operation on an incorrect power source.

The foregoing is in lieu of all other warranties expressed, implied, or statutory, and the Company neither assumes, nor authorizes any person to assume for it any other obligation, or liability in connection with said product.

Dimplex[®]

North America Limited

1-888-DIMPLEX
1-888-346-7539

1367 Industrial Road, Cambridge, Ontario, Canada, N1R 7G8

4

Free Manuals Download Website

<http://myh66.com>

<http://usermanuals.us>

<http://www.somanuals.com>

<http://www.4manuals.cc>

<http://www.manual-lib.com>

<http://www.404manual.com>

<http://www.luxmanual.com>

<http://aubethermostatmanual.com>

Golf course search by state

<http://golfingnear.com>

Email search by domain

<http://emailbydomain.com>

Auto manuals search

<http://auto.somanuals.com>

TV manuals search

<http://tv.somanuals.com>