

**LI 11TER+**  
**LI 16TER+**

**Dimplex**

**Montage- und  
Gebrauchsanweisung**

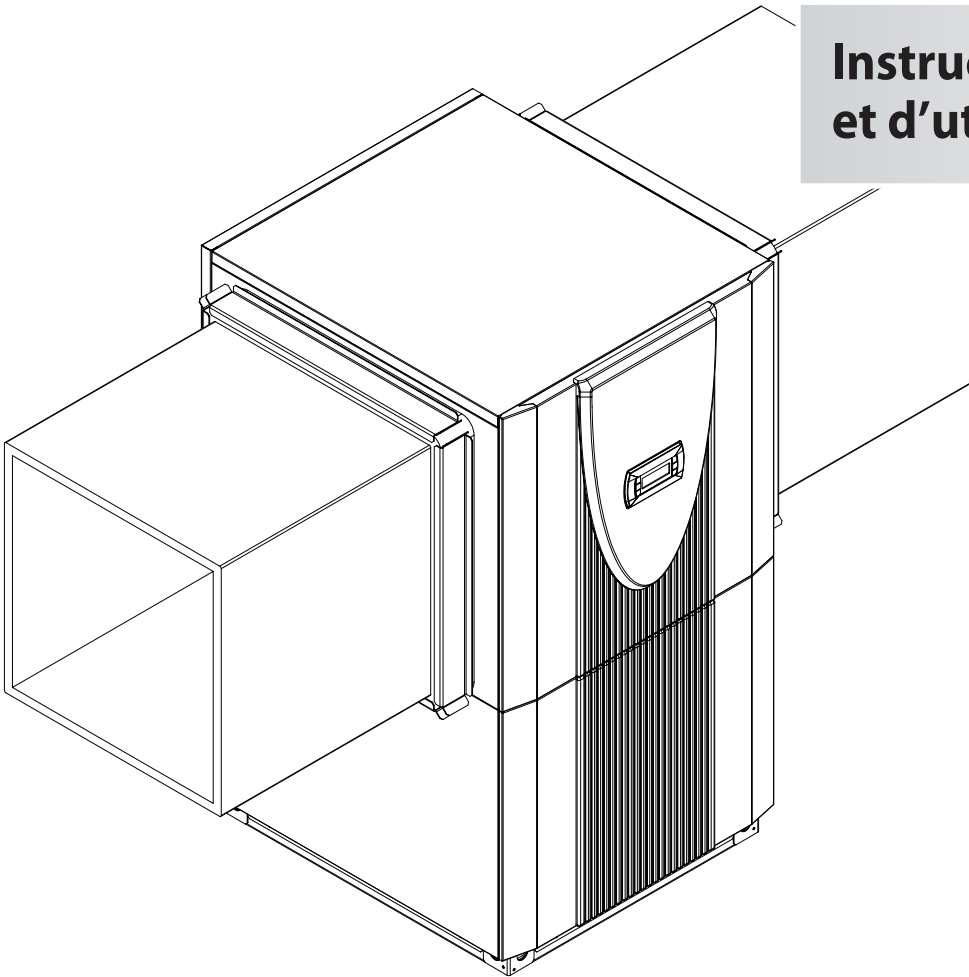
Deutsch

**Installation and  
Operating Instructions**

English

**Instructions d'installation  
et d'utilisation**

Français



**Reversible  
Luft/Wasser-  
Wärmepumpe für  
Innenaufstellung**

**Reversible  
Air-to-Water  
Heat Pump for  
Indoor Installation**

**Pompe à chaleur  
air-eau réversible  
pour installation  
intérieure**

## Table of contents

<b>1</b>	<b>Please Read Immediately .....</b>	<b>E-2</b>
1.1	Important Information.....	E-2
1.2	Legal Regulations and Directives .....	E-2
1.3	Energy-Efficient Use of the Heat Pump .....	E-2
<b>2</b>	<b>Purpose of the Heat Pump .....</b>	<b>E-2</b>
2.1	Application .....	E-2
2.2	Operating Principle .....	E-3
<b>3</b>	<b>Scope of Delivery .....</b>	<b>E-3</b>
3.1	Basic Device .....	E-3
3.2	Switch Box .....	E-4
3.3	Heat Pump Controller .....	E-4
<b>4</b>	<b>Transport.....</b>	<b>E-4</b>
<b>5</b>	<b>Set-up .....</b>	<b>E-5</b>
5.1	General Information .....	E-5
5.2	Condensed Water Pipe.....	E-5
5.3	Sound .....	E-5
<b>6</b>	<b>Installation .....</b>	<b>E-5</b>
6.1	General Information .....	E-5
6.2	Air Connection .....	E-5
6.3	Heating and Hot Water Connection .....	E-6
6.4	Electrical Connection .....	E-6
<b>7</b>	<b>Start-up.....</b>	<b>E-7</b>
7.1	General Information .....	E-7
7.2	Preparation .....	E-7
7.3	Procedure .....	E-7
<b>8</b>	<b>Maintenance / Cleaning .....</b>	<b>E-8</b>
8.1	Maintenance .....	E-8
8.2	Cleaning the Heating System .....	E-8
8.3	Cleaning the Air System .....	E-8
<b>9</b>	<b>Faults / Trouble-Shooting.....</b>	<b>E-8</b>
<b>10</b>	<b>Decommissioning/Disposal .....</b>	<b>E-8</b>
<b>11</b>	<b>Device Information .....</b>	<b>E-9</b>
	<b>Anhang / Appendix / Annexes .....</b>	<b>A-I</b>

# 1 Please Read Immediately

## 1.1 Important Information

### **⚠ ATTENTION!**

The device is not suitable for operation with a frequency converter.

### **⚠ ATTENTION!**

When transporting the heat pump, ensure that it is not tilted more than 45° (in any direction).

### **⚠ ATTENTION!**

The heat pump and transport pallet are only joined by the packing film.

### **⚠ ATTENTION!**

Do not restrict or block the area around the air intake or outlet.

### **⚠ ATTENTION!**

Only operate the heat pump with the air ducts connected.

### **⚠ ATTENTION!**

Ensure that there is a clockwise rotating field: Operating the compressor in the wrong rotational direction could cause damage to the compressor.

### **⚠ ATTENTION!**

Never use cleaning agents containing sand, soda, acid or chloride as these can damage the surfaces.

### **⚠ ATTENTION!**

We recommend the installation of a suitable corrosion protection system to prevent the formation of deposits (e.g. rust) in the condenser of the heat pump.

### **⚠ ATTENTION!**

Before opening the device, ensure that all circuits are isolated from the power supply.

### **⚠ ATTENTION!**

Any work on the heat pump may only be performed by authorised and qualified after-sales service technicians.

## 1.2 Legal Regulations and Directives

The construction and design of the heat pump complies with all relevant EU directives, DIN/VDE regulations (see CE declaration of conformity).

When connecting the heat pump to the power supply, the relevant VDE, EN and IEC standards are to be fulfilled. Any further connection requirements stipulated by local utility companies must also be observed.

When connecting the heating and/or cooling system, all applicable regulations must be adhered to.

Persons, especially children, who are not capable of operating the device safely due to their physical, sensory or mental abilities or their inexperience or lack of knowledge, must not operate this device without supervision or instruction by the person in charge.

Children must be supervised to ensure that they do not play with the device.

## 1.3 Energy-Efficient Use of the Heat Pump

With the purchase of this heat pump you are helping to protect the environment. A prerequisite for energy-efficient operation is the correct design of the heat source system and heating (radiators and circulation pump) or cooling system.

It is particularly important for the efficient heating operation of a heat pump to keep the temperature difference between the heating water and the heat source as small as possible. For this reason, it is advisable to design the heat source and heating system very carefully. **A temperature difference of approx. one Kelvin increases the power consumption by around 2.5%.** When designing the heating system, it should be borne in mind that special consumers such as e.g. domestic hot water preparation should also be taken into consideration and dimensioned for low temperatures. **Underfloor heating systems (panel heating)** are optimally suited for heat pump use on account of the low flow temperatures (30 °C to 40 °C).

It is important to ensure that the heat exchangers are not contaminated during operation because this increases the temperature difference, in turn reducing the COP.

Correct adjustment of the heat pump controller is also important for energy-efficient use of the heat pump. Further information can be found in the heat pump controller's operating instructions.

## 2 Purpose of the Heat Pump

### 2.1 Application

The air-to-water heat pump is designed for use in existing or newly built heating systems.

It is designed exclusively for heating and cooling heating water!

In heating operation, the heat pump is suitable for mono energy and bivalent operation down to an external temperature of -20 °C.

Proper defrosting of the evaporator is guaranteed by maintaining a heating water return flow temperature of more than 18 °C during continuous operation.

The heat pump is not designed for the increased heat consumption required when a building is being dried out. The additional heat consumption should be met using special devices provided by the customer. If a building is to be dried out in autumn or winter, we recommend installing an additional heating element (available as an accessory).

In cooling operation, the heat pump is suitable for temperatures ranging from +15 °C to +40 °C.

It can be used for silent and dynamic cooling. Minimum water temperature +7 °C.

### **⚠ ATTENTION!**

The device is not suitable for operation with a frequency converter.

## 2.2 Operating Principle

### Heating

Surrounding air is drawn in by the ventilator and fed via the evaporator (heat exchanger). The evaporator cools the air, i.e. it extracts heat from it. This extracted heat is then transferred to the working medium (refrigerant) in the evaporator.

The heat is "pumped" to a higher temperature level by increasing its pressure with the aid of an electrically driven compressor. It is then transferred to the heating water using the liquifier (heat exchanger).

Domestic water can be prepared simultaneously, or separately, via the desuperheater connected in series.

Electrical energy is used to raise the temperature of the heat in the environment to a higher level. Because the energy extracted from the air is transferred to the heating water, this type of device is called an air-to-water heat pump.

The air-to-water heat pump consists of the main components evaporator, ventilator and expansion valve, as well as the low-noise compressor, desuperheater, liquifier and electrical control system.

At low ambient temperatures, humidity accumulates on the evaporator in the form of frost reducing the transfer of heat. The evaporator is defrosted automatically by the heat pump as required. Steam may be emitted from the air outlet depending on the atmospheric conditions.

### Cooling

The functions of the evaporator and the liquifier are reversed in the "Cooling" operating mode.

The heating water transfers its heat to the refrigerant via the liquifier which is now functioning as an evaporator. The refrigerant is pumped to a higher temperature level using the compressor. Heat is passed on to the surrounding air via the liquifier (functioning as an evaporator in heating operation).

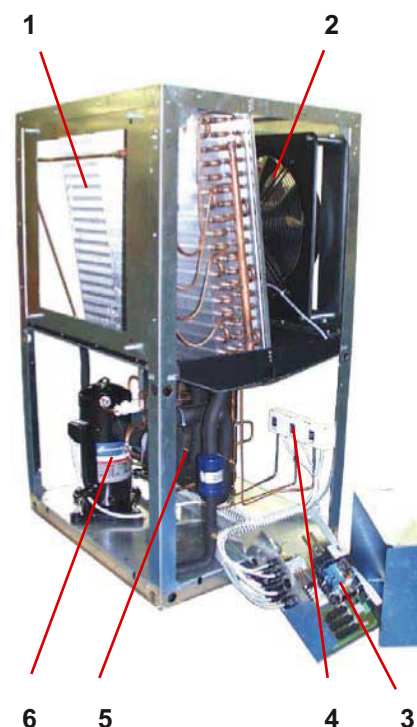
The waste heat can also be used for hot water consumers, such as domestic hot water, swimming pool or bathroom heating, via the additional heat exchanger.

## 3 Scope of Delivery

### 3.1 Basic Device

The heat pump is of compact design and is supplied complete with the components listed below.

R404A is used as the refrigerant.



- 1) Evaporator (heating operation)
- 2) Ventilator
- 3) Switch box
- 4) Pressure switches
- 5) Liquifier (heating operation)
- 6) Compressor

## 3.2 Switch Box

The switch box is located in the heat pump. It can be swung out after removing the lower front cover and loosening the fastening screw located in the upper right-hand corner.

The switch box contains the supply connection terminals, as well as the power contactors, the soft starter unit and the heat pump manager.

## 3.3 Heat Pump Controller

The heat pump manager is a convenient electronic regulation and control device. It controls and monitors the entire heating or cooling system on the basis of the external temperature, including hot water preparation and safety systems.

The customer must install the external temperature sensor, which is included in the scope of supply of the heat pump manager together with the necessary fixing accessories.

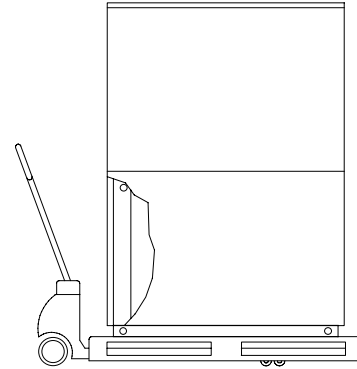
The enclosed operating instructions describe the function and use of the heat pump manager.

## 4 Transport

### **⚠ ATTENTION!**

When transporting the heat pump, ensure that it is not tilted more than 45° (in any direction).

Use a wooden pallet for transporting the heat pump to the final installation location. The basic device can be transported with a lift truck, hand truck or by means of 3/4" pipes fed through the holes in the base plate or frame.

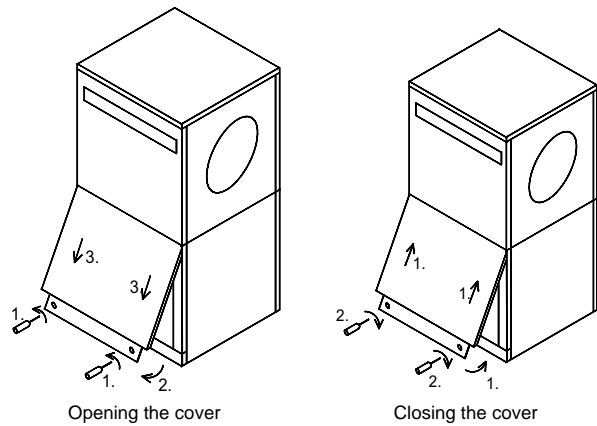


### **⚠ ATTENTION!**

The heat pump and transport pallet are only joined by the packing film.

Before using the transport holes in the frame, it is necessary to remove the lower side panel assemblies. This is done by loosening each of the two screws at the base and then withdrawing the panels by unhooking them from above. Rehang the panels by gently pushing them in an upwards direction.

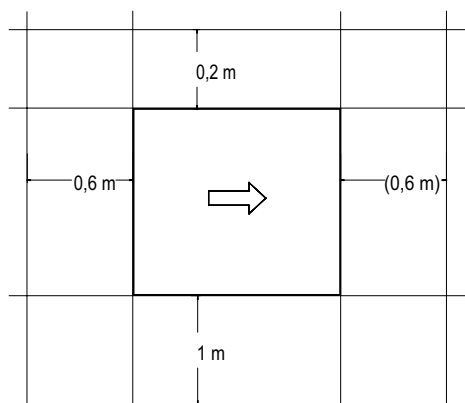
Be careful not to damage any components when inserting the pipes through the frame.



## 5 Set-up

### 5.1 General Information

The unit must be installed indoors on a level, smooth and horizontal surface. The entire base of the frame should lie directly on the floor to ensure a good soundproof seal. If this is not the case, additional sound insulation measures may be necessary. If the device is installed on top of a built-under buffer tank, a surface that fully supports the base is required. The heat pump must be installed so that maintenance work can be carried out without hindrance. This can be ensured by maintaining a clearance of 1 m in front and to the left and right of the heat pump.



Never install the device in rooms subject to high humidity. Condensation can form on the heat pump and air circuit if the humidity exceeds 50% and the external temperature is below 0 °C.

If the heat pump is installed on an upper storey, the load-bearing capacity of the ceiling should be checked. On account of the acoustics, measures for isolating possible vibrations should also be very carefully planned in advance as well. Installation on a wooden floor is not recommended.

### 5.2 Condensed Water Pipe

Condensed water that forms during operation must be drained off frost-free. The heat pump must be mounted on a level plane to guarantee proper drainage. The condensed water pipe must have a minimum diameter of 50 mm and should be fed frost-free into a sewer. Condensate should not be discharged directly into clearing tanks and cesspits because the aggressive vapours could destroy the evaporator.

### 5.3 Sound

To prevent solid-borne sound from being transmitted to the heating system, we recommend connecting the heat pump to the heating system using a flexible hose. Connect the domestic water circuit using the same type of connection.

Installed air ducts should be sound-isolated from the heat pump to prevent the transmission of solid-borne sound to the ducts.

## 6 Installation

### 6.1 General Information

The following connections need to be established on the heat pump:

- Fresh and exhaust air
- Flow and return flow of the heating system
- Flow and return flow of the hot water circuit
- Condensate outflow
- Power supply

### 6.2 Air Connection

#### **⚠ ATTENTION!**

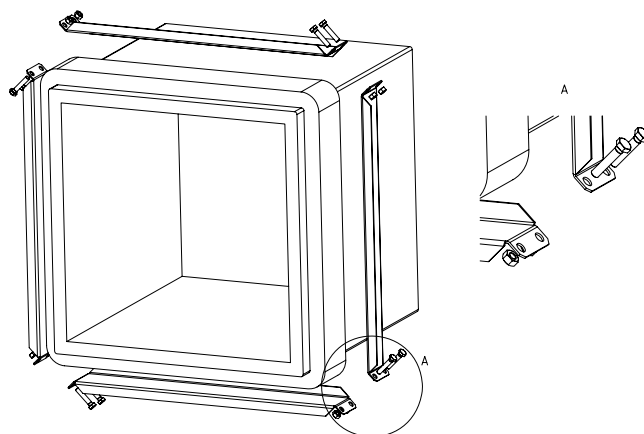
Do not restrict or block the area around the air intake or outlet.

#### **⚠ ATTENTION!**

Only operate the heat pump with the air ducts connected.

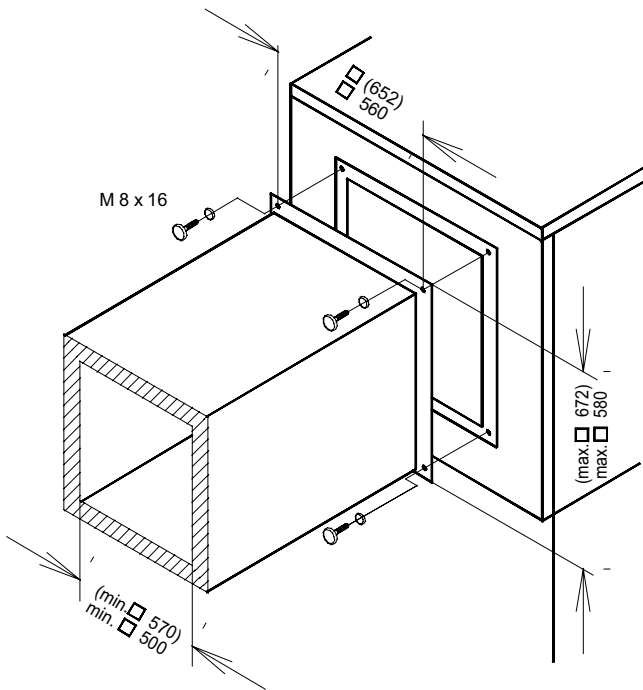
The glass fibre reinforced concrete air ducts offered as accessories are moisture-resistant and diffusion-free.

The sealing collar is used to seal the air ducts on the heat pump. The air ducts are not screwed directly onto the heat pump. Only the rubber seal comes into direct contact with the heat pump when the system is installed correctly. This guarantees easy assembly and disassembly of the heat pump and also ensures that solid-borne sound is well insulated.



If another type of air duct is used, observe the external and internal dimensions as specified in the figure. Also ensure that the vibration and duct insulation are adequate.

If flange-mounted air ducts are used, connecting stubs are secured on the air inlet and air outlet sides of the evaporator with 4 M8 x 16 hexagon bolts in the threaded holes provided. When doing this, ensure that both air duct stubs only touch the insulation. There should be no contact with the external sheeting.



The values in parentheses are valid for the LI 16TER+

## 6.3 Heating and Hot Water Connection

The heating system connections on the heat pump have a 1" external thread. Use a spanner to firmly grip the transitions when connecting the heat pump.

Before connecting the heating water system to the heat pump, the heating system must be flushed to remove any impurities, residue from sealants, etc. Any accumulation of deposits in the liquifier could cause the heat pump to completely break down. For systems in which the heating water flow can be shut off via the radiator or thermostat valves, an overflow valve must be installed by the customer in a heating bypass downstream from the heat pump. This ensures a minimum heating water flow rate through the heat pump and helps to avoid faults.

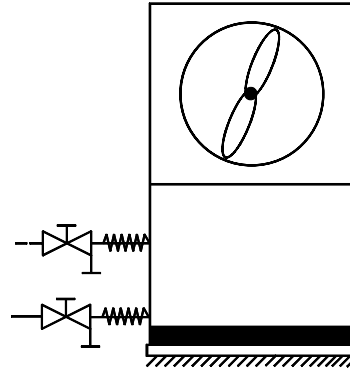
Once the heating system has been installed, it must be filled, de-aerated and pressure-tested.

### Minimum heating water flow rate

The minimum heating water flow rate through the heat pump must be assured in all operating states of the heating system. This can be accomplished, for example, by installing either a manifold without differential pressure or an overflow valve. The procedure for adjusting an overflow valve is described in the Chapter Start-up.

### Antifreeze

A method of manual drainage (see illustration) should be provided for heat pumps which are exposed to frost. The antifreeze function of the heat pump controller is active whenever the controller and the heat circulating pump are ready for operation. If the heat pump is taken out of service or in the event of a power failure, the system has to be drained. The heating circuit should be operated with a suitable antifreeze if heat pump systems are implemented in buildings where a power failure can not be detected (holiday home).



## 6.4 Electrical Connection

The power supply and control voltage are supplied using standard cables (load: 4-core, control: 3-core).

An all-pole disconnecting device with a contact gap of at least 3 mm (e.g. utility blocking contactor or power contactor) as well as a 3-pole circuit breaker with common tripping for all external conductors must be installed in the power supply (tripping current in compliance with the Device Information).

Ensure that the incoming supply has a clockwise rotating field when connecting multiphase devices L1; L2; L3.

### **⚠ ATTENTION!**

Ensure that there is a clockwise rotating field: Operating the compressor in the wrong rotational direction could cause damage to the compressor.

The control voltage must be protected by a 10 A fuse.

For detailed information, see Circuit Diagrams in the Appendix.

## 7 Start-up

### 7.1 General Information

To ensure that start-up is performed correctly, it should only be carried out by an after-sales service technician authorised by the manufacturer. This may be a condition for extending the guarantee (see Warranty Service).

Start-up should be carried out in heating operation.

### 7.2 Preparation

The following items need to be checked prior to start-up:

- All of the heat pump connections must be established as described in Chapter 6.
- All valves that could impair the proper flow of the heating water in the heating circuit must be open.
- The air intake and air outlet paths must be clear.
- The ventilator must turn in the direction indicated by the arrow.
- The settings of the heat pump controller must be adapted to the heating system in accordance with the controller's operating instructions.
- Ensure the condensate outflow functions.

### 7.3 Procedure

The heat pump is started up via the heat pump controller. Adjustments should be made in compliance with the instructions.

If an overflow valve is fitted to maintain the minimum heating water flow rate, the valve must be adapted to the requirements of the heating system. Incorrect adjustment can lead to faulty operation and increased energy consumption. We recommend carrying out the following procedure to correctly adjust the overflow valve:

Close all of the heating circuits that may also be closed during operation (depending on the type of heat pump usage) so that the most unfavourable operating state - with respect to the water flow rate - is achieved. This normally means the heating circuits of the rooms on the south and west sides of the building. At least one heating circuit must remain open (e.g. bathroom).

The overflow valve should be opened far enough to produce the maximum temperature spread between the heating flow and return flow listed in the following table for the current heat source temperature. The temperature spread should be measured as close as possible to the heat pump. The heating element of mono energy systems should be disconnected.

Heat source temperature		Max. temperature spread between heating flow and return flow
From	To	
-20 °C	-15 °C	4 K
-14 °C	-10 °C	5 K
-9 °C	-5 °C	6 K
-4 °C	0 °C	7 K
1 °C	5 °C	8 K
6 °C	10 °C	9 K
11 °C	15 °C	10 K
16 °C	20 °C	11 K
21 °C	25 °C	12 K
26 °C	30 °C	13 K
31 °C	35 °C	14 K

Any faults occurring during operation are also displayed on the heat pump controller and can be corrected as described in the operating instructions of the heat pump controller.

For external temperatures below 10 °C and heating water temperatures below 16 °C, the buffer tank should be heated up with the second heat generator to at least 25 °C.

Observe the following procedure to implement a smooth start-up:

- 1) Close all of the heating circuits.
- 2) Fully open the overflow valve.
- 3) Use the controller to select the automatic operating mode.
- 4) Wait until the buffer tank has reached a temperature of at least 25 °C.
- 5) Now slowly reopen the heating circuit valves in succession so that the heating water throughput is constantly raised by slightly opening the respective heating circuit. The heating water temperature in the buffer tank must not be allowed to drop below 20 °C during this process. This ensures that the heat pump can be defrosted at any time.
- 6) Set the minimum volume flow quantity on the overflow valve and heat circulating pump when all heating circuits are fully open and a heating water temperature in the buffer tank of approx. 20 °C is maintained.
- 7) New buildings have an increased heat consumption on account of the energy required to dry them out. This increased heat consumption means that marginally dimensioned heating systems can not always achieve the desired room temperature. In such cases, we recommend keeping a second heat generator on standby during the first heating period. The limit temperature on the heat pump controller should also be turned up to 15 °C.



## 8 Maintenance / Cleaning

### 8.1 Maintenance

To protect the paintwork, avoid leaning anything against the device or putting objects on the device. External heat pump parts can be wiped with a damp cloth and domestic cleaner.

#### **⚠ ATTENTION!**

Never use cleaning agents containing sand, soda, acid or chloride as these can damage the surfaces.

To prevent faults due to sediment in the heat exchanger of the heat pump, ensure that the heat exchanger in the heating system can not be contaminated. We recommend protecting the evaporator by installing a bird guard in the inlet duct. At least 80% of the cross section of the grating should be open. In the event that operating malfunctions due to contamination still occur, the system should be cleaned as described below.

### 8.2 Cleaning the Heating System

The ingress of oxygen into the heating water circuit may result in the formation of oxidation products (rust), particularly if steel components are used. These products enter the heating system via the valves, the circulating pumps and/or plastic pipes. It is therefore essential - in particular with respect to the piping of underfloor heating systems - that only diffusion-proof materials are used.

#### **⚠ ATTENTION!**

We recommend the installation of a suitable corrosion protection system to prevent the formation of deposits (e.g. rust) in the condenser of the heat pump.

Residue from lubricants and sealants may also contaminate the heating water.

In the case of severe contamination leading to a reduction in the performance of the liquifier in the heat pump, the system must be cleaned by a heating technician.

According to today's state of knowledge, we recommend using a 5 % phosphoric acid solution for cleaning purposes. However, if cleaning needs to be performed more frequently, a 5 % formic acid solution should be used.

In either case, the cleaning fluid should be at room temperature. We recommend flushing the heat exchanger in the direction opposite to the normal flow direction.

To prevent acidic cleaning agents from entering the heating system circuit, we recommend connecting the flushing device directly to the flow and return flow of the liquifier of the heat pump.

It is important that the system be thoroughly flushed using appropriate neutralising agents to prevent any damage from being caused by cleaning agent residue remaining in the system.

Acids must be used with great care and all relevant regulations of the employers' liability insurance associations must be adhered to.

If in doubt, contact the manufacturer of the chemicals!

### 8.3 Cleaning the Air System

Air ducts, evaporator, ventilator and condensate outflow should be cleaned of contamination (leaves, twigs, etc.) before each new heating period. Do this by opening the front of the heat pump. The bottom should be opened first followed by the top.

#### **⚠ ATTENTION!**

Before opening the device, ensure that all circuits are isolated from the power supply.

Remove and rehang the side panel assemblies as described in Chapter 4.

To prevent the evaporator and the condensate tray from being damaged, do not use hard or sharp objects for cleaning.

## 9 Faults / Trouble-Shooting

This heat pump is a quality product and is designed for trouble-free and maintenance-free operation. In the event that a fault should occur, it will be indicated on the heat pump manager display. Simply consult the Faults and Trouble-shooting page in the operating instructions of the heat pump manager. If you cannot correct the fault yourself, please contact your after-sales service technician.

#### **⚠ ATTENTION!**

Any work on the heat pump may only be performed by authorised and qualified after-sales service technicians.

## 10 Decommissioning/ Disposal

Before removing the heat pump, disconnect it from the power source and close all valves. Observe all environmentally-relevant requirements regarding the recovery, recycling and disposal of materials and components in accordance with all applicable standards. Particular attention should be paid to the proper disposal of refrigerants and refrigeration oils.

# 11 Device Information

1 Type and order code		LI 11TER+	LI 16TER+
<b>2 Design</b>			
2.1	Model	Reversible	Reversible
2.2	Degree of protection according to EN 60 529 for compact devices and heating components	IP 21	IP 21
2.3	Installation Location	Indoors	Indoors
<b>3 Performance data</b>			
3.1 Operating temperature limits:			
	Heating water flow/return flow <sup>1</sup>	°C / °C	Up to 58 / above 18
	Cooling, flow	°C	+7 to +20
	Air (heating)	°C	-25 to +35
	Air (cooling)	°C	+15 to +40
3.2	Temperature spread of heating water at A7 / W35	9.7	5.0
3.3	Heat output / COP		
	at A-7 / W35 <sup>2</sup>	kW / ---	7.1 / 2.9
	at A-7 / W45 <sup>2</sup>	kW / ---	6.6 / 2.7
	at A2 / W35 <sup>2</sup>	kW / ---	6.4 / 2.3
	at A7 / W35 <sup>2</sup>	kW / ---	8.8 / 3.2
	at A7 / W45 <sup>2</sup>	kW / ---	8.8 / 3.1
	at A10 / W35 <sup>2</sup>	kW / ---	11.3 / 3.8
			11.3 / 3.6
			9.6 / 3.1
			12.2 / 4.1
			12.1 / 3.9
3.4	Temperature spread of cooling water at A35 / W7	6.5	5.0
3.5	Cooling capacity / COP		
	at A27 / W7	kW / ---	8.8 / 2.8
	at A27 / W18	kW / ---	8.8 / 2.8
	at A35 / W7	kW / ---	10.9 / 3.3
	at A35 / W18	kW / ---	10.8 / 3.2
			7.6 / 2.1
			7.5 / 2.1
			9.5 / 2.5
			9.5 / 2.5
3.6	Sound power level	dB(A)	55 / 61
3.7	Sound pressure level at a distance of 1 m (indoors)	dB(A)	50
3.8	Heating water flow with an internal pressure differential of m <sup>3</sup> /h / Pa	1.0 / 3000	1.9 / 10900
3.9	Cooling water flow with an internal pressure differential of m <sup>3</sup> /h / Pa	1.0 / 3000	1.3 / 5900
3.10	Air flow rate with an external static pressure differentia	m <sup>3</sup> /h / Pa	4200 / 0
		m <sup>3</sup> /h / Pa	2500 / 25
3.11	Refrigerant; total filling weight	type / kg	R404A / 5.1
			R404A / 5.7
<b>4 Dimensions, connections and weight</b>			
4.1	Device dimensions	H x W x L cm	136 x 75 x 88
4.2	Device connections to heating system	Inch	G 1 1/4" external
4.3	Device connections to additional heat exchanger (waste heat recovery)	Inch	G 1 1/4" external
4.4	Air duct inlet and outlet (min. internal dimensions)	L x W cm	50 x 50
4.5	Weight of the transportable unit(s) incl. packing	kg	222
<b>5 Electrical connection</b>			
5.1	Nominal voltage; fuse protection	V / A	400 / 16
5.2	Nominal power consumption <sup>2</sup> A2 W35	kW	2.74
			2.86
5.3	Starting current with soft starter	A	23
5.4	Nominal current A2 W35 / cos φ	A / ---	4.9 / 0.8
			5.16 / 0.8
6	Complies with the European safety regulations		3
			3
<b>7 Additional model features</b>			
7.1	Defrosting		Automatic
	Type of defrosting		Reverse cycle
	Defrosting tray included		Yes (heated)
7.2	Heating water in device protected against freezing		Yes <sup>4</sup>
7.3	Performance levels		1
7.4	Controller internal/external		Internal

1. See operating limits diagram

2. This data indicates the size and capacity of the system. For an analysis of the economic and energy efficiency of the system, other parameters, such as, in particular, the defrosting capacity, the bivalence point and regulation, should also be taken into consideration. The specified values, e.g. A2 / W55, have the following meaning: 2 °C external air temperature and 55 °C heating water flow temperature.

3. See CE declaration of conformity

4. The heat circulating pump and the heat pump controller must always be ready for operation.

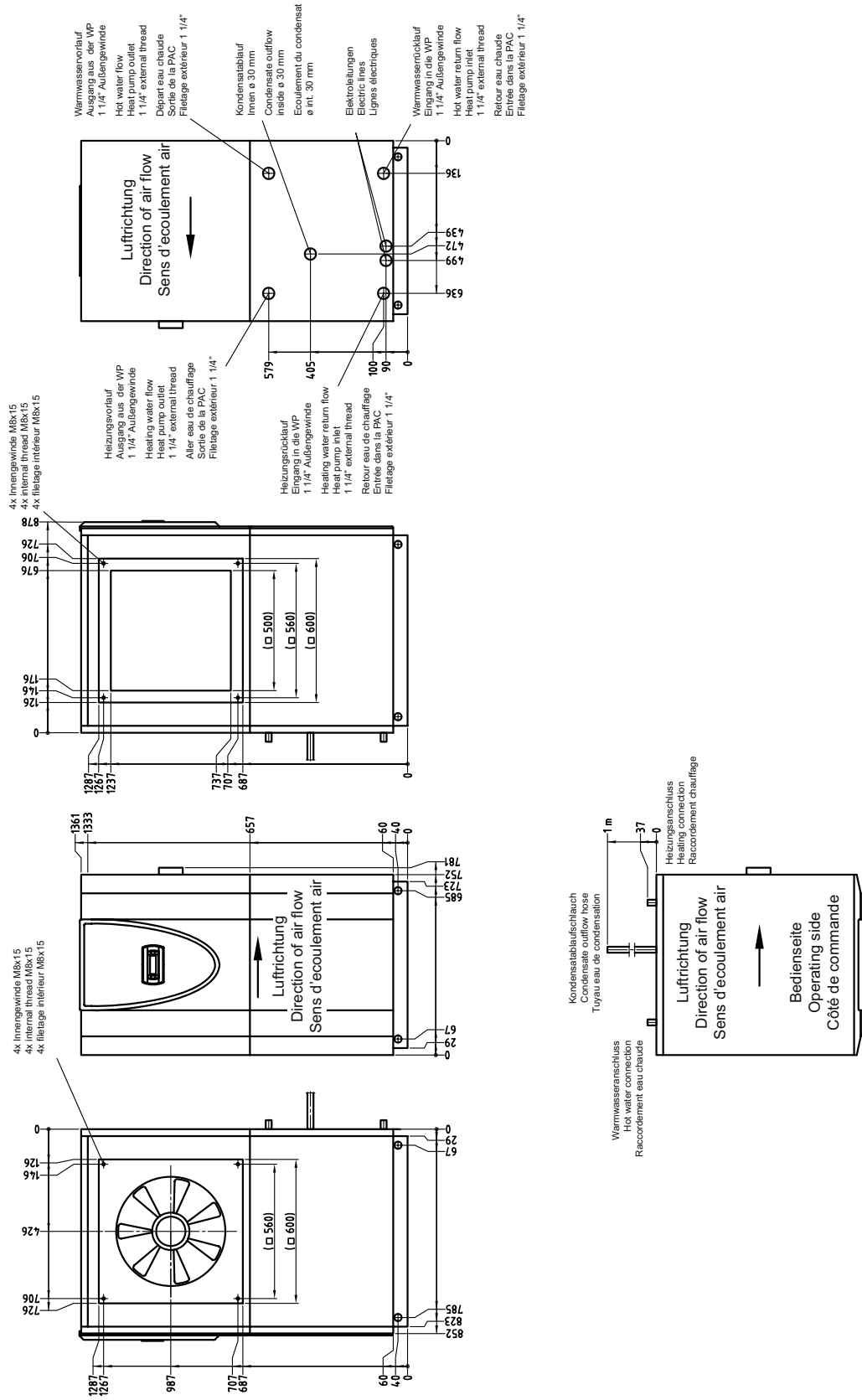
---

## Anhang / Appendix / Annexes

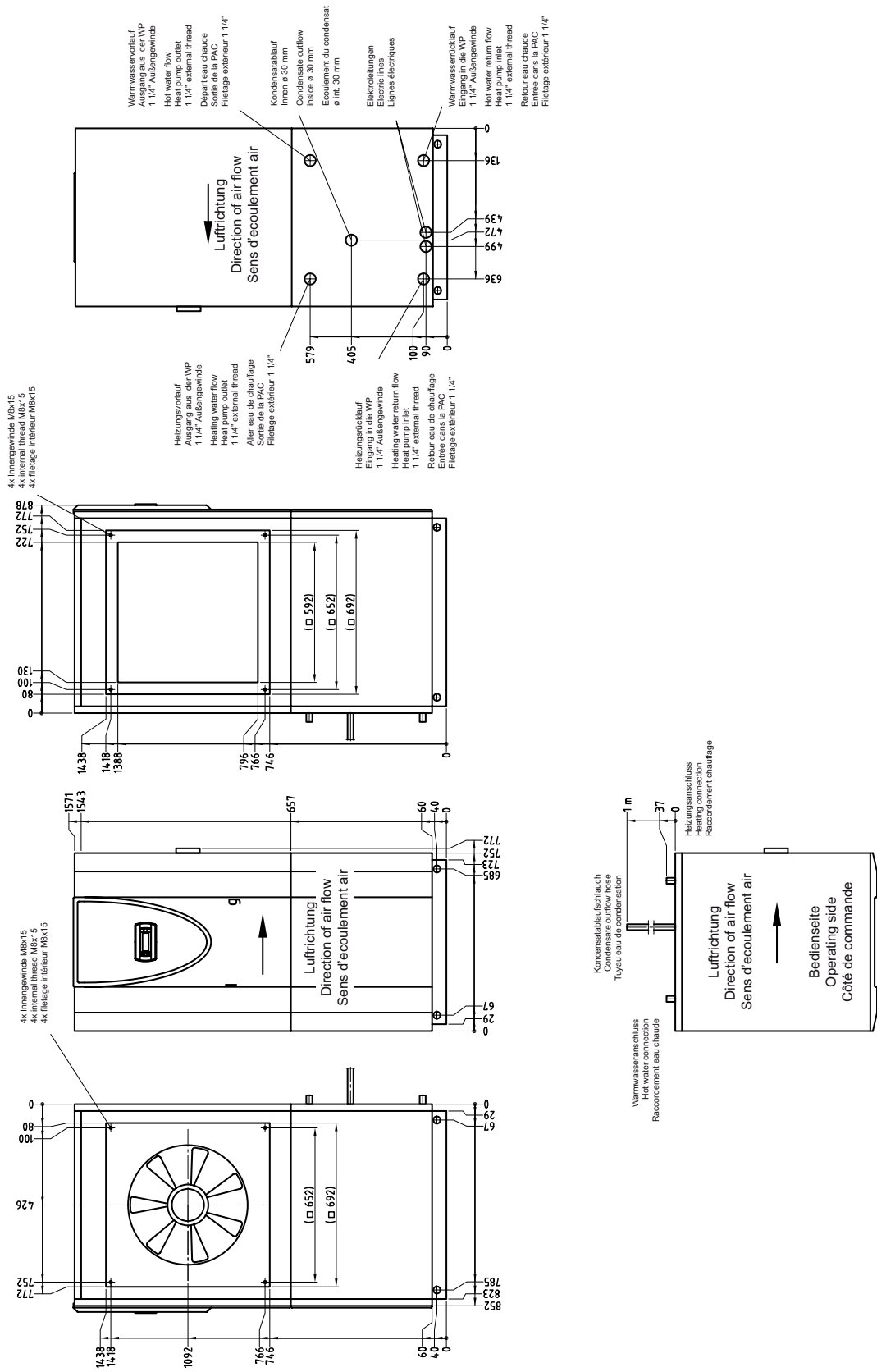
<b>1</b>	<b>Maßbilder / Dimension Drawings / Schémas cotés.....</b>	<b>A-II</b>
1.1	Maßbild / Dimension Drawing / Schéma coté LI 11TER+.....	A-II
1.2	Maßbild / Dimension Drawing / Schéma coté LI 16TER+.....	A-III
<b>2</b>	<b>Diagramme / Diagrams / Diagrammes.....</b>	<b>A-IV</b>
2.1	Heizbetrieb / Heating Operation / Mode chauffage LI 11TER+ .....	A-IV
2.2	Kühlbetrieb / Cooling Operation / Mode refroidissement LI 11TER+.....	A-V
2.3	Heizbetrieb / Heating Operation / Mode chauffage LI 16TER+ .....	A-VI
2.4	Kühlbetrieb / Cooling Operation / Mode refroidissement LI 16TER+.....	A-VII
<b>3</b>	<b>Stromlaufpläne / Circuit Diagrams / Schémas électriques.....</b>	<b>A-VIII</b>
3.1	Steuerung Standardregler / Control of the standard controller / Commande régulateur standard .....	A-VIII
3.2	Steuerung Kühlregler / Control of the cooling controller / Commande régulateur standard .....	A-IX
3.3	Last / Load / Charge .....	A-X
3.4	Anschlussplan Standardregler / Terminal diagram for the standard controller / Schéma électrique du régulateur standard.....	A-XI
3.5	Anschlussplan Kühlregler / Terminal diagram for the cooling controller / Schéma électrique du régulateur refroidissement .....	A-XII
3.6	Legende / Legend / Légende.....	A-XIII
<b>4</b>	<b>Hydraulisches Prinzipschema / Hydraulic Plumbing Diagram / Schéma hydraulique .....</b>	<b>A-XIV</b>
4.1	Darstellung / Schematic View / Représentation.....	A-XIV
4.2	Legende / Legend / Légende.....	A-XV
<b>5</b>	<b>Konformitätserklärung / Declaration of Conformity / Déclaration de conformité .....</b>	<b>A-XVI</b>

# 1 Maßbilder / Dimension Drawings / Schémas cotés

## 1.1 Maßbild / Dimension Drawing / Schéma coté LI 11TER+

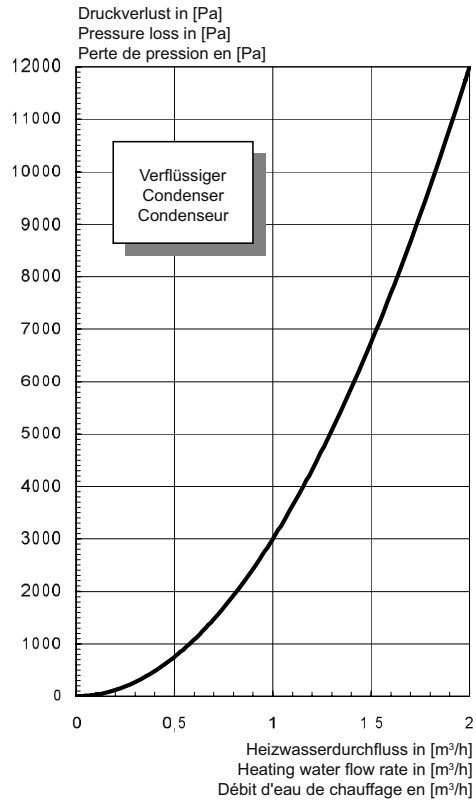
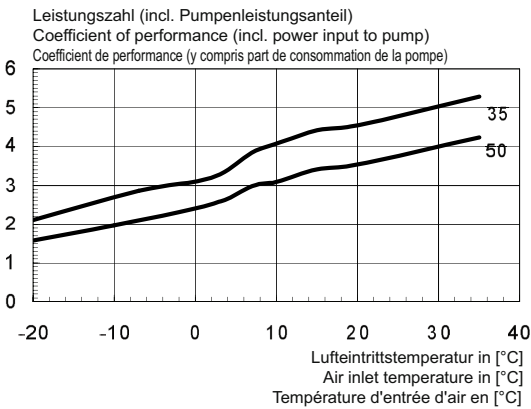
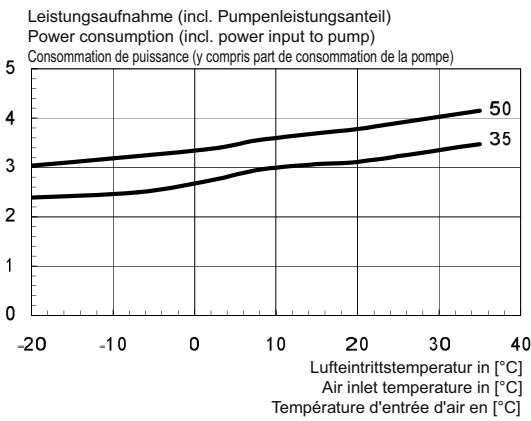
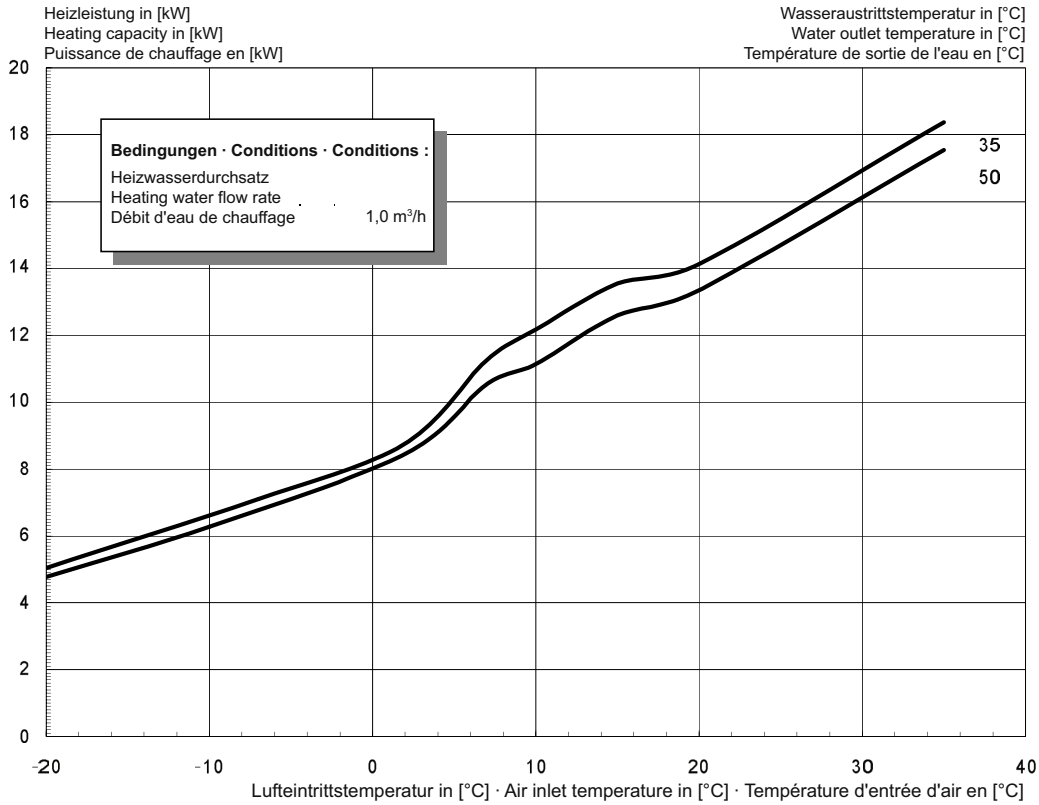


# 1.2 Maßbild / Dimension Drawing / Schéma coté LI 16TER+



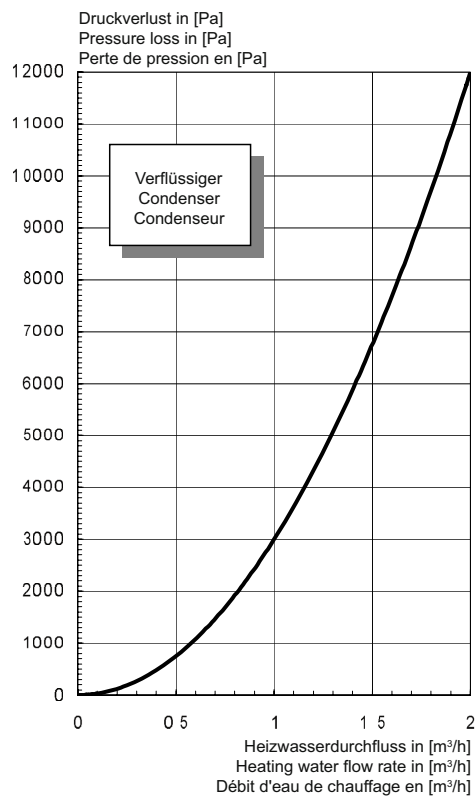
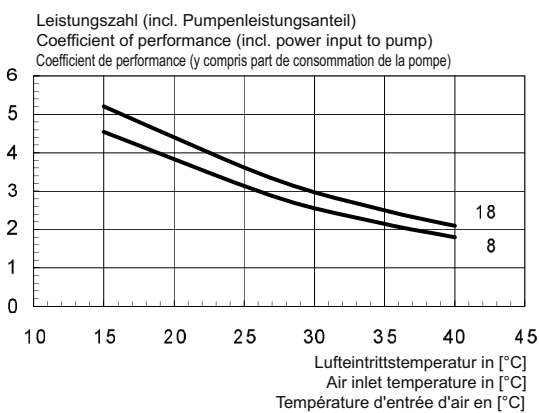
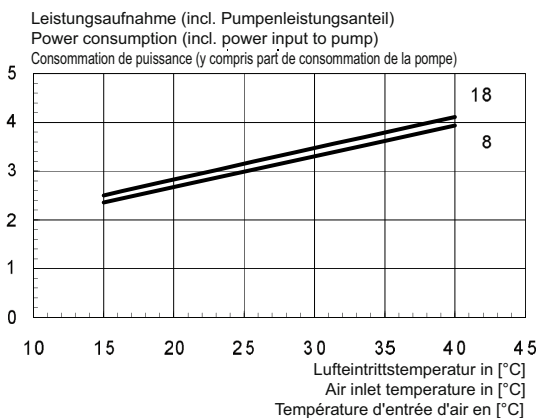
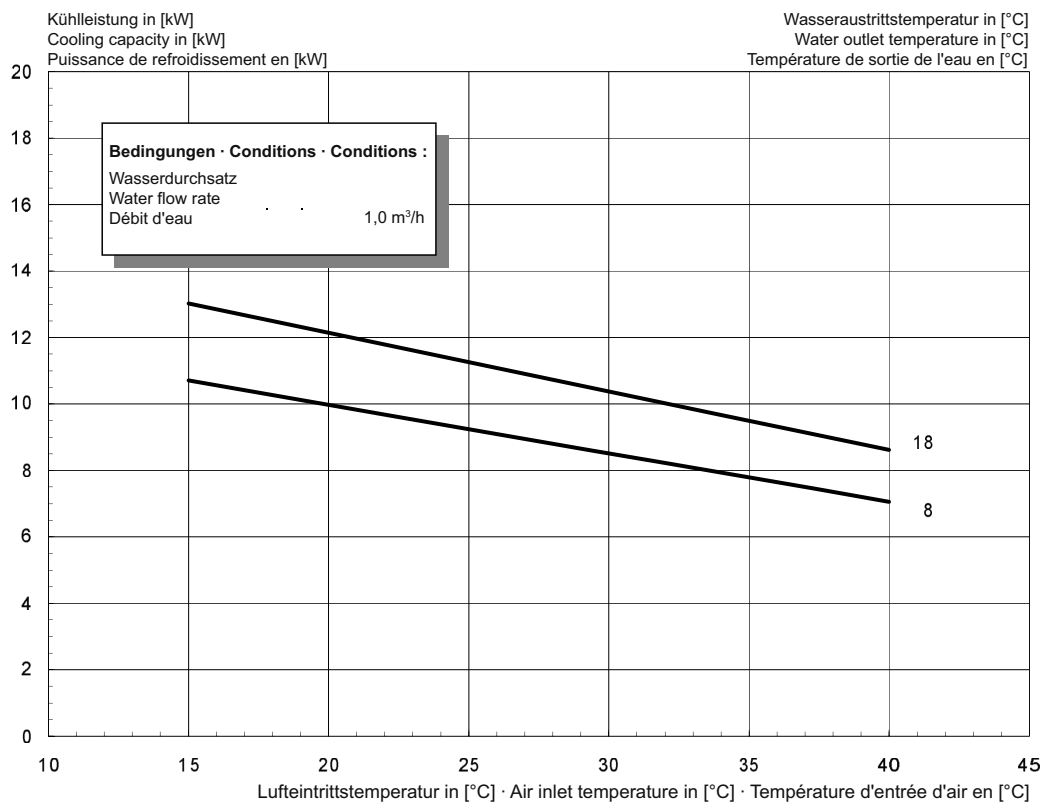
## 2 Diagramme / Diagrams / Diagrammes

### 2.1 Heizbetrieb / Heating Operation / Mode chauffage LI 11TER+

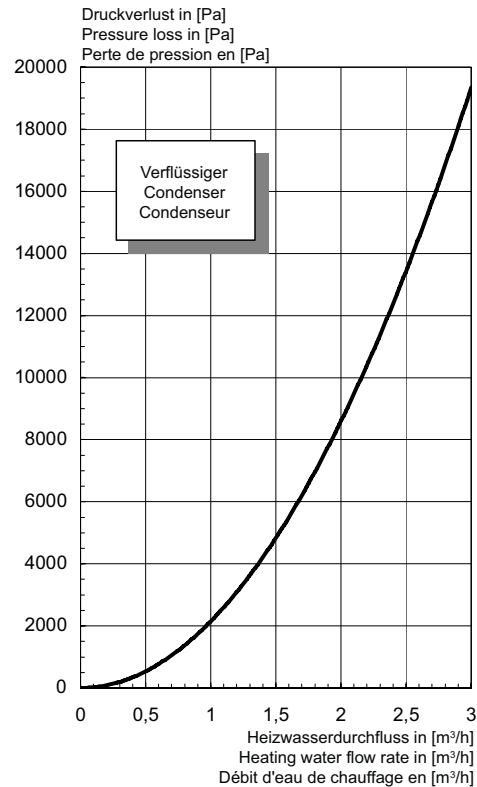
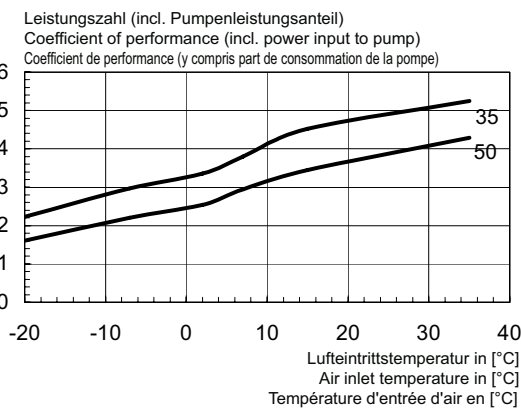
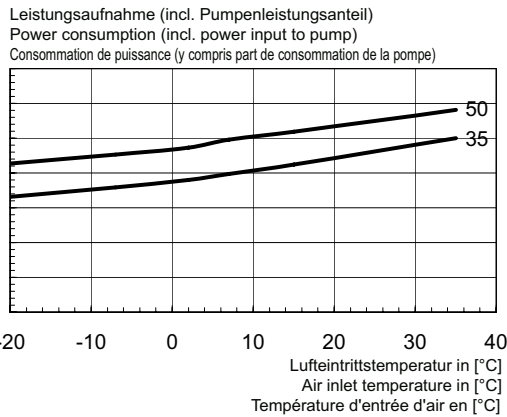
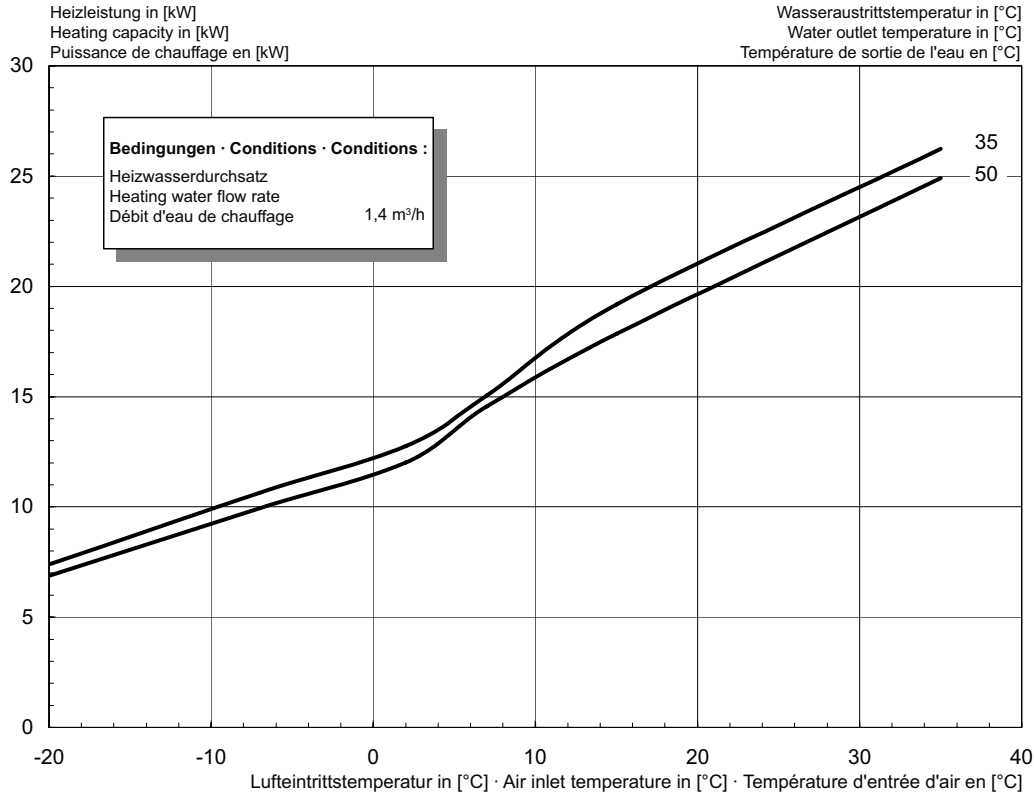


Anhang · Appendix · Annexes

## 2.2 Kühlbetrieb / Cooling Operation / Mode refroidissement LI 11TER+

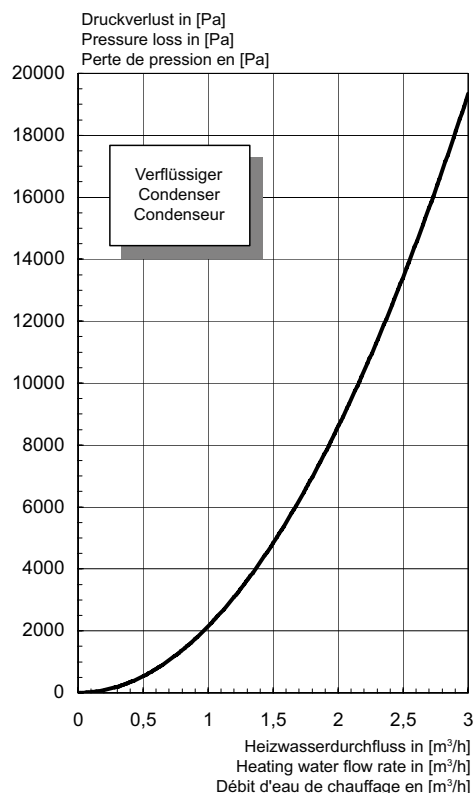
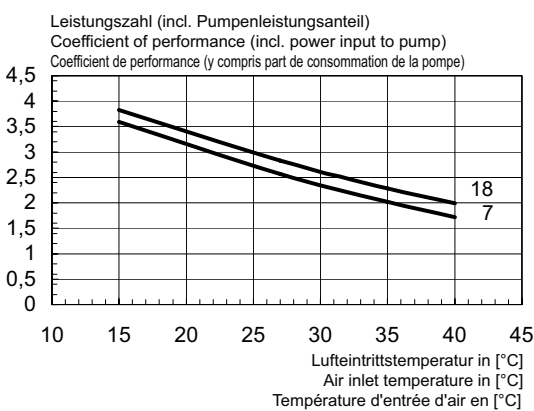
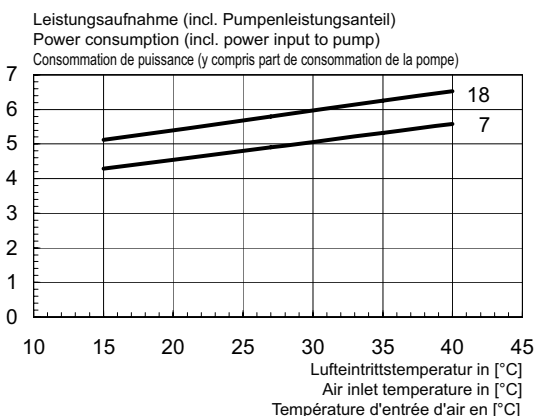
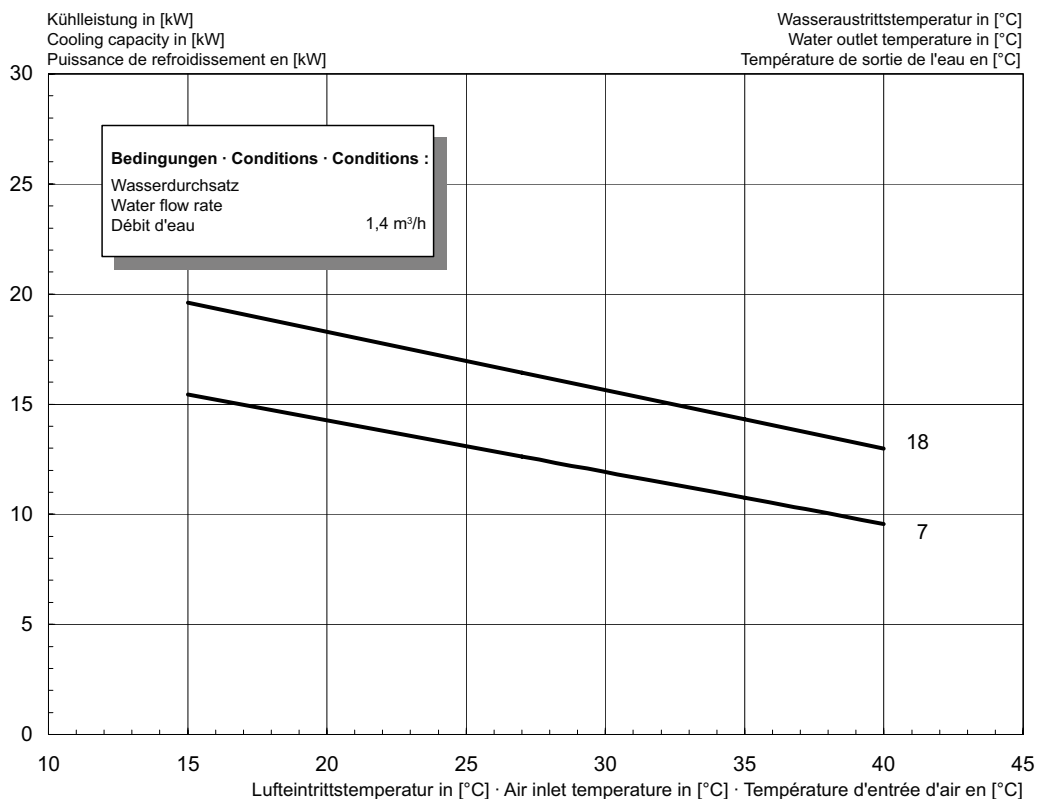


## 2.3 Heizbetrieb / Heating Operation / Mode chauffage LI 16TER+



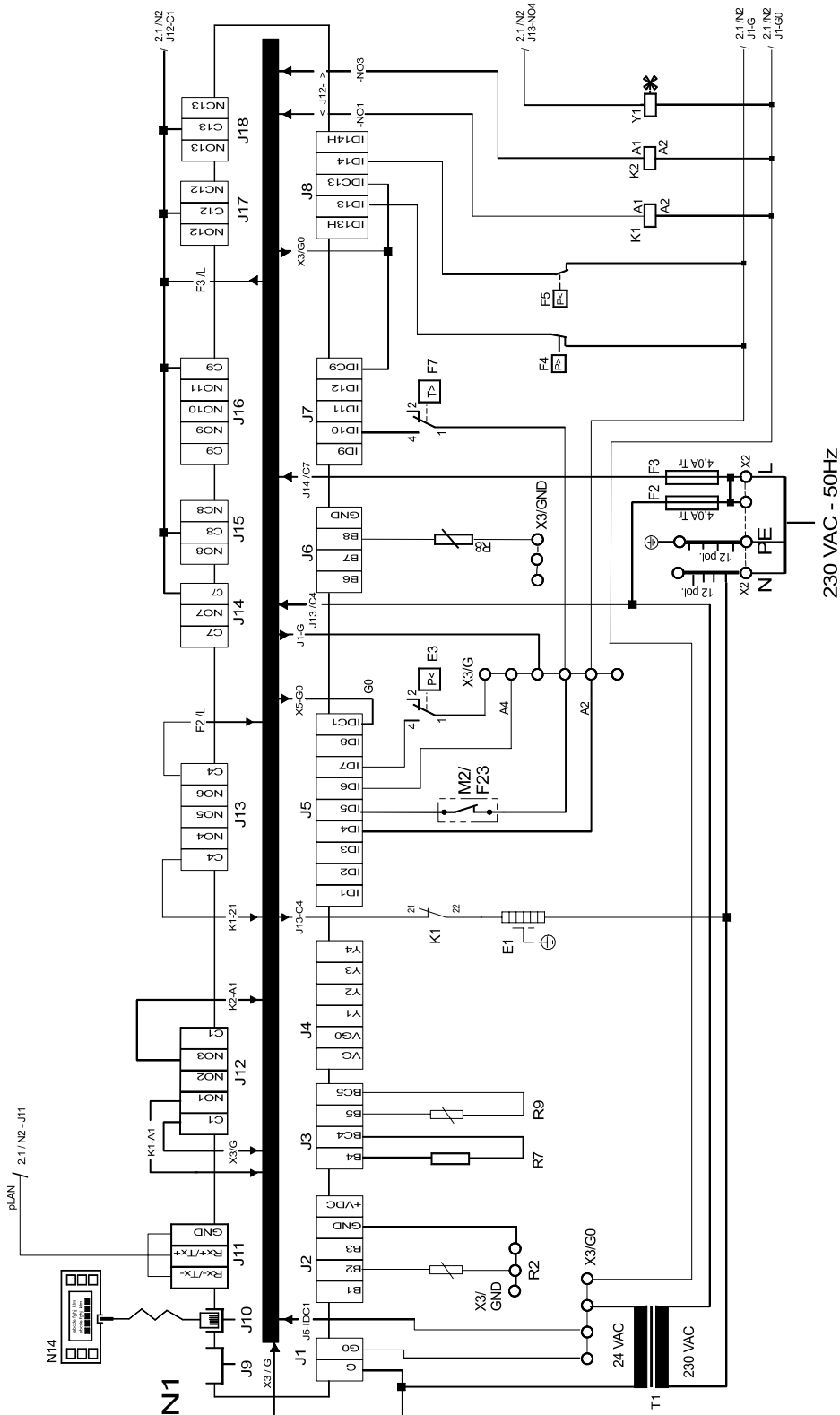


## 2.4 Kühlbetrieb / Cooling Operation / Mode refroidissement LI 16TER+



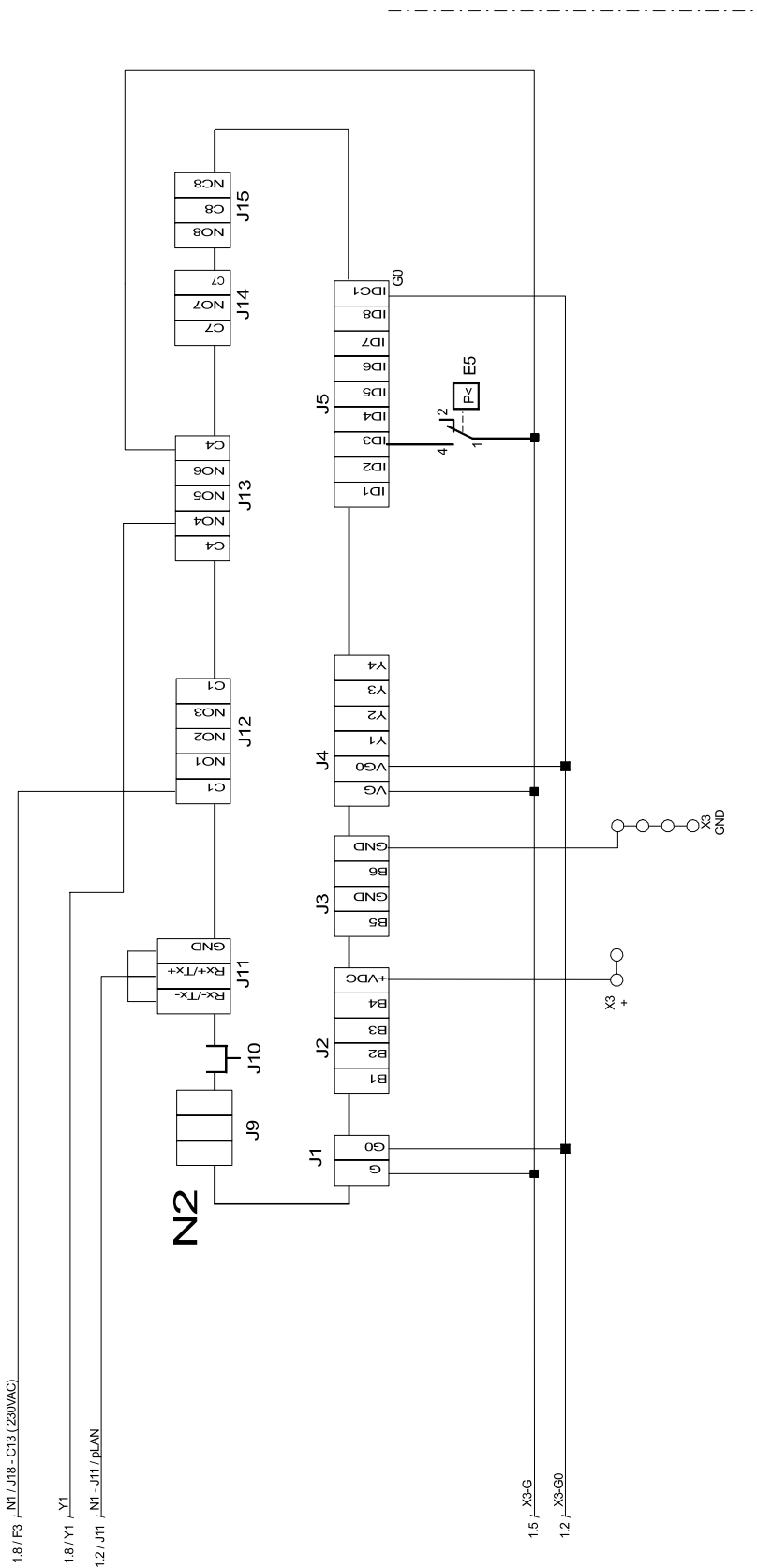
### 3 Stromlaufpläne / Circuit Diagrams / Schémas électriques

#### 3.1 Steuerung Standardregler / Control of the standard controller / Commande régulateur standard

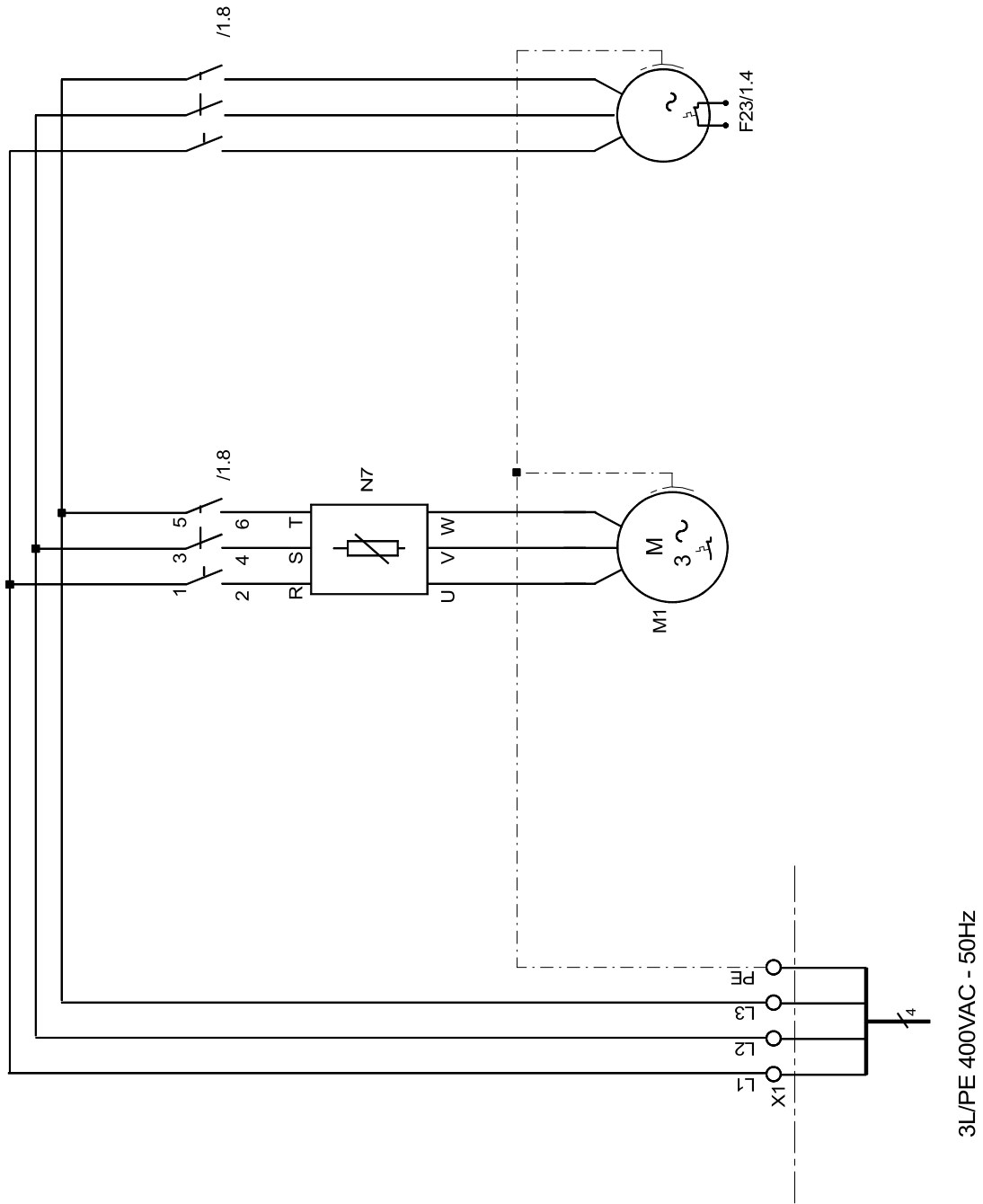


Anhang · Appendix · Annexes

### 3.2 Steuerung Kühlregler / Control of the cooling controller / Commande régulateur standard

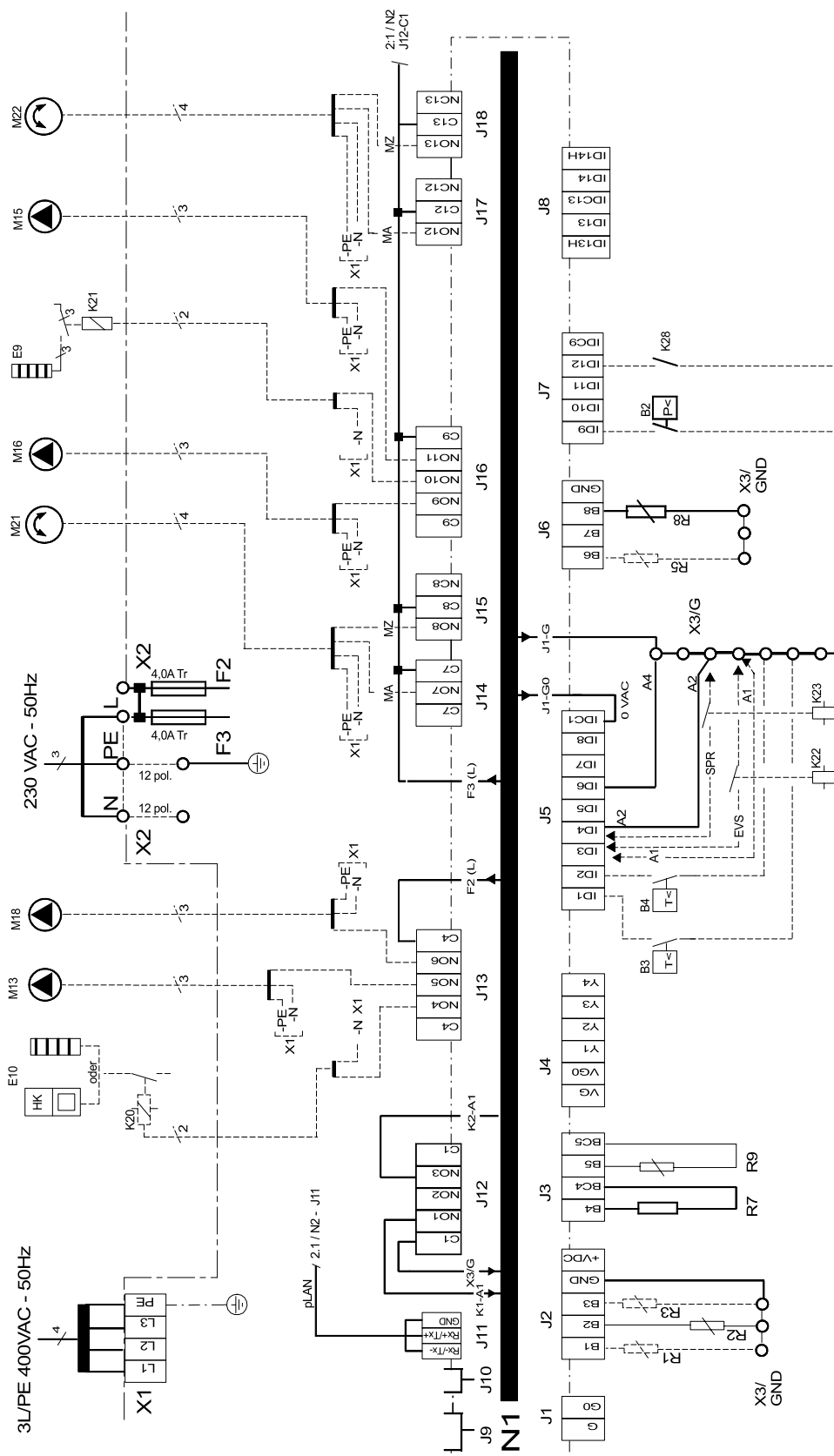


### 3.3 Last / Load / Charge

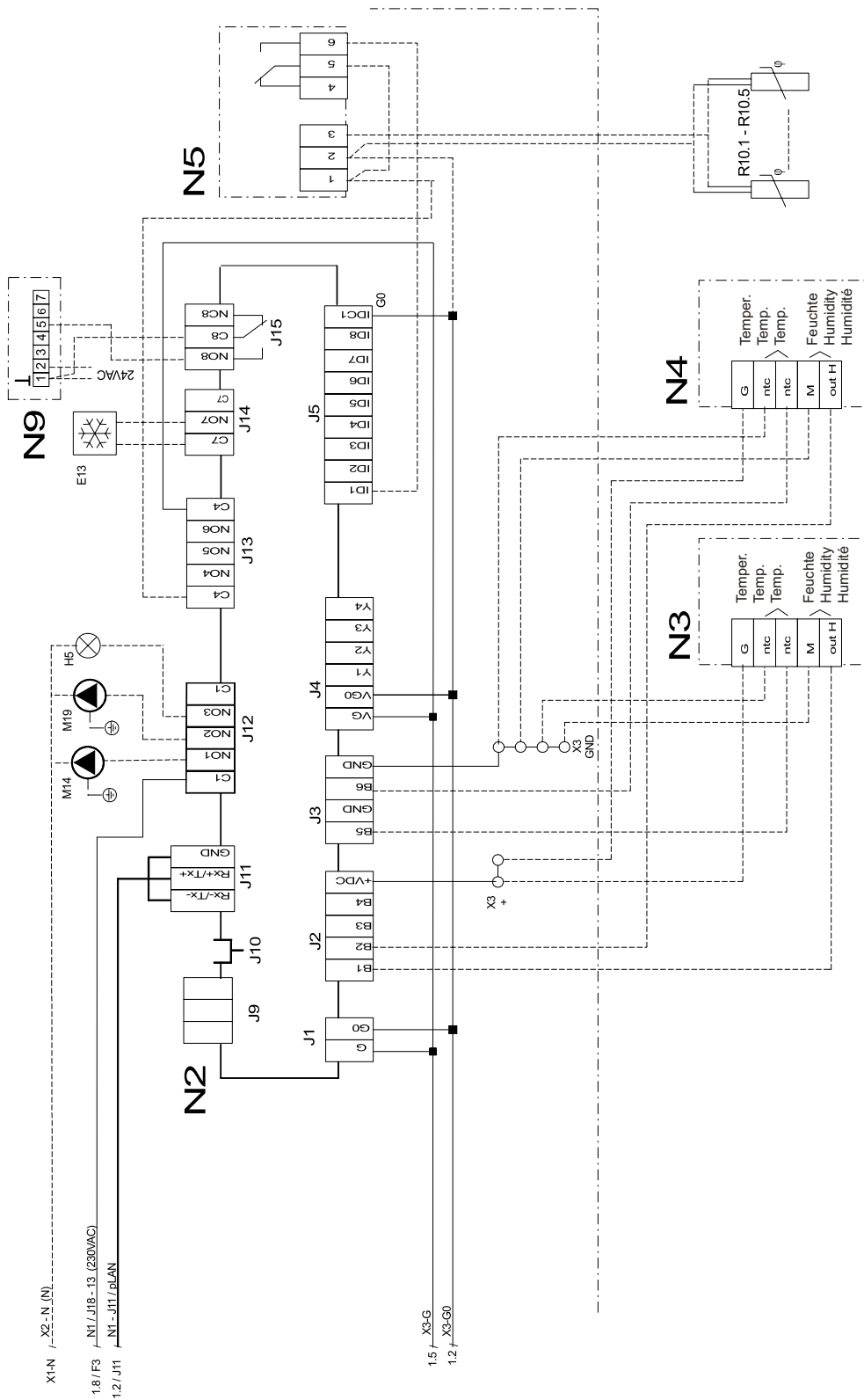


3L/PE 400VAC - 50Hz

### 3.4 Anschlussplan Standardregler / Terminal diagram for the standard controller / Schéma électrique du régulateur standard



### 3.5 Anschlussplan Kühlregler / Terminal diagram for the cooling controller / Schéma électrique du régulateur refroidissement

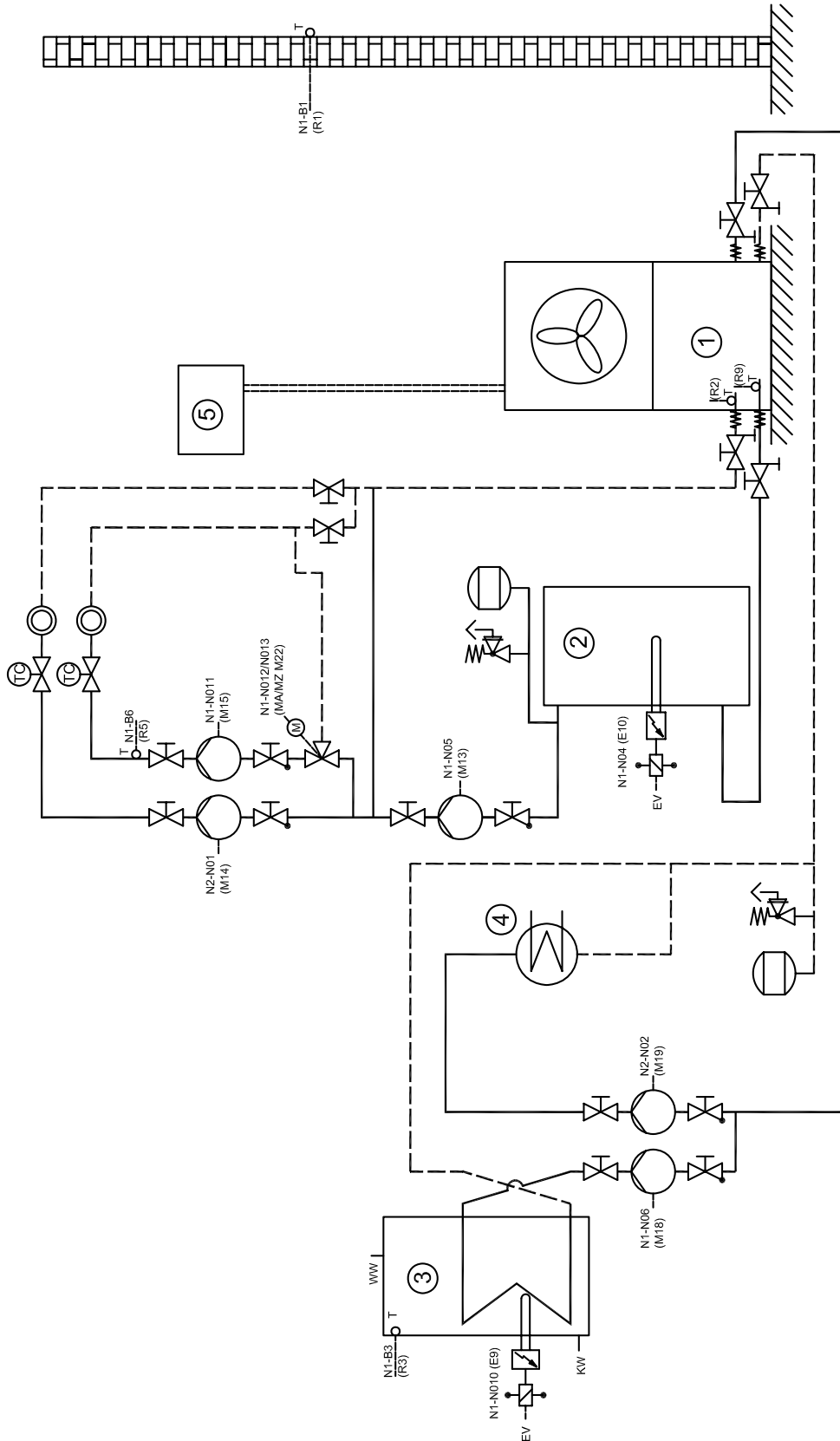


### 3.6 Legende / Legend / Légende

A1	Drahtbrücke, muss eingelegt werden, wenn kein Sperrschütz benötigt wird	Wire jumper, must be inserted if no blocking contactor is required	Le cavalier à fil doit être inséré en absence de disjoncteur de blocage du fournisseur d'énergie
A2	Drahtbrücke, muss bei Verwendung des 2ten Sperreinganges entfernt werden	Wire jumper, must be removed if the 2nd disable contactor is used	Cavalier à fil à retirer si la 2e entrée de coupure est utilisée
A4	Drahtbrücke, muss bei Einsatz eines Motorschutzkontaktes, für den Verdichter, entfernt werden Offene Drahtbrücken oder Kontakte bedeuten Sperre oder Störung	Wire jumper, must be removed if a motor protection contact is used for the compressor Open wire jumpers or contacts mean: block or fault	Retirer le cavalier à fil si utilisation d'un contact de disjoncteur de moteur, pour le compresseur Cavaliers à fil ou contacts ouverts signifient coupure ou panne
B3*	Thermostat Warmwasser	Hot water thermostat	Thermostat eau chaude
B4*	Thermostat Schwimmbadwasser	Swimming pool water thermostat	Thermostat eau de piscine
E1	Ölsumpfheizung	Oil sump heater	Chauffage carter à huile
E3	Abtauendepressostat	Defrost end controller	Pressostat fin de dégivrage
E5	Pressostat Kondensationsdruck	Condensation pressure switch	Pressostat pression condensation
E9*	Elektr. Tauchheizkörper Warmwasser	Electric Immersion heater hot water	Thermoplongeur élect. eau chaude
E10*	2. Wärmegerzeuger (Heizkessel oder elekt. Heizstab)	Heat generator 2 (boiler or electric heating element)	2. générateur de chaleur (chaudière ou cartouche chauffante électrique)
E13*	2. Kälteerzeuger	Chiller 2	2. générateur de froid
F2	Lastsicherung für N1-Relaisausgänge an J13 4,0 ATr	Load fuse for N1 relay outputs at J13 slow-acting 4.0	Coupe-circuit de charge pour sorties de relais en J13 4,0 ATr
F3	Lastsicherung für N1-Relaisausgänge -J15 bis -J18 am N1 und -J12 am N2 4,0 ATr	Load fuse for N1 relay outputs -J15 to -J18 at N1 and -J12 at N2 4.0 slow-acting	Coupe-circuit de charge pour sorties de relais de J15 à J18 pour N1 et en J12 pour N2, 4,0 ATr
F4	Pressostat Hochdruck	High-pressure switch	Pressostat haute pression
F5	Pressostat Niederdruck	Low-pressure switch	Pressostat basse pression
F7	Thermostat Heißgas	Hot gas thermostat	Thermostat gaz de chauffage
F23	Thermokontakt Ventilator	Bimetal contact, fan	Thermocontact ventilateur
H5	Leuchte Störferrnanzeige	Remote fault indicator lamp	Témoin de télé-détection de pannes
J1...J18	Klemmensteckverbinder an N1 (Heizregler)	Terminal connector at N1	Connecteur à bornes sur N1
J1...J15	Klemmensteckverbinder an N2 (Heizregler)	Terminal connector at N2	Connecteur à bornes sur N2
K1	Schütz Verdichter M1	Contactor for compressor M1	Contacteur compresseur M1
K2	Schütz Ventilator M2	Contactor for fan M2	Contacteur Ventilateur M2
K20*	Schütz für E10	Contactor for E10	Contacteur E10
K21*	Schütz für E9	Contactor for E9	Contacteur E9
K22*	EVU-Sperrschütz	Utility blocking contactor	Contacteur de coupure du fournisseur d'énergie
K23*	SPR Hilfsrelais	SPR auxiliary relay	Relais auxiliaire « SPR »
K28*	Anforderung Kühlbetrieb	Cooling operation request	Demande mode rafraîchissement
M1	Verdichter	Compressor	Compresseur
M2	Ventilator	Fan	Ventilateur
M13*	Heizungsumwälzpumpe Hauptkreis	Heat circulating pump for main circuit	Circulateur de chauffage circuit principal
M14*	Heizungsumwälzpumpe - 1. Heizkreis	Heat circulating pump of heating circuit 1	Circulateur de chauffage - 1e circuit de chauffage
M15*	Heizungsumwälzpumpe - 2. Heizkreis	Heat circulating pump of heating circuit 2	Circulateur de chauffage - 2e circuit de chauffage
M16*	Zusatzumwälzpumpe	Auxiliary circulating pump	Circulateur supplémentaire
M18*	Warmwasserumwälzpumpe	Hot water circulating pump	Circulateur d'eau chaude
M19*	Schwimmbadwasserumwälzpumpe	Swimming pool water circulating pump	Circulateur d'eau de piscine
M21*	Mischer Hauptkreis	Mixer for main circuit	Mélangeur circuit principal
M22*	Mischer - 2. Heizkreis	Mixer for heating circuit 2	Mélangeur - 2ème circuit de chauffage
N1	Heizregler	Heating controller	Régulateur de chauffage
N2	Kühlregler	Cooling controller	Régulateur de refroidissement
N3/N4*	Raumstationen für die Taupunktregelung	Room stations for dew point regulation	Stations dans pièce pour régulation du point de condensation
N5*	Taupunktwärter	Dew point monitor	Détecteur de point de rosée
N7	Sanftanlaufsteuerung	Soft start control	Commande de démarrage progressif
N9*	Raumthermostat	Room thermostat	Thermostat d'ambiance
N14*	Bedienteil	Operating element	Commande
R1*	Außenfühler	External sensor	Sonde extérieure
R2	Rücklauffühler	Return flow sensor	Sonde de retour
R3*	Warmwasserfühler (alternativ zum Warmwasserthermostat)	Hot water sensor (as an alternative to the hot water thermostat)	Sonde d'eau chaude (alternative au thermostat eau chaude)
R5*	Fühler für 2ten Heizkreis	Sensor for heating circuit 2	Sonde pour 2e circuit de chauffage
R6	Eingefrierschutzfühler	Flow temperature limit sensor	Sonde antigel
R7	Kodierwiderstand 28k7	Coding resistor 28k7	Résistance avec code des couleurs 28k7
R8	Frostschutzfühler Kühlen	Flow sensor, cold	Sonde antigel froid
R9	Frostschutzfühler Heizen	Flow sensor, heating water	Sonde antigel eau de chauffage
R10.1*-R10.5*	Feuchtesensoren für N5 (maximal 5 Fühler)	Humidity sensors for N5 (max. of 5 sensors)	Capteurs d'humidité pour N5 (5 capteurs au maximum)
T1	Sicherheitstrenntransformator 230/24V AC-50VA	Safety isolating transformer 230/24 V AC-50 VA	Transformateur sectionneur de sécurité 230/24 V AC-50 V A
Y1	Vier-Wege-Umschaltventil	Four-way valve	Vanne d'inversion 4 voies
X1	Klemmenleiste Leistungseinspeisung 3L/N/PE - 400VAC ~50Hz	Terminal strip: power supply 3L/N/PE - 400VAC ~50Hz	Bornier distributeur : alimentation puissance 3L/N/PE - 400VAC ~50Hz
X2	Klemmenleiste Steuerspannung L/N/PE - 230V ~50Hz	Terminal strip for control voltage L/N/PE - 230 V ~50 Hz	Bornier tension de commande L/N/PE - 230 V ~50 Hz
X3	Klemmenleiste Niederspannung	Terminal strip: Low-voltage	Bornier distributeur : basse tension
	<b>Abkürzungen:</b>	<b>Abbreviations:</b>	<b>Abbréviation :</b>
EVS	EVU-Sperreingang	Utility disable contactor	Entrée de coupure fournisseur d'énergie
SPR	Zusätzlicher Sperreingang	Supplementary disable contactor	Entrée de « coupure courant » complémentaire
MA*	Mischer AUF	Mixer OPEN	Mélangeur OUVERT
MZ	Mischer ZU	Mixer CLOSED	Mélangeur FERMÉ
*	Bauteile sind extern beizustellen	Components to be supplied from external sources	Pièces à fournir par le client
-----	bauseits bei Bedarf anzuschließen	To be connected by the customer as required	à raccorder par le client au besoin
-----	werksseitig verdrahtet	Wired ready for use	câblé départ usine










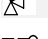
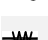
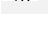
# 4 Hydraulisches Prinzipschema / Hydraulic Plumbing Diagram / Schéma hydraulique

## 4.1 Darstellung / Schematic View / Représentation





## 4.2 Legende / Legend / Légende

	Absperrventil	Shutoff valve	Robinet d'arrêt
	Überstromventil	Overflow valve	Vanne de trop-plein
	Sicherheitsventilkombination	Safety valve combination	Groupe de valves de sécurité
	Umwälzpumpe	Circulating pump	Circulateur
	Ausdehnungsgefäß	Expansion vessel	Vase d'expansion
	Raumtemperaturgesteuertes Ventil	Room temperature-controlled valve	Vanne commandée par température
	Absperrventil mit Rückschlagventil	Shutoff valve with check valve	Robinet d'arrêt avec clapet anti-retour
	Absperrventil mit Entwässerung	Shutoff valve with drainage	Robinet d'arrêt avec écoulement
	Wärmeverbraucher	Heat consumer	Consommateur de chaleur
	Dreiwegemischer	Three-way mixer	Mélangeur 3 voies
	Temperaturfühler	Temperature sensor	Sonde de température
	Flexibler Anschlusschlauch	Flexible connection hose	Tuyau de raccord flexible
①	Wärmepumpe	Heat pump	pompe à chaleur
②	Pufferspeicher	Buffer tank	Réservoir tampon
③	Warmwasserspeicher	Hot water cylinder	Ballon d'eau chaude
④	Schwimmbadwärmetauscher	Swimming pool heat exchanger	Echangeur thermique de piscine
⑤	Elektroverteilung	Electrical distribution system	Distributeur courant électrique
E9	Tauchheizkörper Warmwasser	Immersion heater hot water	Thermoplongeur eau chaude
E10	2ter Wärmeerzeuger	2nd heat generator	2e générateur de chaleur
M13	Heizungsumwälzpumpe	Heat circulating pump	Circulateur de chauffage
M14	Umwälzpumpe für Heiz- und Kühlbetrieb (elektronisch geregelt)	Circulating pump for heating and cooling operation (electronically regulated)	Circulateur pour mode chauffage et refroidissem.(à régulation électronique)
M15	Heizungspumpe 2ter Heizkreis (elektronisch geregelt)	Heating pump for heating circuit 2 (electronically regulated)	Pompe chauffage circuit chauffage 2 (à régulation électronique)
M18	Warmwasserumwälzpumpe	Hot water circulating pump	Circulateur d'eau chaude
M19	Schwimmbadpumpe	Swimming pool pump	Pompe piscine
N1	Standardregler (mit Display)	Standard controller (with display)	Régulateur standard (avec cadran)
N2	Kühlregler (ohne Display)	Cooling controller (without display)	Régulateur de refroidissement (sans cadran)
R1	Außenwandfühler	External wall sensor	Sonde de paroi extérieure
R2	Rücklauffühler (integriert)	Return flow sensor (integral)	Sonde de retour (intégrée)
R3	Warmwasserfühler	Hot water sensor	Sonde d'eau chaude
R5	Rücklauffühler 2ter Heizkreis	Return flow sensor for heating circuit 2	Sonde de retour 2e circuit de chauffage
R9	Vorlauffühler	Flow sensor	Sonde aller
EV	Elektroverteilung	Electrical distribution system	Distributeur courant électrique
KW	Kaltwasser	Cold water	eau froide
MA	Mischer AUF	Mixer OPEN	Mélangeur OUVERT
MZ	Mischer ZU	Mixer CLOSED	Mélangeur FERME
WW	Warmwasser	Domestic hot water	Eau chaude

# 5 Konformitätserklärung / Declaration of Conformity / Déclaration de conformité

## EG - Konformitätserklärung EC Declaration of Conformity Déclaration de conformité CE ©

Der Unterzeichneter  
The undersigned  
La société soussignée,

**Glen Dimplex Deutschland GmbH**  
**Geschäftsbereich Dimplex**  
**Am Goldenen Feld 18**  
**D - 95326 Kulmbach**

bestätigt, dass das (die) nachfolgend be-  
zeichnete(n) Gerät(e) aufgrund seiner (ihrer)  
Konzipierung und Bauart sowie in der von  
uns in Verkehr gebrachten Ausführung den  
einschlägigen grundlegenden Anforderungen  
der EG-Richtlinien entspricht (entsprechen).

hereby confirm that the design and con-  
struction of the product(s) listed below,  
in the version(s) placed on the market by  
us, conform to the relevant requirements  
of the applicable EC directives.

certifie que l'appareil / les appareils ci-  
après, par leur conception et leur mode de  
construction ainsi que par la définition  
technique avec laquelle il(s) sont mis en  
circulation par notre société, est / sont  
conforme(s) aux directives fondamentales  
CEE afférentes.

Bei einer nicht mit uns abgestimmten  
Änderung des (der) Gerät(e)s verliert  
diese Erklärung ihre Gültigkeit.

This declaration becomes invalidated  
if any modifications are made to  
the product(s) without our prior  
authorisation.

Ce certificat perd sa validité pour tout  
appareil modifié sans notre consentement.

### Bezeichnung / Designation / Désignation

**Luft/Wasser-Wärmepumpen**  
für Innenaufstellung mit R404A

**Air-to-water heat pumps**  
for indoor installation, containing R404A

**Pompes à chaleur air/eau**  
pour installation intérieure avec R404A

### EG - Richtlinien / EC Directives / Directives CEE

EG- Niederspannungsrichtlinie / EC Low Voltage Directive /  
Directive CEE relative à la basse tension (2006/95/EG)

EG-EMV-Richtlinie / EC EMC Directive / Directive CEE  
relative à la compatibilité électromagnétique (89/336/EWG)

Druckgeräterichtlinie / Pressure Equipment Directive /  
Directive CEE relative aux appareils sous pression (97/23/EG)

### Typ(e):


### Harmonisierte EN / Harmonized EB Standards / Normes EN harmonisées:

<b>LI 11TER+</b>	EN 255:1997	
<b>LI 16TER+</b>	EN 378:2000	
	DIN 8901	
	DIN EN 60335-1 (VDE 0700 T1):2006	EN 60335-1:2002+A11+A1+A12+ Corr.+A2:2006
	DIN EN 60335-2-40 (VDE 0700 T40):2006-11	EN 60335-2-40:2003+A11+A12+A1+Corr.:2006
	DIN EN 55014-1 (VDE 0875 T14-1):2003-09	EN 55014-1:2000+A1:2001+A2:2002
	DIN EN 55014-2 (VDE 0875 T14-2):2002-08	EN 55014-2:1997+A1:2001
	DIN EN 61000-3-2 (VDE 0838 T2):2005-09	EN 61000-3-2:2000+A2:2005
	DIN EN 61000-3-3 (VDE 0838 T3):2002-05	EN 61000-3-3:1995+Corr.:1997+A1:2001

### Nationale Richtlinien / National Directives / Directives nationales

<u>D</u>	<u>A</u>	<u>CH</u>
BGR 500		SVTI

Kulmbach, 30.01.2007  
CE01W01C.doc

  
Wolfgang Weinhold  
Geschäftsführer / Managing Director

  
Andreas Tilch  
Spartenleiter / Head of business unit

---

Glen Dimplex Deutschland GmbH  
Geschäftsbereich Dimplex  
Am Goldenen Feld 18  
D-95326 Kulmbach

Irrtümer und Änderungen vorbehalten.  
Subject to alterations and errors.  
Sous réserve d'erreurs et modifications.  
 +49 (0) 9221 709 565  
[www.dimplex.de](http://www.dimplex.de)

## Free Manuals Download Website

<http://myh66.com>

<http://usermanuals.us>

<http://www.somanuals.com>

<http://www.4manuals.cc>

<http://www.manual-lib.com>

<http://www.404manual.com>

<http://www.luxmanual.com>

<http://aubethermostatmanual.com>

Golf course search by state

<http://golfingnear.com>

Email search by domain

<http://emailbydomain.com>

Auto manuals search

<http://auto.somanuals.com>

TV manuals search

<http://tv.somanuals.com>