

FCC Information

This device complies with Part 15 of the FCC rules. Operation is subject to the following two conditions: (1) this device may not cause harmful interference, and (2) this device must accept any interference received, including interference that may cause undesired operation.

NOTE: This equipment has been tested and found to comply with the limits for a Class B digital device, pursuant to Part 15 of the FCC rules. These limits are designed to provide reasonable protection against harmful interference in a residential installation. This equipment generates, uses, and can radiate radio frequency energy and, if not installed and used in accordance with the instructions, may cause harmful interference to radio communications. However, there is no guarantee that interference will not occur in a particular installation. If this equipment does cause harmful interference to radio or television reception, which can be determined by turning the equipment off and on, the user is encouraged to try to correct the interference by one or more of the following measures:

- Reorient or relocate the receiving antenna.
- Increase the separation between the equipment and receiver.
- Connect the equipment into an outlet on a circuit different from that to which the receiver is connected.
- Consult the dealer or an experienced radio/TV technician for help.

WARNING: Changes or modifications to this unit not expressly approved by the party responsible for compliance could void the user's authority to operate the equipment.

This Class B digital apparatus complies with Canadian ICES-003.

Cet appareil numérique de la classe B est conforme à la norme NMB-003 du Canada.

Questions or Comments

For questions or comments regarding this or other KIDdesigns products, please call our toll-free number:

1-888-TOP-TOYS

Also visit our website: www.kiddesigns.com

If problems persist, please do not attempt to repair unit; see warranty for factory service.

Maintenance

It is important to keep the unit as dry and clean as possible. You may clean the cabinet with a cloth or sponge moistened with mild soap and water. Do not attempt to use strong cleansers or solvents, as they may cause damage.

Troubleshooting

- If you experience improper operation, try inserting a paper clip or similar into the Reset port located on the bottom of the unit.
- If the unit does not work at all, check the batteries. They are most likely weak and need to be replaced with 3 brand new "AA" batteries. If the unit still does not work after changing the batteries, then take them out and make sure you have installed them properly.
- If there is a distorted or fuzzy sound the batteries are weak. Once again, replace them with new alkaline batteries.
- If improper operation continues, momentarily remove then install batteries, while making sure that you have installed them correctly.
- If the trouble persists, **DO NOT ATTEMPT TO REPAIR THE UNIT.** See warranty for factory services.

Limited One-Year Warranty

KIDdesigns warrants this product to be free from defects in workmanship and materials, under normal use and conditions, for a period of one year from the date of original purchase. Should service be required by reason of any defect or malfunction, it is best to first return this product and all parts thereof to the store where it was originally purchased. If you need to send the product for service during the warranty period, KIDdesigns will repair or, at its discretion, replace this product without charge (except for a \$6.00 charge for handling, packing, return UPS/postage and insurance). This decision is subject to verification of the defect or malfunction upon delivery of this product to the Factory Service Center listed below. The product must include proof of purchase, including date of purchase.

Before returning this product for service, please first replace the batteries (if applicable) with fresh ones, as exhausted or defective batteries are the most common cause of problems encountered.

If service is still required:

1. Remove batteries (if applicable) and pack unit in a well-padded, heavy corrugated box.
2. Enclose a photocopy of your sales receipt, credit card statement, or other proof of the date of purchase.
3. Enclose a check or money order payable to the order of KIDdesigns, for the sum of \$6.00.
4. Send the unit prepaid to the Factory Service Center listed below.

NOTE: This warranty is valid only if the product is used for the purpose for which it was designed. It does not cover (i) products which have been damaged by negligence, misuse or accident, or which have been modified or repaired by unauthorized persons; (ii) cracked or broken cabinets, or units damaged by excessive heat; (iii) damage to tape cassettes (if applicable); (iv) the cost of shipping this product to the Factory Service Center and its return to the owner.

This warranty is valid only in the United States of America and does not extend to owners of the product subsequent to the original purchaser. Any applicable implied warranties are also limited to one year, and KIDdesigns will not be liable for consequential damages. (Some states do not allow limitations on implied warranties or exclusion of consequential damages, so these restrictions may not apply to you.) This warranty gives you specific legal rights, and you may also have other rights which vary from state to state.

Send unit to:

Consumer Repair Department
KIDdesigns, Inc.
1330 Goodyear Dr.
El Paso, TX 79936-6420

© Disney

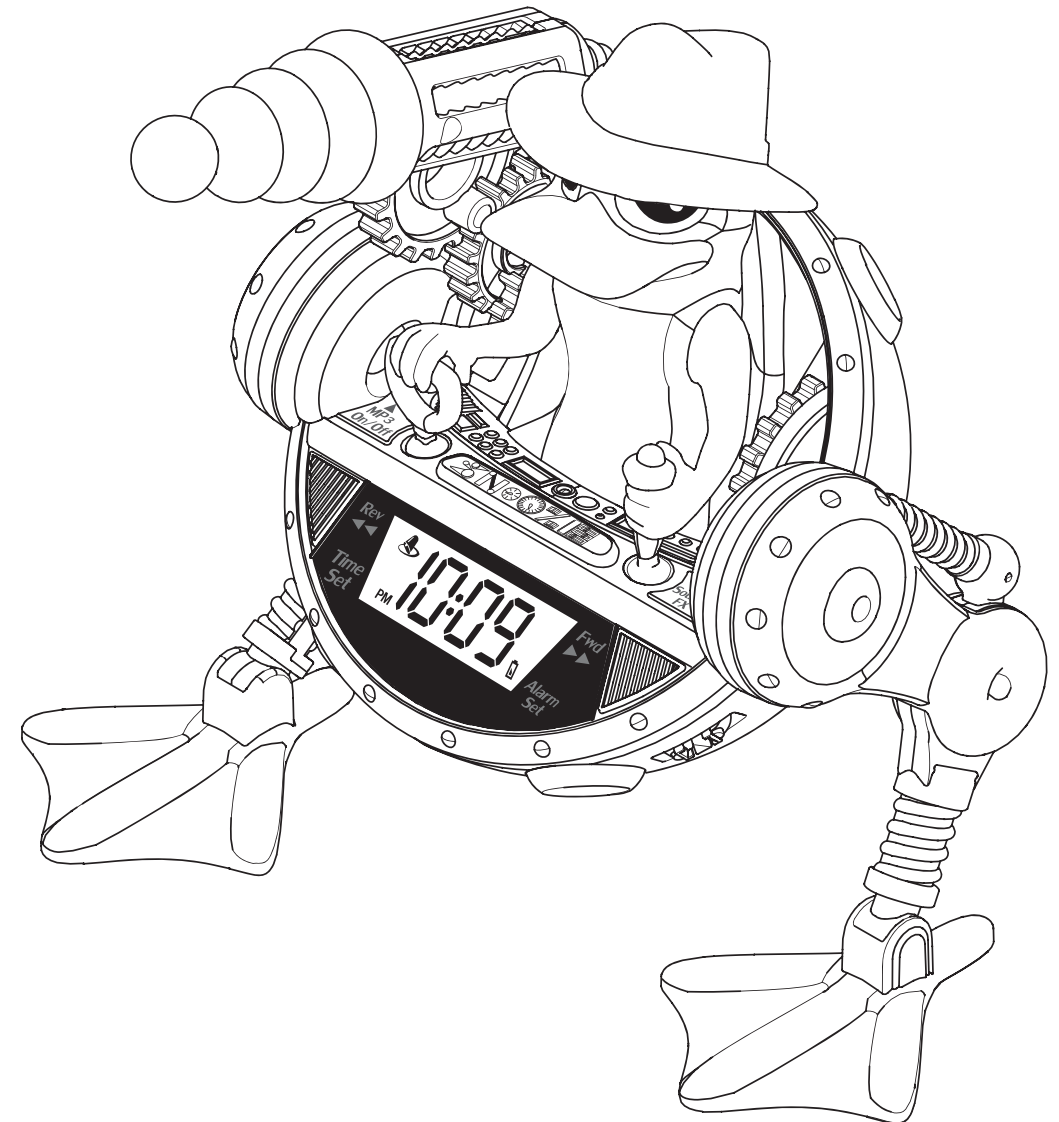
Visit the Disney website at DisneyXD.com

Distributed by KIDdesigns, Inc. Rahway, NJ 07065-5024
eKids is a wholly owned subsidiary of KidDesigns, Inc.,
1299 Main Street Rahway NJ 07065

Phineas and FERB

Model: PF-315

Agent-P Snooze-inator Alarm Clock



Important Message to Customers

Thank you for purchasing one of Disney's many top-quality electronic products. We would appreciate it if you take a few moments to read through these instructions. This will help you explain to the child the safe and proper way to use this toy, and to help give it the long-lasting life that Disney products are designed for.

Getting Started

Installing the Batteries

This unit operates on 3 AA batteries. If the sound becomes weak or distorted or the Low Battery icon appears on the display, it's time to replace the batteries.

ATTENTION: Batteries should only be installed by an adult.

- 1 Use a Phillips screwdriver to open the battery compartment door located on the back of the unit.
- 2 Install 3 AA size batteries, making sure that the + and - polarities match the diagram printed inside the battery compartment.
- 3 Close the battery compartment door and tighten the battery door screw. Do not over-tighten.

For the Best Possible Performance

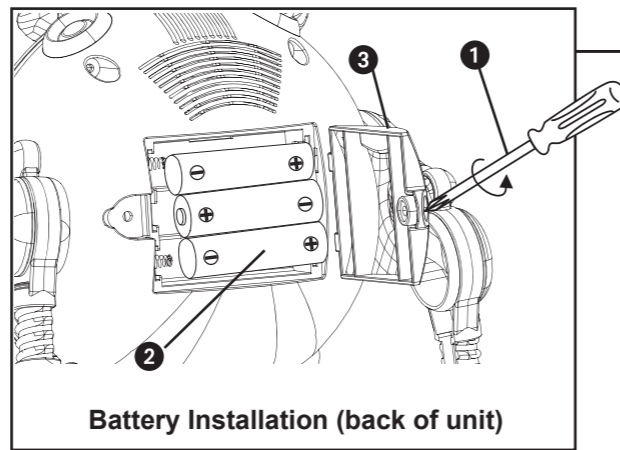
- We recommend the use of alkaline batteries for longer life.
- Do not mix old and new batteries.
- Do not mix alkaline, standard (carbon-zinc) or rechargeable (nickel-cadmium) batteries.
- Batteries are to be inserted with correct polarity.
- Remove exhausted batteries from the unit.
- Do not attempt to recharge non-rechargeable batteries.
- Remove the rechargeable batteries from the unit before charging.
- The supply terminals are not to be short-circuited.
- Batteries should be removed if the item will not be used for an extended period of time, such as a month or longer, to prevent battery leakage or damage.
- Rechargeable batteries should only be charged under adult supervision.
- Only batteries of the same or equivalent type as recommended are to be used.

Unpacking and Setup

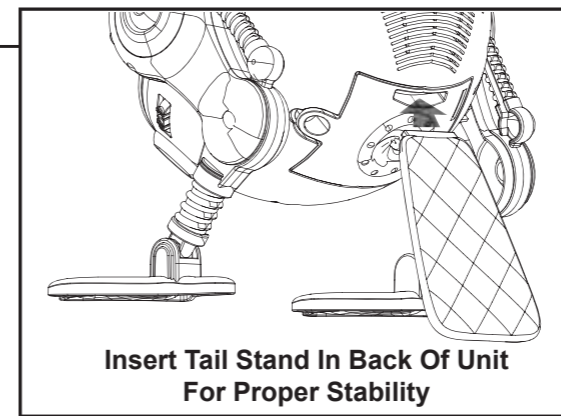
1. Remove the product and all packing materials from the carton.
2. It is a good idea to save the packing materials in case the unit needs to be returned for service. If you do dispose of the packing materials, please do so properly.
3. Remove the demo tab from the battery compartment on the back of the unit and the clear protective film from the clock display.
4. Insert the tail stand in the back of the unit for proper stability.
5. The unit should be placed on a level surface, away from direct sunlight, and away from the sources of excess dust, dirt, heat, water, moisture, vibration, and strong magnetic fields.
6. Protect your furniture when placing the unit on natural wood or wood with a lacquered or coated finish. A cloth or other protective material should be placed between the unit and the furniture.

Resetting the Unit

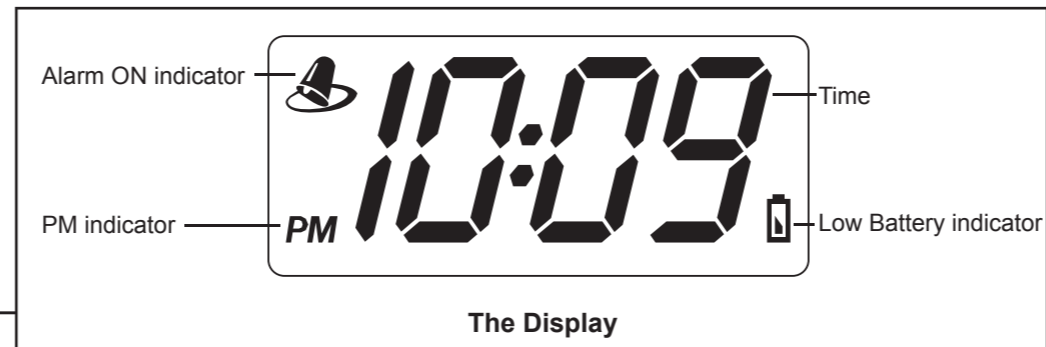
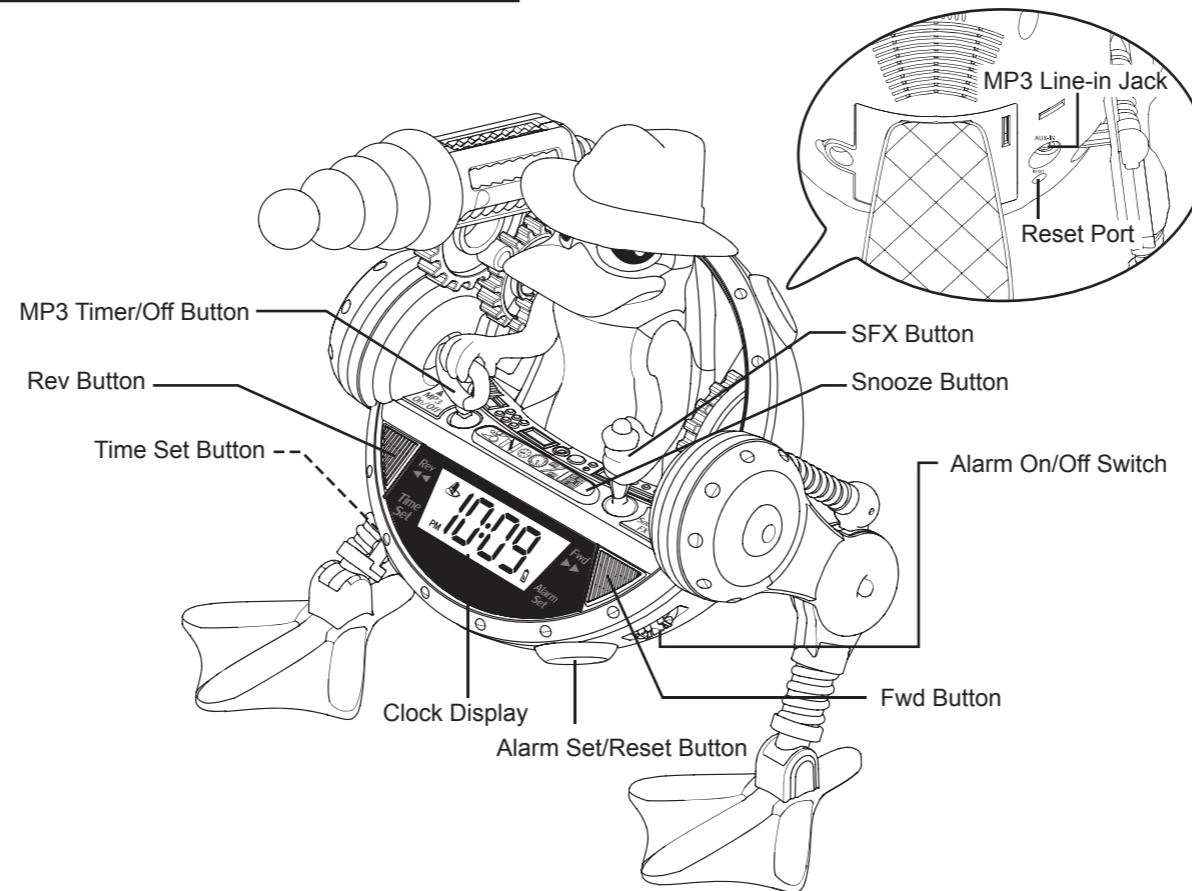
If the unit becomes locked up or frozen, insert a paper clip or similar into the Reset Port on the back of the unit and press in. Doing so will reset the music chip.



Battery Installation (back of unit)



Insert Tail Stand In Back Of Unit For Proper Stability



The Display

Setting the Time

1. Press and hold the **Time Set Button** until the display flashes.
2. Press the **FWD** or **REV Button** to adjust the clock to the current time (hold for rapid adjustment). Remember to set the correct AM or PM time. A PM indicator appears at the bottom left of the display; there is no AM indicator.
3. Press the **Time Set Button** (or no button within 10 seconds) to confirm time and exit time setting mode.

Setting and Using the Alarm

The alarm on this unit features sound effects, flashing lights and speech. It has a gradual alarm which starts off quiet and gets louder.

To view the current set alarm time, press the **Alarm Set/Reset Button**. You can toggle the alarm ON or OFF by sliding the **Alarm On/Off Switch**. An alarm icon will appear in the upper left of the display, indicating the alarm is armed.

1. Press and hold the **Alarm Set/Reset Button** until the display flashes.
2. Press the **FWD** or **REV Button** to adjust the clock to the desired alarm time (hold for rapid adjustment). Remember to set the correct AM or PM alarm time. A PM indicator appears in the display; there is no AM indicator.
3. Press the **Alarm Set/Reset Button** (or no button within 10 seconds) to confirm alarm setting time and exit alarm setting mode.
4. When the alarm is sounding, press the **Alarm Set/Reset Button** to stop the alarm sounding and reset it to come on the next day at the same time.
5. Press the **Snooze Button** to temporarily silence the alarm for about 9 minutes. After this, the alarm will sound again. You can press the Snooze Button several times during the duration of the alarm (about an hour).

Using the MP3 Line-in

1. Connect one end of a standard 3.5mm stereo audio cable (not included) to the headphone or line-out jack of your audio device and plug the other end into the MP3 Line-in Jack on the back of the unit.
2. Press the **MP3 Timer Button** (press down on Perry's right hand) as needed to cycle through the MP3 Timer Settings: 60, 45, 30, 15 minutes or OFF.
3. Turn on your audio device and put it in PLAY mode. Adjust the volume on the audio device as needed. The unit will play the audio from your audio device for the preset time, then turn off. To turn off the unit before the set time, press the **MP3 Timer Button** until OFF appears. Remember to turn off your audio device, too!

Using the Sound Effects

1. Press the **SFX Button** (press down on Perry's left hand) to cycle through the various sound effects, speech and cool lighting effects.

Free Manuals Download Website

<http://myh66.com>

<http://usermanuals.us>

<http://www.somanuals.com>

<http://www.4manuals.cc>

<http://www.manual-lib.com>

<http://www.404manual.com>

<http://www.luxmanual.com>

<http://aubethermostatmanual.com>

Golf course search by state

<http://golfingnear.com>

Email search by domain

<http://emailbydomain.com>

Auto manuals search

<http://auto.somanuals.com>

TV manuals search

<http://tv.somanuals.com>