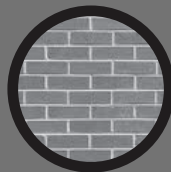
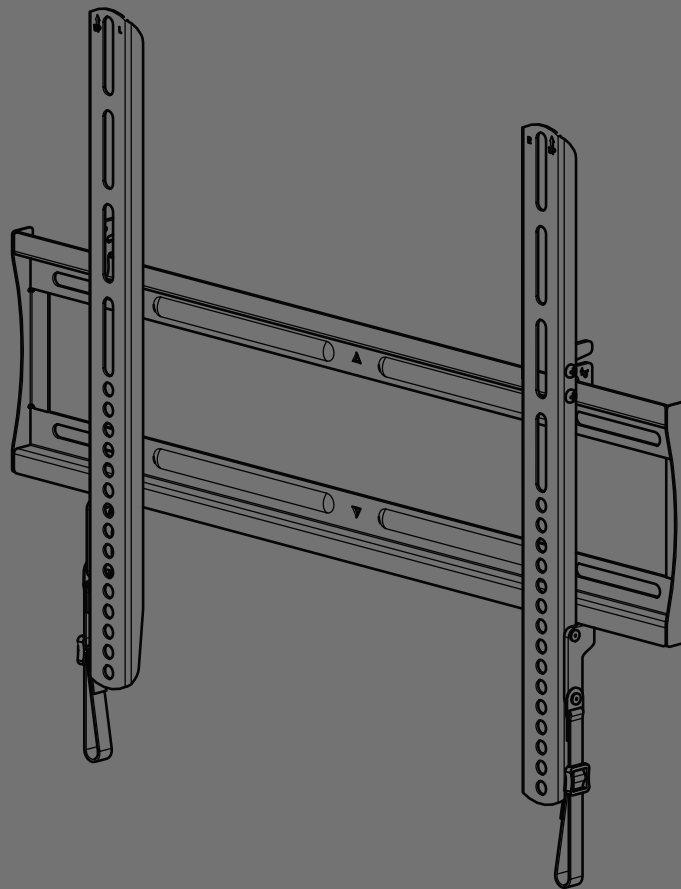


ASSEMBLY INSTRUCTIONS

DX-DRTVL103

Large Low Profile Wall Mount with Optional -5° Tilt



For wood-stud, concrete-wall, or
concrete-block installation

Safety information and specifications.....	2
TVs the wall mount fits	3
Tools needed	3
Parts	4
Hardware.....	5
Assembly instructions.....	6

Safety information and specifications



IMPORTANT SAFETY INSTRUCTIONS - SAVE THESE INSTRUCTIONS

CAUTION: Do not use this product for any purpose not explicitly specified by Dynex. Improper installation may cause property damage or personal injury. If you do not understand these directions, or have

doubts about the safety of the installation, contact Customer Service or call a qualified contractor. Dynex is not responsible for damage or injury caused by incorrect installation or use.

The weight of your TV must not exceed 70 lbs. (31.7 kg). The wall must be capable of supporting five times the weight of the TV and wall mount combined.

This product contains small items that could be a choking hazard if swallowed. Keep these items away from young children!

This product is not designed for use in metal stud walls.

Model #: DX-DRTVL103

Distributed by Best Buy Purchasing, LLC

Manufacturer: Milestone/Secura

Maximum weight: 70 lbs. (31.7 kg)

Screen size: 26" to 52" diagonal

Overall dimensions (W x H): 21.77" x 16.54" (553 x 420 mm)

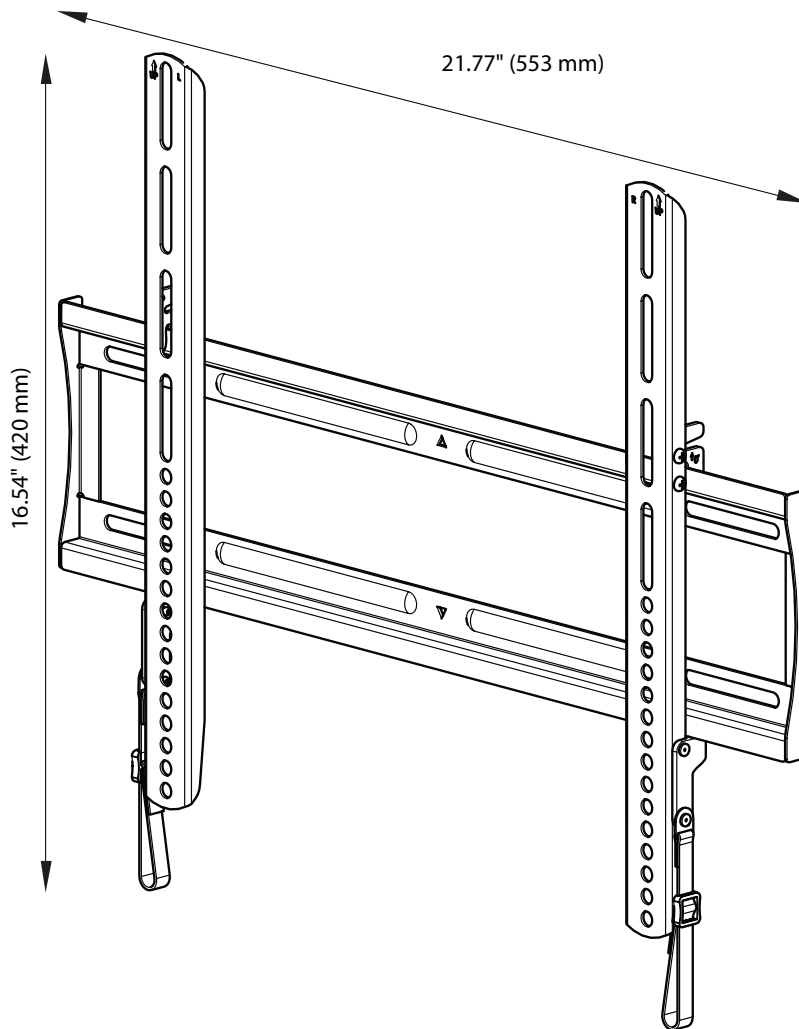
Wall-mount weight: 5 lb (2.26 kg)

We're here for you

www.dynexproducts.com

For customer service, call:

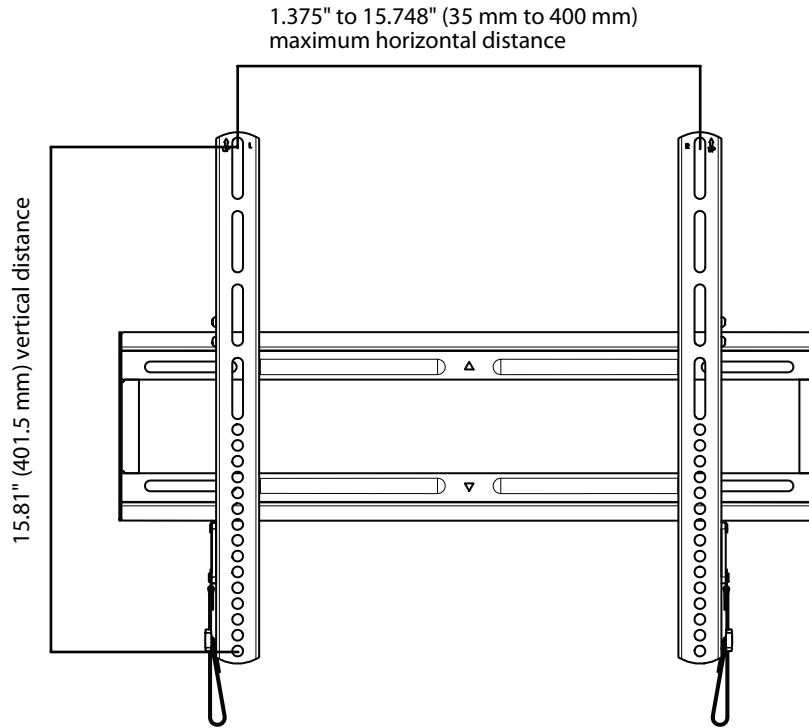
800-305-2204 (U.S./Canada markets)



Need help? Call 800-305-2204

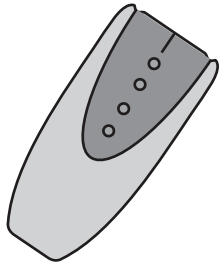
TVs the wall mount fits

The wall mount fits TVs with M4, M5, M6, or M8 screw holes that are the following distances apart:



Tools needed

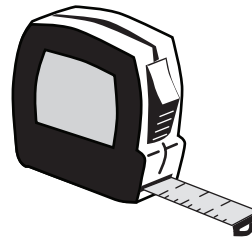
You will need the following tools to assemble your new wall mount:



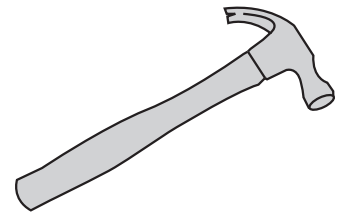
Edge-to-edge stud finder



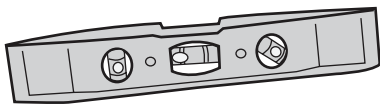
Pencil



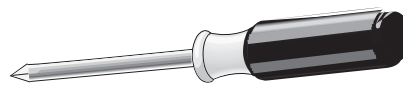
Tape measure



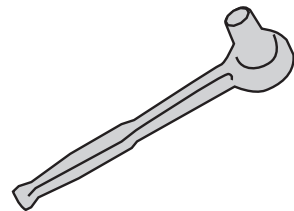
Hammer



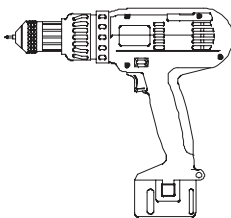
Level



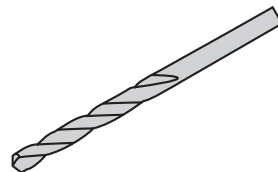
Phillips screwdriver



Socket wrench with 1/2" (13 mm) socket or adjustable wrench

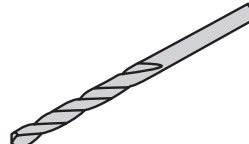


Drill



7/32" (5.5 mm) wood drill bit for wood stud wall

OR



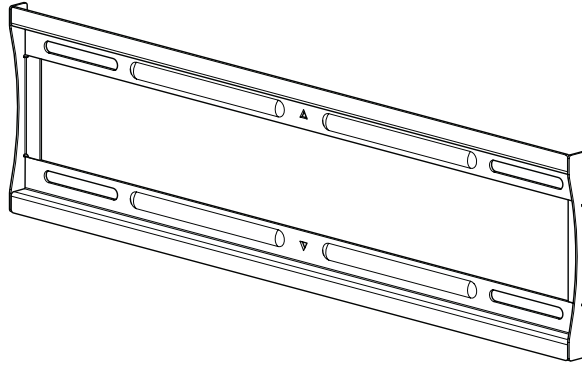
3/8" (10 mm) masonry drill bit for concrete wall

Need help? Call 800-305-2204

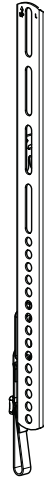
Package contents: parts

Make sure you have all the parts necessary to assemble your new TV wall mount:

01 Wall plate (1)



02 Left TV
bracket (1)



03 Right TV
bracket (1)

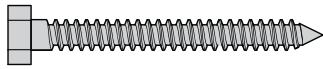

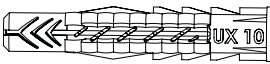














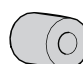
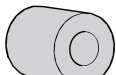
Need help? Call 800-305-2204

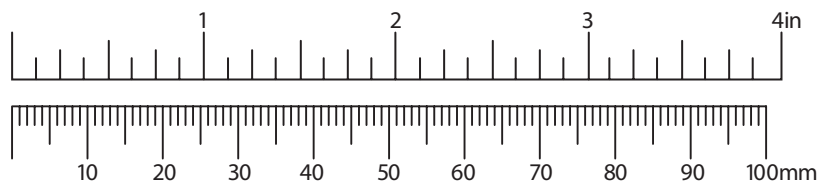
Package contents: hardware

Note: Not all hardware will be used.

Make sure you have all the hardware necessary to assemble your new wall mount:

Label	Hardware	Qty.
04	 5/16" × 2 3/4" lag bolt (7.9 mm × 69.9 mm)	4
05	 5/16" (7.9 mm) washer	4
06	 Concrete anchor	4
07	 M4 × 12 mm screw	4
08	 M4 × 30 mm screw	4
09	 M5 × 12 mm screw	4
10	 M5 × 30 mm screw	4
11	 M6 × 12 mm screw	4
12	 M6 × 20 mm screw	4

Label	Hardware	Qty.
13	 M6 × 35 mm screw	4
14	 M8 × 16 mm screw	4
15	 M8 × 40 mm screw	4
16	 M8 × 60 mm screw	4
17	 M4/M5 washer	8
18	 M6/M8 washer	4
19	 M4/M5 spacer	4
20	 M6/M8 spacer	4



Need help? Call 800-305-2204

Step 1: Adjust the tilt

Note: The tilt on the left TV bracket (02) and right TV bracket (03) must be the same.

- 1 Use a Phillips screwdriver to remove the two screws (S) from the outside edges of each TV bracket (02 and 03).
- 2 To tilt the TV forward by 5°, push the tilt brackets on the left TV bracket (02) and right TV bracket (03) down.

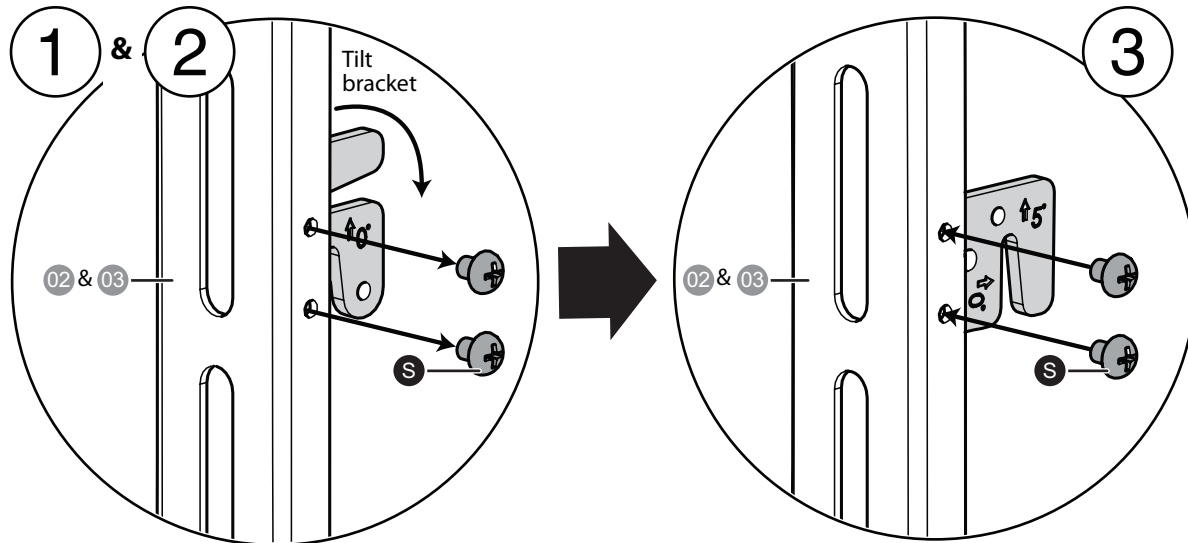
OR

To keep the TV completely vertical, push tilt brackets on the left TV bracket (02) and right TV bracket (03) up.

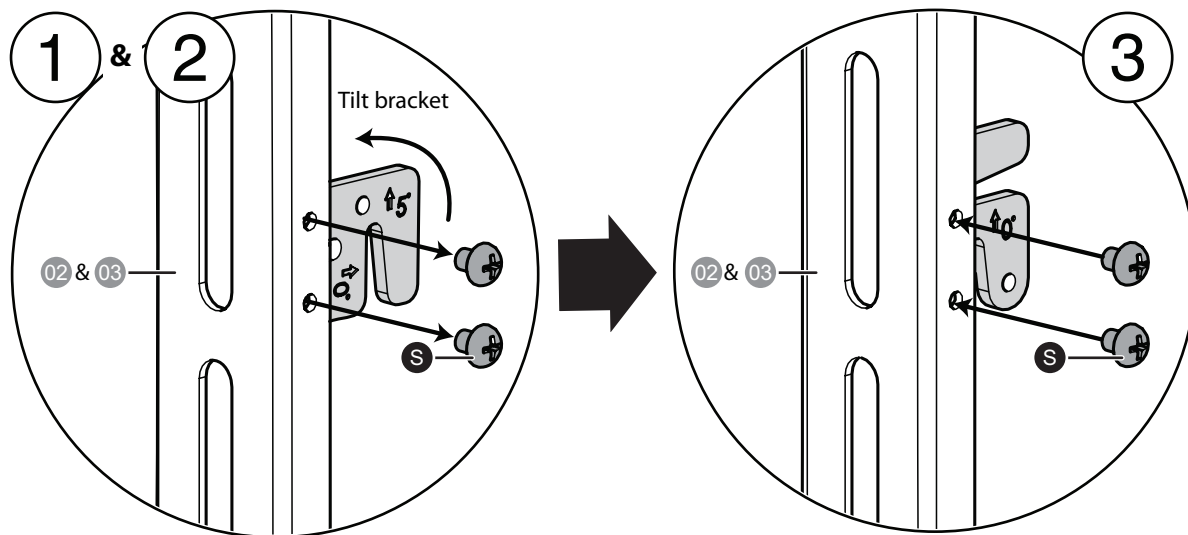
- 3 Re-insert the two tilt screws (S) into each TV bracket (02 and 03), then tighten the screws.

Caution: Do not over tighten the screws.

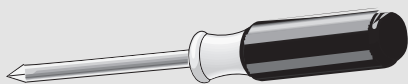
Option 1: Mount tilted -5°



Option 2: Mount not tilted



You'll need:



Phillips screwdriver

Need help? Call 800-305-2204

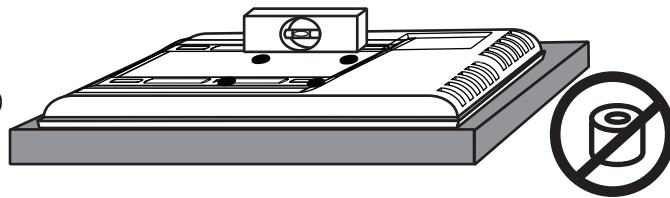
Step 2: Determine whether your TV has a flat back or an irregular or obstructed back

- 1 Carefully place your TV screen face-down on a cushioned, clean surface to protect the screen from damages and scratches.
- 2 If your TV has a table-top stand attached, remove the stand. See the documentation that came with your TV for instructions.
- 3 Align the screw holes in the brackets with the mounting screw holes on your TV. Position the brackets so they do not extend above or below your TV and do not cover any connectors or jacks. Make note of which bracket screw holes you will use.

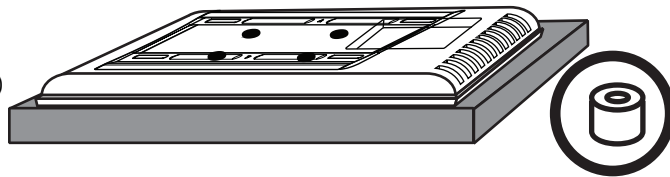
If the brackets lay flush against the back of your TV and do not block any jacks, your TV has a flat back.

If there is a gap between a bracket and some part of the back of your TV, your TV has an irregularly-shaped back. If a bracket blocks any jacks, your TV has an obstructed back. In either case, you need spacers.

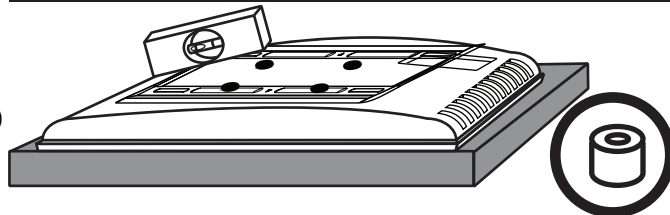
Flat back (no spacers needed)



Obstructed back (spacers needed)



Irregular back (spacers needed)



- 4 Remove the brackets.

Step 3: Select screws and spacers

- 1 Select the hardware for your TV (screws, washers, and spacers). See the documentation that came with your TV for screw length and diameter.

Select one of the following types of screws:

M4 × 12 mm screws (07)	M6 × 20 mm screws (12)
M4 × 30 mm screws (08)	M6 × 35 mm screws (13)
M5 × 12 mm screws (09)	M8 × 16 mm screws (14)
M5 × 30 mm screws (10)	M8 × 40 mm screws (15)
M6 × 12 mm screws (11)	M8 × 60 mm screws (16)

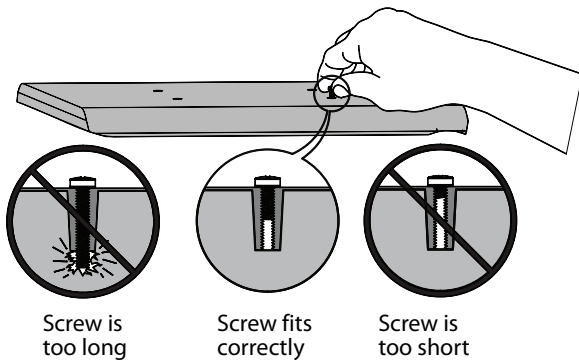
Select one of the following types of washers:

M4/M5 washers (17)	M6/M8 washers (18)
--------------------	--------------------

For an irregular or obstructed TV back, select one of the following types of spacers:

M4/M5 spacers (19)	M6/M8 spacers (20)
--------------------	--------------------

- 2 Hand thread screws into the threaded screw holes on the back of your TV to determine the correct screw diameter and length. If your TV has an irregular or obstructed back, place a spacer between your TV back and the screw to make sure you have the correct length.



Caution: To avoid potential personal injuries and property damage, make sure that there are adequate threads to secure the brackets to your TV. If you encounter resistance, stop immediately and contact customer service. Use the shortest screw and spacer combination to accommodate your TV. Using hardware that is too long may damage your TV. However, using a screw that is too short may cause your TV to fall from the mount.

- 3 Remove the screws.

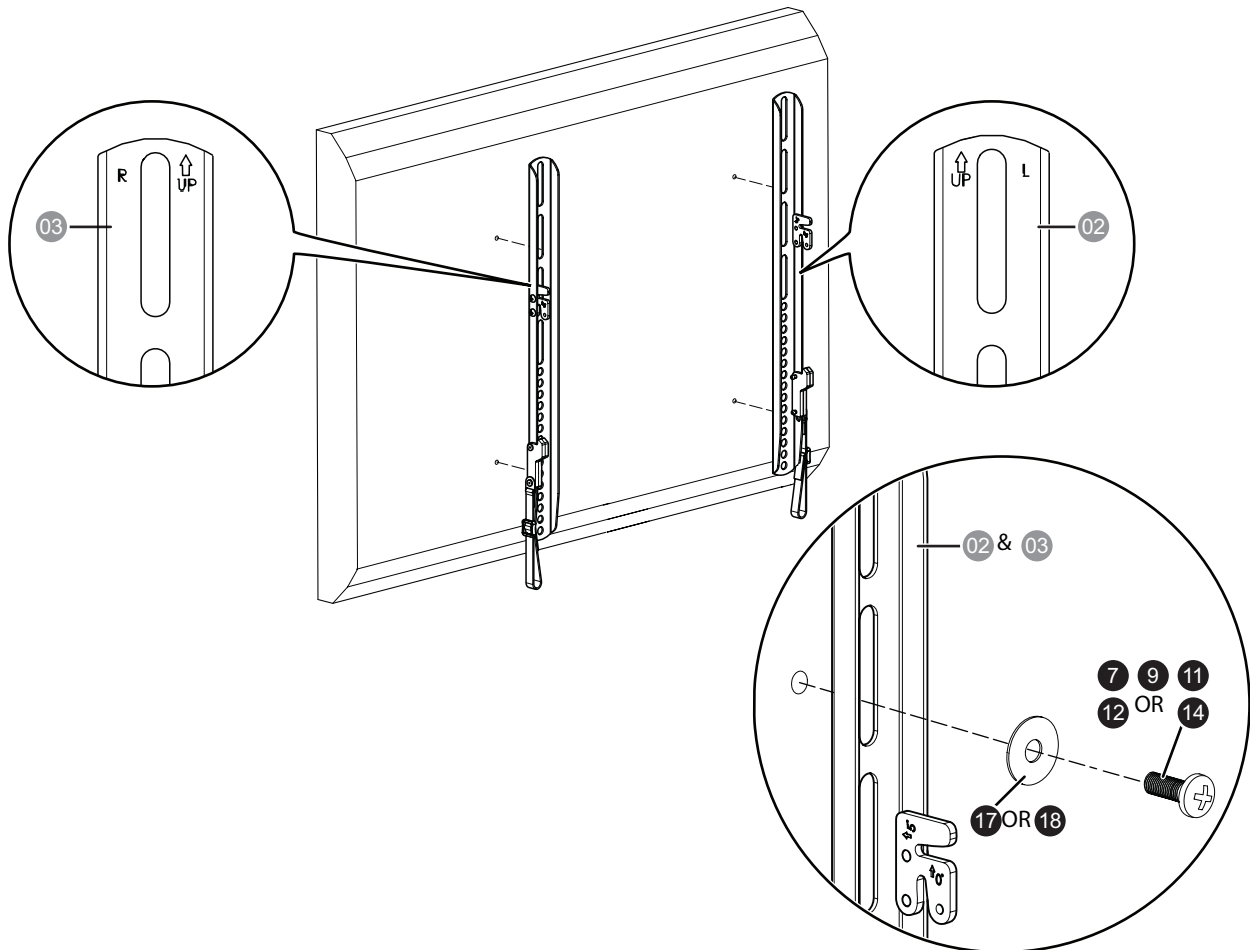
For a flat back TV, go to “Step 4: Install the TV brackets Option 1: Installing for a TV with a flat back” on page 9.

For an irregular or obstructed back, go to “Step 4: Install the TV brackets (continued) Option 2: Installing for a TV with an irregular or obstructed back” on page 10.

Step 4: Install the TV brackets

Option 1: Installing for a TV with a flat back

- 1 Align the holes you noted on the left TV bracket (**02**) and right TV bracket (**03**) with the screw holes on the back of your TV. The brackets are marked "R" for the right bracket and "L" for the left bracket.
- 2 Place the M4/M5 washers (**17**) or M6/M8 washers (**18**) over the holes in the TV brackets that align with the screw holes on the back of your TV, then insert the M4 screws (**07**), M5 screws (**09**), M6 screws (**11** or **12**) or M8 screws (**14**).
- 3 Tighten the screws until they are snug against the TV bracket. Do not over tighten.



You'll need:

Screws



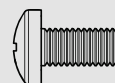
OR



OR



OR



14 (4)



12 (4)

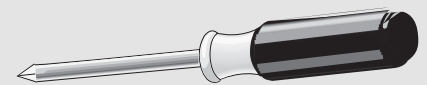
Washers



17 (4)



18 (4)



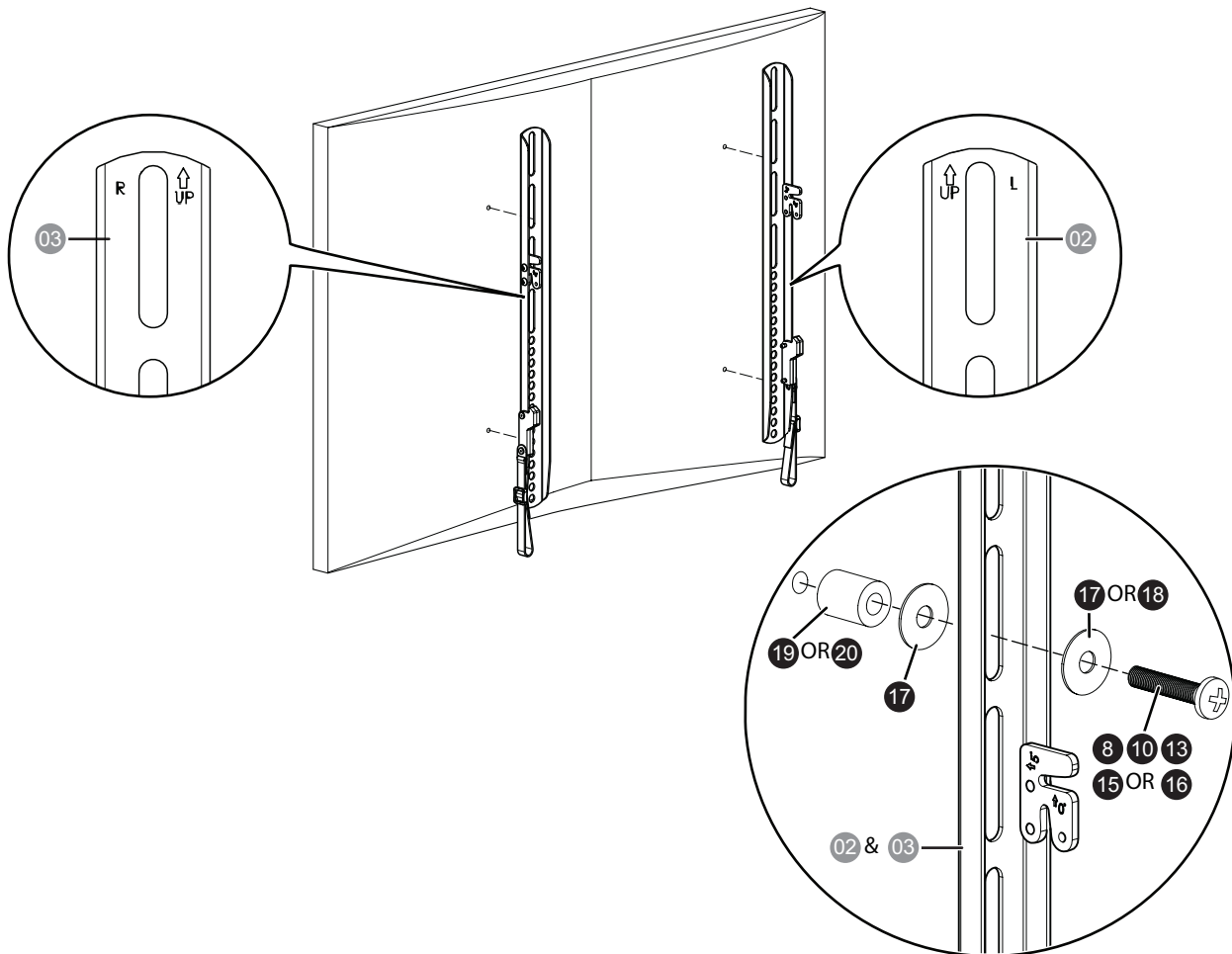
Phillips screwdriver

Need help? Call 800-305-2204

Step 4: Install the TV brackets (continued)

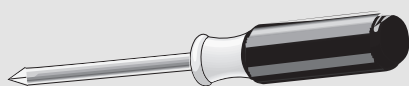
Option 2: Installing for a TV with an irregular or obstructed back

- 1 Place M4/M5 spacers (19) or M6/M8 spacers (20) over the mounting holes in the back of your TV.
- 2 If you are using M4 or M5 screws, place M4/M5 washers (17) over the spacers.
- 3 Align the holes you noted on the left TV bracket (02) and right TV bracket (03) with the spacers. The brackets are marked "R" for the right bracket and "L" for the left bracket.
- 4 Place M4/M5 washers (17) or M6/M8 washers (18) over the holes in the TV brackets, then insert M4 screws (08), M5 screws (10), M6 screws (13), or M8 screws (15 or 16).
- 5 Tighten the screws until they are snug against the TV bracket. Do not over tighten.

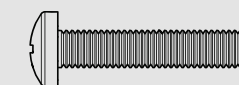


You'll need:

Screws



Phillips screwdriver



15 (4)
OR



16 (4)

Washers



17 (8)



OR
18 (4)

Spacers



19 (4)



OR
20 (4)

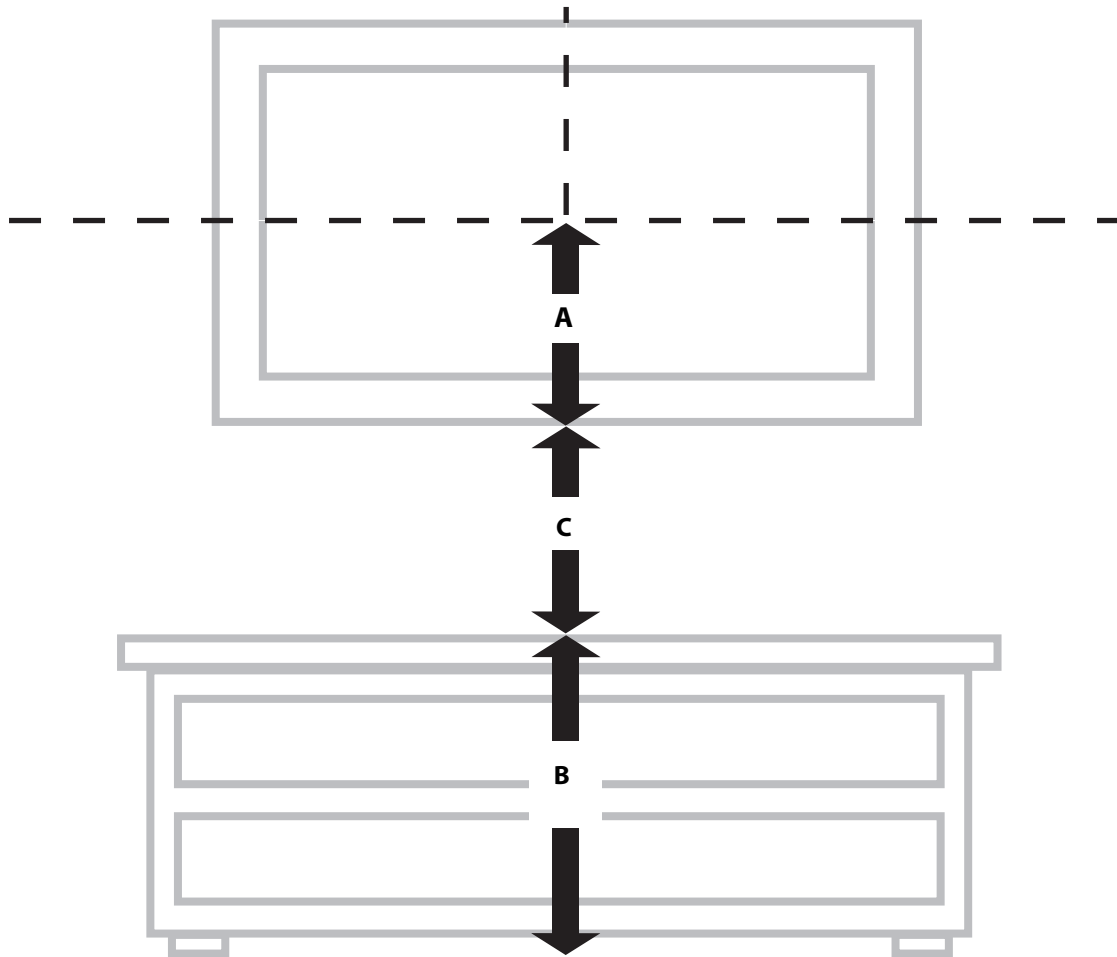
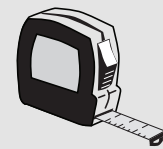
Need help? Call 800-305-2204

Step 5: Determine the wall-mount location.

Note: For help with determining where you need to drill screw holes, use the HeightFinder™ Installation Assistant at: <http://mf1.bestbuy.selectionassistant.com/index.php/heightfinder>

The center of your TV will match the center of the wall plate (01). Before you drill holes in the wall:

- 1 Measure the distance between the middle of one of the TV brackets and the bottom of your TV. This measurement is **A**.
- 2 If you plan to place furniture (such as an entertainment center or TV stand) under your TV, measure the height of the furniture and any items on top of the furniture. This measurement is **B**.
- 3 Measure the distance between the top of the furniture and where you want the bottom of your TV. This measurement is **C**.
- 4 Add **A + B + C**. The total measurement is the height where you want the center of the wall plate (01) to be on the wall.
- 5 Use a pencil to mark this spot on the wall.

**You'll need:**

Measuring tape



Pencil

Need help? Call 800-305-2204

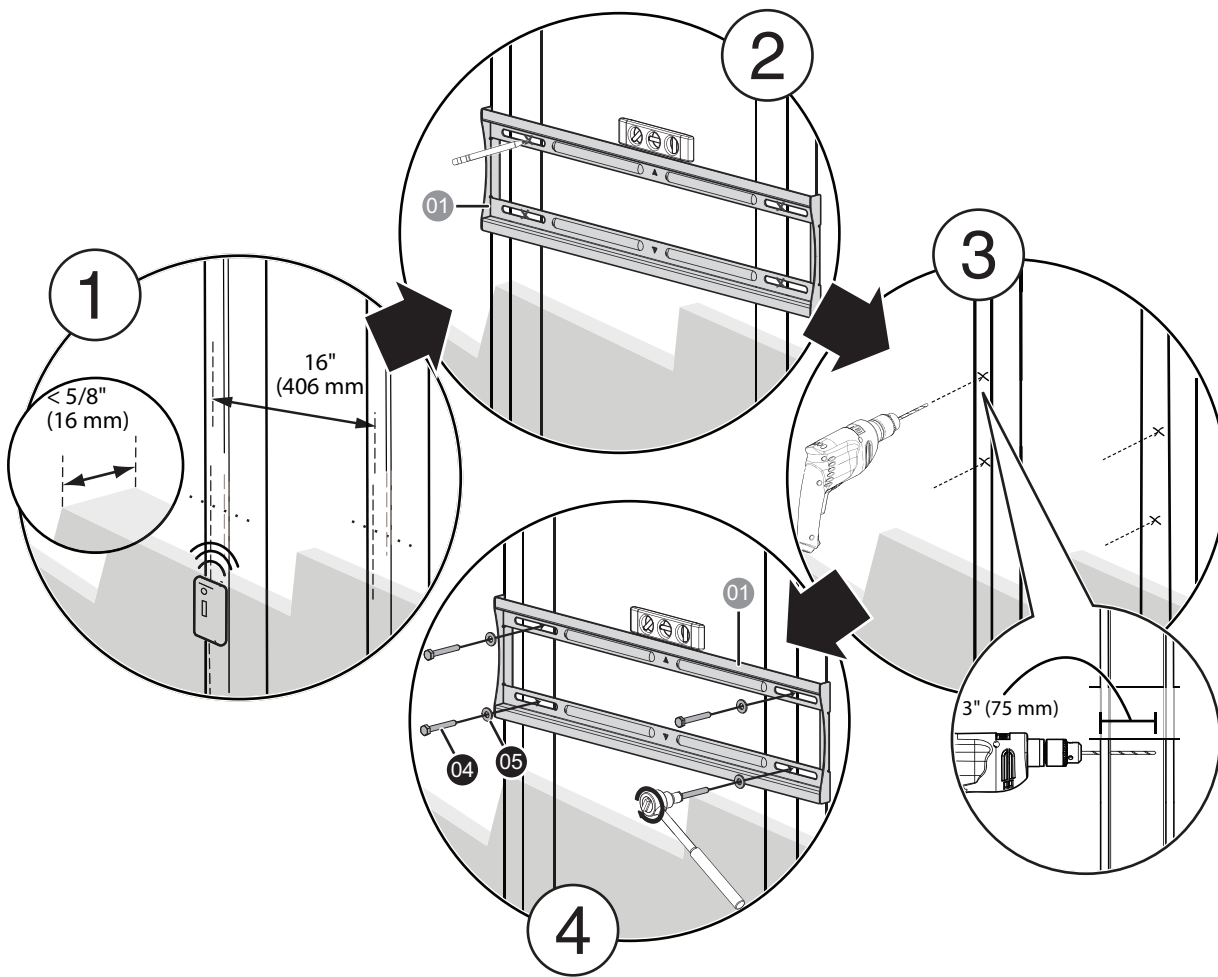
Step 6: Mount the wall plate

Note: Any material covering the wall (such as sheetrock) must not exceed 5/8" (16 mm).

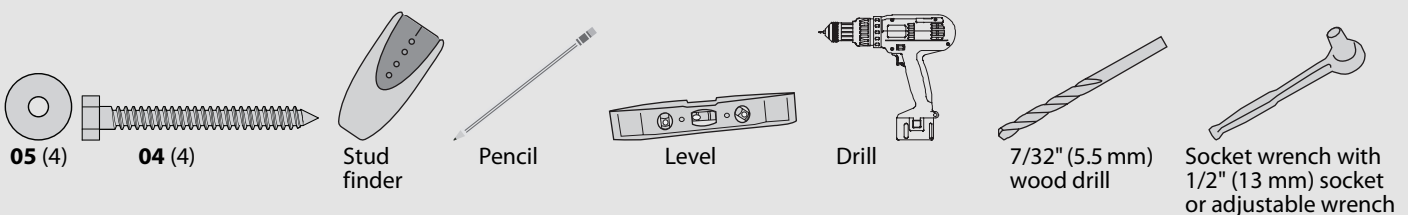
Option 1: Mounting on a wood-stud wall

- 1 Locate the studs. Verify the center of the stud with an edge-to-edge stud finder.
- 2 At the wall height you determined in the previous step, align the wall plate (01) against the wall and make sure that it is level. Use a pencil to mark the screw hole locations, then remove the wall plate.
- 3 Drill pilot holes to a depth of 3" (75 mm) using a 7/32" (5.5 mm) diameter drill bit.
- 4 Align the wall plate with the pilot holes, then place the washers (05) over the holes in the wall plate. Insert the lag bolts (04) through the washers, then tighten the lag bolts only until the washers are pulled firmly against the wall plate.

Caution: Avoid potential injuries or property damage! DO NOT over-tighten the lag bolts (04).



You'll need:



Need help? Call 800-305-2204

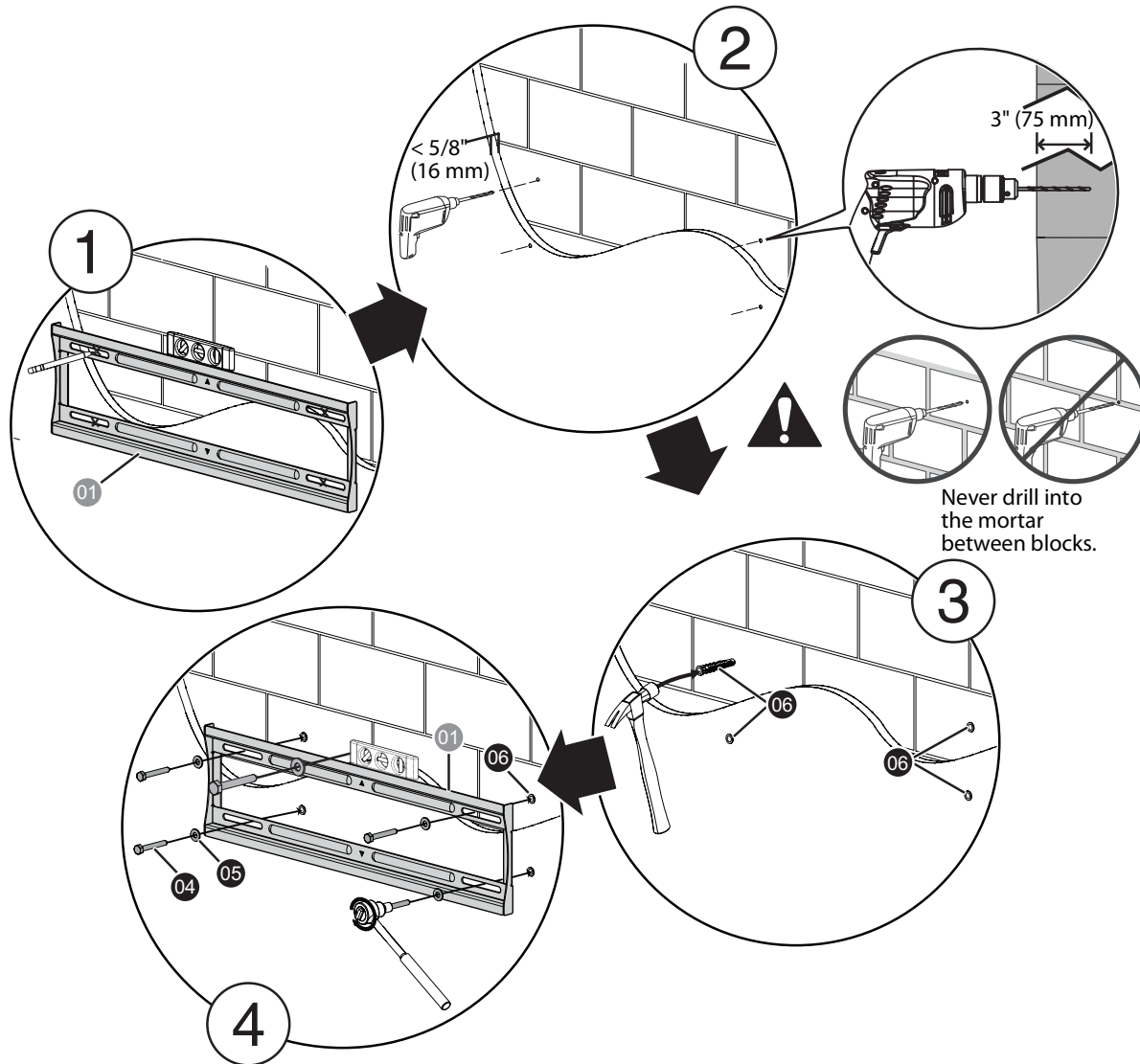
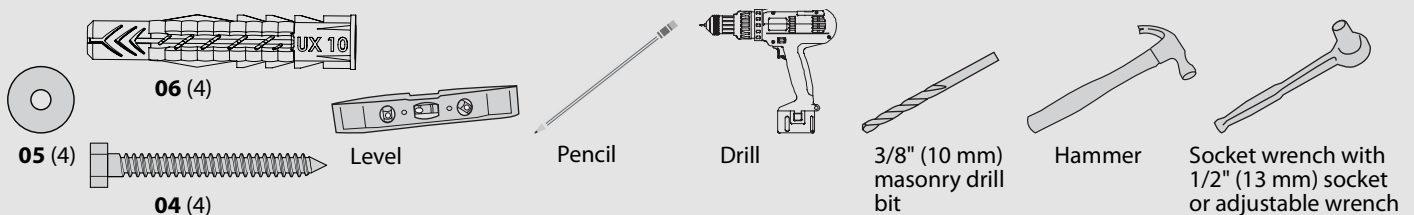
Step 6: Mount the wall plate (continued)

Note: Any material covering the wall (such as sheetrock) must not exceed 5/8" (16 mm).

Option 2: Mounting on a solid concrete or concrete block wall

- 1 Level the wall plate (01) and mark the hole locations.
- 2 Drill pilot holes to a depth of 3" (75 mm) using a 3/8 in. (10 mm) diameter masonry drill bit.
- 3 Insert concrete wall anchors (06) into the pilot holes and make sure that the anchors are seated flush with the concrete surface.
- 4 Align the wall plate with the anchors. Place washers (05) over the screw holes in the wall plate, insert lag bolts (04) through the washers, then tighten the lag bolts only until the washers are pulled firmly against the wall plate.

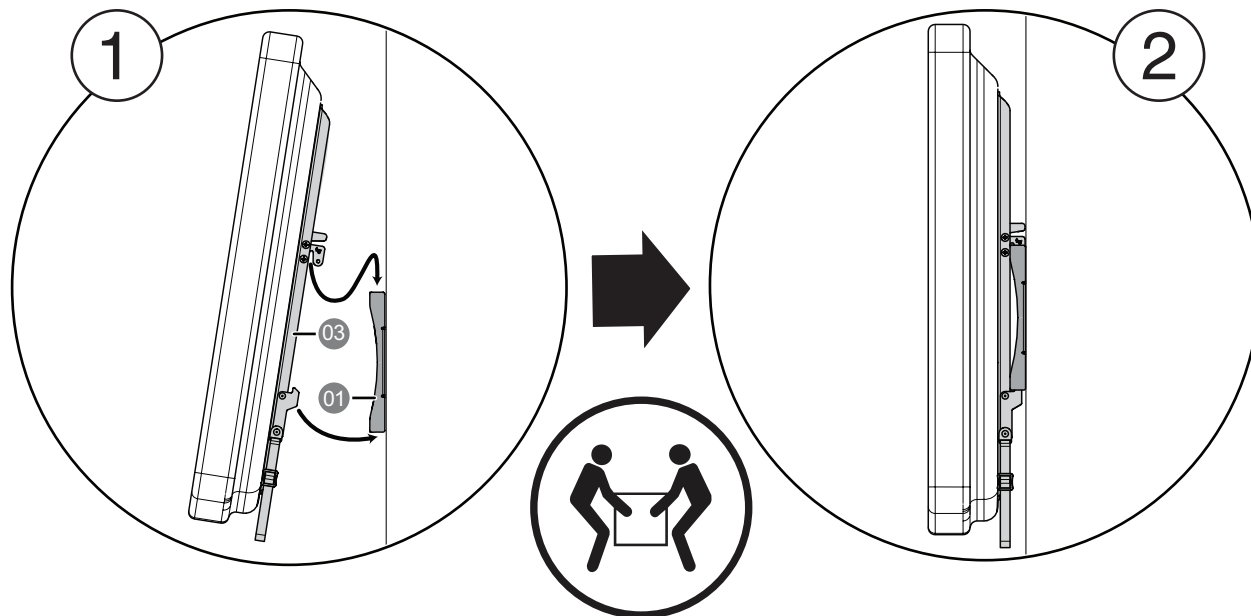
Warning: Avoid potential injuries or property damage. DO NOT over-tighten the lag bolts (04).

**You'll need:**

Need help? Call 800-305-2204

Step 7: Mount the TV on the wall plate

Lower the TV onto the wall plate (**01**) making sure that the hooks on the top of the left and right TV brackets (**02** and **03**) slide over the top of the wall plate and the hooks on the bottom of the TV brackets slide under the bottom of the wall plate. Make sure that the TV is securely attached to the wall plate.

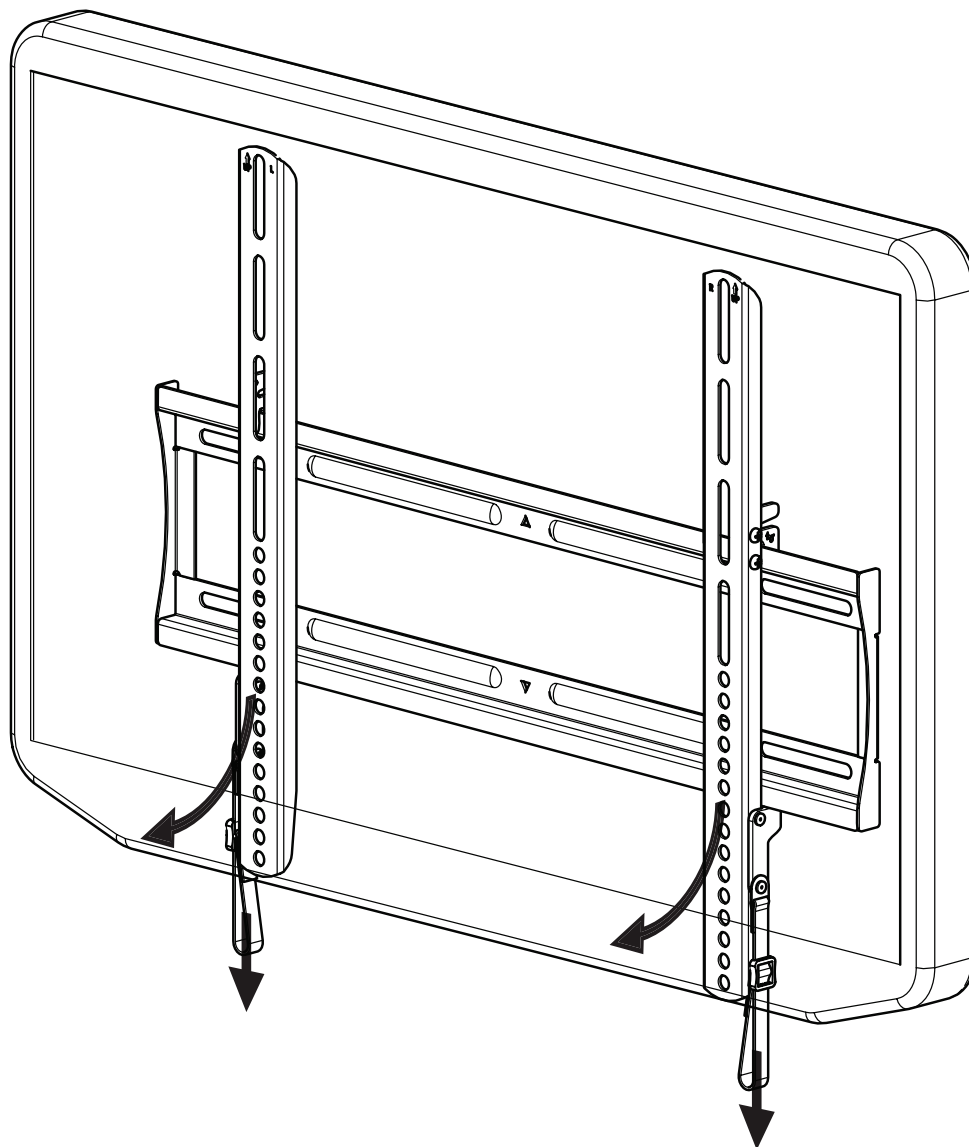


The TV is heavy. You will need assistance with this step.

Need help? Call 800-305-2204

Removing the TV from the wall plate

Simultaneously pull down on the two release cords on the TV brackets (**02** and **03**), then lift the TV up and away from the wall plate.



For customer service, call: 800-305-2204 (U.S./Canada markets)

Need help? Call 800-305-2204

DYNEX™

www.dynexproducts.com (800) 305-2204
Distributed by Best Buy Purchasing, LLC
7601 Penn Ave. South, Richfield, MN 55423 U.S.A.
© 2011 BBY Solutions, Inc.

All rights reserved.

DYNEX is a trademark of BBY Solutions, Inc. Registered in some countries. All other products and brand names are trademarks of their respective owners.

6907-002034 <01>

12-0662
ENGLISH

Free Manuals Download Website

<http://myh66.com>

<http://usermanuals.us>

<http://www.somanuals.com>

<http://www.4manuals.cc>

<http://www.manual-lib.com>

<http://www.404manual.com>

<http://www.luxmanual.com>

<http://aubethermostatmanual.com>

Golf course search by state

<http://golfingnear.com>

Email search by domain

<http://emailbydomain.com>

Auto manuals search

<http://auto.somanuals.com>

TV manuals search

<http://tv.somanuals.com>