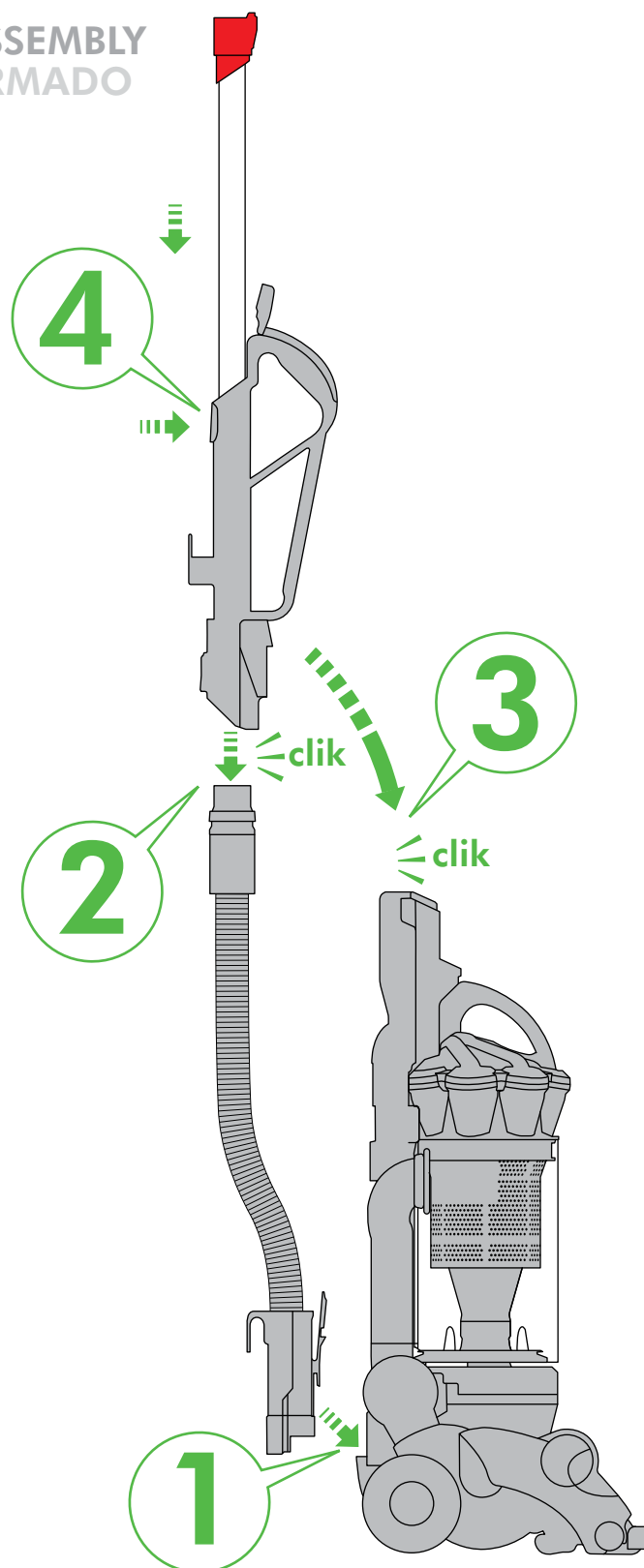


ASSEMBLY
ARMADO



3
months
meses

WASH FILTERS
Wash filters with cold water
at least every 3 months.

LAVADO DE LOS FILTROS
Lave los filtros con agua fría
al menos cada 3 meses.



REGISTER TODAY

3 easy ways to register
your 5 year warranty.

REGISTRE HOY

3 maneras fáciles de registrarse
sus 5 años de garantía.



IMPORTANT SAFETY PRECAUTIONS

READ ALL INSTRUCTIONS BEFORE USING THIS APPLIANCE

When using an electrical appliance, basic precautions should always be followed, including the following:

WARNING

TO REDUCE THE RISK OF FIRE, ELECTRIC SHOCK, OR INJURY:

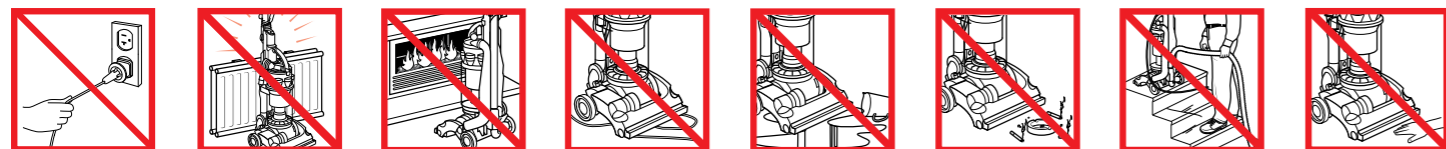
1. Do not leave the Dyson vacuum when plugged in. Unplug from outlet when not in use and before servicing.
2. Do not use outdoors or on wet surfaces. Suitable for dry locations only. Do not use to pick up water.
3. Do not allow to be used as a toy. Close attention is necessary when used by or near children. Children should be supervised to ensure that they do not play with the Dyson vacuum.
4. This Dyson vacuum is not intended for use by young children or infirm persons with reduced physical, sensory or reasoning capabilities, or lack of experience and knowledge, unless they have been given supervision or instruction by a responsible person concerning use of the Dyson vacuum to ensure that they can use the Dyson vacuum safely.
5. Use only as described in this manual. Use only Dyson recommended accessories and replacement parts. Do not carry out any maintenance other than that shown in this manual, or advised by the Dyson Customer Care Helpline. Contact the Dyson Customer Care Helpline when service or repair is required. Do not disassemble the Dyson vacuum as incorrect reassembly may result in an electric shock or fire.
6. Do not use with a damaged cord or plug. If the Dyson vacuum is not working as it should, has been dropped, damaged, left outdoors, or dropped into water, do not use and contact the Dyson Customer Care Helpline. If the supply cord is damaged it must be replaced by Dyson, its service agent or similarly qualified person in order to avoid a hazard.
7. Do not pull or carry by cord, use cord as a handle, close a door on cord or pull cord around sharp edges or corners. Do not run the Dyson vacuum over cord. Keep cord away from heated surfaces. To avoid a tripping hazard wind the cord when not in use.
8. Do not unplug by pulling on the cord. To unplug, grasp the plug, not the cord.
9. Do not handle the plug or Dyson vacuum with wet hands.
10. Do not put any object into openings. Do not use with any opening blocked; keep free of dust, lint, hair, and anything that may reduce airflow.
11. Keep hair, loose clothing, fingers, and all parts of body away from openings and moving parts, such as the brush bar. Do not point the hose, wand or tools at your eyes or ears or put them in your mouth.
12. Turn off all controls before unplugging.
13. Use extra care when cleaning on stairs. Do not work with the Dyson vacuum above you on the stairs.
14. Do not use to pick up flammable or combustible liquids, such as gasoline, or use in areas where they or their vapors may be present.
15. Do not pick up anything that is burning or smoking, such as cigarettes, matches, or hot ashes.
16. Do not use without the clear bin and filters in place.
17. The use of an extension cord is not recommended.

READ AND SAVE THESE INSTRUCTIONS

THIS DYSON VACUUM IS INTENDED FOR HOUSEHOLD USE ONLY

POLARIZATION INSTRUCTIONS

To reduce the risk of electric shock, this appliance has a polarized plug (one blade is wider than the other). This plug will fit in a polarized outlet only one way. If the plug does not fit fully in the outlet, reverse the plug. If it still does not fit, contact a qualified electrician to install the proper outlet. Do not change the plug in any way.



Do not pull on the cord.

Do not store near heat sources.

Do not use near open flame.

Do not run over the cord.

Do not pick up water or liquids.

Do not pick up burning objects.

Do not use above you on the stairs.

Do not put hands near the brush bar when the vacuum is in use.

INSTRUCCIONES DE SEGURIDAD IMPORTANTES

LEA TODAS LAS INSTRUCCIONES ANTES DE UTILIZAR LA ASPIRADORA

Al utilizar un aparato eléctrico, siempre debe tener precauciones básicas, incluyendo las que se enumeran a continuación:

PELIGRO

PARA DISMINUIR EL RIESGO DE PROVOCAR UN INCENDIO, RECIBIR UNA DESCARGA ELÉCTRICA O LESIONES:

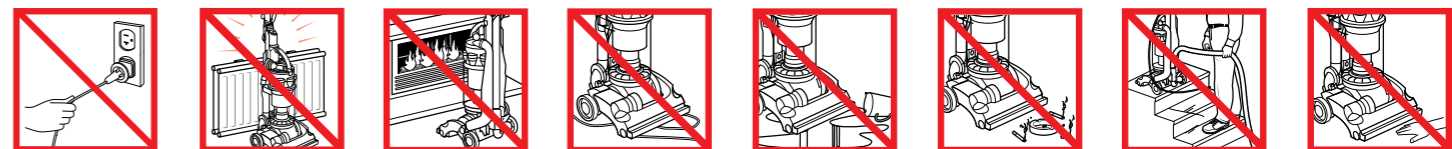
1. No deje la aspiradora Dyson desatendida mientras está enchufada. Desenchufe cuando no la utilice y antes de realizar el servicio.
2. No la use afuera (al aire libre) o sobre superficies húmedas. Adecuada solamente para lugares secos. No utilice para aspirar agua u otros líquidos.
3. No permita que se utilice como un juguete. Es necesaria la atención de un adulto cuando es utilizada por o cerca a un niño. Los niños deben ser supervisados para asegurarse de que no jueguen con la aspiradora Dyson.
4. Esta aspiradora Dyson no fue diseñada para que ser utilizada por niños o personas débiles con capacidades físicas, sensoriales o mentales reducidas, o que carezcan de conocimiento y experiencia al respecto, a menos que sean supervisadas o hayan recibido instrucciones por parte de una persona responsable.
5. Utilice solamente como se describe en este manual. Utilice solamente los accesorios y las piezas de repuesto recomendadas por Dyson. No realice ningún otro mantenimiento que no sea el que se muestra en este manual, o el recomendado por la línea de ayuda de servicio al cliente Dyson. Comuníquese con la línea de ayuda de servicio al cliente Dyson.
6. No la utilice si tiene un cable o enchufe dañado. Si la aspiradora Dyson no trabaja como debe o si se ha caído, dañado, dejado a la intemperie, o sumergido en agua, no la utilice y comuníquese con la línea de ayuda de servicio al cliente Dyson. Si el cable se daña, éste debe ser reemplazado por un agente de servicio Dyson autorizado.
7. No utilice el cable como una manija ni tire de él, evite también atrapar el cable al cerrar una puerta o tirar de éste alrededor de esquinas o bordes filosos. No pise el cable con la aspiradora. Mantenga el cable alejado de superficies calientes. Para evitar un peligro de tropiezo enrolle el cable cuando no este en uso.
8. No desconecte el aparato tirando del cable. Para desconectar, tome el enchufe y no el cable.
9. No toque el enchufe o la aspiradora con las manos mojadas.
10. No obstruya las aberturas del aparato con ningún objeto. No utilice el aparato si tiene alguna abertura obstruida; manténgalas libres de polvo, pelusas, cabellos o cualquier otra cosa que pueda reducir la circulación del aire.
11. Mantenga el cabello, ropa suelta, los dedos y cualquier otra parte del cuerpo alejados de las aberturas y de las partes móviles, como el cepillo.
12. Apague todos los controles antes de desconectar el aparato.
13. Tenga mucho cuidado cuando utilice la aspiradora sobre una escalera. No trabaje con la aspiradora Dyson por encima de usted en la escalera.
14. No aspire líquidos inflamables o combustibles como gasolina, ni la utilice en áreas dónde pueda haber este tipo de líquido.
15. No aspire nada que se esté quemando o que emita humo, como cigarrillos, fósforos o cenizas calientes.
16. No utilice la aspiradora si el compartimento cubo transparent y los filtros no están colocados en su lugar.
17. No es recomendable utilizar una extensión de cable.

CONSERVE ESTAS INSTRUCCIONES

ESTE APARATO ES PARA USO DOMÉSTICO SOLAMENTE

INSTRUCCIONES DE POLARIZACIÓN

Para disminuir el riesgo de choque eléctrico, este aparato lleva un enchufe polarizado (una clavija es más ancha que la otra). Este enchufe se conecta a una toma de corriente polarizada de una sola forma. Si el enchufe no entra totalmente en la toma de corriente, dé la vuelta al enchufe. Si sigue sin entrar bien, póngase en contacto con un electricista calificado para instalar una toma de corriente correcta. No cambie el enchufe de ninguna manera.



No tire del cord.

No guarde la aspiradora cerca de fuentes de calor.

No utilice la aspiradora cerca de una llama.

No pise el cord.

No aspire agua ni ningún tipo de líquido.

No aspire objetos que estén ardiendo.

No coloque la aspiradora por encima de usted cuando esté utilizando la escalera.

No ponga sus manos cerca del cepillo cuando esté utilizando la aspiradora.

Using your Dyson vacuum • Cómo utilizar su aspiradora Dyson

ON/OFF
ENC/APAG

Carrying your Dyson vacuum • Traslado de su aspiradora Dyson

Looking for blockages • Cómo buscar obstrucciones

1 2 3

Emptying the clear bin • Cómo vaciar el compartimiento cubo transparente

MAX

1 2 3 4

klik

High-reach cleaning • Tubo telescópico ajustable a la longitud requerida

1 2

klik

Clearing brush bar obstructions • Cómo liberar las obstrucciones en el cepillo

Hard floors/carpets • Pisos duros/alfombras

For hard floors
Para pisos

For carpets
Para alfombras

Turbine maintenance* • Mantenimiento de la turbine*

*Selected models only.
* Sólo modelos seleccionados.

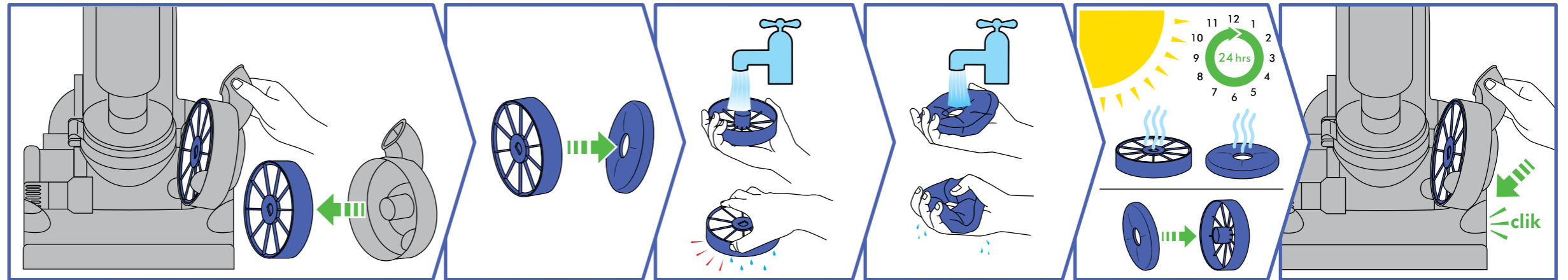
IMPORTANT! IMPORTANT!

WASH FILTERS LAVADO DE LOS FILTROS

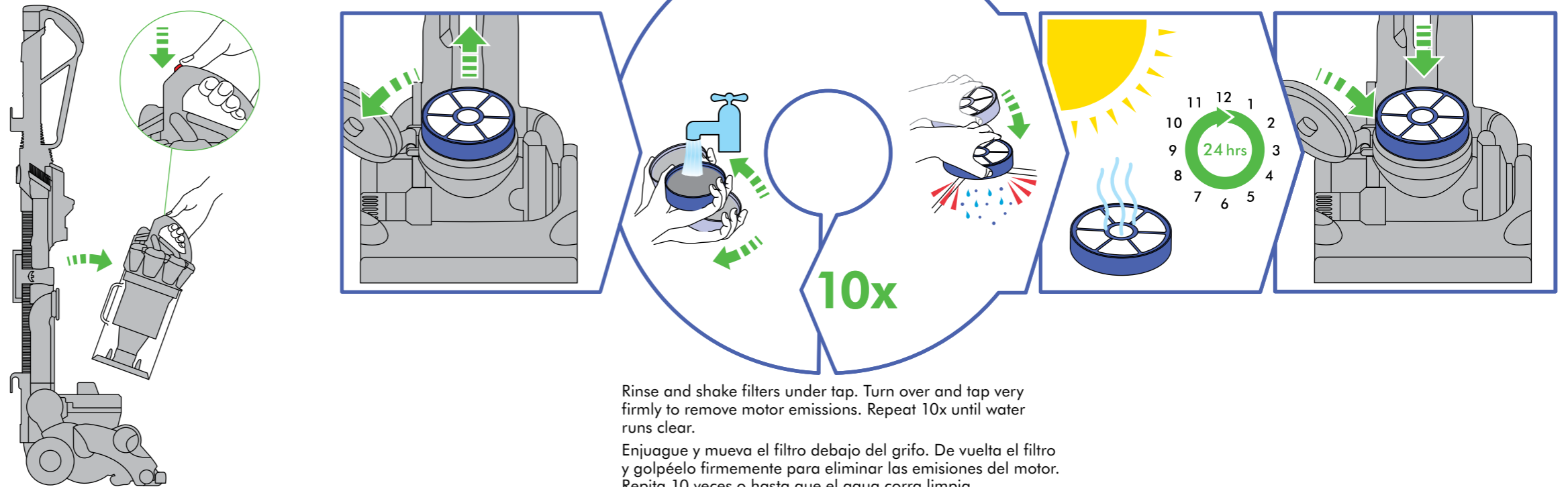


Wash filters with cold water at least every 3 months.
Lave los filtros con agua fria al menos cada 3 meses.

Filter • Filtre **A**

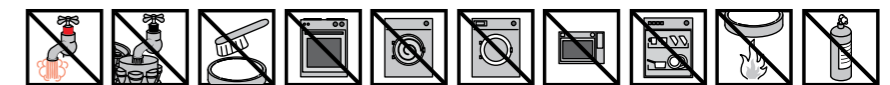
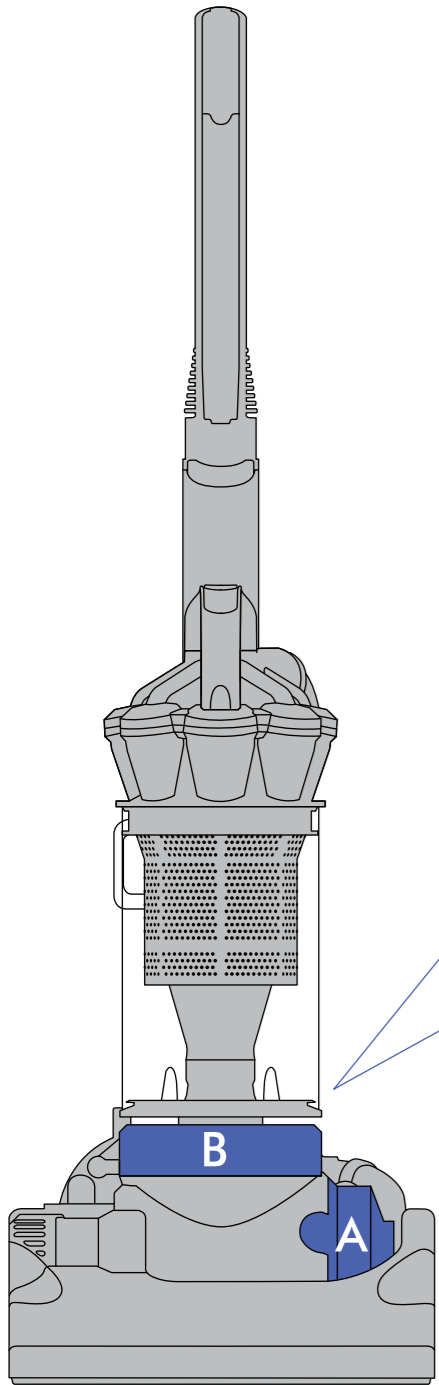


Filter • Filtre **B**



Rinse and shake filters under tap. Turn over and tap very firmly to remove motor emissions. Repeat 10x until water runs clear.

Enjuague y mueva el filtro debajo del grifo. De vuelta el filtro y golpéelo firmemente para eliminar las emisiones del motor. Repita 10 veces o hasta que el agua corra limpia.



ASSEMBLY

- Stand the vacuum up straight and slide the hose into guides at the back of the vacuum and click into place.
- Ensure the hose is straight and slide the wand straight down into the hose until it clicks into place.
- Click the wand handle into the top of the vacuum. Press the red button on the rear of the wand handle and slide the tube down. Close the wand cap.
- Attach the tools to the vacuum and wind the cord anti-clockwise around cord hooks and secure with clip.

USING YOUR DYSON VACUUM

Unwind the cord and insert the plug into a suitable socket. Hold the cleaner head down with your foot and pull the handle downwards. To switch 'ON' or 'OFF' press the power button in front of the handle.



CAUTION:

- Do not allow the vacuum to be used by anyone who may not be able to operate it safely.
- The use of an extension cord is not recommended.
- Always switch 'OFF' and unplug before performing maintenance on your vacuum.
- When returning to the upright position, ensure that the wand and clear bin assembly are fully upright before releasing the vacuum.
- Ensure the cyclone is secured to the vacuum. Do not press the cyclone release button or shake the vacuum while carrying or it could fall and cause injury.
- Store the vacuum indoors. Put the vacuum away after use with the cord coiled safely, to prevent tripping hazards.
- Do not use outdoors or on wet surfaces or to vacuum water or other liquids – electric shock could occur.
- Do not lubricate any parts, or carry out any maintenance or repair work other than that shown in this manual, or advised by the Dyson Custome Care Helpline.

PLEASE NOTE:

- This vacuum is intended for domestic use only. Fine dust such as plaster dust or flour should only be vacuumed in very small amounts.
- Do not use the vacuum to pick up sharp hard objects, small toys, pins, paper clips, etc. They may damage the vacuum.
- If used in a garage, care should be taken to wipe the soleplate and wheels with a dry cloth after vacuuming to clean off any sand, dirt, or pebbles that could damage delicate floors.
- Consult your flooring manufacturer's recommended instructions before vacuuming and caring for your flooring, rugs, and carpet. Some carpets will fuzz if a rotating brush bar is used when vacuuming. If this happens, we recommend vacuuming in hard floors mode and consulting with your flooring manufacturer.
- When vacuuming, certain carpets may generate small static charges in the clear bin. These are entirely harmless and are not associated with the mains supply. To minimize any effect from this, do not put your hand or insert any object into the clear bin unless you have first emptied it and rinsed it out with cold water. (See 'Cleaning the clear bin' section.)
- Do not use or store this vacuum below 0°C (32°F). Ensure that the vacuum is at room temperature before operating.

HARD FLOORS/CARPETS

Ensure the machine is in an upright position before adjusting the setting. The brush bar will automatically stop if it becomes obstructed. If the brush bar stops during use, please refer to the 'Clearing brush bar obstructions' section.

HIGH-REACH CLEANING



CAUTION:

- Switch 'OFF' the vacuum before changing tools.
- Powerful suction can cause the hose to 'pull back' - please take care.
- Take extra care when vacuuming on stairs; do not work with the vacuum above you on the stairs. Do not put the vacuum on chairs, tables etc.
- Ensure vacuum is in upright position before using tools.

PLEASE NOTE:

- To release the wand, open the wand cap and pull the red tube from inside the handle until it clicks. Press button to release the wand and hose from the machine. Tools can be attached to either the hose or wand.
- The brush bar will not rotate when the vacuum is in an upright position.
- Ensure wand cap is closed when not in use.

EMPTYING THE CLEAR BIN



CAUTION:

- Switch 'OFF' the vacuum and unplug before emptying the clear bin.
- Empty as soon as the dirt reaches the level of the MAX mark – do not overfill.
- To remove the clear bin from the vacuum, press the button at the rear of cyclone carrying handle. To release the dirt, press the red bin release button. Emptying into a bag is recommended for allergy sufferers.
- Do not use the vacuum without the clear bin in place.
- To minimize dust/allergen contact when emptying, encase the clear bin tightly in a plastic bag and empty. Remove the clear bin carefully and seal bag tightly, dispose as normal.

CLEANING THE CLEAR BIN



CAUTION:

To remove the cyclone unit from the clear bin press the red bin release button. This exposes a small silver button behind the red opening mechanism. Press the silver button and separate the cyclone unit from the clear bin. Ensure the clear bin is completely dry before replacing.

-

PLEASE NOTE:

- Do not use detergents, polishes or air fresheners to clean the clear bin.
- Do not put clear bin in a dishwasher.
- Clean the shroud with a cloth or dry brush to remove lint and dust.

WASHING YOUR FILTERS

DO THIS EVERY 3 MONTHS



CAUTION:

- Switch 'OFF' and unplug the vacuum before removing the filters.
- Ensure filters are completely dry before refitting to the vacuum.

PLEASE NOTE:

This machine has two filters, located as shown. It is important to check your filters regularly and wash at least every 3 months according to instructions, to maintain performance. Filter B should be rinsed and tapped out until the water runs clean, then tapped out again to ensure all excess water is removed. This will normally require up to 10 rinse cycles.

- After washing please leave for 24 hours to dry completely.
- The filters may require more frequent washing if vacuuming fine dust.
- Do not use detergents to clean the filters.
- Do not put the filters in a dishwasher, washing machine, tumble dryer, oven, microwave or near a naked flame.

LOOKING FOR BLOCKAGES



CAUTION:

- Switch 'OFF' and unplug the vacuum before checking for blockages. Failure to do so could result in personal injury. Please ensure the vacuum is upright and switched off before removing hose or airway inspection parts.
- Beware of sharp objects when clearing blockages.
- Refit all parts of the vacuum securely before using.

PLEASE NOTE:

- Clearing blockages is not covered by your vacuum's limited guarantee. This vacuum is fitted with an automatically resetting thermal cut-out. If any part of the vacuum becomes blocked, it may overheat and automatically cut-out. Switch 'OFF' and unplug the vacuum and leave to cool down for 1-2 hours before checking filter or for blockages.

CLEARING BRUSH BAR OBSTRUCTIONS



CAUTION:

- Switch 'OFF' and unplug the vacuum before clearing brush bar obstructions. Failure to do so could result in personal injury.
- Beware of sharp objects when clearing obstructions.
- Refit all parts of the vacuum securely before using.

PLEASE NOTE:

- Clearing brush bar obstructions is not covered by your vacuum's limited guarantee.

BRUSH BAR TROUBLESHOOTING

If the brush bar has stopped spinning, follow the steps below. Alternatively contact a Dyson expert on 1-866-693-9766.



CAUTION:

- Ensure machine is in reclined position.
- Ensure clutch is turned on (See page 5).
- Check the cleaner head for blockages (i.e. tangled hair, large debris).
- If the brush bar still isn't spinning, contact a Dyson expert on 1-866-693-9766.

DISPOSAL INFORMATION

Dyson products are made from high grade recyclable materials. Please dispose of this product responsibly and recycle where possible.

DYSON CUSTOMER CARE

THANK YOU FOR CHOOSING TO BUY A DYSON VACUUM

If you have a question about your Dyson vacuum, call the Dyson Helpline at 1-866-693-9766 with your serial number and details of where and when you bought the vacuum. The serial number can be found on the main body of the vacuum behind the clear bin. Most questions can be solved over the phone by one of our Dyson Helpline staff. If your vacuum needs service, call the Dyson Helpline so we can discuss the available options. If your vacuum is under warranty, and it is a covered repair, it will be repaired at no cost.

DYSON HELPLINE

Call 1-866-693-9766 toll free, 7 days a week.

PLEASE REGISTER AS A DYSON OWNER

To help us ensure you receive prompt and efficient service, please register as a Dyson vacuum owner. There are three ways to do this:

- Online at www.dyson.com
- By calling the Dyson Helpline: 1-866-693-9766.
- By completing and returning the attached Warranty Form to us by mail. This will confirm ownership of your Dyson vacuum in the event of an insurance loss, and enable us to contact you if necessary.

5 YEAR WARRANTY

TERMS AND CONDITIONS OF THE DYSON 5 YEAR LIMITED WARRANTY.

WHAT IS COVERED

Your Dyson vacuum is warranted against original defects in material and workmanship for a period of five years from the date of purchase, when used for private household purposes in accordance with the Operating Manual.

This warranty provides, at no extra cost to you, all labor and parts necessary to ensure your vacuum is in proper operating condition during the warranty period. This limited warranty is subject to the following terms:

WHAT IS NOT COVERED

Dyson, Inc. shall not be liable for costs, damages or repairs incurred as a result of:

- Vacuums purchased from an unauthorized dealer.
- Clearing blockages from your vacuum.
- Carpet damage due to use not in accordance with flooring manufacturer's instructions or failure to turn brush bar off when necessary.
- Use of parts not in accordance with the Operating Manual.
- Careless operation or handling, misuse, abuse and/or lack of maintenance or use not in accordance with the Operating Manual.
- External sources such as weather.
- Repairs or alterations carried out by unauthorized parties or agents.
- Use of the vacuum other than for normal domestic purposes within the United States, e.g. for commercial or rental purposes.
- Normal wear and tear, including normal wearing parts such as clear bin, belt, filter, brush bar, hose assembly and power cord (or where external damage or abuse is diagnosed).
- Use of parts and accessories other than those produced or recommended by Dyson, Inc.

WARRANTY SERVICE

- Please fill out and return the Warranty Form, or register online at www.dyson.com
- Before service can take place, the terms of the limited warranty require that you contact the Dyson Helpline with your model name/number, serial number, date and place of purchase. Please keep your purchase receipt in a safe place to ensure you have this information. The serial number is found on the vacuum's rating plate, which is behind the clear bin.
- All work will be carried out by Dyson, Inc. or its authorized agents.
- Any replaced defective parts will become the property of Dyson, Inc.
- Service under this warranty will not extend the period of this warranty.
- If your vacuum is not functioning properly, please call the Dyson Helpline at 1-866-693-9766. Most issues can be rectified over the telephone by our trained Customer Care staff. If this is not possible Dyson, Inc. will arrange for your vacuum to be repaired and returned in full working order at no extra cost to yourself.

WARRANTY LIMITATIONS AND EXCLUSIONS

- Any implied warranties relating to your vacuum, including but not limited to warranty of merchantability or warranty of fitness for a particular purpose, are limited to the duration of this warranty. This limitation is not allowed by some States and so this limitation may not apply to you.
- Your remedy for breach of this warranty is limited to the warranty service described above. Dyson, Inc. will not be liable for any consequential damages or incidental damages you may incur in connection with your purchase and use of your vacuum. This limitation is not allowed by some States and so this limitation may not apply to you.
- This limited warranty gives you specific legal rights. You may also have other rights which vary by State.
- This limited warranty is not transferable.

IMPORTANT DATA PROTECTION INFORMATION

Your details will be held by Dyson, Inc. or others on behalf of Dyson, Inc. so that we can assist you more quickly in our Customer Service department. From time to time, Dyson, Inc. may send you special offers and news of our latest innovations. Check the box on the Warranty Form within the Operating Manual if you do not wish to receive marketing or promotional information from Dyson, Inc. For more information about our data collection practices, please refer to the Dyson, Inc privacy policy at www.dyson.com/privacy

PRODUCT INFORMATION

Net weight: 17.50lbs, (7.90kg).

Please note: Small details may vary from those shown.

IMPORTANT! IMPORTANT!

WASH FILTERS LAVADO DE LOS FILTROS



Wash filters with cold water at least every 3 months.
Lave los filtros con agua fría al menos cada 3 meses.



Dyson Customer Care

If you have a question about your Dyson vacuum, call the Dyson Helpline with your serial number and details of where and when you bought the vacuum, or contact us via the Dyson website. The serial number can be found on the main body of the vacuum behind the clear bin.

Servicio de atención al cliente Dyson

Si tiene preguntas sobre su aspiradora Dyson, llame a la línea de ayuda Dyson con su número de serie y los detalles de dónde y cuándo compró su aspiradora, o comuníquese con nosotros por medio del sitio en Internet de Dyson. El número de serie se encuentra en la base principal de su aspiradora detrás del cubo transparente.

Dyson Customer Care
1-866-693-9766
Toll free, 7 days a week

Servicio de atención al cliente Dyson
1-866-693-9766
Llamada gratuita, 7 días a la semana



WARRANTY FORM • FORMULARIO DE GARANTÍA

Date of purchase | Fecha de compra

 / /

Serial number | Número de série

Title | Tratamiento

Last name | Apellido

First name | Apellido

Address | Dirección

Zip Code | Código postal

e-mail | e-mail

Telephone | Teléfono

From time to time, we'd like to tell you about new Dyson technology and services or get your opinion about your purchase. If you'd prefer us NOT to keep in touch, please tick this box.

De vez en cuando, queremos decirle acerca de la nueva tecnología de Dyson y servicios o conseguir su opinión acerca de su compra. Marque esta casilla si prefiere que NO mantengamos contacto con usted.

3 EASY WAYS TO REGISTER | 3 MANERAS FÁCILES DE REGISTRARSE

ONLINE

Convenient and instant.
www.dyson.com/register

**EN LÍNEA**

Conveniente y al instante.
www.dyson.com/register

PHONE

Just call our helpline on
1-866-693-9766. It's open
 from 7am – 8pm Monday
 to Friday, 8am – 6pm Saturday
 and 9am – 6pm Sunday CST.

**POR TELÉFONO**

El horario es de lunes a viernes de
 7 am a 8 pm, sábados de 8 am a 6
 pm y domingos de 9 am a 6 pm hora
 oficial del centro. **1-866-693-9766**.

MAIL

Complete and return the
 form in the envelope supplied.

**POR CORREO**

Complete este formulario y envíelo.



Free Manuals Download Website

<http://myh66.com>

<http://usermanuals.us>

<http://www.somanuals.com>

<http://www.4manuals.cc>

<http://www.manual-lib.com>

<http://www.404manual.com>

<http://www.luxmanual.com>

<http://aubethermostatmanual.com>

Golf course search by state

<http://golfingnear.com>

Email search by domain

<http://emailbydomain.com>

Auto manuals search

<http://auto.somanuals.com>

TV manuals search

<http://tv.somanuals.com>