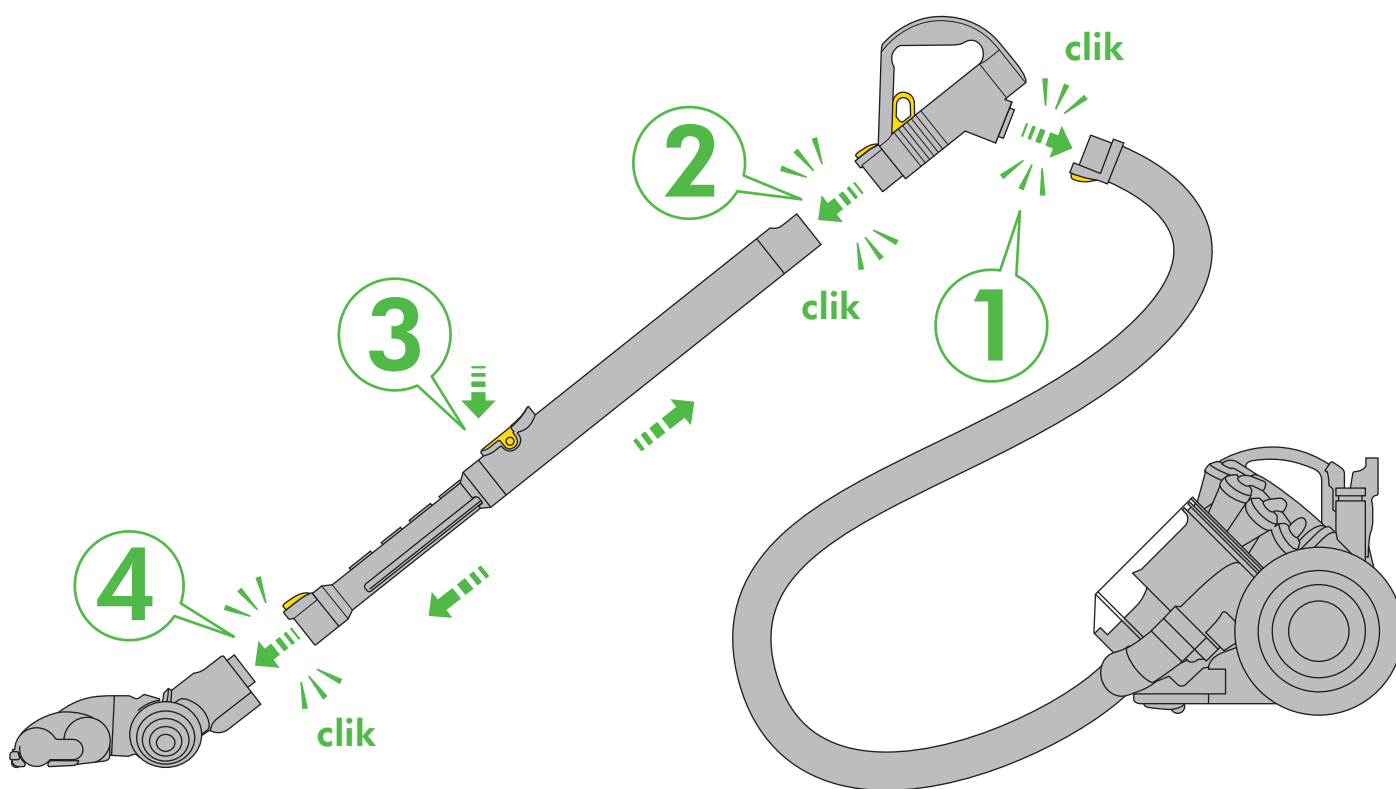


ASSEMBLY • ARMADO



REGISTER TODAY

3 easy ways to register your 5 year warranty.

REGISTRE HOY

3 maneras fáciles de registrarse sus 5 años de garantía.

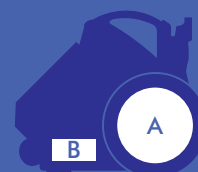


WASH FILTERS

Wash filters with cold water at least every month.

LAVADO DE FILTROS

Lave con agua fría al menos cada mes.



IMPORTANT SAFETY INSTRUCTIONS

READ ALL INSTRUCTIONS BEFORE USING THIS APPLIANCE

When using an electrical appliance, basic precautions should always be followed, including the following:

WARNING

TO REDUCE THE RISK OF FIRE, ELECTRIC SHOCK, OR INJURY:

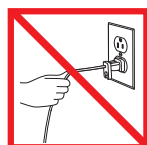
1. Do not leave the Dyson vacuum when plugged in. Unplug from outlet when not in use and before servicing.
2. Do not use outdoors or on wet surfaces. Suitable for dry locations only. Do not use to pick up water.
3. Do not allow to be used as a toy. Close attention is necessary when used by or near children. Children should be supervised to ensure that they do not play with the Dyson vacuum.
4. This Dyson vacuum is not intended for use by young children or infirm persons with reduced physical, sensory or reasoning capabilities, or lack of experience and knowledge, unless they have been given supervision or instruction by a responsible person concerning use of the Dyson vacuum to ensure that they can use the Dyson vacuum safely.
5. Use only as described in this manual. Use only Dyson recommended accessories and replacement parts. Do not carry out any maintenance other than that shown in this manual, or advised by the Dyson Customer Care Helpline. Contact the Dyson Customer Care Helpline when service or repair is required. Do not disassemble the Dyson vacuum as incorrect reassembly may result in an electric shock or fire.
6. Do not use with a damaged cord or plug. If the Dyson vacuum is not working as it should, has been dropped, damaged, left outdoors, or dropped into water, do not use and contact the Dyson Customer Care Helpline. If the cord is damaged it must be replaced by an authorized Dyson service agent.
7. Do not pull or carry by cord, use cord as a handle, close a door on cord or pull cord around sharp edges or corners. Do not run the Dyson vacuum over cord. Keep cord away from heated surfaces. To avoid a tripping hazard wind the cord when not in use.
8. Do not unplug by pulling on the cord. To unplug, grasp the plug, not the cord.
9. Do not handle the plug or Dyson vacuum with wet hands.
10. Do not put any object into openings. Do not use with any opening blocked; keep free of dust, lint, hair, and anything that may reduce airflow.
11. Keep hair, loose clothing, fingers, and all parts of body away from openings and moving parts, such as the brush bar. Do not point the hose, wand or tools at your eyes or ears or put them in your mouth.
12. Turn off all controls before unplugging.
13. Use extra care when cleaning on stairs. Do not work with the Dyson vacuum above you on the stairs.
14. Do not use to pick up flammable or combustible liquids, such as gasoline, or use in areas where they or their vapors may be present.
15. Do not pick up anything that is burning or smoking, such as cigarettes, matches, or hot ashes.
16. Do not use without the clear bin and filters in place.
17. The use of an extension cord is not recommended.
18. Hold the plug when rewinding onto cord reel. Do not allow the plug to whip when rewinding.
19. Always turn off this appliance before connecting or disconnecting either hose or nozzle.

READ AND SAVE THESE INSTRUCTIONS

THIS DYSON VACUUM IS INTENDED FOR HOUSEHOLD USE ONLY

POLARIZATION INSTRUCTIONS

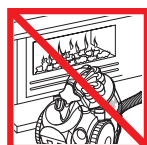
To reduce the risk of electric shock, this appliance has a polarized plug (one blade is wider than the other). This plug will fit in a polarized outlet only one way. If the plug does not fit fully in the outlet, reverse the plug. If it still does not fit, contact a qualified electrician to install the proper outlet. Do not change the plug in any way.



Do not pull on the cord.



Do not store near heat sources.



Do not use near open flame.



Do not run over the cord.



Do not pick up water or liquids.



Do not pick up burning objects.



Do not use above you on the stairs.



Do not put hands near the brush bar when the vacuum is in use.

INSTRUCCIONES DE SEGURIDAD IMPORTANTES

LEA TODAS LAS INSTRUCCIONES ANTES DE UTILIZAR LA ASPIRADORA

Al utilizar un aparato eléctrico, siempre debe tener precauciones básicas, incluyendo las que se enumeran a continuación:

PELIGRO

PARA DISMINUIR EL RIESGO DE PROVOCAR UN INCENDIO, RECIBIR UNA DESCARGA ELÉCTRICA O LESIONES:

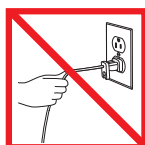
1. No deje la aspiradora Dyson desatendida mientras está enchufada. Desenchufe cuando no la utilice y antes de realizar el servicio.
2. No la use afuera (al aire libre) o sobre superficies húmedas. Adecuada solamente para lugares secos. No utilice para aspirar agua u otros líquidos.
3. No permita que se utilice como un juguete. Es necesaria la atención de un adulto cuando es utilizada por o cerca a un niño. Los niños deben ser supervisados para asegurarse de que no jueguen con la aspiradora Dyson.
4. Esta aspiradora Dyson no fue diseñada para que ser utilizada por niños o personas débiles con capacidades físicas, sensoriales o mentales reducidas, o que carezcan de conocimiento y experiencia al respecto, a menos que sean supervisadas o hayan recibido instrucciones por parte de una persona responsable.
5. Utilice solamente como se describe en este manual. Utilice solamente los accesorios y las piezas de repuesto recomendadas por Dyson. No realice ningún otro mantenimiento que no sea el que se muestra en este manual, o el recomendado por la línea de ayuda de servicio al cliente Dyson. Comuníquese con la línea de ayuda de servicio al cliente Dyson.
6. No la utilice si tiene un cable o enchufe dañado. Si la aspiradora Dyson no trabaja como debe o si se ha caído, dañado, dejado a la intemperie, o sumergido en agua, no la utilice y comuníquese con la línea de ayuda de servicio al cliente Dyson. Si el cable se daña, éste debe ser reemplazado por un agente de servicio Dyson autorizado.
7. No utilice el cable como una manija ni tire de él, evite también atrapar el cable al cerrar una puerta o tirar de éste alrededor de esquinas o bordes filosos. No pise el cable con la aspiradora. Mantenga el cable alejado de superficies calientes. Para evitar un peligro de tropiezo enrolle el cable cuando no este en uso.
8. No desconecte el aparato tirando del cable. Para desconectar, tome el enchufe y no el cable.
9. No toque el enchufe o la aspiradora con las manos mojadas.
10. No obstruya las aberturas del aparato con ningún objeto. No utilice el aparato si tiene alguna abertura obstruida; manténgalas libres de polvo, pelusas, cabellos o cualquier otra cosa que pueda reducir la circulación del aire.
11. Mantenga el cabello, ropa suelta, los dedos y cualquier otra parte del cuerpo alejados de las aberturas y de las partes móviles, como el cepillo.
12. Apague todos los controles antes de desconectar el aparato.
13. Tenga mucho cuidado cuando utilice la aspiradora sobre una escalera. No trabaje con la aspiradora Dyson por encima de usted en la escalera.
14. No aspire líquidos inflamables o combustibles como gasolina, ni la utilice en áreas dónde pueda haber este tipo de líquido.
15. No aspire nada que se esté quemando o que emita humo, como cigarrillos, fósforos o cenizas calientes.
16. No utilice la aspiradora si el compartimiento cubo transparent y los filtros no están colocados en su lugar.
17. No es recomendable utilizar una extensión de cable.
18. Sostenga el enchufe cuando rebobine en la bobina del cable. No permita que el enchufe se golpee cuando rebobine.
19. Siempre apague este aparato antes de conectar o desconectar ya sea la manguera o la boquilla.

CONSERVE ESTAS INSTRUCCIONES

ESTE APARATO ES PARA USO DOMÉSTICO SOLAMENTE

INSTRUCCIONES DE POLARIZACIÓN

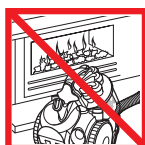
Para disminuir el riesgo de choque eléctrico, este aparato lleva un enchufe polarizado (una clavija es más ancha que la otra). Este enchufe se conecta a una toma de corriente polarizada de una sola forma. Si el enchufe no entra totalmente en la toma de corriente, dé la vuelta al enchufe. Si sigue sin entrar bien, póngase en contacto con un electricista calificado para instalar una toma de corriente correcta. No cambie el enchufe de ninguna manera.



No tire del cable.



No guarde la aspiradora cerca de fuentes de calor.



No utilice la aspiradora cerca de una llama.



No pise el cable.



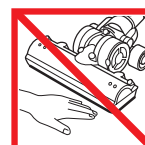
No aspire agua ni ningún tipo de líquido.



No aspire objetos que estén ardiendo.

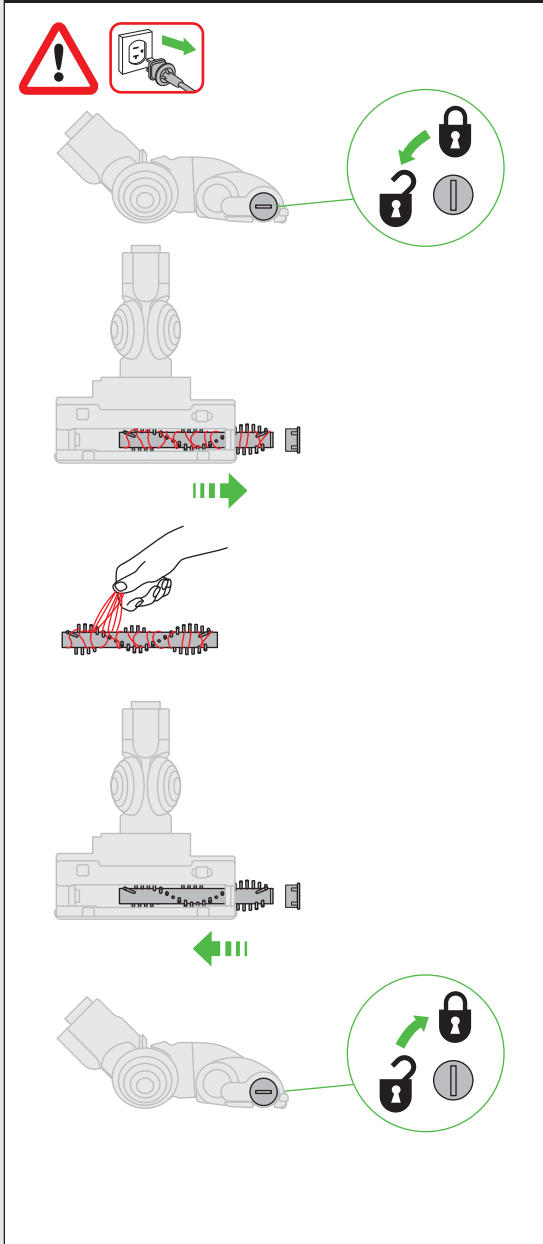


No coloque la aspiradora por encima de usted cuando esté en una escalera.

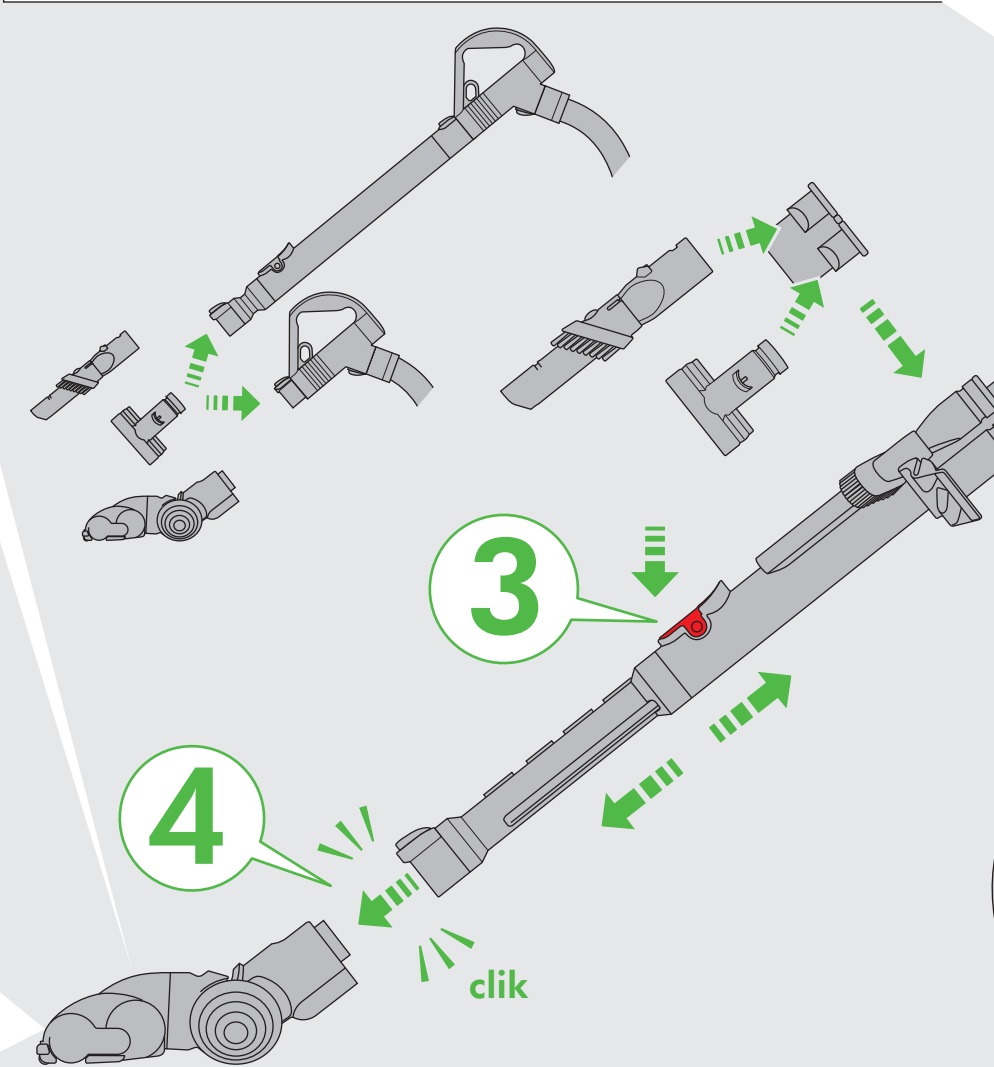
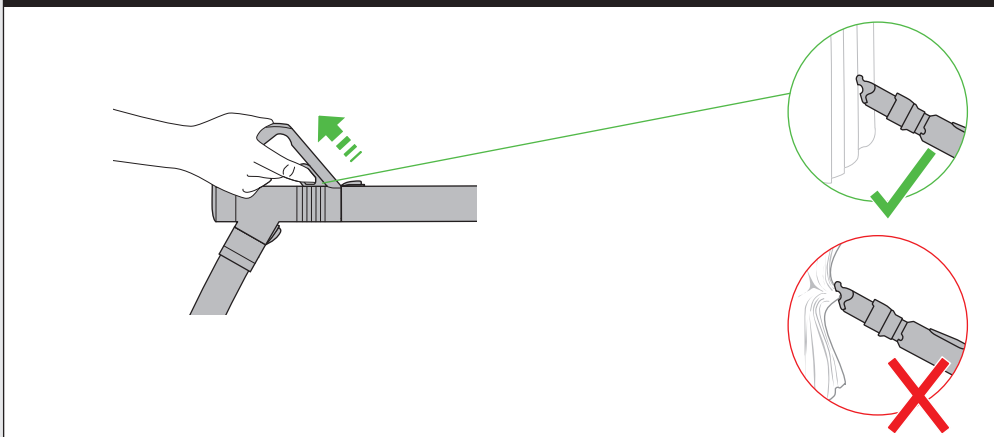


No ponga sus manos cerca del cepillo cuando esté utilizando la aspiradora.

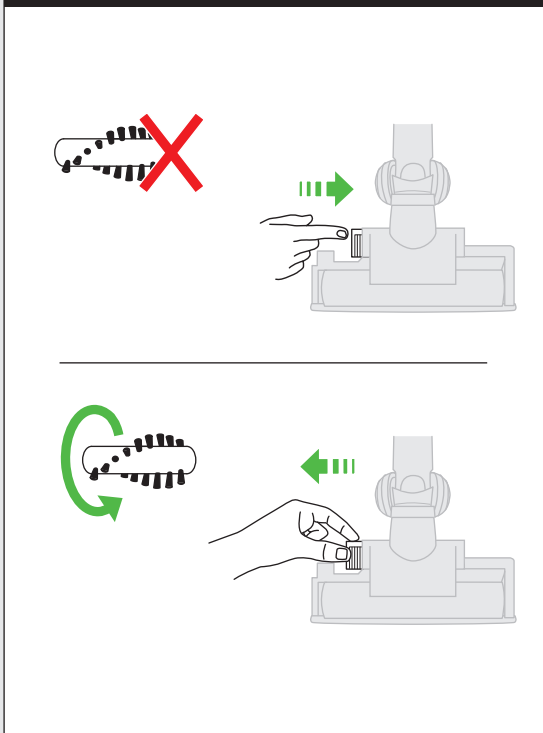
Clearing brush bar obstructions
 • Cómo liberar las obstrucciones en el cepillo



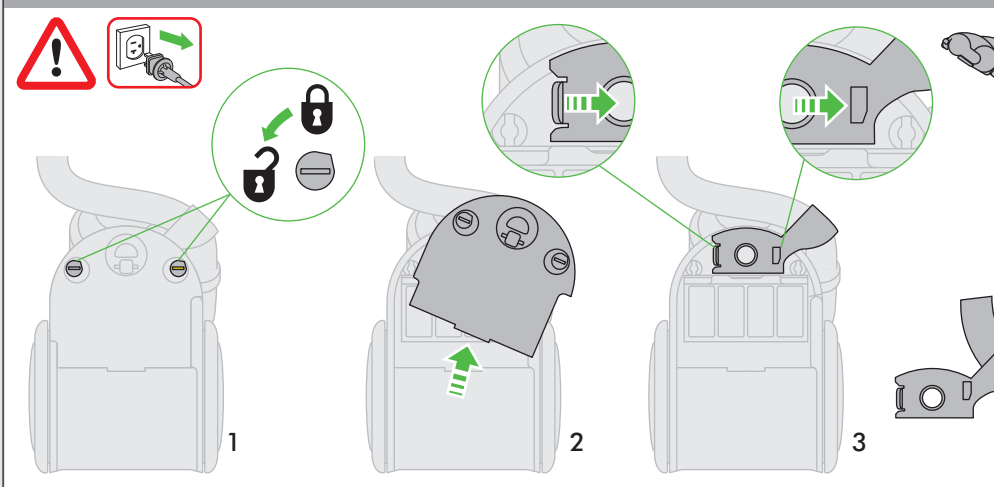
Suction release • Gatillo reductor de succión



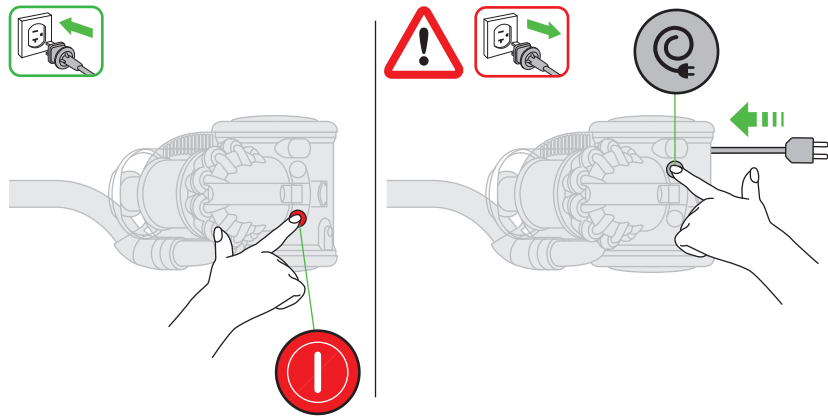
Turbine head • Cepillo turbine head



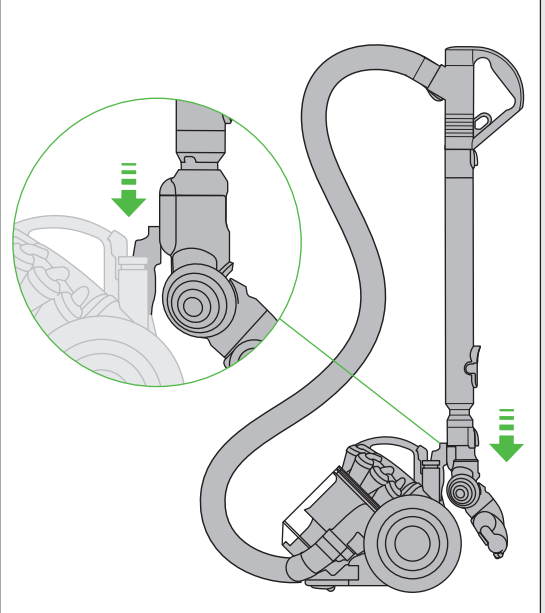
Looking for blockages • Cómo buscar obstrucciones



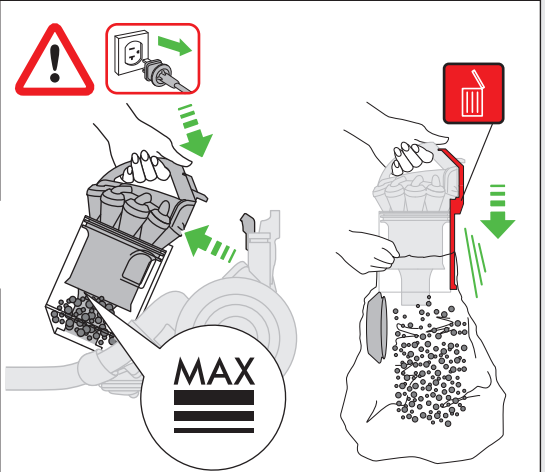
Power and Cable • Encendido y recgecables



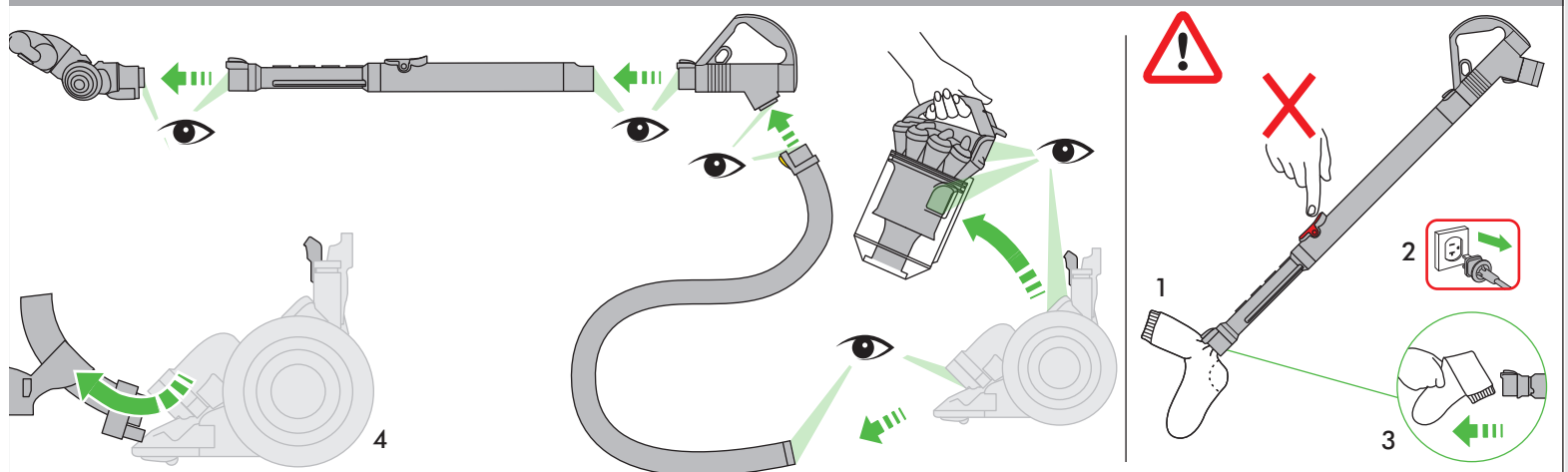
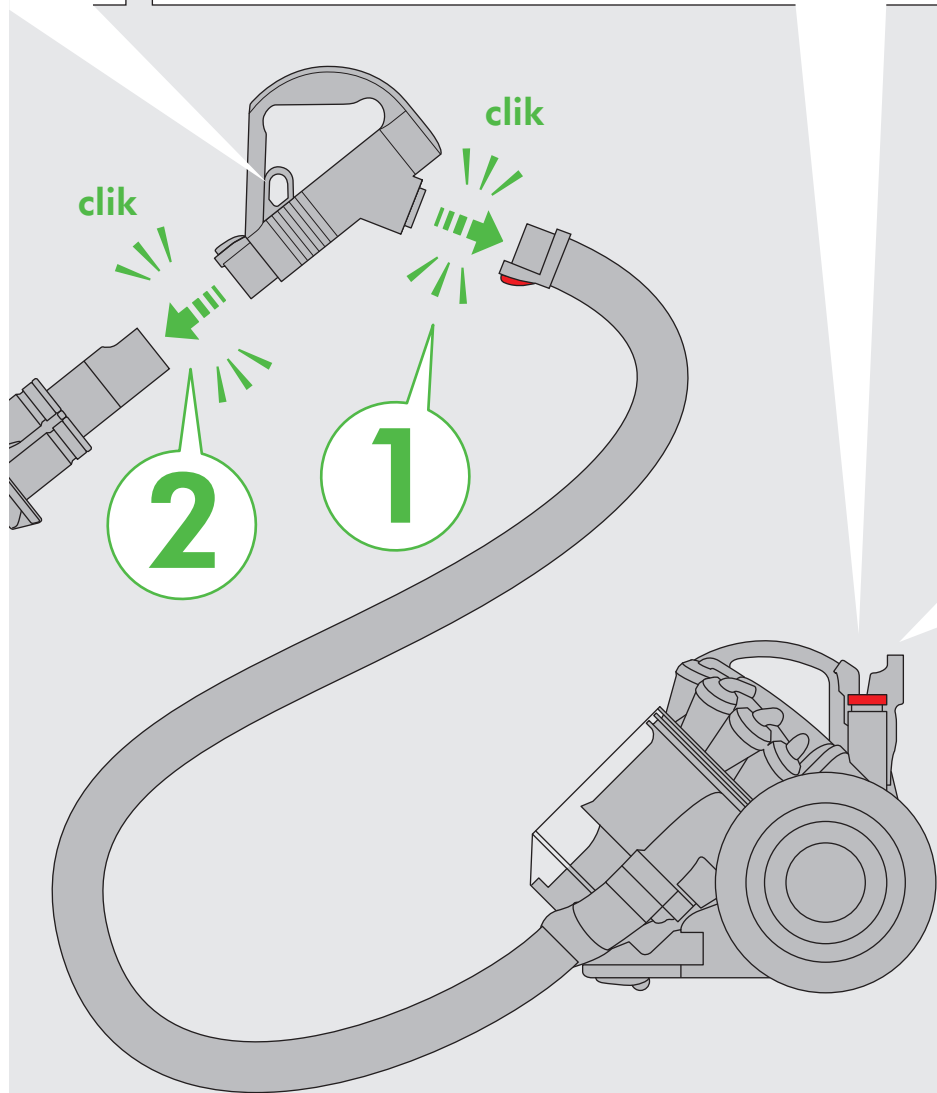
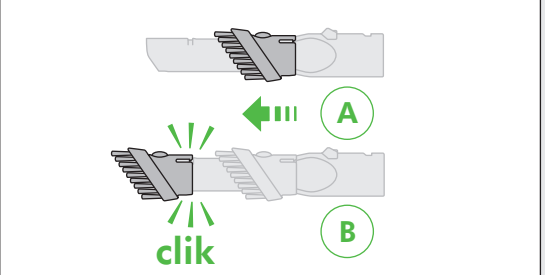
Storage • Almacenaje



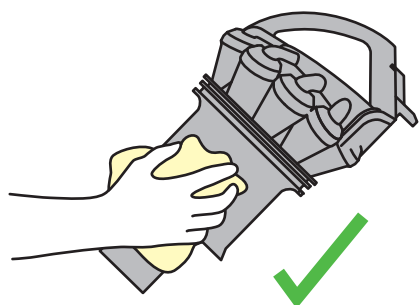
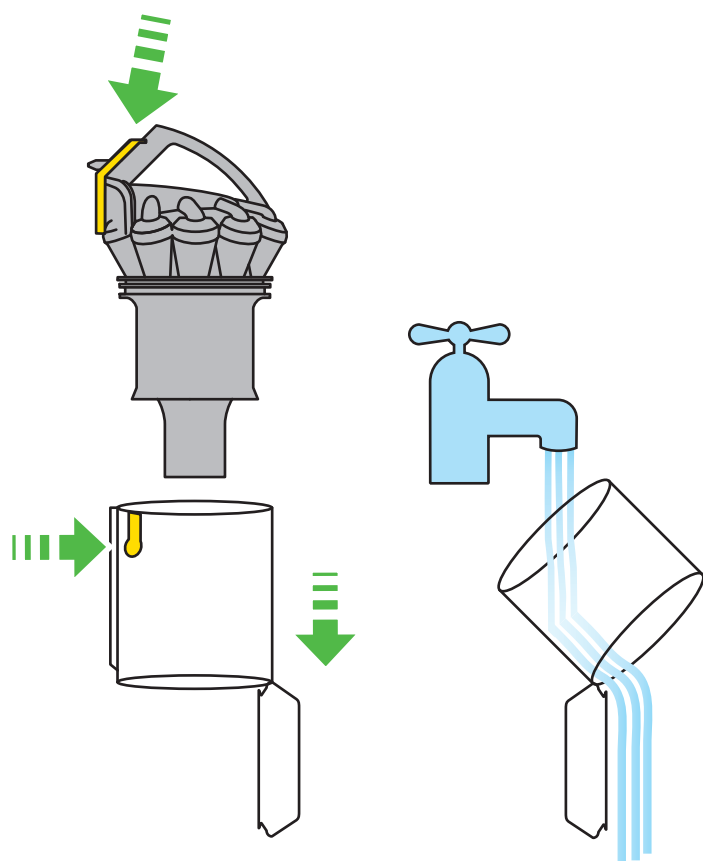
Emptying the clear bin • Cómo vaciar el compartimiento cubo transparente



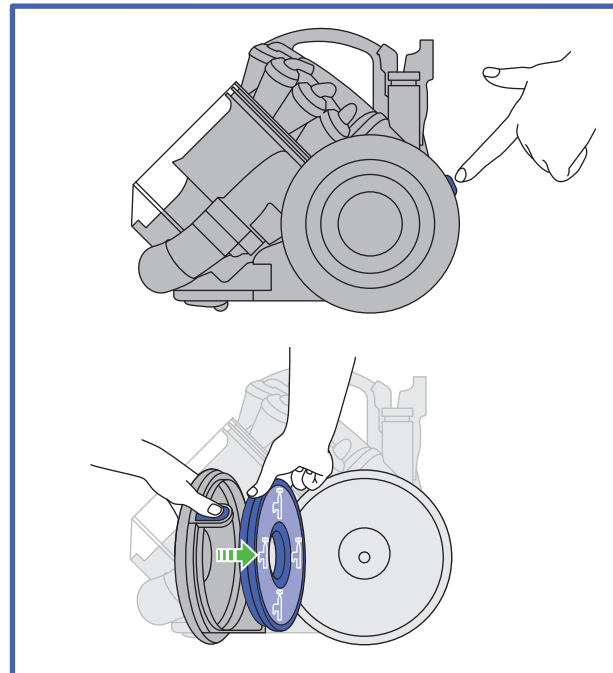
Tool attachments • Fijación de los accesorios



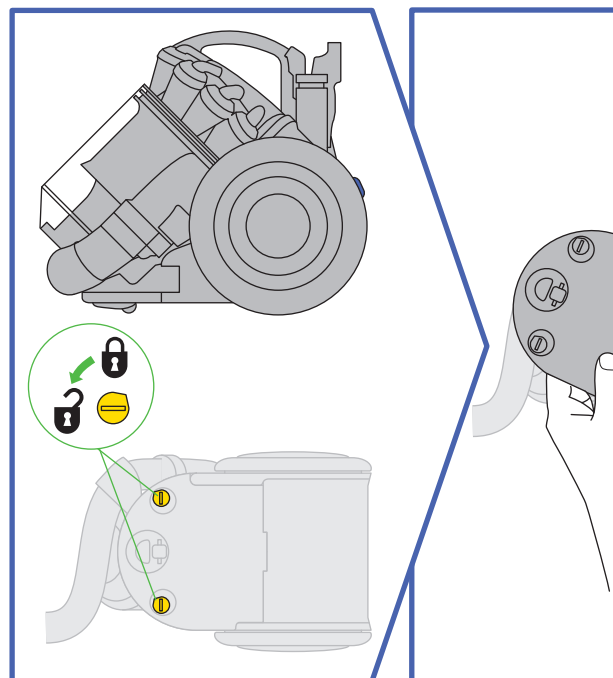
Cleaning the clear bin
 • Cómo limpiar el compartimento cubo transparente



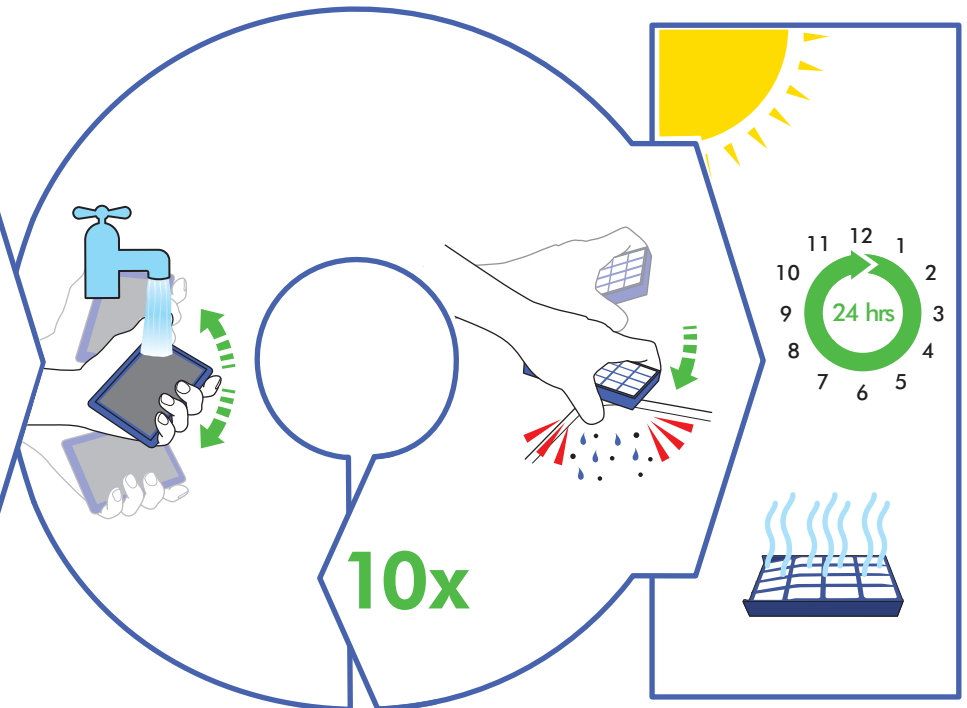
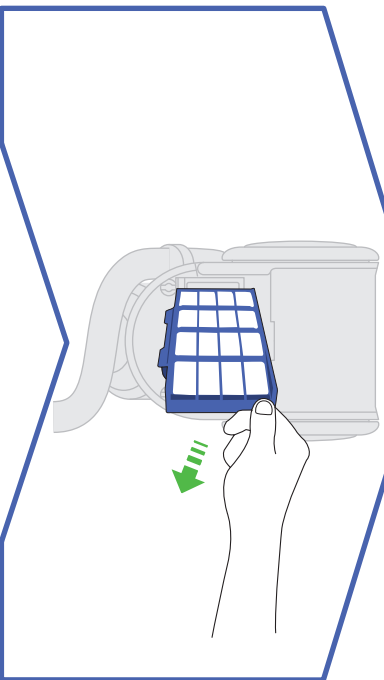
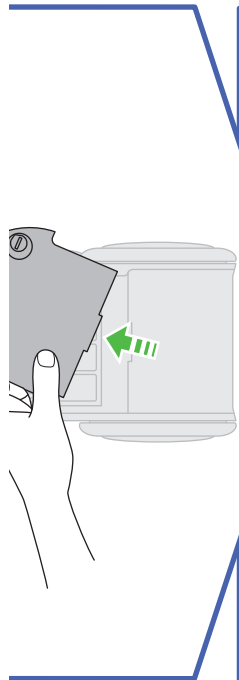
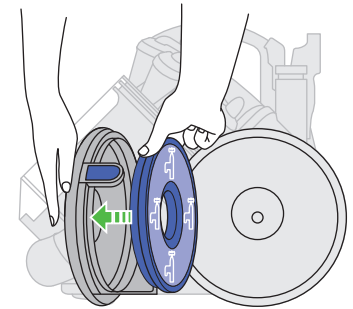
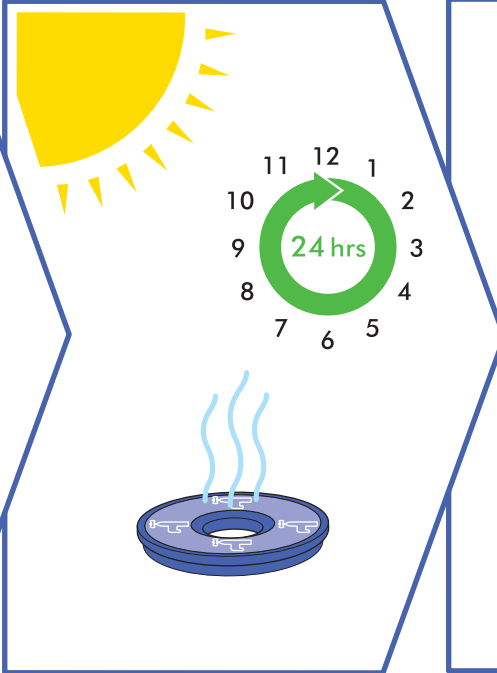
  **Filter • Filtre** **A**



  **Filter • Filtre** **B**



Wash filters with cold water at least every month.
 Lave los filtros con agua fría al menos cada mes.



Rinse and shake filter under tap. Turn over and tap very firmly to remove motor emissions. Repeat 10x or until water runs clear.

Enjuague y sacuda los filtro bajo el chorro de agua. Déle vuelta y dé golpes firmes para retirar las emisiones del motor. Repita 10 veces o hasta que el agua salga limpia.

USING YOUR DYSON VACUUM

⚠ CAUTION:

- Do not allow the vacuum to be used by anyone who may not be able to operate it safely.
- The use of an extension cord is not recommended.
- Always switch 'OFF' and unplug before performing maintenance on your vacuum.
- Ensure the cyclone is secured to the vacuum. Do not press the cyclone release button or shake the vacuum while carrying or it could fall and cause injury.
- Store the vacuum indoors. Put the vacuum away after use with the cord coiled safely, to prevent tripping hazards.
- Do not use outdoors or on wet surfaces or to vacuum water or other liquids – electric shock could occur.
- Do not lubricate any parts, or carry out any maintenance or repair work other than that shown in this manual, or advised by the Dyson Customer Care Helpline.

PLEASE NOTE:

- This vacuum is intended for household use only. Fine dust such as plaster dust or flour should only be vacuumed in very small amounts.
- Do not use the vacuum to pick up sharp hard objects, small toys, pins, paper clips, etc. They may damage the vacuum.
- If used in a garage, basement, or other debris-filled area, care should be taken to wipe the soleplate and wheels with a dry cloth after vacuuming to clean off any sand, dirt, or pebbles that could damage delicate floors.
- Consult your flooring manufacturer's recommended instructions before vacuuming and caring for your flooring, rugs, and carpet. Some carpets will fuzz if a rotating brush bar is used when vacuuming. If this happens, we recommend vacuuming with the brush bar switched off and consulting with your flooring manufacturer.
- When vacuuming, certain carpets may generate small static charges in the clear bin. These are entirely harmless and are not associated with the mains supply. To minimize any effect from this, do not put your hand or insert any object into the clear bin unless you have first emptied it and rinsed it out with cold water. (See 'Cleaning the clear bin' section.)
- Do not use or store this vacuum below 0°C (32°F). Ensure that the vacuum is at room temperature before operating.

TOOL ATTACHMENTS

⚠ CAUTION:

- Switch 'OFF' the vacuum before changing tools.
- Powerful suction can cause the hose to 'pull back' - please take care.
- Take extra care when vacuuming on stairs; do not work with the vacuum above you on the stairs. Do not put the vacuum on chairs, tables etc.

EMPTYING THE CLEAR BIN

⚠ CAUTION:

- Switch 'OFF' the vacuum and unplug before emptying the clear bin.
- Empty as soon as the dirt reaches the level of the MAX mark – do not overflow.
- To remove the clear bin from the vacuum, press the button at the rear of cyclone carrying handle. To release the dirt, press the red bin release button. Emptying into a bag is recommended for allergy sufferers.
- Do not use the vacuum without the clear bin in place.
- To minimize dust/allergen contact when emptying, encase the clear bin tightly in a plastic bag and empty. Remove the clear bin carefully and seal bag tightly, dispose as normal.

CLEANING THE CLEAR BIN

⚠ CAUTION:

- Do not immerse the whole cyclone in water or pour water into the cyclones.
- Ensure the clear bin is completely dry before replacing.

PLEASE NOTE:

- Do not use detergents, polishes or air fresheners to clean the clear bin.
- Do not put clear bin in a dishwasher.
- Clean the shroud with a cloth or dry brush to remove lint and dust.

WASHING YOUR FILTERS

DO THIS EVERY MONTH

⚠ CAUTION:

- Switch 'OFF' and unplug the vacuum before removing the filters.
- Ensure filters are completely dry before refitting to the vacuum.

PLEASE NOTE:

- This machine has two filters, located as shown. It is important to check your filters regularly and wash at least every month according to instructions, to maintain performance. Filter B should be rinsed and tapped out until the water runs clean, then tapped out again to ensure all excess water is removed. This will normally require up to 10 rinse cycles.
- After washing please leave for 24 hours to dry completely.
- The filters may require more frequent washing if vacuuming fine dust.
- Do not use detergents to clean the filters.
- Do not put the filters in a dishwasher, washing machine, tumble dryer, oven, microwave or near an open flame.

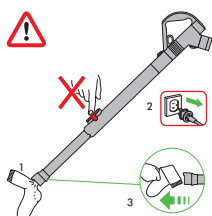
LOOKING FOR BLOCKAGES

⚠ CAUTION:

- Switch 'OFF' and unplug the vacuum before checking for blockages. Failure to do so could result in personal injury.
- Beware of sharp objects when clearing blockages.
- Refit all parts of the vacuum cleaner securely before using.

PLEASE NOTE:

- Clearing blockages is not covered by your vacuum's limited warranty. If any part of your vacuum becomes blocked, it may overheat and then automatically shut off. Unplug the vacuum and leave to cool down. Clear blockage before restarting.
- Large items may block the tools or wand inlet, if this happens switch the vacuum off and unplug the vacuum before removing the blockage. Do not operate the wand release catch.



CLEARING BRUSH BAR OBSTRUCTIONS

⚠ CAUTION:

- Switch 'OFF' and unplug the vacuum before clearing brush bar obstructions. Failure to do so could result in personal injury.
- Beware of sharp objects when clearing obstructions.
- Refit all parts of the vacuum securely before using.

PLEASE NOTE:

- Clearing brush bar obstructions is not covered by your vacuum's limited warranty.

DISPOSAL INFORMATION

Dyson products are made from high grade recyclable materials. Please dispose of this product responsibly and recycle where possible.

DYSON CUSTOMER CARE

THANK YOU FOR CHOOSING TO BUY A DYSON VACUUM

If you have a question about your Dyson vacuum, call the Dyson Helpline with your serial number and details of where and when you bought the cleaner, or contact us via the Dyson website. The serial number can be found on the main body of the vacuum behind the clear bin. Most questions can be solved over the phone or by email with one of our Dyson Helpline staff. If your vacuum cleaner needs service, call the Dyson Helpline so we can discuss the available options. If your vacuum is under warranty, and the repair is covered, it will be repaired at no cost.

DYSON HELPLINE

Dyson Helpline: 1-866-276-3886 toll free, 7 days a week.

PLEASE REGISTER AS A DYSON VACUUM OWNER

To help us ensure you receive prompt and efficient service, please register as a Dyson vacuum owner.

There are three ways to do this:

- Online at www.dyson.com
- By calling the Dyson Helpline: 1-866-276-3886.
- By completing and returning the attached Warranty Form to us by mail. This will confirm ownership of your Dyson vacuum in the event of an insurance loss, and enable us to contact you if necessary.

5 YEAR WARRANTY

TERMS AND CONDITIONS OF THE DYSON 5 YEAR LIMITED WARRANTY.

WHAT IS COVERED

Your Dyson vacuum is warranted against original defects in material and workmanship for a period of five years from the date of purchase, when used for private household purposes in accordance with the Operating Manual. This warranty provides, at no extra cost to you, all labor and parts necessary to ensure your vacuum is in proper operating condition during the warranty period. This limited warranty is subject to the following terms:

WHAT IS NOT COVERED

Dyson, Inc. shall not be liable for costs, damages or repairs incurred as a result of:

- Vacuums purchased from an unauthorized dealer.
- Clearing blockages from your vacuum.
- Carpet damage due to use not in accordance with flooring manufacturer's instructions or failure to turn brush bar off when necessary.
- Use of parts not in accordance with the Operating Manual.
- Careless operation or handling, misuse, abuse and/or lack of maintenance or use not in accordance with the Operating Manual.
- External sources such as weather.
- Repairs or alterations carried out by unauthorized parties or agents.
- Use of the vacuum other than for normal household purposes within the United States, e.g. for commercial or rental purposes.
- Normal wear and tear, including normal wearing parts such as clear bin, belt, filter, brush bar, hose assembly and power cord (or where external damage or abuse is diagnosed).
- Use of parts and accessories other than those produced or recommended by Dyson, Inc.

WARRANTY SERVICE

- Please fill out and return the Warranty Form, or register online at: www.dyson.com
- Before service can take place, the terms of the limited warranty require that you contact the Dyson Helpline with your model name/number, serial number, date and place of purchase. Please keep your purchase receipt in a safe place to ensure you have this information. The serial number is found on the vacuum's rating plate, which is behind the clear bin.
- All work will be carried out by Dyson, Inc. or its authorized agents.
- Any replaced defective parts will become the property of Dyson, Inc.
- Service under this warranty will not extend the period of this warranty.
- If your vacuum is not functioning properly, please call the Dyson Helpline at 1-866-276-3886. Most issues can be rectified over the telephone by our trained Customer Care staff. If this is not possible Dyson, Inc. will arrange for your vacuum to be repaired and returned in full working order at no extra cost to yourself.

WARRANTY LIMITATIONS AND EXCLUSIONS

- Any implied warranties relating to your vacuum, including but not limited to warranty of merchantability or warranty of fitness for a particular purpose, are limited to the duration of this warranty. This limitation is not allowed by some States and so this limitation may not apply to you.
- Your remedy for breach of this warranty is limited to the warranty service described above. Dyson, Inc. will not be liable for any consequential damages or incidental damages you may incur in connection with your purchase and use of your vacuum. This limitation is not allowed by some States and so this limitation may not apply to you.
- This limited warranty gives you specific legal rights. You may also have other rights which vary by State.
- This limited warranty is not transferable.

IMPORTANT DATA PROTECTION INFORMATION

Your details will be held by Dyson, Inc. or others on behalf of Dyson, Inc. so that we can assist you more quickly in our Customer Service department. From time to time, Dyson, Inc. or one of its partners may send you special offers and news of our latest innovations. Check the box on the Warranty Form within the Operating Manual if you do not wish to receive marketing or promotional information from Dyson, Inc. For more information about our data collection practices, please refer to the Dyson, Inc privacy policy at www.dyson.com/privacy

PRODUCT INFORMATION

Net weight: 12.10lbs (5.48kg).

Please note: Small details may vary from those shown.

COMO UTILIZAR SU ASPIRADORA DYSON

⚠️ ADVERTENCIA:

- No permita que la aspiradora sea usada por alguien que no esté capacitado para operarla de manera segura.
- No es recomendable utilizar una extensión de cable.
- Siempre apague y desconecte la aspiradora antes de realizar cualquier tipo de mantenimiento.
- Asegúrese de que el extractor de polvo esté bien conectado a la aspiradora. No presione el botón para soltar el extractor si sacuda la aspiradora mientras la transporta porque podría caerse y dañarse.
- Guarde la aspiradora bajo techo. Luego de utilizarla, guarde la aspiradora con el cable debidamente enrollado para evitar posibles tropezones.
- No utilice el aparato al aire libre ni sobre superficies húmedas o para aspirar agua u otros líquidos, ya que podría recibir un choque eléctrico.
- No lubrique ninguna parte del aparato ni intente repararlo o realizar cualquier otro tipo de mantenimiento que no se encuentre en este manual o que no haya sido indicado por la línea de ayuda de Dyson.

RECUERDE:

- Esta aspiradora es para uso doméstico solamente.
- No utilice la aspiradora para recoger objetos duros cortantes, juguetes pequeños, alfileres, sujetapapeles, etc., ya que podrían dañar la aspiradora.
- Si se utiliza en una cochera, sótano o en cualquier otra área llena de desechos, se debe tener cuidado de limpiar la base y las ruedas con un paño seco después de aspirar a fin de limpiar la arena, suciedad o piedritas que pudieran dañar los pisos delicados.
- Consulte las instrucciones recomendadas por el fabricante de su piso antes de aspirar y cuidar sus pisos, y alfombras. Algunas alfombras formarán pelusa si utiliza el cepillo rotatorio mientras aspira. Si esto sucede, recomendamos aspirar en el modo de pisos expuestos y consultar con el fabricante de su piso.
- Al aspirar, algunas alfombras pueden generar pequeñas descargas de estática en el compartimiento cubo transparente. Estas son totalmente inofensivas y no están asociadas al suministro de corriente eléctrica. Para minimizar sus efectos, no coloque su mano ni introduzca ningún objeto en el compartimiento cubo transparente a menos que primero lo haya vaciado y lavado con agua fría (consulte la sección "Cómo limpiar el compartimiento cubo transparente").
- No use o guarde esta máquina en un lugar con temperatura por debajo de 32°F (0°C). Antes de operar la máquina asegúrese de que está a temperatura ambiente.

FIJACIÓN DE LOS ACCESORIOS

⚠️ ADVERTENCIA:

- Apague la aspiradora antes de cambiar las herramientas.
- Si el aparato aspira a máxima potencia, la manguera puede retraerse. Tenga mucho cuidado.
- Tenga mucho cuidado cuando utilice la aspiradora sobre una escalera y no la coloque encima de usted. No suba la aspiradora a sillas, mesas, etc.

CÓMO VACIAR EL COMPARTIMIENTO CUBO TRANSPARENTE

⚠️ ADVERTENCIA:

- Apague la aspiradora y desconéctela ("OFF") antes de vaciar el compartimiento cubo transparente.
- Vacíe el compartimiento cuando la basura llegue al nivel máximo. Evite sobrecargarlo.
- Para quitar el cubo transparente de la aspiradora, presione el botón en la parte posterior de la manija que lleva el ciclón. Para liberar la suciedad, presione el botón rojo en el cubo transparente. Se recomienda a quienes sufren de alergias que vacíen el contenido en una bolsa.
- No utilice la aspiradora si el compartimiento cubo transparente no está colocado.
- Para minimizar el contacto con el polvo y los alérgicos cuando se realice el vaciado, recubra ajustadamente con una bolsa plástica el clear bin y vacíe. Retire cuidadosamente el clear bin y selle la bolsa de manera ajustada, deséchela como lo hace normalmente.

CÓMO LIMPIAR EL COMPARTIMIENTO CUBO TRANSPARENTE

⚠️ ADVERTENCIA:

- No sumerja totalmente el extractor de polvo en agua ni ponga agua dentro de éste.
- Asegúrese de que el compartimiento esté totalmente seco antes de colocarlo.

RECUERDE:

- No utilice detergente, líquido para encerar ni desodorante de ambientes para limpiar el compartimiento cubo transparente.
- No limpie el compartimiento cubo transparente en un lavavajillas.
- Limpie la cubierta con un paño o cepillo seco para remover el polvo y la pelusa.

CÓMO LAVAR LOS FILTROS

HAGA ESTO CADA MES

⚠️ ADVERTENCIA:

- Apague la aspiradora y desconéctela antes de quitar los filtros.
- Asegúrese de que los filtros estén totalmente secos antes de volver a colocarlos en la aspiradora.

RECUERDE:

- Esta aspiradora tiene dos filtros, ubicados como se muestra en las ilustraciones. Es importante revisar los filtros con regularidad y lavarlos al menos cada mes de acuerdo con las instrucciones, para mantener el funcionamiento del aparato. Filtro B debe ser enjuagado y golpeado a cabo hasta que el agua salga limpia, a continuación, golpeado de nuevo para asegurarse que se elimina el exceso de agua. Esto requerirá normalmente hasta 10 ciclos de enjuague.
- Después de lavarlos, déjelos secar por completo durante 24 horas.
- Si se aspira polvo fino, será necesario lavar los filtros con mayor frecuencia.
- No use detergentes para limpiar los filtros.
- No coloque los filtros en el lavavajillas, el lavadora, la secadora, el horno, el microondas o cerca del fuego.

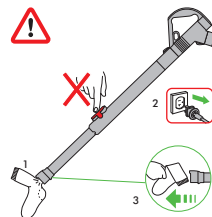
CÓMO BUSCAR OBSTRUCCIONES

⚠️ ADVERTENCIA:

- Apague la aspiradora y desconéctela antes de buscar obstrucciones. Si no lo hace, podría sufrir lesiones.
- Tenga cuidado al utilizar objetos filosos para sacar las obstrucciones.
- Coloque todas las partes de la aspiradora correctamente antes de utilizarla.

RECUERDE:

- Su garantía limitada no cubre la eliminación de obstrucciones. Este aparato posee un sistema de desconexión térmica. Si cualquier pieza de su máquina se obstruye, es posible que se sobrecaliente y se apague de forma automática. Desenchufe la máquina y permita que se enfríe. Elimine la obstrucción antes de volver a encender la máquina. Los objetos grandes pueden obstruir la entrada para accesorios o la empuñadura; si se diera el caso, apague la aspiradora y desenchúfela antes de eliminar la obstrucción. No toque el enganche para soltar la empuñadura.



CÓMO LIBERAR LAS OBSTRUCCIONES DEL CEPILLO

⚠️ ADVERTENCIA:

- Apague la aspiradora y desconéctela antes de buscar obstrucciones. Si no lo hace, podría sufrir lesiones.
- Tenga cuidado al utilizar objetos filosos para sacar las obstrucciones.
- Coloque todas las partes de la aspiradora correctamente antes de utilizarla.

RECUERDE:

- Su garantía limitada no cubre la eliminación de obstrucciones.

INFORMACION DE DESECHO

Productos Dyson están hechos de materiales reciclables de alta calidad. Por favor, deseché este producto de manera responsable y reciclar en lo posible.

SERVICIO DE ATENCIÓN AL CLIENTE DYSON

GRACIAS POR ELEGIR COMPRAR UNA ASPIRADORA DYSON

Si tiene alguna duda acerca de su aspiradora Dyson, llame a la línea de ayuda de Dysonal 1-866-276-3886 con el número de serie e información de cuándo y dónde compró el producto. Encontrará el número de serie en la placa de datos de calificación que se encuentra detrás del compartimiento cubo transparente. Si tiene más preguntas, puede consultar por teléfono a algún miembro de la línea de ayuda. Si su aspiradora necesita reparación llame a la Línea de ayuda de Dyson para poder analizar las opciones disponibles. Si su aspiradora tiene garantía y la reparación necesaria está incluida dentro de esa garantía, se reparará sin costo alguno.

LÍNEA DIRECTA DE ASISTENCIA AL CLIENTE DE DYSON

Llame al 1-866-276-3886, gratis, los 7 días de la semana.

POR FAVOR REGÍSTRESE COMO PROPIETARIO DE UNA ASPIRADORA DYSON

Para ayudarnos a asegurarle que reciba un servicio rápido y eficaz, por favor regístrese como propietario de una aspiradora Dyson. Hay dos maneras de hacerlo:

- En línea en www.dyson.com
- Llamando gratis a la línea de ayuda de Dyson: 1-866-276-3886.
- Completando y enviándonos por correo el formulario que se adjunta. Esto confirmará que la aspiradora Dyson es de su propiedad en caso de que ocurra una pérdida cubierta por el seguro, y nos permitirá contactarle si fuese necesario.

5 AÑOS DE GARANTÍA

TÉRMINOS Y CONDICIONES DE LA GARANTÍA LIMITADA DE 5 AÑOS DE DYSON.

QUÉ NO ESTÁ CUBIERTO

Dyson, Inc. no será responsable de los costos incurridos como resultado de:

- Aspiradoras compradas a proveedores no autorizados.
- Eliminar obstrucciones de su máquina.
- Daño a la alfombra debido al uso no de acuerdo con las instrucciones del fabricante dado al caso de no apagar el cepillo cuando es necesario.
- El uso de piezas que no estén contempladas en el Manual de Instrucciones.
- El funcionamiento o manejo descuidado, uso indebido y/o falta de mantenimiento o el uso de forma contraria al Manual de Instrucciones.
- Factores externos, como por ejemplo el clima.
- Reparaciones o alteraciones llevadas a cabo por partes o agentes no autorizados.
- El uso de la aspiradora contrario a los usos domésticos normales dentro de los Estados Unidos de América, por ejemplo, para el uso comercial o alquiler.
- Uso y desgaste normal, incluido desgaste normal de partes como cubo transparente, banda, filtro, cepillo, ensamble de la manguera, y cable de corriente (o donde se diagnostique daño o abuso externo).
- El uso de piezas y accesorios que no sean los producidos o recomendados por Dyson, Inc.

SERVICIO DE GARANTÍA

- Por favor complete y devuelva el Formulario de registro del producto, o regístrese en línea en www.dyson.com
- Antes de poder realizar el servicio, los términos de la garantía exigen que se ponga contacto con la Línea Directa de Asistencia al Cliente de Dyson y que proporcione el nombre/número del modelo, número de serie, y la fecha y sitio de compra. Por favor mantenga la factura de compra en un sitio seguro para asegurarse de tener esta información. El número de serie se encuentra en la placa de calificación de la aspiradora, que se encuentra en el cuerpo principal de la máquina, detrás del cubo transparente.
- Todo el trabajo lo llevará a cabo Dyson, Inc. o sus agentes autorizados.
- El cambio de cualquier pieza defectuosa no extenderá el período de la misma.
- El servicio según esta garantía no extenderá el período de esta garantía.
- Si su aspiradora no funciona correctamente, por favor llame a la Línea Directa de Asistencia al Cliente de Dyson por el 1-866-276-3886. La mayoría de los problemas pueden solucionarse por teléfono a través de nuestro personal capacitado en atención al cliente. Si esto no es posible, Dyson, Inc. hará que se repare y se le devuelva su aspiradora en perfectas condiciones sin costo adicional para usted.

LIMITACIONES Y EXCLUSIONES DE LA GARANTÍA

- Cualquier garantía implícita relacionada con su aspiradora, incluyendo pero sin limitarse a una garantía de comerciabilidad o garantía de idoneidad para un propósito en particular, se limita a la duración de esta garantía. Esta limitación no está permitida por algunos estados, por lo que esta limitación puede no aplicarse a usted.
- El recurso por el incumplimiento de esta garantía se limita al servicio de garantía descrito anteriormente. Dyson, Inc. no será responsable de ningún daño consecuente o incidental en el que se pueda incurrir en conexión con la compra y uso de su aspiradora. Esta limitación no está permitida por algunos estados, por lo que esta limitación puede no aplicarse a usted.
- Esta garantía limitada le otorga derechos legales específicos. Usted podría también tener otros derechos los cuales varían de acuerdo al estado.
- Esta garantía le otorga derechos legales específicos.

INFORMACIÓN IMPORTANTE PARA LA PROTECCIÓN DE DATOS

Sus detalles estarán en poder de Dyson, Inc. u otras personas que representen a Dyson, Inc. para que así nuestro departamento de Servicio al Cliente pueda ayudarlo de forma más rápida. De vez en cuando, Dyson, Inc. o uno de sus asociados puede enviarle ofertas especiales y noticias acerca de nuestras últimas innovaciones. Marque la casilla en el Formulario de Garantía que se encuentra dentro del Manual de Funcionamiento si no desea recibir marketing o información promocional de Dyson, Inc. Para obtener más información acerca de nuestras prácticas de recopilación de datos, consulte la política de privacidad de Dyson, Inc en www.dyson.com/privacy

INFORMACION ACERCA DEL PRODUCTO

Peso neto: 12.10lbs (5.48kg).

Recuerde: El producto puede diferir en algunos pequeños detalles en comparación con las ilustraciones.

IMPORTANT!

WASH FILTERS LAVADO DE FILTROS



Wash filters with cold water at least every month.
Lave los filtros con agua fría al menos cada mes.



Dyson Customer Care

If you have a question about your Dyson vacuum, call the Dyson Helpline with your serial number and details of where and when you bought the vacuum, or contact us via the Dyson website. The serial number can be found on the main body of the vacuum behind the clear bin.

Servicio de atención al cliente Dyson

Si tiene preguntas sobre su aspiradora Dyson, llame a la línea de ayuda Dyson con su número de serie y los detalles de dónde y cuándo compró su aspiradora, o comuníquese con nosotros por medio del sitio en Internet de Dyson. El número de serie se encuentra en la base principal de su aspiradora detrás del cubo transparente.

Dyson Customer Care
1-866-276-3886
Toll free, 7 days a week

Servicio de atención al cliente Dyson
1-866-276-3886
Llamada gratuita, 7 días a la semana

Please take a few moments to answer our questions.
They will help us develop new products for the future.

Tómese unos instantes para responder a nuestras preguntas.
Esto nos ayudará a desarrollar nuevos productos en el futuro.

1. Why did you decide to buy a Dyson vacuum?

- Cleaning performance
- Advanced Technology/ Features
- Style / Design
- Warranty
- Recommendation
- Promotion
- No loss of suction
- Asthma and allergy certification
- HEPA filter

2. Do you own pets?

- Cat / Dog
- None
- Other

3. Would you like to hear about future asthma and allergy related initiatives or product development at Dyson?

- Yes
- No

1. ¿Por qué decidió comprar una aspiradora Dyson?

- Capacidad de limpieza
- Tecnología avanzada / Funciones
- Estilo / Diseño
- Garantía
- Recomendación
- Promoción
- No pierde succión
- Certificación para asma y alergia
- Filtro HEPA

2. Do you own pets?

- Gato / Perro
- Ninguna
- Otra

3. ¿Le gustaría saber sobre el desarrollo de productos o las futuras iniciativas en cuanto a asma y alergia en Dyson?

- Sí
- No

THANK YOU FOR YOUR TIME • GRACIAS POR DEDICARNOS SU TIEMPO





WARRANTY FORM • FORMULARIO DE GARANTÍA

Date of purchase | Fecha de compra / /

Place of purchase | Lugar de la compra

Serial number | Número de série

Title | Tratamiento

Last name | Apellido

First name | Apellido

Address | Dirección

Zip Code | Código postal

e-mail | e-mail

Telephone | Teléfono

From time to time, we'd like to tell you about new Dyson technology and services or get your opinion about your purchase. If you'd prefer us NOT to keep in touch and to ask you questions about your purchase, please tick this box.

De vez en cuando, querríamos decirle acerca de la nueva tecnología de Dyson y servicios o conseguir su opinión acerca de su compra. Si usted prefiere que NADIE de nuestra empresa lo contacte y le haga preguntas respecto a su compra, favor de marcar esta casilla.

3 EASY WAYS TO REGISTER | 3 MANERAS FÁCILES DE REGISTRARSE

ONLINE

Convenient and instant.
www.dyson.com/register



EN LÍNEA

Conveniente y al instante.
www.dyson.com/register

PHONE

Just call our Helpline on
1-866-276-3886. It's open
from 7am – 9pm Monday to
Friday, 9am – 6pm Saturday
and Sunday CST.



POR TELÉFONO

El horario es de lunes a viernes de
7 am a 9 pm, sábados y domingos de
7 am a 6 pm hora oficial del centro.
1-866-276-3886.

MAIL

Complete and return
the form in the envelope
supplied.



POR CORREO

Complete este formulario y
envíelo.



Free Manuals Download Website

<http://myh66.com>

<http://usermanuals.us>

<http://www.somanuals.com>

<http://www.4manuals.cc>

<http://www.manual-lib.com>

<http://www.404manual.com>

<http://www.luxmanual.com>

<http://aubethermostatmanual.com>

Golf course search by state

<http://golfingnear.com>

Email search by domain

<http://emailbydomain.com>

Auto manuals search

<http://auto.somanuals.com>

TV manuals search

<http://tv.somanuals.com>