



SPECIFICATIONS FR153z

FEATURES

- Entry-level access to truly professional loudspeaker systems
- Three-way design improves overall performance 15-in woofer, 6.5-in mid cone, 1-in HF on Wave Guide Plate™
- Handles, threaded mounting points, rubber footpads and pole mount cup standard
- Works with FR250z subwoofer/pole mount base to create instant PA

DESCRIPTION

A three-way full range system (passive LF/MF/HF crossover) in a compact vented trapezoidal enclosure. It includes a 15-in woofer, a 6.5-in midrange cone in a sealed, internal subenclosure and a 1-in exit/2-in voice coil compression driver mounted on a 100° (conical) Wave Guide Plate™ (WGP™). Designed primarily for portable applications, the FR153z offers entry-level access to high quality, truly professional loudspeaker systems for musicians and DJ's servicing small to medium venues.

True three-way asks each transducer to operate only in its optimum passband for superior overall response. By handling the majority of the vocal range within a dedicated midrange subsystem, true three-way design provides increased intelligibility for more natural sounding vocals.

The system's full range passive powering is accomplished via EAW's internal passive crossover/filter network. This complex design goes beyond merely dividing the signal by performing critical equalization functions.

APPLICATIONS

The FR153z provides high output full range response in a versatile, compact system. Effective for both permanent and portable applications, it comes with handles, rubber footpads, a pole mount cup and three (3) 3/8"-16 threaded mounting/suspension points.

The FR153z is optimized for use with the FR250z dual 15-in subwoofer system which also serves as a pole mount base. In such a configuration, a standard 5-ft mounting pole positions the FR153z's HF subsystem above the heads of audience members for maximum coverage. Six Year Warranty.

Application include:

- Band PA
- Ballroom Events
- Small HOW's
- Dance Clubs
- Live Music Clubs



PERFORMANCE

Frequency Response (1 W @ 1m)

±3 dB	60 Hz to 18 kHz
-10 dB	48 Hz

Axial Sensitivity (dB SPL, 1 Watt @ 1m)

Full Range	97
------------	----

Impedance (Ohms)

Full Range	8
------------	---

Power Handling, AES Standard (Watts)

Full Range	500
------------	-----

Calculated Maximum Output (dB SPL)

Full Range Peak	130.0
Full Range Long Term	124.0

Nominal Coverage Angle, -6 dB Points (degrees)

Conical	100
---------	-----

Recommended High-Pass Frequency

24 dB/Octave	40
--------------	----

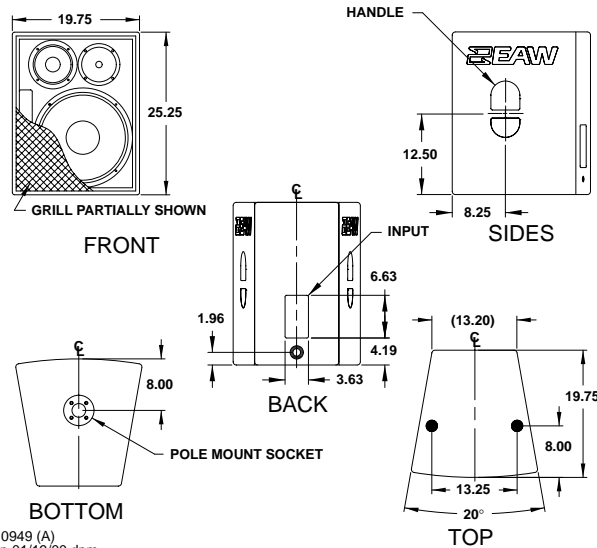




SPECIFICATIONS FR153z

DIMENSIONAL DRAWING

FR153z ○ INDICATES MOUNTING POINT, 3/8-16 THREADED HOLE (RIVNUT).
● INDICATES MOUNTING POINT, 3/8-16 THREADED HOLE (NUT PLATE).



PHYSICAL

Configuration	3-way, full range
Powering	Passive (LF/MF/HF crossover)
LF Subsystem	15-in woofer, vented
MF Subsystem	6.5-in cone, sealed subenclosure
HF Subsystem	1-in exit/2-in voice coil compression driver on Wave Guide Plate™
Cabinet Type (shape)	Trapezoidal
Enclosure Materials	Baltic birch plywood
Finish	Black polyurethane
Connectors	2 x Neutrik NL4 Speakon
Suspension Hardware	(3) 3/8-16 threaded mounting points (2 top, 1 back), pole mount cup
Grille	Powder coated perforated steel

Dimensions	Inches		Millimeters	
	Height	25.25	641	
Width (front)	19.75	502		
Width (rear)	13.08	332		
Depth	19.75	502		
Trapezoid Angle	10° Per Side			
Weights	Pounds		Kilograms	
	Net Weight	75	34.1	
Shipping Weight	79	35.9		
Companion Systems				
Sub Bass	FR250z			

A & E SPECIFICATIONS

The three-way full range loudspeaker systems shall incorporate a 15-in LF transducer, a 6.5-in cone MF transducer and 1-in exit/2-in voice coil compression driver HF transducer.

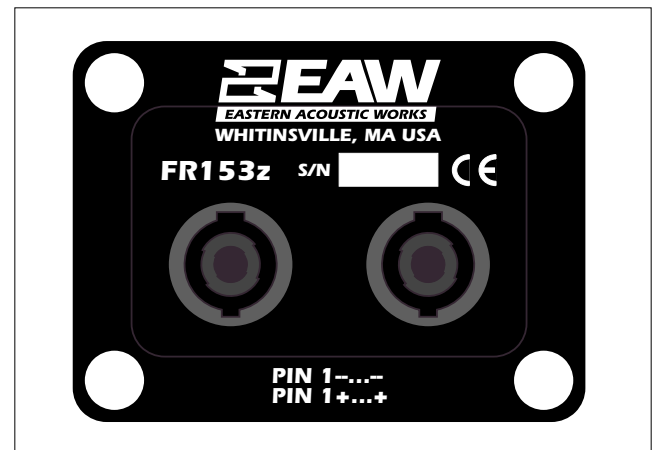
The LF driver shall be mounted in a vented enclosure tuned for optimum low frequency response. The MF driver shall be mounted in a sealed subenclosure. The HF driver shall be loaded on an axis-symmetrical wave guide plate with a nominal coverage pattern of 100° (conical). An internal passive filter network shall provide fourth order acoustical crossover and system equalization.

System frequency response shall vary no more than ± 3 dB from 60 Hz to 18 kHz measured on axis. The loudspeaker shall produce a Sound Pressure Level (SPL) of 97 dB SPL on axis at 1 meter with a power input of 1 Watt, and shall be capable of producing a peak output of 130 SPL on axis at 1 meter. The loudspeaker shall handle 500 Watts of amplifier power (AES Standard) and shall have a nominal impedance of 8 Ohms.

The loudspeaker enclosure shall be trapezoidal in shape. It shall be constructed of 1/2-in thickness void-free cross-grain-laminated Baltic birch plywood and shall be finished in black polyurethane. Recessed handles and rubber footpads shall be provided. Input connectors shall be dual Neutrik NL4 Speakon. Three 3/8"-16 threaded mounting points (2 top, 1 back) shall be provided as well as a recessed cup to accept a standmount pole. The front of the loudspeaker shall be covered with a powder coated perforated steel grille.

The three-way full range loudspeaker shall be the EAW model FR153z.

INPUT PLATE



Free Manuals Download Website

<http://myh66.com>

<http://usermanuals.us>

<http://www.somanuals.com>

<http://www.4manuals.cc>

<http://www.manual-lib.com>

<http://www.404manual.com>

<http://www.luxmanual.com>

<http://aubethermostatmanual.com>

Golf course search by state

<http://golfingnear.com>

Email search by domain

<http://emailbydomain.com>

Auto manuals search

<http://auto.somanuals.com>

TV manuals search

<http://tv.somanuals.com>