



TECHNICAL SPECIFICATIONS FR159z

FEATURES

- Entry-level access to truly professional loudspeaker systems
- 15-in woofer in optimally vented enclosure, 1-in HF on 90° horn
- Handles, rubber footpads, threaded mounting points and pole mount cup standard
- Works with SB250z subwoofer/pole mount base to create an instant PA

DESCRIPTION

A 2-way full range system (passive LF/HF crossover) in a compact vented trapezoidal enclosure. It includes a 15-in woofer and a 1-in exit/50mm voice coil compression driver mounted on a 90 x 45 constant directivity horn. Designed primarily for portable applications, the FR159z offers entry-level access to high quality, truly professional loudspeaker systems for musicians and DJ's servicing small to medium venues.

The system's full range passive powering is accomplished via EAW's internal passive crossover/filter network. This complex design goes beyond merely dividing the signal by performing critical equalization functions.

APPLICATIONS

The FR159ze provides high output full range response in a versatile, compact system. Effective for both permanent and portable applications, it comes with handles, rubber footpads, a pole mount cup and three (3) 3/8"-16 threaded mounting/suspension points.

The FR159z is optimized for use with the FR250z dual 15-in subwoofer system which also serves as a pole mount base. In such a configuration, a standard 5-ft mounting pole positions the FR159z's HF horn above the heads of audience members for maximum coverage. Six Year Warranty.

Application include:

- Band PA
- Ballroom Events
- Small HOW's
- Dance Clubs
- Live Music Clubs



DESCRIPTIVE DATA

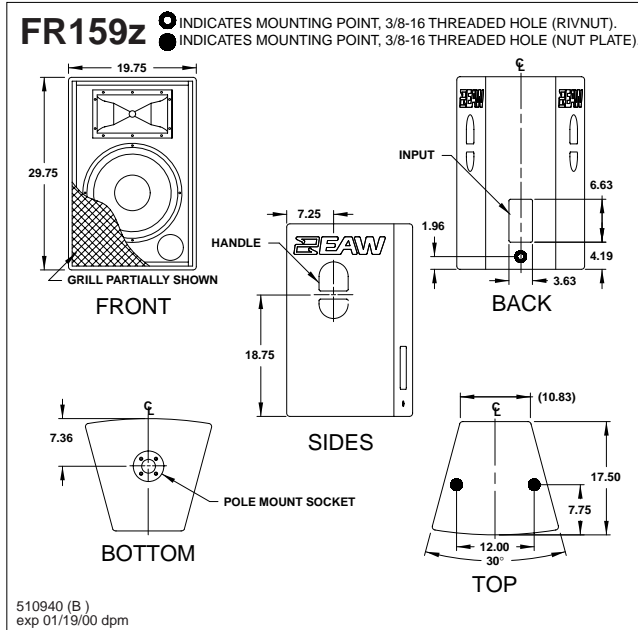
Configuration	2-way, Full Range	
Powering	Passive LF/HF Crossover	
LF Subsystem	1x15-in Woofer, Vented	
HF Subsystem	1x 1-in Exit/50mm Voice Coil Compression Driver on Constant Directivity Horn	
Cabinet Type (shape)	Trapezoidal	
Enclosure Materials	Baltic Birch Plywood	
Finish	Black Polyurethane	
Connectors	2 x Neutrik NL4 Speakon	
Suspension Hardware	(3) 3/8-16 Threaded Mounting Points (2 top, 1 back), Pole Mount Cup	
Grill	Powder Coated Perforated Steel	
Dimensions	inches	millimeters
Height	29.75	756
Width (front)	19.75	502
Width (rear)	10.83	275
Depth	16.91	430
Trapezoid Angle	15° Per Side	
Weights	pounds	kilograms
Net Weight	71	32.3
Shipping Weight	75	34.1
Companion Systems		
Sub Bass	FR250z	





TECHNICAL SPECIFICATIONS FR159z

DIMENSIONAL DRAWING



NOMINAL DATA

Frequency Response (1 W @ 1m)	
±3 dB	65 Hz to 16 kHz
-10 dB	48 Hz
Axial Sensitivity (dB SPL, 1 Watt @ 1m)	
Full Range	100
Impedance (Ohms)	
Full Range	8
Power Handling, AES Standard (Watts)	
Full Range	500
Calculated Maximum Output (dB SPL)	
Full Range Peak	133.0
Full Range Long Term	127.0
Nominal Coverage Angle/-6 dB points (degrees)	
Horizontal	90
Vertical	45
Recommended High-Pass Frequency	
24 dB/Octave	45

ARCHITECTURAL SPECIFICATIONS

The two-way full range loudspeaker systems shall incorporate a 15-in LF transducer and a 1-in exit/50mm voice coil compression driver HF transducer.

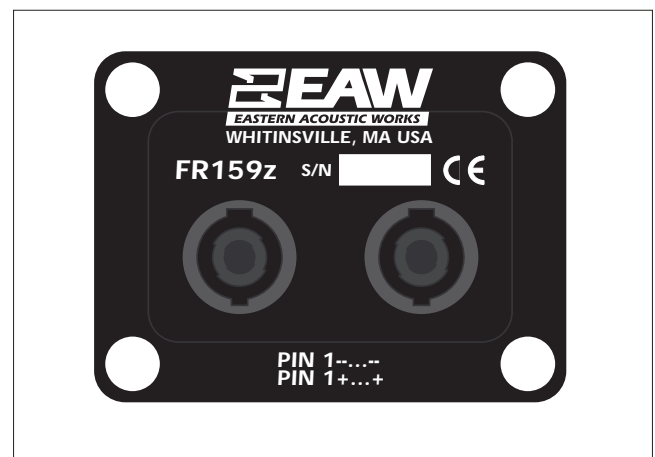
The LF driver shall be mounted in a vented enclosure tuned for optimum low frequency response. The HF driver shall be loaded on constant directivity horn with a nominal coverage pattern of 90° (h) x 45° (v). An internal passive filter network shall provide fourth order acoustical crossover and system equalization.

System frequency response shall vary no more than ±3 dB from 65 Hz to 16 kHz measured on axis. The loudspeaker shall produce a Sound Pressure Level (SPL) of 100 dB SPL on axis at 1 meter with a power input of 1 Watt, and shall be capable of producing a peak output of 133 SPL on axis at 1 meter. The loudspeaker shall handle 500 Watts of amplifier power (AES Standard) and shall have a nominal impedance of 8 Ohms.

The loudspeaker enclosure shall be trapezoidal in shape. It shall be constructed of 15mm thickness void-free cross-grain-laminated Baltic birch plywood and shall be finished in black polyurethane. Recessed handles and rubber footpads shall be provided. Input connectors shall be dual Neutrik NL4 Speakon. Three 3/8"-16 threaded mounting points (2 top, 1 back) shall be provided as well as a recessed cup to accept a standmount pole. The front of the loudspeaker shall be covered with a powder coated perforated steel grill backed.

The two-way full range loudspeaker shall be the EAW model FR159z.

INPUT PLATE



Free Manuals Download Website

<http://myh66.com>

<http://usermanuals.us>

<http://www.somanuals.com>

<http://www.4manuals.cc>

<http://www.manual-lib.com>

<http://www.404manual.com>

<http://www.luxmanual.com>

<http://aubethermostatmanual.com>

Golf course search by state

<http://golfingnear.com>

Email search by domain

<http://emailbydomain.com>

Auto manuals search

<http://auto.somanuals.com>

TV manuals search

<http://tv.somanuals.com>