



SPECIFICATIONS LA128z

DESCRIPTION

A dedicated subwoofer with 2x 18-in transducers in a vented trapezoidal enclosure.

APPLICATION

The LA128z subwoofer is engineered to complement the LA Series full range systems. Recessed cups on the top accept the footpads of an LA325 or another LA sub. For maximum LF extension, use properly configured MX Series processors. Optional caster pallet. Six year warranty.

Applications include:

- Ballroom Events
- Corporate Events
- Band PA

PERFORMANCE

Frequency Response (Hz)	
±3 db	31 Hz (40 Hz w/out CCEP) to 200 Hz
-10 db	25 Hz (27 Hz w/out CCEP)
Axial Sensitivity (dB SPL/1 Watt/1m)	
	98
Impedance (Ohms)	
	4
Power Handling (Watts, Continuous)	
AES Standard	2000
Recommended High-Pass Frequency	
24 dB/Octave	25Hz
Calculated Maximum Output (dB SPL, @ 1m)	
Peak	135.0
Long Term	129.0



PHYSICAL

Product Group	G	
Components & Loading	2x 18-in, vented	
System Configuration	Dedicated subwoofer	
Cabinet Type (shape)	Trapezoidal with arched (radiused) grille	
Enclosure Materials	Baltic birch	
Finish	Black catalyzed polyurethane	
Connectors	2x Neutrik NL4 Speakon	
Grille	Vinyl coated perforated steel	
Options	CP118 Caster Pallet (255011)	
Dimensions	inches	millimeters
	Height	45.00 1143
	Width (Front)	23.63 600
	Width (Rear)	13.66 347
	Depth	29.66 753
Trapezoid Angle	10 degrees per side	
Weights	pounds	kilograms
	Net Weight	176 80.1
	Shipping Weight	183 83.3

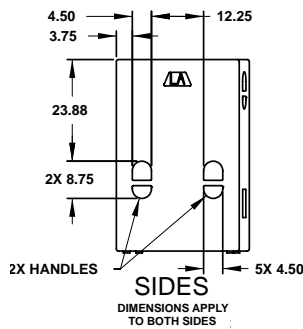
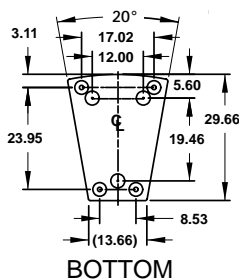
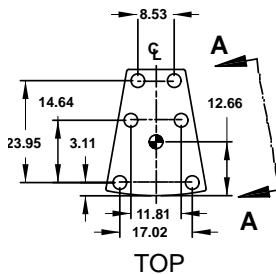
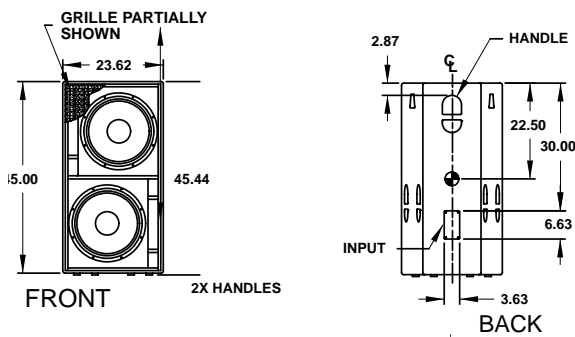




SPECIFICATIONS LA128z

DIMENSIONAL DRAWING

- INDICATES MOUNTING POINT-CASTER PALLET
- INDICATES FOOT CUP.
- ⊙ INDICATES RUBBER FOOT.
- INDICATES CENTER OF BALANCE.



A & E SPECIFICATIONS

The sub bass loudspeaker systems shall incorporate 2x 18-in LF transducer mounted in a vented enclosure tuned for optimum low frequency response.

System frequency response shall vary no more than ± 3 dB from 31 Hz to 200 Hz measured on axis using appropriate signal processing. The loudspeaker shall produce a Sound Pressure Level (SPL) of 98 dB SPL on axis at 1 meter with a power input of 1 Watt, and shall be capable of producing a peak output of 135 SPL on axis at 1 meter. The loudspeaker shall handle 1600 Watts of amplifier power (continuous) and shall have a nominal impedance of 8 Ohms.

The loudspeaker enclosure shall be trapezoidal in shape. It shall be constructed of multi-ply, void-free cross-grain-laminated Baltic birch plywood and shall employ extensive internal bracing. It shall be finished in black catalyzed polyurethane. Input connectors shall be dual Neutrik NL4 Speakon. The front of the loudspeaker shall be covered with a vinyl coated perforated steel grille.

The sub bass loudspeaker shall be the EAW model LA128z.

509109 (0)
2/21/01

Manufacturing tolerances are +/- 0.13 and +/- 1°



Free Manuals Download Website

<http://myh66.com>

<http://usermanuals.us>

<http://www.somanuals.com>

<http://www.4manuals.cc>

<http://www.manual-lib.com>

<http://www.404manual.com>

<http://www.luxmanual.com>

<http://aubethermostatmanual.com>

Golf course search by state

<http://golfingnear.com>

Email search by domain

<http://emailbydomain.com>

Auto manuals search

<http://auto.somanuals.com>

TV manuals search

<http://tv.somanuals.com>