



SPECIFICATIONS LA325

FEATURES

- Three-way full range main channel system
- 2x 15-in LF, vented/2x 7-in MF, sealed
- 2-in exit HF on 90° x 70° Elliptic Conical WGP™
- Integrated flytrack and suspension points
- Switchable powering: full range passive or bi-amp (passive MF/HF)
- For portable use or permanent installation

DESCRIPTION

A 3-way full range system in a vented trapezoidal enclosure. Includes 2x 15-in woofers, 2x 7-in midrange cones and a 2-in exit/3-in voice coil compression driver on a non-conical (90° x 70°) Wave Guide Plate™. Powering mode is switchable: passive (3-way crossover) or bi-amplified (passive MF/HF crossover).

APPLICATION

The LA325 provides concert-level output in a versatile, portable enclosure. High definition nearfield response in small- to medium-sized venue live music applications. Includes handles and 3-position flytracks with integral mounting/suspension points. Optional casters. Six Year Warranty.

Applications include:

Ballroom Events Corporate Events
Band PA

PERFORMANCE

Frequency Response (1 Watt @ 1m)

±3 dB 50 Hz to 20kHz
-10 dB 35 Hz

Axial Sensitivity (dB SPL, 1 Watt @ 1m)

Full Range 100
Bi-amped MF/HF 100
Bi-amped LF 100

Impedance (Ohms)

Full Range 4
Bi-amped MF/HF 4
Bi-amped LF 4
Bi-amped LF 4

Power Handling, AES Standard (Watts)

Full Range 600
Bi-amped MF/HF 600
Bi-amped LF 1000

Calculated Maximum Output (dB SPL @ 1m)

Full Range Peak 133.8
Bi-amped MF/HF Peak 133.8
Bi-amped LF Peak 136.0
Full Range Long Term 127.8
Bi-amped MF/HF Long Term 127.8
Bi-amped LF Long Term 130.0



Nominal Coverage Angle, -6 dB Points (degrees)

Horizontal 90
Vertical 70

Recommended High-Pass Frequency

24 dB/Octave 30 Hz

Recommended Complementary Systems

Sub LA118z / LA128z

PHYSICAL

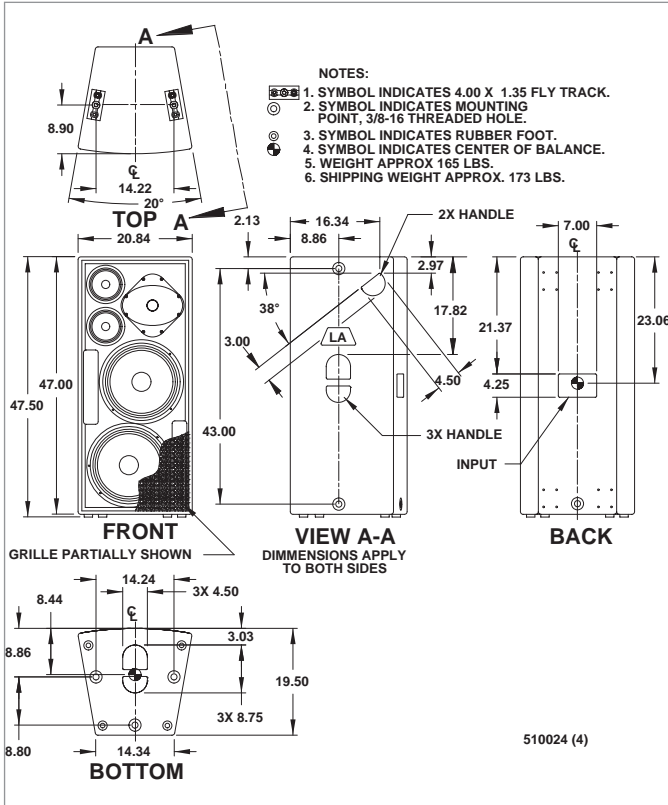
LF Subsystem	2x 15-in, vented	
MF Subsystem	2x 7-in cones in sealed subenclosure	
HF Subsystem	1x 2-in exit/3-in voice coil compression driver on Wave Guide Plate™	
Configuration	3-way, full range	
Powering	Switchable: full range (passive LF/MF/HF crossover) or bi-amplified (passive MF/HF crossover)	
Controls (switches, knobs)	Powering mode switch	
Enclosure Materials	Exterior grade Baltic birch plywood	
Finish	Wear resistant textured black paint	
Connectors	2x Neutrik NL4 Speakon	
Suspension Hardware	2x 3-position flytracks with integral 3/8"-16 threaded mounting points (2 on top) 8x 3/8"-16 threaded mounting points (2 per side, 3 bottom, 1 back)	
Grille	Powder coated perforated steel	
Dimensions	inches	millimeters
	Height	47.00 1194
	Width (front)	20.84 529
	Width (rear)	14.34 364
	Depth	19.50 495
Trapezoid Angle	10 degrees per side	
Weights	pounds	kilograms
	Net Weight	165 75.0
	Shipping Weight	173 78.6





SPECIFICATIONS LA325

DIMENSIONAL DRAWING



Manufacturing tolerances are +/- 0.13 and +/- 1°

A & E SPECIFICATIONS

The three-way full range loudspeaker systems shall incorporate 2x 15-in LF transducers, 2x 7-in cone MF transducers and a 2-in exit/3-in voice coil compression driver HF transducer.

The LF drivers shall be mounted in a vented enclosure tuned for optimum low frequency response. The MF drivers shall be mounted in a sealed subenclosure. The HF driver shall be loaded on an asymmetrical wave guide plate with a nominal coverage pattern of 90° (h) x 70° (v). An internal passive filter network shall provide fourth order acoustical crossover and system equalization.

System frequency response shall vary no more than ±3 dB from 50 Hz to 20 kHz measured on axis. In passive mode, the loudspeaker shall produce a Sound Pressure Level (SPL) of 100 dB SPL on axis at 1 meter with a power input of 1 Watt, and shall be capable of producing a peak output of 133.8 SPL on axis at 1 meter. It shall handle 600 Watts of amplifier power (AES Standard) and shall have a nominal impedance of 4 Ohms.

In bi-amped mode, the mid/high frequency section shall meet all passive mode performance criteria. In addition, the low frequency section in bi-amped mode shall be capable of producing a peak output of 136.0 SPL on axis at 1 meter. The low frequency section in bi-amped mode shall handle 1000 Watts of amplifier power (AES Standard) and shall have a nominal impedance of 4 Ohms.

The loudspeaker enclosure shall be trapezoidal in shape. It shall be constructed of exterior grade Baltic birch plywood and shall employ extensive internal bracing. It shall be finished in wear resistant textured black paint. Input connectors shall be dual Neutrik NL4 Speakon. The system shall include a switch allowing it to be operated in biamp or passive powering mode. The following mounting/suspension hardware shall be provided: two 3-position flytrack with integral 3/8"-16 threaded mounting points (2 on top) and eight 3/8"-16 threaded mounting points (2 per side, 3 bottom, 1 back). The front of the loudspeaker shall be covered with a powder coated perforated steel grille.

The three-way full range loudspeaker shall be the EAW model LA325.



Free Manuals Download Website

<http://myh66.com>

<http://usermanuals.us>

<http://www.somanuals.com>

<http://www.4manuals.cc>

<http://www.manual-lib.com>

<http://www.404manual.com>

<http://www.luxmanual.com>

<http://aubethermostatmanual.com>

Golf course search by state

<http://golfingnear.com>

Email search by domain

<http://emailbydomain.com>

Auto manuals search

<http://auto.somanuals.com>

TV manuals search

<http://tv.somanuals.com>