



SPECIFICATIONS SM109z

FEATURES

- Compact 2-way, 10-in stage monitor/PA
- Dual purpose loudspeaker: stage monitor and PA
- Rubber feet included for floor use plus a pole mount cup for stand mounting
- Passive crossover and EQ for economical single amplifier operation
- Dual Neutrik NL4 connectors for input and loop through connection
- Integral handle strategically placed for easy transport

DESCRIPTION

The SM109z is a compact, professional loudspeaker configured for dual-purpose stage monitor and PA use. It is designed for applications with limited space requiring high quality monitoring. The enclosure is fitted with a pole cup for upright use, increasing the SM109z's usefulness as a main PA loudspeaker. The conical HF waveguide provides wide-angle projection, important in smaller venues where a single monitor must often cover several performers. As a PA loudspeaker, this same pattern is ideal for meetings and presentations. Portable usage is enhanced by the heavy-duty enclosure construction, steel grille, and integral handle. Two Neutrik NL4 jacks provide reliable input and loop through connections. The SM109z carries a six year warranty.

APPLICATION

Applications Include:

- Houses of worship
- TV studios
- Meeting rooms
- Club Bands
- Theatres
- Classrooms

PERFORMANCE

Frequency Response (1 W @ 1m)	
±3 dB	100 Hz to 19 kHz
-10 dB	80 Hz
Axial Sensitivity (dB SPL, 1 Watt @ 1m)	
Full Range	95
Impedance (Ohms)	
Full Range	8
Power Handling (Watts)	
Full Range	300
Recommended High-Pass Frequency (24 dB/octave)	
	70 Hz
Calculated Maximum Output (dB SPL)	
Full Range Peak	126
Full Range Long Term	120
Nominal Coverage Angle / -6 dB points (degrees)	
Conical	100



PHYSICAL

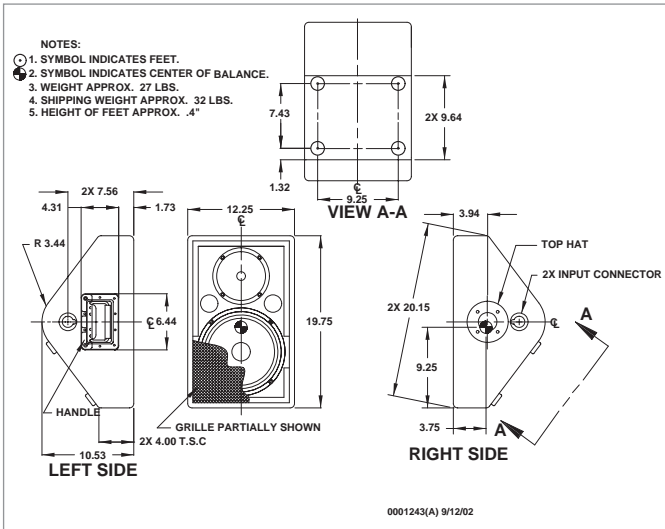
Part Number	0001307	
Configuration	2-way, full-range floor monitor	
LF Subsystem	1x 10-in, vented	
HF Subsystem	1-in exit/1.4-in voice coil compression driver on Wave Guide Plate™	
Powering Mode	Passive LF/HF crossover	
Enclosure Materials	Exterior grade Baltic birch plywood	
Finish	Wear resistant textured black paint	
Connectors	2x Neutrik NL4 Speakon	
Mounting Hardware	Pole mount cup	
Grille	Powder coated perforated steel	
Dimensions	inches	millimeters
Height	14.88	378
Height w/feet	15.5	394
Width	12.25	311
Depth	18.00	457
Floor Angle	37°	
Weights	pounds	kilograms
Net Weight	30	13.7
Shipping Weight	33	15.0





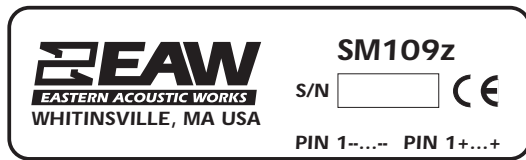
SPECIFICATIONS SM109z

DIMENSIONAL DRAWING



Manufacturing tolerances are +/- 0.13 and +/- 1°

INPUT



A & E SPECIFICATIONS

The 2-way full-range loudspeaker system shall incorporate a 10-in LF transducer and a 1.4-in voice coil compression driver.

The LF transducer shall be mounted in a vented enclosure tuned for optimum low frequency response. The HF transducer shall be loaded on a axis-symmetrical, 1-in exit Wave Guide Plate™ with a nominal conical beamwidth of 100°. An internal passive filter network shall provide all acoustical crossover and system equalization requirements.

System frequency response shall vary no more than ±3 dB from 100 Hz to 19 kHz measured on axis. The loudspeaker shall produce a sound pressure level (SPL) of 95 dB SPL on axis at 1 meter with a power input of 1 watt, and shall be capable of producing a peak output of 126 dB SPL on axis at 1 meter. The loudspeaker shall handle 300 watts of amplifier power (continuous) and shall have a nominal impedance of 8 ohms.

The loudspeaker enclosure shall be irregularly trapezoidal in shape and shall have rubber footpads on one side. Its baffle shall be angled up 37°. It shall be constructed of exterior grade Baltic birch plywood and shall employ extensive internal bracing. It shall be finished in wear-resistant textured black paint. Input connectors shall be 2x Neutrik NL4 Speakon wired in parallel. It shall include a pole mount cup and handle integral to the enclosure. The front of the loudspeaker shall be covered with powder coated perforated steel grille.

The 2-way full-range loudspeaker shall be the EAW model SM109z.



Free Manuals Download Website

<http://myh66.com>

<http://usermanuals.us>

<http://www.somanuals.com>

<http://www.4manuals.cc>

<http://www.manual-lib.com>

<http://www.404manual.com>

<http://www.luxmanual.com>

<http://aubethermostatmanual.com>

Golf course search by state

<http://golfingnear.com>

Email search by domain

<http://emailbydomain.com>

Auto manuals search

<http://auto.somanuals.com>

TV manuals search

<http://tv.somanuals.com>