



# SPECIFICATIONS SM84

## FEATURES

- High output, two-way stage-monitor system
- 4x 8-in LF, vented
- 3-in voice coil/1.4-in exit neodymium HF (40° x 90° coverage pattern)
- Angles up 53°

## DESCRIPTION

The SM84 is a truly unique high-output two-way stage monitor. In addition to a revolutionary 4x 8-in low frequency driver configuration and split baffle design, the SM84 employs a 1.4-in exit neodymium compression driver on a unique 40°H x 90°V angled-front horn. It is capable of 139dB SPL peak output.

## APPLICATION

Applications include:

- Concert Tours
- Corporate Events
- Major Televised Events
- Cathedrals
- Large Houses of Worship
- Live Music Clubs

## PERFORMANCE

### Frequency Response (Hz)

±3 dB	60 Hz to 17 kHz
-10 dB	45 Hz

### Axial Sensitivity (dB SPL, 1 Watt @ 1m)

LF	99
HF	110

### Impedance (Ohms)

LF	4
HF	8

### Power Handling (Watts, Continuous)

LF	1000
HF	200

### Recommended High-Pass Frequency

24 dB/Octave	50 Hz
--------------	-------

### Calculated Maximum Output (dB SPL)

LF Peak	135.0
HF Peak	139.0
LF Long Term	129.0
HF Long term	133.0

### Nominal Coverage Angle, -6 dB Points (degrees)

Horizontal	40
Vertical	90



## PHYSICAL

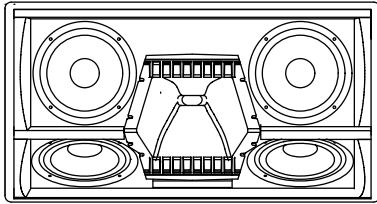
LF Subsystem	4x 8-in, vented	
HF Subsystem	3-in voice coil/1.4-in exit neodymium compression driver on constant directivity horn	
System Configuration	Full range floor monitor	
Powering Mode	Bi-amplified	
Cabinet Type (shape)	Stage monitor	
Enclosure Materials	Baltic birch plywood	
Finish	Wear-resistant textured black paint	
Connectors	4x Neutrik NL4 Speakon (2 per side)	
Grille	Powder coated perforated steel	
Dimensions	<b>Inches</b>	<b>Millimeters</b>
	Height	12.5 318
	Width	29.8 756
Weights	<b>Pounds</b>	<b>Kilograms</b>
	Net Weight	79.50 36.20
Shipping Weight	84.50 38.40	



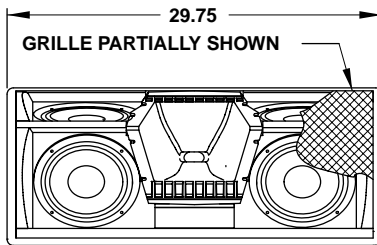


# SPECIFICATIONS SM84

## DIMENSIONAL DRAWING



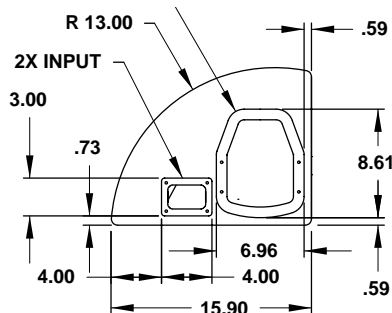
TOP



FRONT



BACK



SIDES

509067(A)  
8/31/00

## A & E SPECIFICATIONS

The two-way full range loudspeaker system shall incorporate a four 8-in LF transducers and a 3-in voice coil/1.4-in exit neodymium compression driver. Powering mode is bi-amplified.

The LF drivers shall be mounted in a vented enclosure tuned for optimum low frequency response. The HF driver shall be loaded on a constant directivity horn with a nominal coverage pattern of 40° (h) x 90° (v).

System frequency response shall vary no more than  $\pm 3$  dB from 60 Hz to 17 kHz measured on axis. The LF shall produce a Sound Pressure Level (SPL) of 99 dB SPL on axis at 1 meter with a power input of 1 Watt, and the HF shall be capable of producing an output of 110 SPL on axis at 1 meter. The LF shall handle 1000 Watts of amplifier power (continuous) and have a nominal impedance of 4 Ohms. The HF shall handle 200 Watts of amplifier power and have a nominal impedance of 8 Ohms.

The loudspeaker enclosure shall be irregularly triangular in shape with its baffle angled up 53°. It shall be constructed of multi-ply, void-free cross-grain-laminated Baltic birch plywood and shall employ extensive internal bracing. It shall be finished in wear-resistant textured black paint. Input connectors shall be 4x Neutrik NL4 Speakon (2 per side). The front of the loudspeaker shall be covered with a powder coated perforated steel grille backed with open cell foam to protect against dust.

The two-way full range loudspeaker shall be the EAW model SM84.

Manufacturing tolerances are +/- 0.13 and +/- 1°



## Free Manuals Download Website

<http://myh66.com>

<http://usermanuals.us>

<http://www.somanuals.com>

<http://www.4manuals.cc>

<http://www.manual-lib.com>

<http://www.404manual.com>

<http://www.luxmanual.com>

<http://aubethermostatmanual.com>

Golf course search by state

<http://golfingnear.com>

Email search by domain

<http://emailbydomain.com>

Auto manuals search

<http://auto.somanuals.com>

TV manuals search

<http://tv.somanuals.com>