



SPECIFICATIONS UB80

FEATURES

- Angled baffle, ultra two-way system
- 8-in LF/1.3-in tweeter on Wave Guide Plate™ (120° conical coverage pattern)
- Asymmetrical enclosure mounts against wall and ceiling
- High output, high definition sound from an ultracompact enclosure

DESCRIPTION

A 2-way full range system (passive LF/HF crossover) in an ultracompact asymmetrical enclosure. Includes an 8-in woofer and a 1.3-in soft dome tweeter on a Wave Guide Plate™.

APPLICATIONS

The UB80 is engineered to provide high definition, high output in demanding nearfield applications. Unique enclosure shape offers exceptional flexibility in difficult mounting locations. Comprehensive mounting/suspension points. Six year warranty.

Applications include:

- Large Theaters (underbalcony fill/delay)
- Small Theaters (underbalcony fill/delay)
- MultiMedia
- Boardrooms
- Small HOW's (distributed)
- Large Retail Spaces (distributed)

PERFORMANCE

Frequency Response (1 Watt @ 1m)

±3 dB	75 Hz to 17 kHz
-10 dB	55 Hz

Axial Sensitivity (dB SPL, 1 Watt @ 1m)

92

Impedance (Ohms)

8

Power Handling, AES Standard (Watts)

180

Calculated Maximum Output (dB SPL @ 1m)

Peak	120.6
Long Term	114.6

Nominal Coverage Angle, -6 dB Points (degrees)

Conical 120

Recommended High-Pass Frequency

24 dB/Octave 50 Hz



PHYSICAL

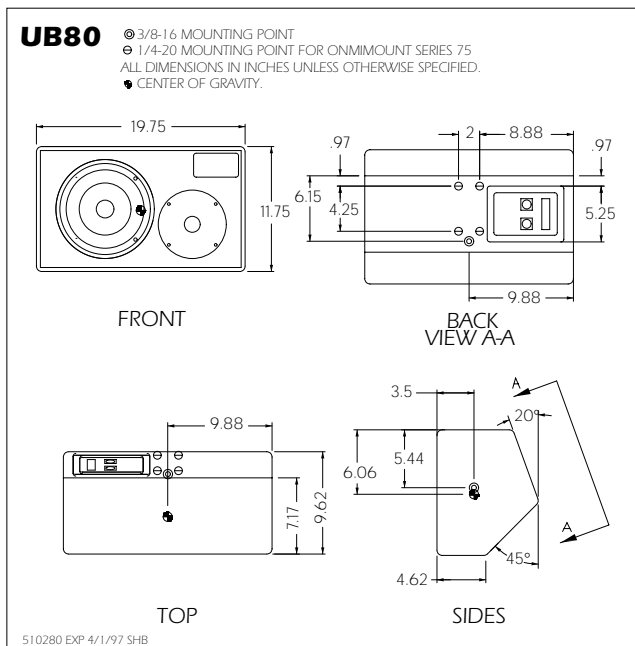
LF Subsystem	1x 8-in cone, vented	
HF Subsystem	1x 1.3-in soft dome tweeter on Wave Guide Plate™	
Configuration	2-way, full range, overhead mount	
Powering	Passive	
Cabinet Type (shape)	Irregular pentagon	
Enclosure Materials	Baltic birch plywood	
Finish	Black catalyzed polyurethane	
Connectors	2x Neutrik NL4 Speakon 2-terminal barrier strip	
Suspension Hardware	(2) 3/8"-16 threaded suspension points (1 per side) Plus 4 1/4"-20 threaded mounting points on back for Omnimount Series 75	
Grille	Vinyl coated perforated sheet	
Mounting Bracket	980003	
Dimensions	Inches	Millimeters
Height	11.75	298
Width	19.75	502
Depth	9.63	245
Weights	Pounds	Kilograms
Net Weight	45	20.5
Shipping Weight	51	23.2





SPECIFICATIONS UB80

DIMENSIONAL DRAWING



A & E SPECIFICATIONS

The two-way full range loudspeaker systems shall incorporate an 8-in LF transducer and a 1.3-in soft dome tweeter HF transducer.

The LF driver shall be mounted in a vented enclosure tuned for optimum low frequency response. The HF driver shall be loaded on an axis-symmetrical wave guide plate with a nominal coverage pattern of 120° (conical). An internal passive filter network shall provide fourth order acoustical crossover and system equalization.

System frequency response shall vary no more than ± 3 dB from 75 Hz to 17 kHz measured on axis. The loudspeaker shall produce a Sound Pressure Level (SPL) of 92 dB SPL on axis at 1 meter with a power input of 1 Watt, and shall be capable of producing a peak output of 120.6 SPL on axis at 1 meter. The loudspeaker shall handle 180 Watts of amplifier power (AES Standard) and shall have a nominal impedance of 8 Ohms.

The loudspeaker enclosure shall be irregularly pentagonal in shape. It shall be constructed of 1/2-in thickness void-free cross-grain-laminated Baltic birch plywood and shall employ extensive internal bracing. It shall be finished in black catalyzed polyurethane. Input connectors shall be 2-terminal barrier strip and dual Neutrik NL4 Speakon. A total of two 3/8"-16 Threaded Mounting Points (1 each per side) and four 1/4"-20 Threaded Mounting Points (on rear to accept Omnimount Series 75) shall be provided. The front of the loudspeaker shall be covered with a vinyl coated perforated steel grille.

The two-way full range loudspeaker shall be the EAW model UB80.

Free Manuals Download Website

<http://myh66.com>

<http://usermanuals.us>

<http://www.somanuals.com>

<http://www.4manuals.cc>

<http://www.manual-lib.com>

<http://www.404manual.com>

<http://www.luxmanual.com>

<http://aubethermostatmanual.com>

Golf course search by state

<http://golfingnear.com>

Email search by domain

<http://emailbydomain.com>

Auto manuals search

<http://auto.somanuals.com>

TV manuals search

<http://tv.somanuals.com>