



SPECIFICATIONS AS415e

DESCRIPTION

A dedicated low frequency system in a trapezoidal enclosure. Includes a vented 15-in woofer.

APPLICATION

The AS415e is engineered for permanent installations. It complements the AS460e or AS490e mid/high modules to provide full range performance in a flexible, modular, multi-enclosure format. Its trapezoid angles create the ideal splay for arrays of 2x AS460e's. Includes comprehensive 3/8"-16 threaded mounting/suspension points. Six year warranty.

Applications include:

Stadiums	Arenas
Performing Arts Centers	Houses of Worship

PERFORMANCE

Frequency Response (Hz)	
±3 dB	60 Hz to 500 Hz
-10 dB	47 Hz
Axial Sensitivity (dB SPL, 1 Watt @ 1m)	
LF	97
Impedance (Ohms)	
LF	8
Power Handling (Watts, Continuous)	
LF	600
Recommended High-Pass Frequency	
24 dB/Octave	40 Hz
Calculated Maximum Output (dB SPL @ 1m)	
LF Peak	130
LF Long Term	124



PHYSICAL

Product Group	I	
Configuration	Dedicated low frequency system	
LF Subsystem & Loading	1x 15-in, vented	
Cabinet Type (shape)	Trapezoidal	
Enclosure Materials	Exterior grade Baltic birch plywood	
Finish	Wear-resistant textured black paint	
Connectors	2-Contact terminal strip	
Suspension Hardware	(18) 3/8"-16 threaded mounting points (4 each top and bottom and sides, 2 on back)	
Grille	Powder coated perforated steel	
Dimensions	inches	millimeters
	Height	22.5 572
	Width (front)	24.6 626
	Width (rear)	16.5 419
	Depth	23 584
Trapezoid Angle	10 Degrees per Side	
Weights	pounds	kilograms
	Net Weight	88 40.0
	Shipping Weight	103 46.9

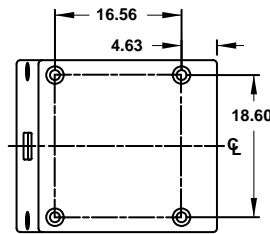
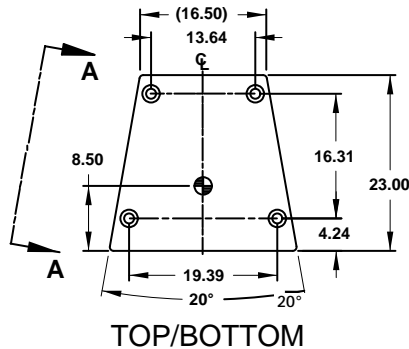
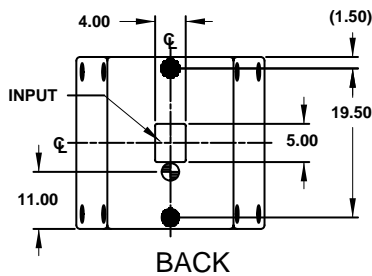
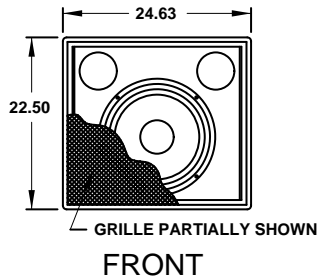




SPECIFICATIONS AS415e

DIMENSIONAL DRAWING

- ⊙ INDICATES MOUNTING POINT, 3/8-16 THREADED HOLE (PI ANGLE).
- INDICATES MOUNTING POINT, 3/8-16 THREADED HOLE (NUT PLATE).
- ⊕ SYMBOL INDICATES CENTER OF BALANCE



DIMENSIONS APPLY TO BOTH SIDES

A & E SPECIFICATIONS

The low frequency loudspeaker system shall incorporate a 15-in LF transducer that shall be mounted in a vented enclosure tuned for optimum LF response.

System frequency response shall vary no more than ± 3 dB from 60 to 500 Hz measured on axis. The system shall produce a Sound Pressure Level (SPL) of 97 dB SPL on axis at 1 meter with a power input of 1 Watt, and shall be capable of producing a peak output of 130 dB SPL on axis at 1 meter. The system shall handle 600 Watts of amplifier power (continuous) and shall have a nominal impedance of 8 Ohms.

The loudspeaker enclosure shall be trapezoidal in shape. It shall be constructed of multi-ply, void-free, cross-grain-laminated, exterior grade, Baltic birch plywood and shall employ extensive internal bracing. It shall be finished in wear-resistant textured black paint. Input connectors shall be 2-contact terminal strip. Eighteen (18) 3/8"-16 threaded mounting/suspension points (4 each top, bottom and sides, 2 on back) shall be provided. The front of the loudspeaker shall be covered with a powder coated perforated steel grille.

The low frequency loudspeaker shall be the EAW model AS415e.

509138 (0)
5/14/01

Manufacturing tolerances are +/- 0.13 and +/- 1°



Free Manuals Download Website

<http://myh66.com>

<http://usermanuals.us>

<http://www.somanuals.com>

<http://www.4manuals.cc>

<http://www.manual-lib.com>

<http://www.404manual.com>

<http://www.luxmanual.com>

<http://aubethermostatmanual.com>

Golf course search by state

<http://golfingnear.com>

Email search by domain

<http://emailbydomain.com>

Auto manuals search

<http://auto.somanuals.com>

TV manuals search

<http://tv.somanuals.com>