



SPECIFICATIONS KF910

DESCRIPTION

A dedicated PPST long throw high frequency system in a trapezoidal enclosure. Includes 5x 2-in exit compression drivers on SimplePhase™ horns.

APPLICATION

The KF910 PPST long throw HF module is engineered for use in KF900 Series arrays. It provides HF coverage from 0° to 15° below the array. It is engineered to provide extended high frequency response at distances in excess of 600 ft. KF900 Series modules can only be used in arrays and must be integrated with complex PPST processing. Six year warranty.

Applications include:

Stadiums Concert Tours

PERFORMANCE

Frequency Response (1 Watt @ 1m)	
±3 dB	500 Hz to 14 kHz
-10 dB	400 Hz to 2 16 khz
Efficiency/Axial Sensitivity (dB SPL, 1 Watt @ 1m)	
HF	117
Impedance (Ohm)	
HF	5x 8
Power Handling, AES Standard (Watts)	
HF	5x 200
Recommended Amplifier Power (Watts)	
HF	5x 400
Calculated Maximum Output (dB SPL)	
HF Peak	153.0
HF Long Term	146.0
Nominal Coverage Angle/-6 dB points (degrees)	
Horizontal	30
Vertical	Beam profile adjustable via PPST processing
Recommended Complementary Systems	
Sub	KF940
LF	KF930
Mid/High	KF920/KF911



Prototype shown with temporary hardware

PHYSICAL

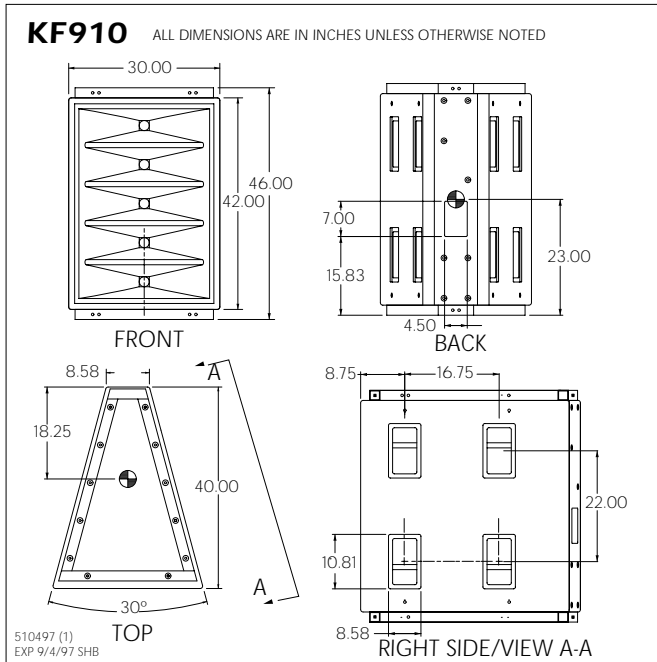
Part Number	999522	
HF Subsystem & Loading	5X 2-in exit compression drivers on 30° (H) SimplePhase horns	
System Configuration	Dedicated HF, long throw	
Powering Configuration	Active processing	
System Crossover	800 Hz to 1300 Hz	
Controls (switches, knobs)	None	
Recommended High-Pass Frequency (24 dB/Octave)	1250 Hz, 500 Hz minimum	
Cabinet Type (shape)	Trapezoidal	
Enclosure Materials	Baltic birch plywood	
Finish	Black catalyzed polyurethane	
Connectors	One each male and female AP6, 2x Neutrik NL4 Speakon	
Suspension Hardware	(16) 3/8"-16 threaded mounting suspension points (4 each top, bottom and sides)	
Grille	Vinyl coated perforated steel, foam backed	
Dimensions	inches	millimeters
	Height	46.00 1168
	Width (Front)	30.00 762
	Width (Rear)	8.56 217
	Depth	40.00 1016
	Trapezoid Angle	15° per side
Weights	pounds	kilograms
	Net Weight	288 131.0
	Shipping Weight	293 133.3





SPECIFICATIONS KF910

DIMENSIONAL DRAWING



Manufacturing tolerances are +/-0.13 and +/-1°

A & E SPECIFICATIONS

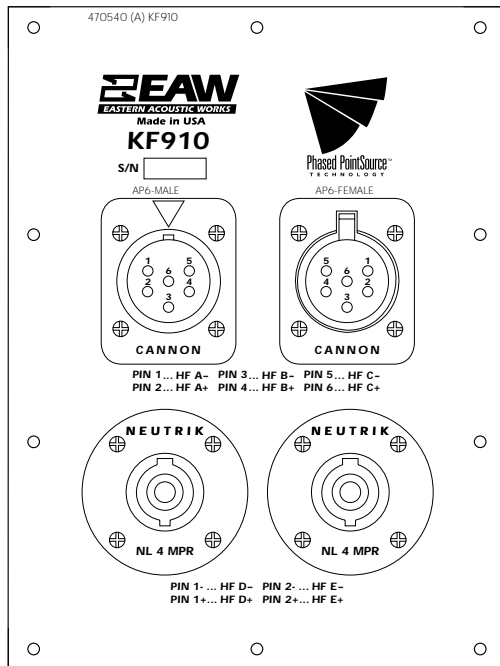
The long throw high frequency module shall incorporate 5x horn-loaded 2-in exit compression driver HF transducers. The module shall have a nominal horizontal coverage pattern of 30°. The module's vertical beam profile shall be adjustable via complex digital signal processing. The module shall be integrated with complementary frequency-specific modules into a single acoustical unit via complex digital signal processing.

Module frequency response shall vary no more than ± 3 dB from 500 Hz to 14 kHz measured on axis. The module shall produce a Sound Pressure Level (SPL) of 117 dB SPL on axis at 1 meter with a power input of 1 Watt, and shall be capable of producing a peak output of 153 dB SPL on axis at 1 meter. Each driver shall handle 200 Watts of amplifier power (AES Standard) and shall have a nominal impedance of 8 Ohms.

The loudspeaker enclosure shall be trapezoidal in shape. It shall be constructed of 1/2-in thickness void-free cross-grain-laminated Baltic birch plywood and shall employ extensive internal bracing. It shall be finished in black catalyzed polyurethane. Input connectors shall be one each male and female AP6 plus two Neutrik NL4 Speakon. The enclosure shall include sixteen 3/8"-16 threaded mounting/suspension points (4 each top, bottom and sides). The front of the loudspeaker shall be covered with a vinyl coated perforated steel grille backed with open cell foam to protect against dust.

The long throw high frequency module shall be the EAW model KF910.

INPUT PLATE



Free Manuals Download Website

<http://myh66.com>

<http://usermanuals.us>

<http://www.somanuals.com>

<http://www.4manuals.cc>

<http://www.manual-lib.com>

<http://www.404manual.com>

<http://www.luxmanual.com>

<http://aubethermostatmanual.com>

Golf course search by state

<http://golfingnear.com>

Email search by domain

<http://emailbydomain.com>

Auto manuals search

<http://auto.somanuals.com>

TV manuals search

<http://tv.somanuals.com>