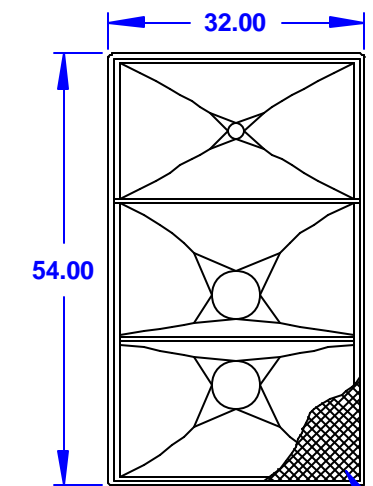
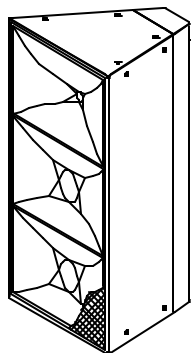


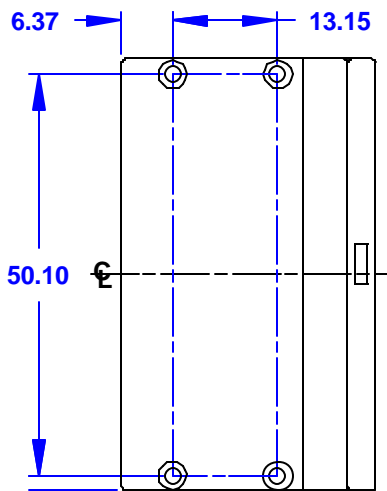
TOP
DIMENSIONS APPLY TO
TOP AND BOTTOM



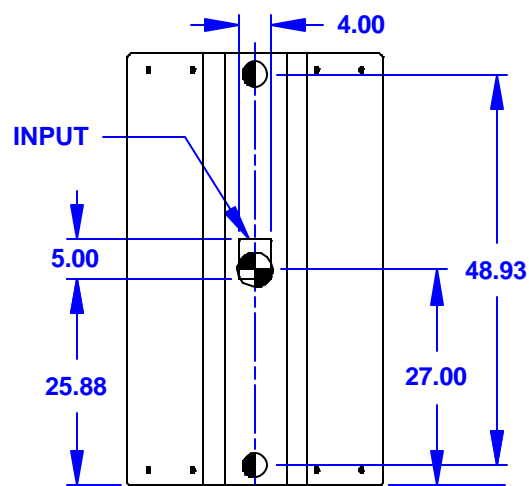
GRILL PARTIALLY SHOWN
FRONT



MQ2364e



VIEW A-A
DIMENSIONS APPLY TO
BOTH SIDES



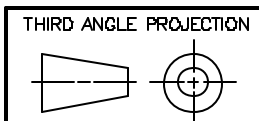
BACK

REV	DESCRIPTION	APVD/DATE
A	RELEASED TO PRODUCTION, FROM REV 1 PER MCOWHT 1208 MELANIE 11/08/02	RAS 11/8/02

NOTES:

1. SYMBOL INDICATES MOUNTING POINT, 3/8-16 THREADED HOLE (PI ANGLE).
2. SYMBOL INDICATES NON LOAD BEARING MOUNTING POINT, 3/8-16 THREADED HOLE (PI ANGLE).
3. SYMBOL INDICATES CENTER OF BALANCE.
4. WEIGHT APPROX. 217 LBS.
5. SHIPPING WEIGHT APPROX. 241 LBS.

DOCUMENT CONTROL PER SPECIFICATION 4.5.201



THIS DRAWING IS THE PROPERTY OF EAW AND SHALL NOT BE COPIED, REPRODUCED, OR USED AS THE BASIS FOR MANUFACTURE OR SALE OF APPARATUS WITHOUT WRITTEN AUTHORIZATION. DO NOT SCALE DRAWING.

UNLESS OTHERWISE SPECIFIED:
ALL DIMENSIONS ARE IN INCHES
TOLERANCE IN INCHES
.XX ± .13
ANGLES ± 1°
(X.XX) - REF DIMS
NO TOLERANCE IMPLIED
T.S.C. - THEORETICAL SHARP CORNER
DIMENSIONS ACROSS CENTERLINES
TO BE SYMMETRICAL

STATUS: PRODUCTION	
APPROVALS	DATE
DRAWN: JRM	3/20/02
CHECKED: RAS	11/8/02
DES ENG: PAD	11/8/02
MFG ENG: DBD/MD	11/20/02

EAW EASTERN ACOUSTICWORKS ONE MAIN STREET WHITINSVILLE, MA 01588 USA	
TITLE: CABINET/FINISHED/BLACK/ MQ2364e [MANUFACTURING SPECIFICATION]	
A	SHEET 1 OF 1
SCALE: 1 TO 24	
DRAWING NUMBER: 0002346	REVISION: A

Free Manuals Download Website

<http://myh66.com>

<http://usermanuals.us>

<http://www.somanuals.com>

<http://www.4manuals.cc>

<http://www.manual-lib.com>

<http://www.404manual.com>

<http://www.luxmanual.com>

<http://aubethermostatmanual.com>

Golf course search by state

<http://golfingnear.com>

Email search by domain

<http://emailbydomain.com>

Auto manuals search

<http://auto.somanuals.com>

TV manuals search

<http://tv.somanuals.com>