

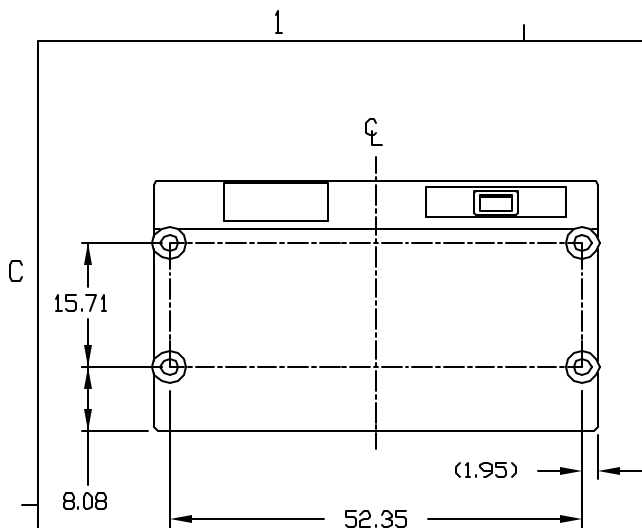


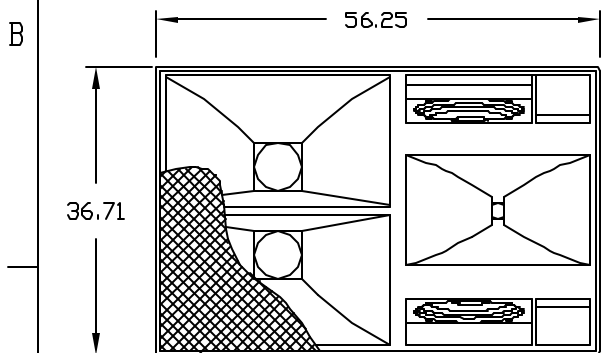
REV	DESCRIPTION	APVD/DATE
B	REVISED PER DSR 00-395 MFL 4/11/00	KFH 4/11/00

NOTES:

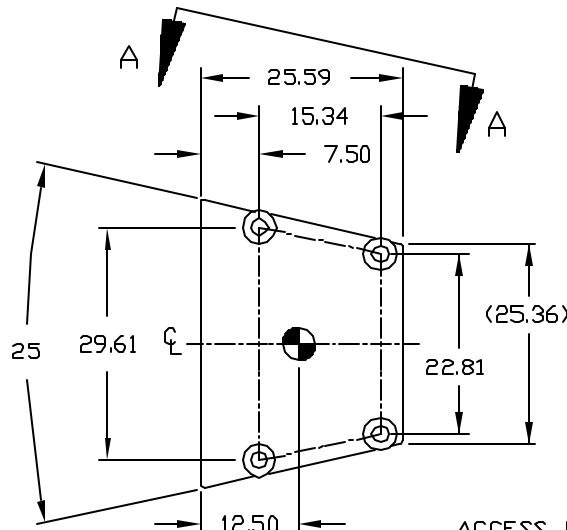
1. SYMBOL  INDICATES MOUNTING POINT, 3/8-16 THREADED HOLE (PI ANGLE).
2. SYMBOL  INDICATES CENTER OF BALANCE.
3. WEIGHT APPROX. 300 LBS.
4. SHIPPING WEIGHT APPROX. 330 LBS.



VIEW A-A
DIMENSIONS APPLY TO TOP & BOTTOM

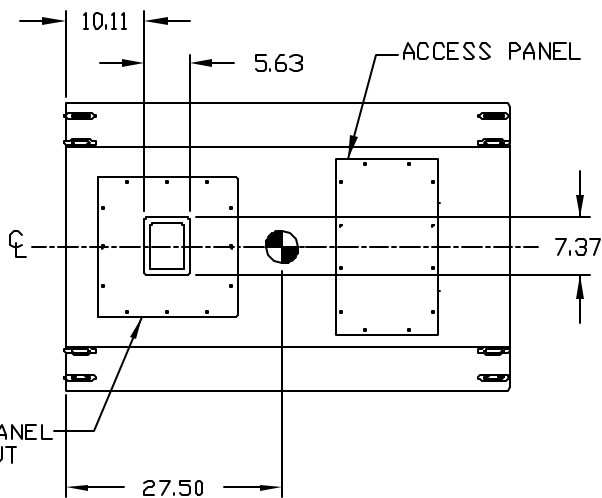


GRILLE PARTIALLY SHOWN
FRONT



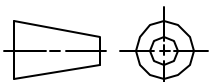

SIDES
DIMENSIONS APPLY TO BOTH SIDES

MQV2394



BACK

DOCUMENT CONTROL PER SPECIFICATION 4.5.201

<p>THIRD ANGLE PROJECTION</p> 	<p>UNLESS OTHERWISE SPECIFIED: ALL DIMENSIONS ARE IN INCHES TOLERANCE IN INCHES XX ± 13 ANGLES ±1</p> <p>(XXX) = REF DIMS NO TOLERANCE IMPLIED</p> <p>T.S.C.=THEORETICAL SHARP CORNER DIMENSIONS ACROSS CENTERLINES TO BE SYMMETRICAL</p>	STATUS: PILOT		 EASTERN ACOUSTIC WORKS ONE MAIN STREET WATKINSVILLE, VA 22906 USA
		APPROVALS	DATE	
		DRAWN: JRM	3/24/00	CABINET/FINISHED-MQV2394 [MECHANICAL SPECIFICATION]
		CHECKED:		
		DES ENG:		A SHEET 1 OF 1 SCALE: 1 TO 24
		MFG ENG:		DRAWING NUMBER: 509034 REVISION: B

Free Manuals Download Website

<http://myh66.com>

<http://usermanuals.us>

<http://www.somanuals.com>

<http://www.4manuals.cc>

<http://www.manual-lib.com>

<http://www.404manual.com>

<http://www.luxmanual.com>

<http://aubethermostatmanual.com>

Golf course search by state

<http://golfingnear.com>

Email search by domain

<http://emailbydomain.com>

Auto manuals search

<http://auto.somanuals.com>

TV manuals search

<http://tv.somanuals.com>