



SPECIFICATIONS SM12

FEATURES

- High output, two-way stage-monitor system
- 1x 12-in LF, vented
- 3-in voice coil/1.4-in exit neodymium HF (40° x 60° coverage pattern)
- Angles up 53°

APPLICATION

Applications include:

- Concert Tours
- Major Televised Events
- Large Houses of Worship
- Corporate Events
- Cathedrals
- Live Music Clubs

PERFORMANCE

Frequency Response (Hz)

±3 dB	60 Hz to 17 kHz
-10 dB	50 Hz

Axial Sensitivity (dB SPL, 1 Watt @ 1m)

LF	98
HF	110

Impedance (Ohms)

LF	8
HF	8

Power Handling (Watts, Continuous)

LF	700
HF	200

Recommended High-Pass Frequency

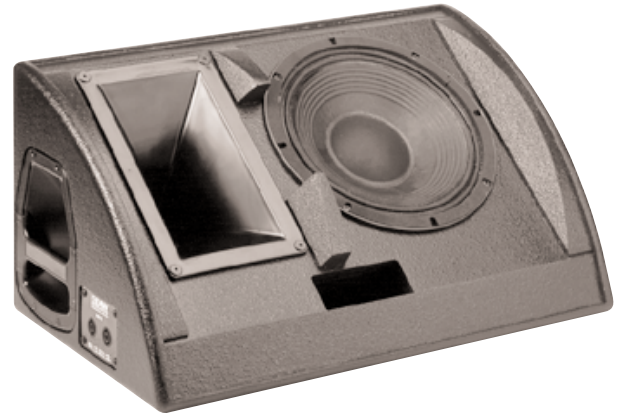
24 dB/Octave	50Hz
--------------	------

Calculated Maximum Output (dB SPL)

LF Peak	132.5
HF Peak	139.0
LF Long Term	126.5
HF Long term	133.0

Nominal Coverage Angle, -6 dB Points (degrees)

Horizontal	40
Vertical	60



PHYSICAL

LF Subsystem	1x 12-in, Vented
HF Subsystem	3-in voice coil/1.4-in exit neodymium compression driver on constant directivity horn
System Configuration	Full range floor monitor
Powering Mode	Bi-amplified
Cabinet Type (shape)	Stage monitor
Enclosure Materials	Baltic birch plywood
Finish	Wear-resistant textured black paint
Connectors	4x Neutrik NL4 Speakon (2 per side)
Grille	Powder coated perforated steel, foam backed

Dimensions	Inches	Millimeters
Height	12.8	324
Width	26.0	662
Depth	15.9	404
Trapezoid Angle		

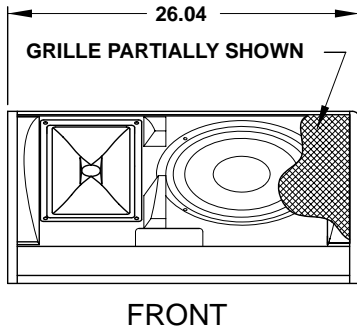
Weights	Pounds	Kilograms
Net Weight	61.00	27.80
Shipping Weight	66.00	30.00





SPECIFICATIONS SM12

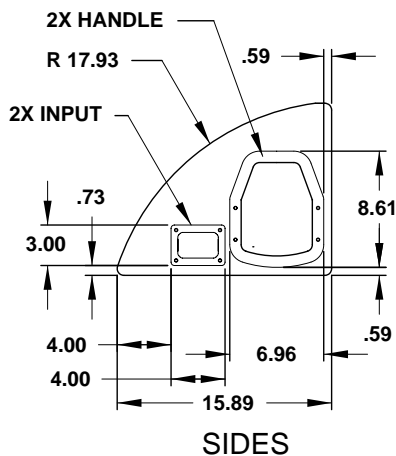
DIMENSIONAL DRAWING



FRONT



BACK



SIDES

A & E SPECIFICATIONS

The two-way full range loudspeaker system shall incorporate a 12-in LF transducer and a 3-in voice coil/1.4-in exit neodymium compression driver. Powering mode is bi-amplified.

The LF driver shall be mounted in a vented enclosure tuned for optimum low frequency response. The HF driver shall be loaded on a constant directivity horn with a nominal coverage pattern of 40° (h) x 60° (v).

System frequency response shall vary no more than ± 3 dB from 60 Hz to 17 kHz measured on axis. The LF shall produce a Sound Pressure Level (SPL) of 98 dB SPL on axis at 1 meter with a power input of 1 Watt, and the HF shall be capable of producing an output of 110 SPL on axis at 1 meter with a power input of 1 Watt. The LF shall handle 700 Watts of amplifier power (continuous) and the HF shall handle 200 Watts of amplifier power. Both shall have a nominal impedance of 8 Ohms.

The loudspeaker enclosure shall be irregularly triangular in shape with its baffle angled up 53°. It shall be constructed of multi-ply, void-free cross-grain-laminated Baltic birch plywood and shall employ extensive internal bracing. It shall be finished in wear-resistant textured black paint. Input connectors shall be 4x Neutrik NL4 Speakon (2 per side). The front of the loudspeaker shall be covered with a powder coated perforated steel grille backed with open cell foam to protect against dust.

The two-way full range loudspeaker shall be the EAW model SM12.

509069 (A)
8/31/99

Manufacturing tolerances are +/- 0.13 and +/- 1°



Free Manuals Download Website

<http://myh66.com>

<http://usermanuals.us>

<http://www.somanuals.com>

<http://www.4manuals.cc>

<http://www.manual-lib.com>

<http://www.404manual.com>

<http://www.luxmanual.com>

<http://aubethermostatmanual.com>

Golf course search by state

<http://golfingnear.com>

Email search by domain

<http://emailbydomain.com>

Auto manuals search

<http://auto.somanuals.com>

TV manuals search

<http://tv.somanuals.com>