

Earlex[®] Spray Pack



PLEASE READ MAIN INSTRUCTION MANUAL BEFORE USE

Important Information

This Spray Pack is only to be used with the following Earlex HVLP units, Spray Station 2900, 3500 and 3900.

Using with another HVLP unit may affect the Spray Pack's performance. This does not affect your statutory rights.

This 4 litre Spray Pack is designed to fit your back. It allows for large painting jobs to be completed without the need to re-fill, saving you a substantial amount of time. There are jobs where the use of the 1 litre container is more appropriate:

| Which Container should I use? | 4litre Spray Pack | 1litre Container |
|-------------------------------|--|------------------|
| For ceiling | Not recommended | Yes |
| For wall or floor | Yes | Yes |
| With water based product | Yes | Yes |
| With solvent based product | Not recommended as a lot of thinners will be required for the clean up | Yes |
| Undercoats | Not recommended | Yes |
| Smooth masonry paints | Not recommended | Yes |

NB: As per the use of the 1 litre container, low temperatures can make paint thicker and we therefore recommend spraying at a minimum of 15°C.

THE SPRAY PACK MUST BE ASSEMBLED BEFORE FILLING Set Up for HV2900, 3500 or 3900 (Fig.1)

- Using scissors or a sharp knife, split the Twin Tube (5) at both ends.
- Put the Hose Clips (6) at each end of the striped tube (Fig.2).
- Take the Spray Gun and remove the Paint Container and Pick-Up Tube.
- Connect the striped tube to the bottom of the Spray Pack (Fig.2, 1a) and the other end to the paint pick up (Fig.2, 1b) of the Spray Gun, and connect the unstriped tube to the top of the Spray Pack (Fig.2, 2a) and the other end to the air outlet on the Spray Gun (Fig.2, 2b).

HINT: Running the end of the tubes under warm water will ease the fitting onto the Spray Gun and Spray Pack.

- Fitting of Straps to Spray Pack:
 - Fit the strap hooks into the round holes at the top of the Spray Pack.
 - Feed the strap through the vertical slots at the bottom of the Spray Pack, loop around and feed back through the strap buckle.

Spraying

IT IS RECOMMENDED THAT THE UNIT IS TESTED WITH WATER PRIOR TO EACH USE

- Remove Spray Pack Lid (2) and pour in required spray material and thinners.
- Ensure the spray material and thinners do not exceed the max fill line on the Spray Pack.
- Fit the Spray Pack Lid, ensuring that Seal (3) is present. Make sure the lid is tightened securely.
- Connect the hose that is supplied with your Earlex Spray Station into the back of the Spray Gun.
- Put the Spray Pack on your back and tighten straps (WARNING: Spray Pack weighs approximately 5kg when full).
- Ensure the Spray Pack is secure on your back and the straps are tightened. The Spray Pack should sit in your upper back area for optimum working spray height.
- Turn on the Spray Station unit, hold the Spray Gun lower than Spray Pack until the liquid reaches the Spray Gun, then you are ready to start spraying. Overalls, goggles, mask and gloves should be worn whilst using spray equipment.

Cleaning Instructions

The Spray Pack must be thoroughly cleaned immediately after use. If the paint dries inside the Spray Pack, cleaning will become much more difficult and may render the Spray Pack inoperable. This is not covered by the guarantee.

- Remove the Spray Pack Lid (2).
- Pour any leftover paint into a container so that it can be used in the future. Wipe the Spray Pack to remove as much as possible.
- Pour a quantity of thinners or water into the container, shake the Spray Pack lightly, reassemble the Spray Pack, then spray this liquid through the Spray Gun. Repeat this process until the thinner being sprayed is coming through with no traces of paint.
- Clean any traces of paint off the outside of the Spray Gun.

Troubleshooting

| PROBLEM | WHAT IS THE SOLUTION? |
|---|---|
| Spray material does not reach Spray Gun when trigger is activated | 1. Check Air feed Hose and Spray Pack Container lid are sealed and fully tightened. |
| | 2. Check if Spray Gun Fluid Tip is blocked and Fluid Needle is free to move. |
| | 3. Check the dilution of your paint and if necessary dilute more. |
| | 4. Level of spray material in container is too low, refill. |

Design Registrations;

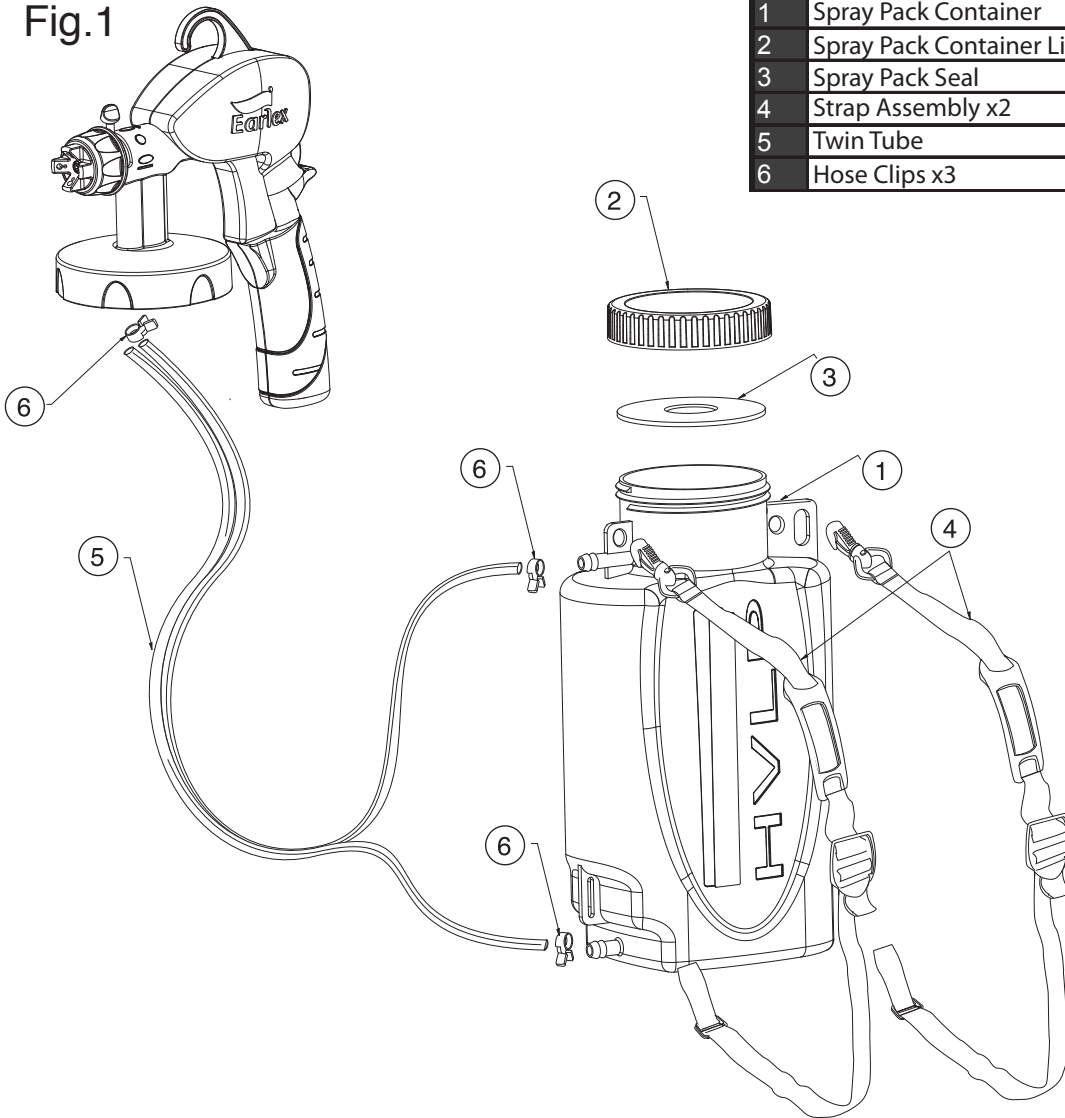
GB 3022948 FR 06/5462 US D562,544 CA 118106

V0053 07/09



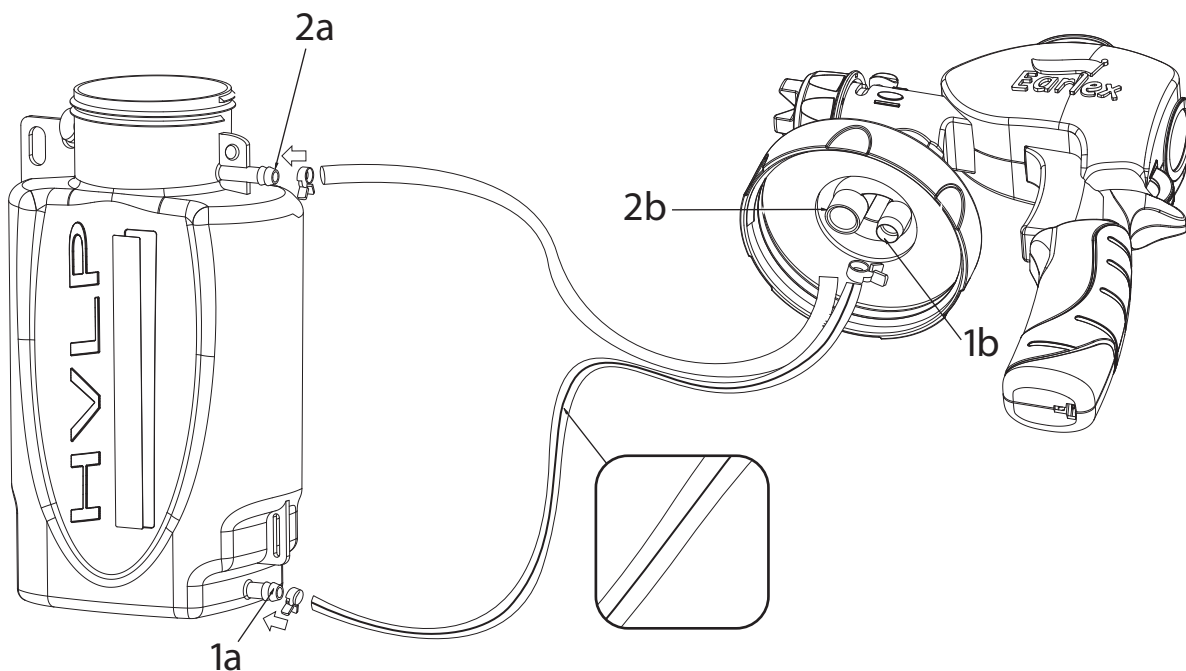
Exploded Diagram of Spray Pack

Fig.1



| Spray Pack Parts List | | |
|-----------------------|--------------------------|-----------|
| No. | Description | Part Code |
| 1 | Spray Pack Container | L0222 |
| 2 | Spray Pack Container Lid | L0223 |
| 3 | Spray Pack Seal | L0682 |
| 4 | Strap Assembly x2 | L0493 |
| 5 | Twin Tube | L0633 |
| 6 | Hose Clips x3 | |

Fig.2



Free Manuals Download Website

<http://myh66.com>

<http://usermanuals.us>

<http://www.somanuals.com>

<http://www.4manuals.cc>

<http://www.manual-lib.com>

<http://www.404manual.com>

<http://www.luxmanual.com>

<http://aubethermostatmanual.com>

Golf course search by state

<http://golfingnear.com>

Email search by domain

<http://emailbydomain.com>

Auto manuals search

<http://auto.somanuals.com>

TV manuals search

<http://tv.somanuals.com>