

Earlex[®] *Steam Caddy*[™]

Instant Steamer – Model IS2000
USER INSTRUCTIONS



PLEASE READ THESE INSTRUCTIONS CAREFULLY BEFORE USE

Thank you for purchasing an Earlex Instant Steam Cleaning Kit. In order to obtain the best results from this product, please read these instructions & make a special note of the Safety Rules before commencing any work.

EARLEX LTD. WILL ACCEPT NO RESPONSIBILITY FOR THE USE OF THIS PRODUCT IF USED FOR ANY OTHER PURPOSES THAN THOSE DETAILED HEREIN

RETAIN THESE INSTRUCTIONS FOR FUTURE REFERENCE

CONTENTS

Important Information

Check that your Steam Caddy is complete	3
Safety Rules	4
Safety Precautions	4
Steam Cleaning Delicate materials	4
About your Earlex Steam Caddy	5
Features Guide	7
Preparing your Steam Caddy for use	8
Using the main attachments	9
Using the mini attachments	11
Getting started	12
Cleaning & maintenance	13
Storing the unit	13
Trouble Shooting	14
Spare parts	14
Mains connection	15
Guarantee	16

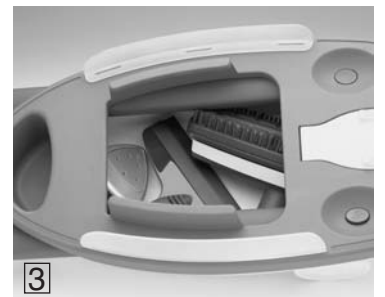
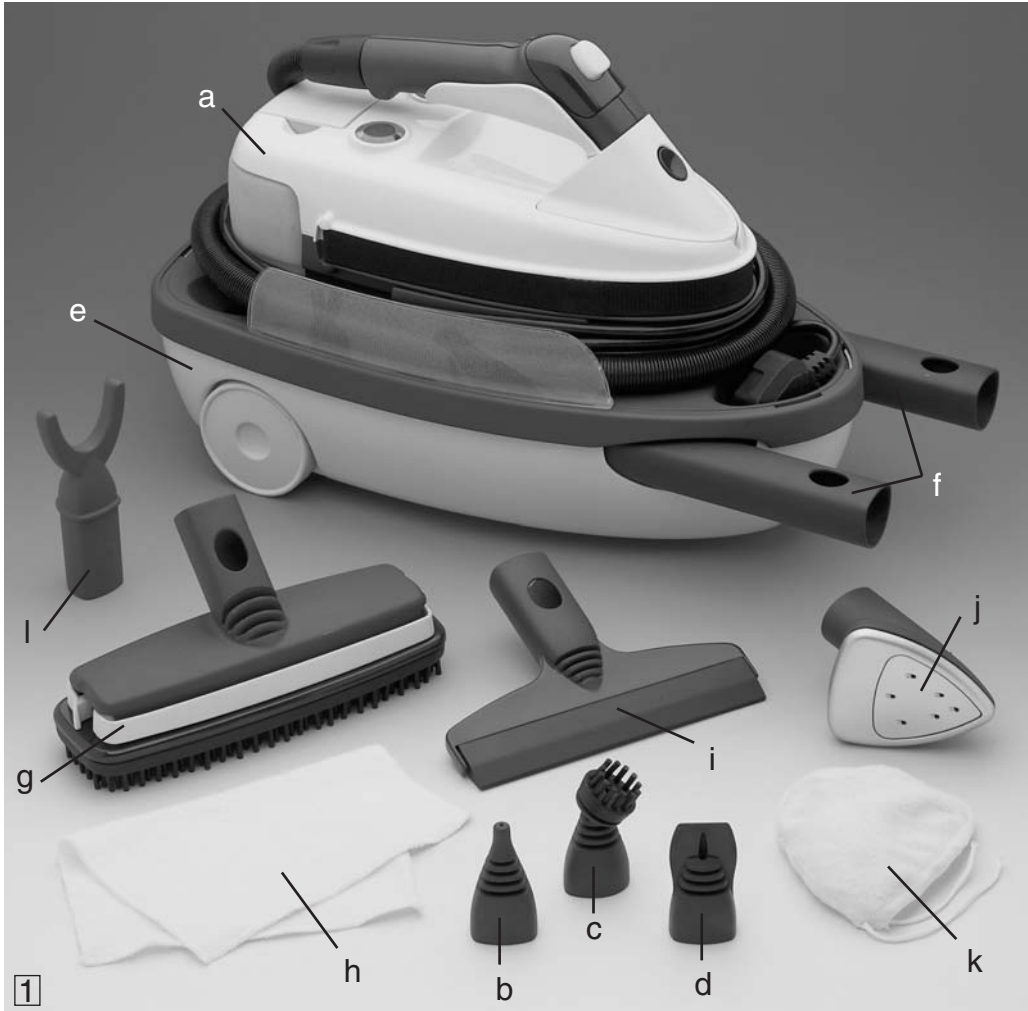


BEFORE PROCEEDING ANY FURTHER PLEASE CHECK THAT YOUR EARLEX STEAM CADDY IS COMPLETE.

HELPLINE NUMBER - 01483 454666. CALL FIRST IF YOU HAVE ANY PROBLEM

OPENING THE CARTON

When you open the carton, you will see a plain brown carton containing the Caddy unit, which has the 4 main attachments stowed inside and 2 Extension Tubes. This carton is on top of another plain brown carton, which contains the Boiler Unit, which has a recess in its underside where the three Mini Attachments are stored. The Hose and Handle and the Mains Lead are attached to the Boiler Unit. Check the list below to ensure your Steam Caddy is complete.



COMPONENT LIST

- a) Boiler Unit
- b) Jet Nozzle *
- c) Brush Nozzle *
- d) Scraper Nozzle *
- *These 3 tools are stored in a recess, in the underside of the boiler unit as illustrated in 2
- e) Caddy Unit
- f) 2 x Extension Tubes
- g) Floor Cleaner **
- h) Floor Cleaner Bonnet **
- i) Window/Tile Cleaner **
- j) Upholstery Cleaner/Clothes Steamer **
- k) Upholstery Cleaner/Clothes Steamer Bonnet **
- l) Clothing Attachment Rest **
- **These 6 items are stored in the caddy as illustrated in 3
- m) Instruction Manual (item not shown)
- n) Quick Reference Guide (item not shown)

Should any of these components be missing please phone our helpline and we will arrange immediate despatch of replacements.

HELPLINE NUMBER - 01483 454666. CALL FIRST IF YOU HAVE ANY PROBLEM

SAFETY RULES

- Keep equipment away from children and pets.
- If using the unit on stairs or at a height, always ensure that it has been properly blocked to prevent it falling off.
- Steam is produced at 100°C. Be careful, wear protective clothing and protect your hands with heat resistant gloves or mitts.
- Never point the steam at anyone.
- Never use unit outside when raining.
- Do not overfill water tank.
- Do not stand on the unit or the hose.
- Do not pull the unit by the Mains Lead, only by the Hose.
- Do not allow water or steam to enter light switches or power points.
- Do not leave unit unattended.
- Use only standard tap water. Never add detergents or chemicals for cleaning.
- Extreme care must be taken when using in bathrooms. Always be aware of electrocution from stored water in baths or sinks.
- It is recommended that a RCD (residual current device) rated at 30mA is fitted into the mains supply socket for added protection against electric shock.
- Use only genuine Earlex replacement parts, unless otherwise stated.
- Never direct steam towards equipment that contains electrical components.

CAUTION

STEAM IS HOT! Please be aware that steam is produced at 100°C – so be careful, wear protective clothing and protect your hands with heat resistant gloves or mitts. Be aware that during use, condensing steam will result in a small amount of hot water dripping from the attachments. Take extra care when cleaning with the attachments at higher levels, eg cleaning windows or tiles. When used for removing creases from clothes or curtains avoid water marks from dripping water by wiping the attachments occasionally with a dry cloth. The exposed parts of the Steam Caddy that become hot in use, and which the user is likely to touch in use, are coloured RED as an extra warning. Never touch these parts when the unit is in use. Any part of the Steam Caddy may be hotter than you expect, so always take extra care during or after use.

You will see this symbol  above the Steam Release button on the handle, to warn you about the presence of steam.

Quality control checks in our factory may result in a very small residue of water in the steam hose of the Steam Caddy. This is due to steam cooling in the hose. When you switch the unit on for the first time (and every time thereafter) and before the Steam Ready light comes on, there may be a short jet of hot water or steam ejected from the end of the tool, before or immediately after the Steam Button is pressed. Drain this water into a container, until only steam is produced, before starting your cleaning task.

Only submerge the end of the handle nozzle when descaling. Never submerge at any other time, with or without attachments fitted. Cooling steam will draw water up into the hose.

USING STEAM ON DELICATE MATERIALS

Always check the suitability of materials before steam cleaning. Steam is being generated at 100°C. Do not use on any surfaces that cannot withstand this temperature e.g. Draylon®, velour, delicate fabrics etc. Always test a small area of the material – preferably a portion that is normally unseen – and allow it to dry before starting the full cleaning task.

Do not soak materials being cleaned. Only a light application of steam is required.

We do not recommend using this product on self adhesive vinyl tiles.

HELPLINE NUMBER - 01483 454666. CALL FIRST IF YOU HAVE ANY PROBLEM

ABOUT YOUR EARLEX STEAM CADDY

INTRODUCTION

Thank you for purchasing an Earlex Steam Caddy. It is a totally unique steam cleaning system unlike any other currently available. It enables the user to complete numerous cleaning and other tasks around the home, in the garden and in the car. We hope you will use the Earlex Steam Caddy often to save you time, enhance the look of your home and keep it spotlessly clean.

The really unique aspect of the Steam Caddy is that you get three products in one. A hand held steamer, a floor mounted steamer and an upholstery/clothes steamer.



THE POWER & HYGIENE OF STEAM

The Steam Caddy will clean most surfaces and materials using only the power of steam. No chemicals, detergents or cleaning fluids are required. This not only helps to protect the environment but also saves the money normally spent on traditional cleaning products. The action of steam also removes any traces of powder or liquid cleaners previously used.

Using the heat and power of steam, the Earlex Steam Caddy is extremely effective in maintaining hygiene around your home. In the kitchen and bathroom, on carpets, and upholstery the action of steam can kill off many common bacteria. E-coli, Salmonella, Staphylococcus aureus and Pseudomonas aeruginosa are among the bacteria that the Steam Caddy can banish from all your living areas and give you peace of mind that your home is as clean as it can be.



WHERE TO USE YOUR STEAM CLEANER

The Earlex Steam Caddy can be used around your home to clean, brighten and restore the pile in your carpets. Even tiled, stone and sealed hard wood floors can be cleaned to make them look almost new. Clean and refresh the colour of your soft furnishings and upholstery, and remove unwanted creases and wrinkles from your clothes and curtains. The Steam Caddy has been cleverly designed to convert, very simply, to a clothes steamer that gives very professional results. With the instant steam availability and fast assembly as a garment steamer this means you can use this product regularly to keep your clothes looking their best.

In the kitchen and bathroom the Earlex Steam Caddy will both clean and sanitise. Cleaning around taps, toilets, all sanitary ware and tiles, will both improve the looks and ensure these areas are truly sanitised. Ceramic tiles will sparkle when soap deposits are removed, mirrors too will look like new. Removing burnt and caked on deposits from cookers becomes an easy task.

HELPLINE NUMBER - 01483 454666. CALL FIRST IF YOU HAVE ANY PROBLEM

The Earlex Steam Caddy is an extremely useful tool. It will remove traffic film from windows, clean venetian blinds and defrost freezers (check with freezer manufacturer). Outside of the home the Earlex Steam Caddy can be used to clean the barbecue, the deck of your lawnmower, sterilise soil and clean the interior of your car.



THREE STEAM CLEANERS IN ONE

Choosing how to use your Steam Caddy

The Steam Caddy is unique in that it can be used in three distinctly different ways.

As a hand held cleaning tool with the Boiler Unit carried over your shoulder. When cleaning around the bathroom, some kitchen areas and some windows, it is likely this will be the best way to use the Steam Caddy.



Or, with the Boiler fixed to the wheeled Caddy, free to be pulled behind you on the floor as you work. If cleaning flooring, for example, it will definitely be easier to use with the Caddy on the floor.



Or, as a clothes steamer. The Steam Caddy quickly converts to allow you to steam and clean your clothes in a professional way.

As you experiment with different jobs you will soon discover which way is best for you.



GET TO KNOW YOUR STEAM CLEANER

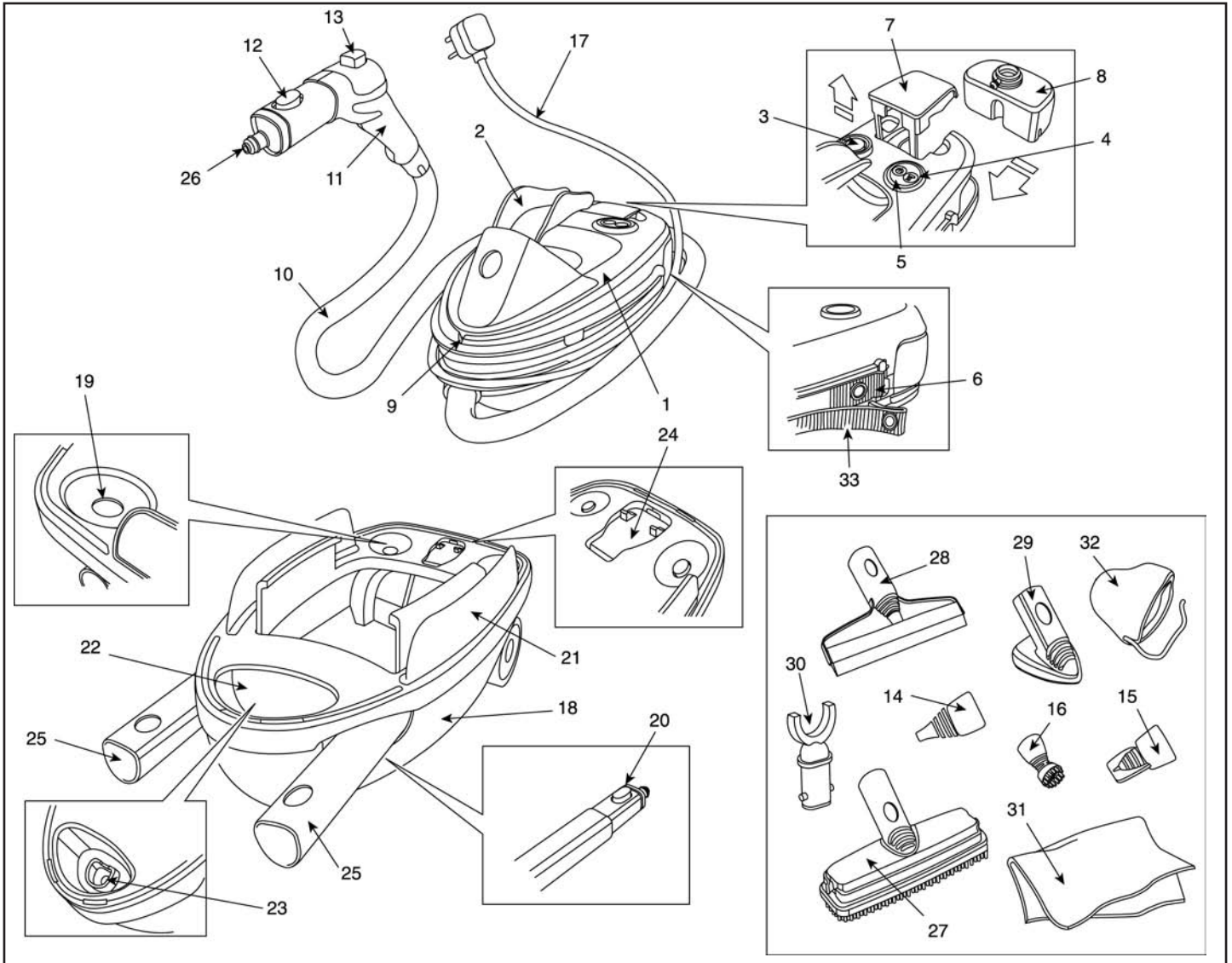
The Steam Caddy is designed for fast action and is ready for use in less than a minute. It is supplied with a range of different tools for different jobs. Take a little time to get to know these tools and how they can best be used for your cleaning jobs.

Where towelling bonnets are supplied with some of the tools, dirt will be absorbed by the towelling material, which is washable and can be replaced as necessary. Packs of replacement bonnets are available from Earlex Limited or you can make your own from Terry Towelling.

HELPLINE NUMBER - 01483 454666. CALL FIRST IF YOU HAVE ANY PROBLEM

FEATURES GUIDE

Refer to the following drawing & descriptions when reading this instruction leaflet.



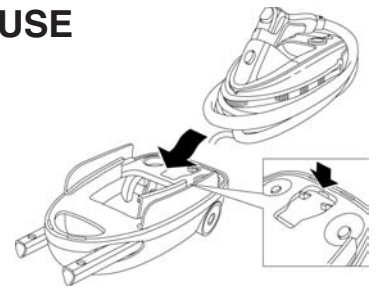
- | | |
|---------------------------------|--|
| 1 Boiler Unit | 18 Caddy |
| 2 Holster | 19 Location for Extension Tube Button |
| 3 On/Off Mains Switch | 20 Extension Tube Release Button |
| 4 "Heating Up" Neon Indicator | 21 Hose & Mains Cable Retainer |
| 5 "Steam Ready" Neon Indicator | 22 Plug Storage Recess |
| 6 Shoulder Strap Popper Release | 23 Socket for location of Extension Tubes for Clothing Attachment Rest |
| 7 Water Tank Lid | 24 Boiler Release Latch |
| 8 Water Tank | 25 Extension Tubes |
| 9 Drip Aperture | 26 Attachment Connection |
| 10 Steam Hose | 27 Floor Cleaner |
| 11 Handle | 28 Window/Tile Cleaner |
| 12 Handle Release Button | 29 Upholstery Cleaner/Clothes steamer |
| 13 Steam Release Button | 30 Clothing Attachment Rest |
| 14 Jet Nozzle | 31 Floor Cleaner Bonnet |
| 15 Scraper Nozzle | 32 Upholstery Cleaner/Clothes Steamer Bonnet |
| 16 Brush Nozzle | 33 Shoulder Strap |
| 17 Mains Cable | |

HELPLINE NUMBER - 01483 454666. CALL FIRST IF YOU HAVE ANY PROBLEM

PREPARING YOUR STEAM CADDY FOR USE

Fitting the Boiler Unit (1) to the Caddy (18)

Slide the Boiler into the centre of the Caddy until the yellow boiler release latch (24) locks into place. To remove, press the boiler release latch down and slide the Boiler backwards.



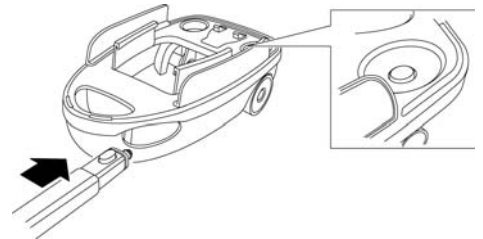
Storing the Handle (11), Hose (10) & Mains Cable (17)

With the Steam Handle uncoiled in front of the unit take the Mains Cable, and coil it tightly around the base of the Boiler above the steam hose outlet so that after 4½ turns the plug can be stored in the front recess (22). Then coil the hose 1½ turns until the Handle parks into its Holster (2). Press down the Handle Release Button (12) and push the Handle into the Holster so that the release button locks into its location. To remove, simply depress the release button and withdraw the Handle.



Storing and removing Extension Tubes (25)

Slide the Extension Tubes into the front of the Caddy, button end first and slide the tubes through the Caddy until the Release Button (20) aligns and fits into the location (19). To remove, simply depress the release button and withdraw the Extension Tube. Note: It will be easier to do this when the main attachments are not stored in the Caddy.



Using the Shoulder Strap (33)

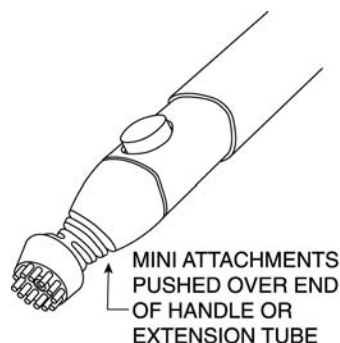
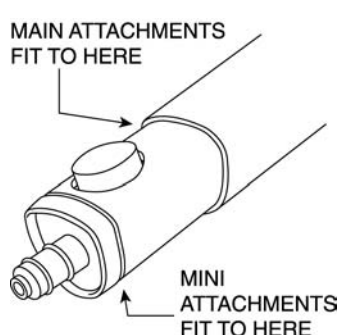
The Strap is used for the hand held function to enable the user to carry the Boiler unit over the shoulder. To unfasten the strap, release the popper (6) and pull the strap out at the front end of the Boiler until it is fully extended. The Boiler Unit can now be hung over your shoulder.



Fitting the Extension Tubes & Attachments

There are 3 Main Attachments (27, 28, 29), 3 Mini Attachments (14, 15, 16), 2 Extension Tubes and a Clothing Attachment Rest (30) to use with your Steam Caddy, depending on the job you want to do. All attachments are fitted either to the Extension Tubes or directly to the Handle, whichever is most suitable for the task in hand.

- The Main Attachments and the Extension Tubes fit over the release button.
- The Mini Attachments push tightly over just the front portion of the Handle or Extension Tube.



HELPLINE NUMBER - 01483 454666. CALL FIRST IF YOU HAVE ANY PROBLEM

USING THE MAIN ATTACHMENTS

Floor Cleaner (27)

Some carpets have stain resistant treatments, which may be affected by steam cleaning. Try cleaning a small area of carpet that is normally unseen, then allow 24 hours to check whether there have been any unusual effects on the carpet, e.g white streaks. If this happens **DO NOT CONTINUE TO USE** – Check with your carpet supplier for further advice.

On wax treated surfaces and floors the sheen may be removed by steam. Do not use on unsealed wood as this could destroy the integrity of the wood grain. Always check a small area first or check with the manufacturer.

The Floor Cleaner can be used in a number of ways and for a variety of purposes. You may need to experiment to find the best method of cleaning. The three options of use are:

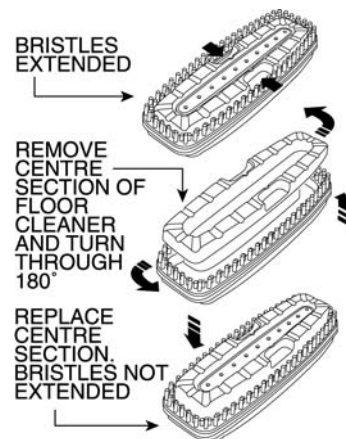
- With bristles extended – no Bonnet being used
- With bristles extended and a Bonnet (31) in use
- No bristles extended and a Bonnet (31) in use

In general, option (a) is likely to be used on stone or tiled floors where there are areas needing more vigorous action to clean thoroughly. This may, for instance, be the grouting between tiles that requires the bristles to help clear out dirt or grime.

Option (b) would be the normal use for any stone, tiled or solid floor.

Option (c) is for normal carpeted areas.

The Earlex Steam Caddy Floor Cleaner can be changed from having its bristles extended to not extended. This is achieved by repositioning the centre section of the Floor Cleaner. You will see in this centre section there are 2 finger grip cut outs which enable you to remove the section completely. Once removed, rotate the section through 180° and re-locate it in the Floor Cleaner. You will see the position of the bristles has changed.



Fitting the Bonnet (31) to the Floor Cleaner (27)

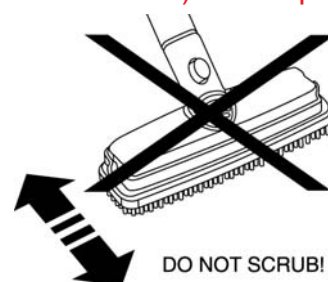
To fit the Bonnet, open the two yellow clips. Lay the Bonnet on a flat surface and place the Floor Cleaner in the centre of the Bonnet. Fold the Bonnet around the Floor Cleaner with the nap facing outwards and secure it in position by re-fixing the clips in place, making sure the Bonnet is pulled tight over the face of the Floor Cleaner.



Used correctly the Floor Cleaner will refresh and brighten your floor by removing surface grime, pet hairs etc. It is not a dirt extraction system, so it cannot remove deep stains or grease. Before using the Floor Cleaner, use a vacuum to pick up the larger dirt and grit particles. If there are stains on the carpet, pause for a few seconds to allow the steam to penetrate but do not use excessive steam as this could result in watermarking or permanent staining.

IMPORTANT - When cleaning hard floors there may be a small residue of water that will ultimately evaporate. If preferred, use a dry cloth attached to the Floor Cleaner (steamer turned off) and wipe area dry.

DO NOT SOAK THE SURFACE! - Glide the Floor Cleaner over the surface. It is generally better and easier, to pull rather than push the head across heavy pile carpets. Do not scrub the surface unless this is on tiles or stone. Used Bonnets can be washed out and re-used. Spare Bonnets are available from Earlex Limited or you can make your own using Terry Toweling material.



HELPLINE NUMBER - 01483 454666. CALL FIRST IF YOU HAVE ANY PROBLEM

Uses for your Floor Cleaner

The Floor Cleaner can be used on many types of surfaces such as ceramic, marble, linoleum, stone, parquet etc. Be especially careful with parquet – older oak floors are very tough but on some newer floors steam may cause the blocks to swell. Always take advice from the manufacturer of the floor covering before proceeding to use steam. One useful point to note is that steam will cause animal hairs, that have collected on floors and fabrics to roll into easily removable balls.

This attachment can also be used on car interiors, motor homes, painted doors, walls, louvers etc.

IMPORTANT - When cleaning hard floors there may be a small residue of water that will ultimately evaporate. If preferred, use a dry cloth attached to the Floor Cleaner (steamer turned off) and wipe area dry.

We do not recommend using this product on self adhesive vinyl tiles.

Window/Tile Cleaner (28)

When cleaning exterior glass be careful not to pick up grit particles on the rubber blade as this could scratch the glass.

Antique glass and stained glass may be brittle and can crack under extreme temperatures.

Do not use on glass when the temperature is below 0°C.

IMPORTANT – You should only proceed at your own risk



The Window Tile Cleaner can be used fitted directly onto the Hose Handle or fitted to one or both Extension Tubes, whichever is best for the job in hand.

As the attachment is moved down the window (mirror or tiles) and the Steam Release Button is pressed, the rubber blade will clean away the dirt as it wipes the surface after the steam has been applied. After you have completely finished cleaning, release the Steam Button and clean the surface from top to bottom with the rubber blade only. Excess water from around the window should be removed with a dry cloth.

Steam will completely remove dust, film or greasy marks from windows, mirrors, tiles and patio doors. It will remove soap and grease residues but cannot remove deposits of scale. To remove black marks from grouting or difficult corners use the mini attachments, Jet Nozzle, Brush Nozzle or Scraper Nozzle.

Upholstery Cleaner/Clothes Steamer (29)

IMPORTANT – Some upholstery, fabrics and soft furnishings have stain resistant treatments, which, may be affected by steam cleaning. Try cleaning a small area of material that is normally unseen, then allow 24 hours before checking whether there have been any unusual effects on the material. If so, DO NOT CONTINUE. Check with your material supplier for further advice. Do not allow the material to become soaked. You only require a small amount of steam to clean, and soaking can leave water marks or cause bleed through linings etc.



The Upholstery Cleaner can be used either with or without the Bonnet (32). For normal cleaning purposes and for general use the Bonnet would be fitted. When removing creases from garments and hanging curtains you can sometimes improve the appearance of the material by using the head without the Bonnet attached. It is best to experiment to get the best finish for you.

This tool can also be used either fitted directly onto the Hose Handle or fitted to one or both Extension Tubes. Firstly select which is best for the task in hand and assemble together.

HELPLINE NUMBER - 01483 454666. CALL FIRST IF YOU HAVE ANY PROBLEM

Fitting the Bonnet (32) to the Upholstery Cleaner (29)

Take the Bonnet, place it on a flat surface with the strings at the top and the nap facing outwards and place the Upholstery Cleaner in the middle. Pull the string until the Bonnet fits tightly to the Upholstery Cleaner, and tie with a bow.

When cleaning upholstery you will need to glide the head across the material in the same way as when using the Floor Cleaner. The bonnets will need to be replaced as they become dirty. Used bonnets can be washed and re-used. Wash at 90°C for maximum longevity. Do not use bleach or fabric conditioner and use only one third of normal soap powder to avoid clogging the fibres.

Spare Bonnets can be purchased from Earlex or you can make your own using Terry Toweling material.

The Upholstery Cleaner can also be used very effectively for removing the creases from hanging curtains.



Upholstery Cleaner/Clothes Steamer

To set up your Steam Caddy as a Clothes Steamer proceed as follows:-

In the Plug Storage Recess (22) there is a socket (23) to accept the button end of the Extension Tubes. Fit the Extension Tubes together and then locate both into this socket. Now fit the Clothing Attachment Rest (30) into the top of the Extension Tube. Your clothes can now be hung from this Clothing Attachment Rest using a normal coat hanger.

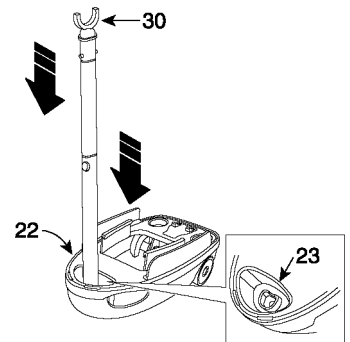
Press the Steam Release Button and pass the Clothes Steamer lightly across the surface to remove creases and wrinkles from your clothes.

We recommend that the unit remains on the floor and shorter garments are steam cleaned from a seated position as shown. Longer garments can be hung from a wardrobe rail or over the top of a door.

The Clothing Attachment Rest is used to "park" the Clothes Steamer safely in between steaming your clothes. It can also be used to park the Window/Tile Cleaner.



Please note, the Clothes Steamer is designed to refresh clothes (i.e. appearance & odour), it is not designed to be a replacement for your steam iron. If the yellow button on the handle is pressed continuously you may begin to see drips of water appear (this is due to the steam condensing in the tube), by using "bursts" of steam as opposed to "continuous" steam this will be reduced. If you should notice drips of water from the bonnet, you should stop steaming, and wait a few seconds before drying the Bonnet with a hand towel.

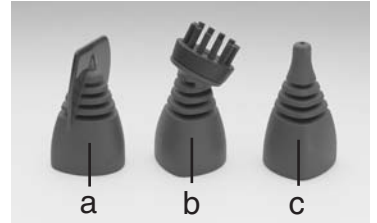


IMPORTANT – Some articles of clothing are made from very delicate materials. Always refer to the labels in the garment, or check with the shop where the garment was bought, before applying steam.

USING THE MINI ATTACHMENTS

The 3 Mini Attachments are stored in a recess underneath the boiler, for easy selection of the tool required. The 3 attachments supplied are:-

- a) Scraper Nozzle (15)
- b) Brush Nozzle (16)
- c) Jet Nozzle (14)



WARNING: THESE MINI ATTACHMENTS RUN VERY HOT IN USE. When changing the Mini Attachments, always use a cloth when holding the attachment to prevent burning your hands. Check attachments on a regular basis for any debris/scale build up.

The Mini Attachments are ideal for cleaning cookers, baths, toilets, work surfaces, tiles, sinks etc. The brush can be used to agitate areas that need that little bit extra abrasion. We recommend that you use these attachments in conjunction with a damp cloth. As an example – if you have baked on material on a cooker, aim the Jet Nozzle at the surface, press the Steam Button to release the steam and you should be able to easily wipe the surface clean. The damp cloth enables you to wipe away the waste material.

The Scraper Nozzle is ideal for very fast defrosting of freezers (check with freezer manufacturer), also for jobs such as removing the caked on grass from lawnmowers. Remember that steam both cleans and sanitises at the same time. So on work surfaces you are ensuring these are really clean.

As an optional extra (Code M0605) we offer a pack of 3 spare brushes each with different coloured bristles so you can keep these for separate jobs and always know which one to use.



Also available as an optional extra (Code M0630) we offer a pack of 2 brushes with metal bristles for cleaning barbecues.

GETTING STARTED

Before you use your Earlex Steam Caddy, make sure that you have read and followed all the safety instructions.

Decide how you want to use the Steam Caddy, as a hand held unit with the Boiler hung over your shoulder, with the Boiler unit fixed to the Caddy free to be pulled along on the floor, or set up as a Clothes Steamer. Refer to the section “Preparing your Steam Caddy for use” and fit together the various parts of the system to suit the job in hand.

Filling the Water Tank (8)

The Water Tank can be filled in two ways. Remove the Steam Handle from the Holster then either:

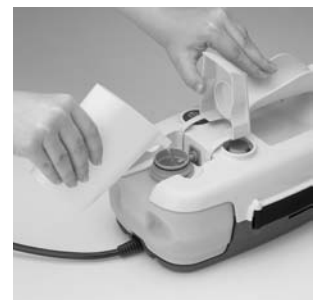
Lift the Water Tank Lid (7) and hold it out of the way, fill the Water Tank to the base of the filler neck (75cl) then replace the lid.

Or

Lift Water Tank Lid and pull the Water Tank out completely. Fill this from a tap to the base of the filler neck then replace it into the Boiler and replace the lid.

Note In hard water areas we recommend you use cooled boiled water.

The water in the tank should last for about 30 minutes but this can be refilled at any time and does not require the unit to be switched off. Nor do you have to wait for it to heat up again. Simply refill either in situ or at the tap and you can continue as before.

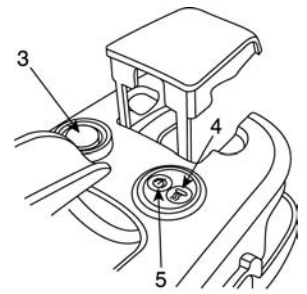


HELPLINE NUMBER - 01483 454666. CALL FIRST IF YOU HAVE ANY PROBLEM

Switch the Steam Caddy on

With the tank filled with water, plug the steamer into a mains socket and press the red ON/OFF mains switch (3) and this will illuminate to show the power is on. The amber "Heating Up" neon Indicator (4) will also light up.

After approximately 30 – 60 seconds the green "Steam Ready" neon Indicator (5) will light up to tell you that the unit is ready to use and instant steam is available.



Steam Release Button (13)

To deliver instant steam just press the Steam Release Button.

The Steam Release Button gives complete control over the delivery of steam. Once the water heats up and the "Steam Ready" neon is lit, steam will be delivered only when the Steam Release Button is depressed. This means that you produce the exact amount of steam you need, when you need it. Normally steam will be delivered within two or three seconds of the button being depressed and stop within a few seconds of the button being released, giving you complete control of the steamer.



The Steam Caddy is also extremely safe. The Steam Button has no electric wires connected to it. Instead a pneumatic system is used to operate the delivery of the steam.

Once the Steam Caddy is ready to use, begin to move the attachment head over the surface to be cleaned at a steady pace, pressing the Steam Button as required.

WARNING: Quality control checks in our factory may result in a very small residue of water in the Steam Hose of the Steam Caddy. This is due to steam cooling in the hose. When you switch the unit on for the first time (and every time thereafter) and before the Steam Ready light comes on, there may be a short jet of hot water or steam ejected from the end of the tool, before or immediately after the Steam Button is pressed. Drain this water into a container, until only steam is produced, before starting your cleaning task.

Only submerge the end of the handle nozzle when descaling. Never submerge at any other time, with or without attachments fitted. Cooling steam will draw water up into the hose.

CLEANING AND MAINTENANCE

The Boiler Unit must be unplugged after use and before cleaning or before any maintenance.

There is very little maintenance required for this machine. To clean after use, simply ensure the unit is switched off at the mains then wipe it over with a damp cloth. Wipe all tools down and wash out any used bonnets.

Periodically check Attachments, Extension Tubes, Nozzle Connections and Handle Nozzle Connection for a build up of debris or lime-scale and remove as necessary.

Wash bonnets at 90°C for maximum longevity. Do not use bleach or fabric conditioner. Use only one third of normal soap powder to avoid clogging of the fibres.

Spare bonnets are available from Earlex Limited or you can make your own using Terry Toweling material.

DE-SCALING

The information below, only applies in hard water areas or where some lime scale is evident.

To keep your Earlex Steam Caddy “boiler” working at its best, you will need to use a de-scaling solution to reduce the effects of “lime scale” build up within the boiler. Proprietary de-scaling products can be used, however, they need to be clearly marked that they are suitable for Kettles, Coffee Makers, Steam Irons etc. We would also recommend that you use a liquid de-scaler to prevent any possible clogging up of the internal pipes.

Before de-scaling, move appliance to a well ventilated area.

When de-scaling, place the nozzle only (26) into a bucket containing around 40/50mm of clean warm water, this will prevent any fumes that may be given off by the de-scaler. A “popping” sound may be heard from the bucket, this is due to the hot steam mixing with the warm water. After de-scaling the unit, always run the unit with clean water to remove any lasting de-scaler residue from within the boiler and pipes.

For maximum efficiency of the boiler this process should be repeated every 8 hours of use.

WHEN USING ANY DE-SCALER PRODUCT ALWAYS ABIDE BY THE MANUFACTURES INSTRUCTIONS.

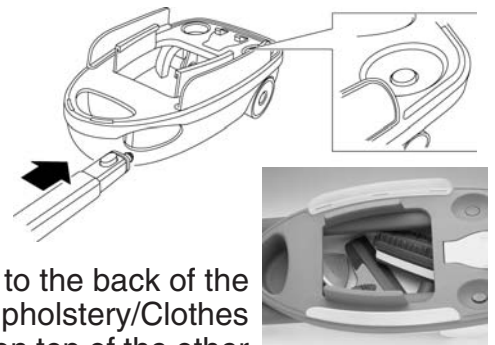
STORING THE UNIT

Caddy

You will find it easiest to locate the Extension Tubes first, followed by the Main Attachments.

a) Slide the tubes into their apertures at the front of the Caddy. Insert the button end first and slide the tubes through the Caddy until the Release Button aligns and locates into it's docking aperture.

b) Now place the Main Attachments into the space between the 2 Extension Tubes. You will find it easiest to place the Floor Cleaner to the back of the Caddy with the Window/Tile Cleaner in the middle and the Upholstery/Clothes Steamer at the front. The Clothing Attachment Rest should be laid on top of the other three attachments. (Clothing Attachment Rest not shown in illustration for clarity.)



Boiler

a) Ensure that the Strap is fully retracted and clipped back into position.

b) Ensure the Water Tank is emptied.

With the Water Tank removed, press the Steam Release Button to run the unit. As soon as you

hear a loud buzzing sound from the Boiler, release the Steam Release Button. This will purge the Boiler of water and reduce the risk of limescale build up.

c) Slide the Boiler into the centre of the Caddy until the yellow Boiler Release Latch, locks into place.

d) Take the Mains Lead, and coil it tightly around the base of the Boiler so that after 4½ turns the plug can be stored in the front recess. Then coil the hose 1½ turns until the Handle parks into it's Holster. Press down the Handle Release Button and push the Handle into the Holster so that the release button locks into its docking aperture.

The unit can now be carried either by the Holster or by the Plug Storage Recess. The unit can be stored on the flat or be leaned against a wall.



HELPLINE NUMBER - 01483 454666. CALL FIRST IF YOU HAVE ANY PROBLEM

TROUBLE SHOOTING

PROBLEM	CAUSE	ACTION
Unit fails to boil	Not switched on Fuse has blown	Check that mains is switched on and the switch on the unit has also been operated - Push button will illuminate Check fuse in plug and any extension lead that is in use
Accessories fall off	Not properly fitted	Review fitting instructions. See page 8
Water spitting out	Too much water in tank Initial ejection at warm up Not heated up	Reduce the water level Press steam release button for initial discharge until steam is produced. See page 13 Wait for Steam Ready neon Indicator to light
Loud buzzing noise from inside the Boiler unit	No water in the tank	Refill the Water Tank
Steam being emitted from emergency vent at the the back of the Water Tank	Pressure relief valve is operating due to blockage of steam	Switch off the unit Allow the unit to cool for at least 5 minutes. Check all steam holes in the Attachment, and Nozzle Connections in the Handle and Extension Tubes being used, to ensure there is no debris or lime-scale preventing steam from passing through them and clean out accordingly. The build up of lime-scale can be avoided by always using cooled, boiled water when filling the Water Tank.

SPARE PARTS

The following spare parts are available from Earlex Ltd. Please contact our helpline to place your order.

SPARE PART NO.	SPARE PART DESCRIPTION	REF NO ON P. 7
M0001	Floor Cleaner	27
M0050	Upholstery Cleaner/Clothes Steamer	29
M0075	Clothing Attachment Rest	30
M0090	Window/Tile Cleaner	28
M0110	Extension Tube	25
M0290	Jet Nozzle	14
M0295	Scraper Nozzle	15
M0310	Water Tank Lid	7
M0530	Water Tank	8
M0580	Brush Nozzle	16
M0605	Brush Nozzle kit, different colours (3 pieces)	N/A
M0610	Upholstery Cleaner/Clothes Steamer Bonnet (3 pieces)	32
M0611	Floor Cleaner Bonnet (3 pieces)	31
M0615	"O" Ring set for Water Tank	N/A
M0616	"O" Ring set for Nozzle Connection (6 pieces)	N/A
M0630	Brush Nozzle kit with metal bristles (2 pieces)	N/A

HELPLINE NUMBER - 01483 454666. CALL FIRST IF YOU HAVE ANY PROBLEM

IF YOU REQUIRE FURTHER ASSISTANCE PLEASE CONTACT OUR HELPLINE ON
Tel: 01483 454666 Fax: 01483 454548 email: enquiries@earlex.co.uk
Opening Hours: Monday – Friday 08:30 – 18:00 (Except Bank Holidays)

MAINS CONNECTION

Your unit has been supplied with a non re-wireable plug fitted to the mains lead. A non re-wireable plug is easily identified because it has a fuse holder set in its base. Please read the following safety instructions, which refer to the use of a non re-wireable plug.

- 1) If the non re-wireable plug is cut off from the mains lead, the plug must be immediately disposed of, safely. It must NEVER be plugged into a 13amp socket.
- 2) NEVER under any circumstances use the appliance without the fuse cover fitted. This is the little cover fixed into the base of the plug to hold the fuse in place.
- 3) If you lose the fuse cover then please contact any electrical dealer for a replacement or ring our helpline.
- 4) A replacement fuse must be rated at 10amp. The fuse must be manufactured and approved to BS1362.
- 5) IF IN ANY DOUBT PLEASE CONSULT AN ELECTRICIAN.

If you need to fit a re-wireable plug to the Mains Lead, this should be done in accordance with the wiring instructions shown below, and will need to be fitted with a 10amp fuse. If in doubt please consult an electrician.

WARNING: THIS APPLIANCE MUST BE EARTHED. If you are using an extension lead it must be rated at a minimum of 10amps and fully unwound. Do not operate with a lead rated at less than 10amps as this will cause premature failure of the elements and will not be covered by the guarantee.

As the colours of the wires in the Mains Lead of the unit may not correspond with the coloured markings identifying the terminals in your plug, proceed as follows;

The wire which is coloured green and yellow must be connected to the terminal which is marked with the letter E, or by the earth symbol, or coloured green, or green and yellow.

The wire which is coloured blue must be connected to the terminal which is marked with the letter N or coloured black.

The wire which is coloured brown must be connected to the terminal which is marked with the letter L or coloured red.

GUARANTEE

This product is guaranteed for a period of 12 months against faulty materials and workmanship. Whilst every possible care is taken by Earlex to ensure that our products leave the factory in good working order, Earlex cannot under any circumstances accept liability for problems or damage caused by their subsequent use. It is the responsibility of the user to ensure the surfaces to be treated or cleaned are suitable for steam. This guarantee does not affect your statutory rights. This guarantee excludes the use for hire purposes. In the event of a fault occurring please contact our helpline before returning the unit to our Service Department at the address below together with a copy of your purchase receipt. All repairs will be dealt with speedily.

British Registered Design: No. 3014006 : European Community Registered Design No. 000115365

Australian Registered Design No. 155594 : Chinese Registered Design No. 200430001190.6

International Patent GB2004/02177 : Canadian Registered Design No. 105550

US Registered Design No. 29/196.773 : Japanese Registered Design No. 2004-2805

EC DECLARATION OF CONFORMITY

We declare that the IS2000 conforms to: 73/23/EEC, EN60335-2-54, 89/336/EEC, EN55014-1-2, EN61000-3-2, 3-3.



Tim Hopper - Technical Director



Earlex Ltd, Earlex House, Moorfield Road, Guildford, Surrey GU1 1RU. UK

Tel: +44 (0) 1483 454666 Fax: +44 (0) 1483 454548 email: enquiries@earlex.co.uk Website: www.earlex.co.uk

© 2004 Earlex Ltd

Code M0500 07/04

Free Manuals Download Website

<http://myh66.com>

<http://usermanuals.us>

<http://www.somanuals.com>

<http://www.4manuals.cc>

<http://www.manual-lib.com>

<http://www.404manual.com>

<http://www.luxmanual.com>

<http://aubethermostatmanual.com>

Golf course search by state

<http://golfingnear.com>

Email search by domain

<http://emailbydomain.com>

Auto manuals search

<http://auto.somanuals.com>

TV manuals search

<http://tv.somanuals.com>