

Specification

Nominal Basket Diameter	8-3/16", 209mm
Nominal Impedance	8-Ohms
Power Rating	80 Watts
Resonance	395Hz
Usable Frequency Range	395Hz - 5kHz
Sensitivity	96.3 dB
Magnet Weight	42.2 oz.
Voice Coil Diameter	1.5" 38.6mm

Thiele & Small Parameters

Resonant Frequency (fo)	395Hz \pm 15%
DC resistance (Re)	6.5 Ohms
Coil Inductance (Le)	367.888m mH
Mechanical Q (Qms)	3.896
Electromagnetic Q (Qes)	1.662
Total Q (Qts)	1.165
Compliance Equivalent Volume (Vas)	.75 liters / .0624 cu.ft.
Mechanical Compliance of Suspension (Cms)	11.806mm/N
BL Product (BL)	11.557 T-M
Diaphragm Mass (Mmd)	12.001 grams
Maximum Linear Excursion (Xmax)	1.6 mm
Surface Area of Cone (Sd)	211.241 cm

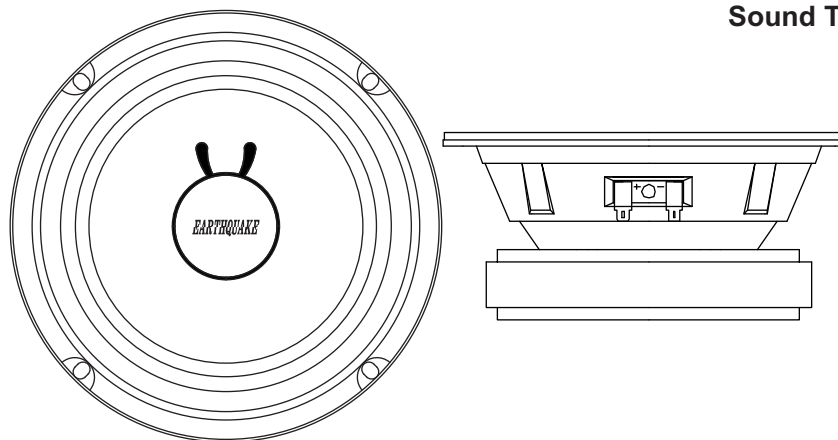
Mounting Information

Recommended Enclosure Volume	
Sealed	liters/ ft3
Vented	liters/ ft3
Overall Diameter	8 3/16", 209mm
Cut Out Diameter	7 1/8", 181mm
Front Sealing Gasket	fitted as standard
Rear Sealing Gasket	fitted as standard
Mounting Holes Diameter	4-5.5 x 10mm
Depth	2-15/16", 88mm

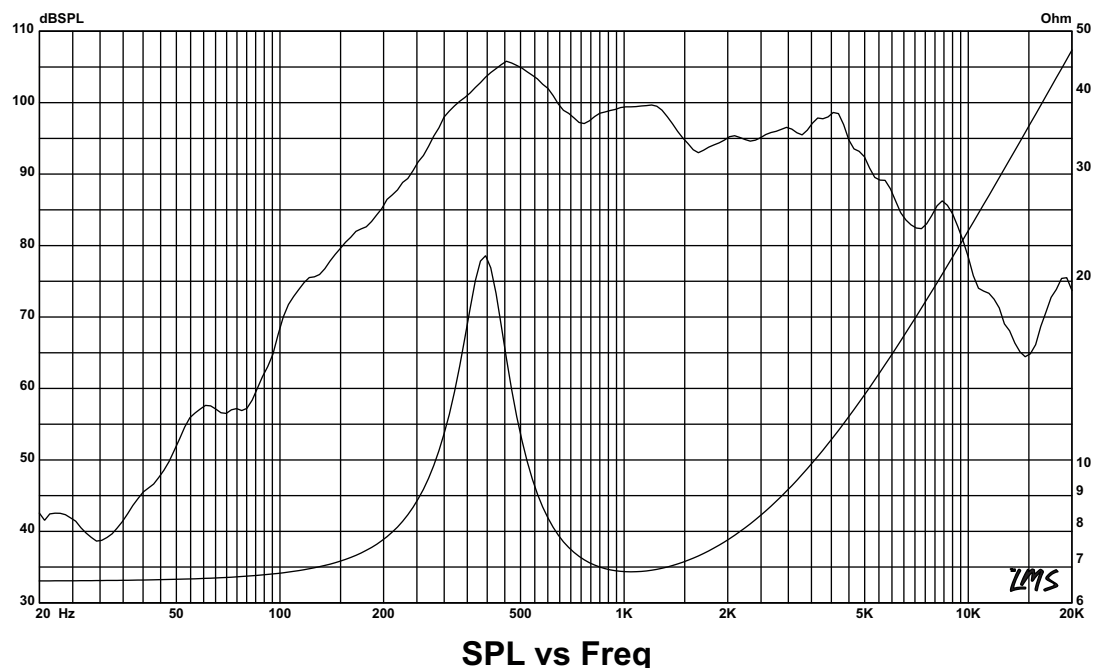
Materials of Construction

Copper voice coil
Polyimide former
Ferrite magnet
Vented and extended core
Stamped steel basket
Paper cone
Cloth surround
Solid composition paper dust cap

EARTHQUAKE
SOUND
Sound That Will Move You



Earthquake EQ8S8 Pro Audio Series



Earthquake Sound Corporation
2727 McCone Avenue • Hayward, CA 94545 • phone: 800-576-7944
fax: 510-732-1095 • www.earthquakesound.com

Free Manuals Download Website

<http://myh66.com>

<http://usermanuals.us>

<http://www.somanuals.com>

<http://www.4manuals.cc>

<http://www.manual-lib.com>

<http://www.404manual.com>

<http://www.luxmanual.com>

<http://aubethermostatmanual.com>

Golf course search by state

<http://golfingnear.com>

Email search by domain

<http://emailbydomain.com>

Auto manuals search

<http://auto.somanuals.com>

TV manuals search

<http://tv.somanuals.com>