

## Specification

Nominal Basket Diameter	10", 254mm
Nominal Impedance	8-Ohms
Power Rating	160 Watts
Resonance	46.1 Hz
Usable Frequency Range	47 Hz - 4.8 kHz
Sensitivity	94
Magnet Weight	38.29 oz.
Voice Coil Diameter	2.5", 63.5mm

## Thiele & Small Parameters

Resonant Frequency (fs)	46.1 Hz
DC resistance (Re)	6.8 Ohms
Coil Inductance (Le)	0.857 mH
Mechanical Q (Qms)	6.04
Electromagnetic Q (Qes)	0.43
Total Q (Qts)	0.40
Compliance Equivalent Volume (Vas)	60.1 liters / 2.1 cu. ft.
Mechanical Compliance of Suspension (Cms)	0.18mm/N
BL Product (BL)	13.6 T-M
Diaphragm Mass (Mmd)	35.9 grams
Maximum Linear Excursion (Xmax)	4.0mm
Surface Area of Cone (Sd)	0.0380 sqM

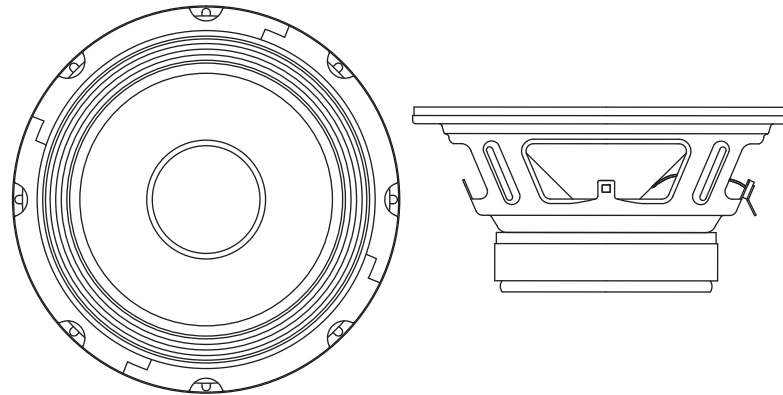
## Mounting Information

Recommended Enclosure Volume	
Sealed	
Vented	1.0-2.1 ft3
Overall Diameter	10.157", 258.5mm
Cut Out Diameter	9.25", 235mm
Front Sealing Gasket	fitted as standard
Rear Sealing Gasket	fitted as standard
Mounting Holes Diameter	0.28" x 0.20" , 7.2mm x 5.2mm
Mounting Depth	4.15", 105.5mm

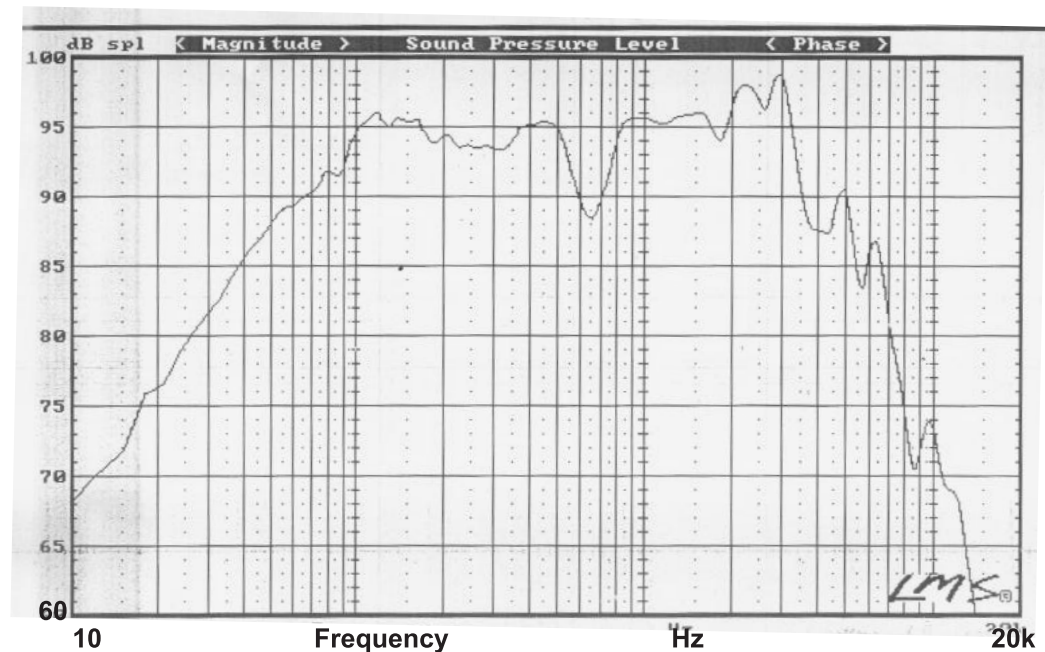
## Materials of Construction

Aluminum voice coil  
Polyimide former  
Ferrite magnet  
Vented and extended core  
Stamped steel basket  
Paper cone  
Cloth surround  
Solid composition paper dust cap

**EARTHQUAKE**  
**EARTHQUAKE**  
**SOUND**  
Sound That Will Move You.



## Earthquake EQ108 Pro Audio Series



Earthquake Sound Corporation  
2727 McCone Avenue • Hayward, CA 94545 • phone: 800-576-7944  
fax: 510-732-1095 • www.earthquakesound.com

## Free Manuals Download Website

<http://myh66.com>

<http://usermanuals.us>

<http://www.somanuals.com>

<http://www.4manuals.cc>

<http://www.manual-lib.com>

<http://www.404manual.com>

<http://www.luxmanual.com>

<http://aubethermostatmanual.com>

Golf course search by state

<http://golfingnear.com>

Email search by domain

<http://emailbydomain.com>

Auto manuals search

<http://auto.somanuals.com>

TV manuals search

<http://tv.somanuals.com>