

Specification

Nominal Basket Diameter	12-1/4", 310 mm
Nominal Impedance	8-Ohms
Max Power Rating	400 Watts
Resonance	319 Hz
Usable Frequency Range	280 Hz - 6 kHz
Sensitivity	97 dB (2.83V/1M)
Magnet Weight	50 oz.
Voice Coil Diameter	1.97", 50 mm

Thiele & Small Parameters

Resonant Frequency (Fs)	319 Hz
DC resistance (Re)	6.8 Ohms
Coil Inductance at Fs (Lces)	1.179 mH
Mechanical Q (Qms)	5.72
Electromagnetic Q (Qes)	2.88
Total Q (Qts)	1.91
Compliance Equivalent Volume (Vas)	--
Mechanical Compliance of Suspension (Cms)	--
BL Product (BL)	--
Diaphragm Mass (Mmd)	--
Maximum Linear Excursion (Xmax)	4.0mm
Surface Area of Cone (Sd)	--

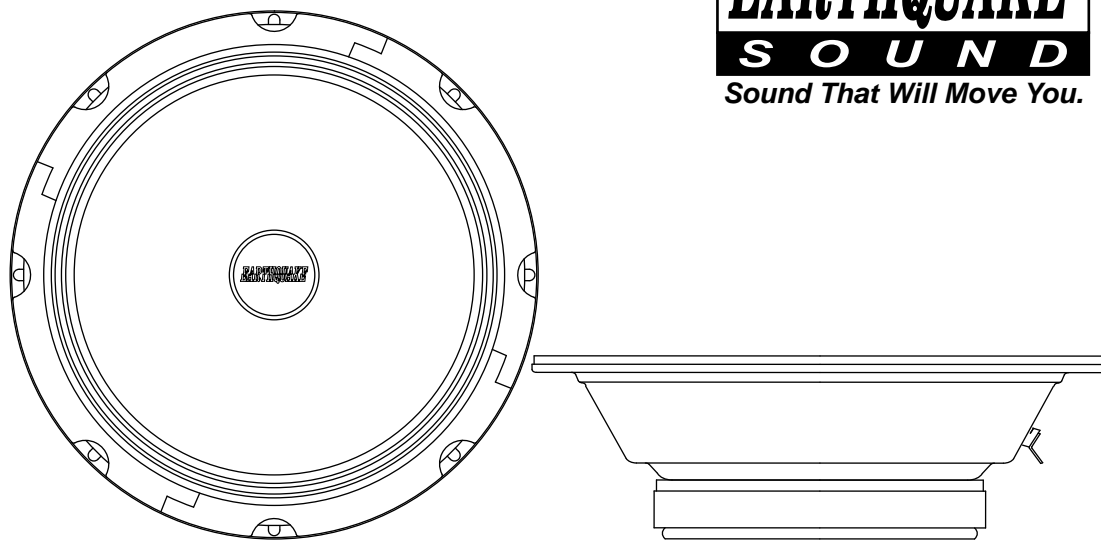
Mounting Information

Recommended Enclosure Volume	
Sealed	
Vented	1.0-2.1 ft ³ , 28.3-59.5 liters
Overall Diameter	12-1/4", 310 mm
Cut Out Diameter	11-1/16", 281 mm
Front Sealing Gasket	fitted as standard
Rear Sealing Gasket	fitted as standard
Mounting Holes Diameter	5/16" x 3/8", 7 mm x 9 mm
Mounting Depth	4-9/16", 116 mm

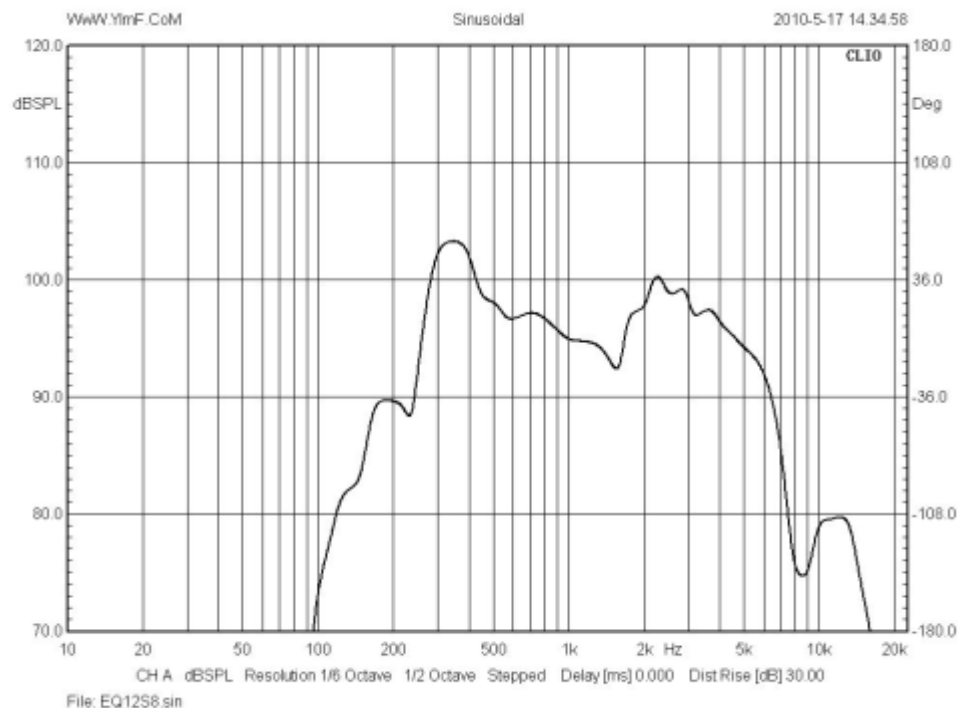
Materials of Construction

Aluminum voice coil
Polyimide former
Ferrite magnet
Vented and extended core
Stamped steel basket
Paper cone
Cloth surround
Solid composition paper dust cap

EARTHQUAKE
SOUND
Sound That Will Move You.



Earthquake EQ12S8 Pro Audio Series



Earthquake Sound Corporation
2727 McCone Avenue • Hayward, CA 94545 • phone: 800-576-7944
fax: 510-732-1095 • www.earthquakesound.com

Free Manuals Download Website

<http://myh66.com>

<http://usermanuals.us>

<http://www.somanuals.com>

<http://www.4manuals.cc>

<http://www.manual-lib.com>

<http://www.404manual.com>

<http://www.luxmanual.com>

<http://aubethermostatmanual.com>

Golf course search by state

<http://golfingnear.com>

Email search by domain

<http://emailbydomain.com>

Auto manuals search

<http://auto.somanuals.com>

TV manuals search

<http://tv.somanuals.com>