

## Specification

Nominal Basket Diameter	6-5/8", 169.5mm
Nominal Impedance	8-Ohms
Power Rating	60 Watts
Resonance	377Hz
Usable Frequency Range	377Hz - 5kHz
Sensitivity	93.2
Magnet Weight	37.8 oz.
Voice Coil Diameter	1 3/8", 30.5mm

## Thiele & Small Parameters

Resonant Frequency (fs)	377.331Hz ±15%
DC resistance (Re)	6.5 Ohms
Coil Inductance (Le)	278.353mH @ 1kHz
Mechanical Q (Qms)	4.122
Electromagnetic Q (Qes)	1.720
Total Q (Qts)	1.214
Compliance Equivalent Volume (Vas)	436.075mLtr/0.015 ft3
Mechanical Compliance of Suspension (Cms)	16.905mm/N
BL Product (BL)	9.711 T-M
Diaphragm Mass (Mmd)	9.624 grams
Maximum Linear Excursion (Xmax)	0.2mm
Surface Area of Cone (Sd)	134.782 sqM

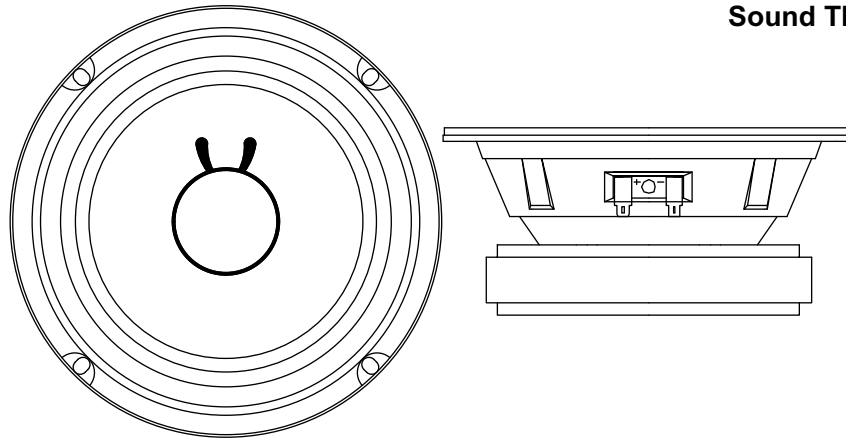
## Mounting Information

Recommended Enclosure Volume	
Sealed	
Vented	
Overall Diameter	6-5/8", 169.5mm
Cut Out Diameter	5-5/8", 142mm
Front Sealing Gasket	fitted as standard
Rear Sealing Gasket	fitted as standard
Mounting Holes Diameter	0.27" x 0.21" , 7.0mm x 5.5mm
Depth	2-7/8", 71.7mm

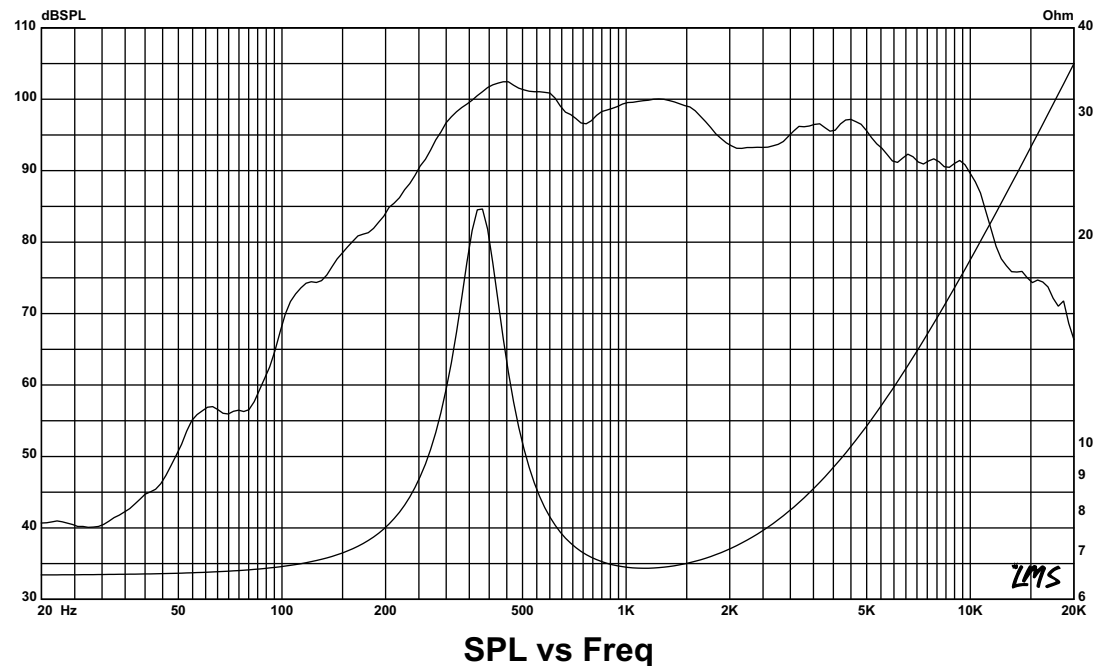
## Materials of Construction

Copper voice coil  
Polyimide former  
Ferrite magnet  
Vented and extended core  
Stamped steel basket  
Paper cone  
Cloth surround  
Solid composition paper dust cap

**EARTHQUAKE**  
**SOUND**  
Sound That Will Move You



## Earthquake EQ6S8 Pro Audio Series



Earthquake Sound Corporation  
2727 McCone Avenue • Hayward, CA 94545 • phone: 800-576-7944  
fax: 510-732-1095 • www.earthquakesound.com

## Free Manuals Download Website

<http://myh66.com>

<http://usermanuals.us>

<http://www.somanuals.com>

<http://www.4manuals.cc>

<http://www.manual-lib.com>

<http://www.404manual.com>

<http://www.luxmanual.com>

<http://aubethermostatmanual.com>

Golf course search by state

<http://golfingnear.com>

Email search by domain

<http://emailbydomain.com>

Auto manuals search

<http://auto.somanuals.com>

TV manuals search

<http://tv.somanuals.com>