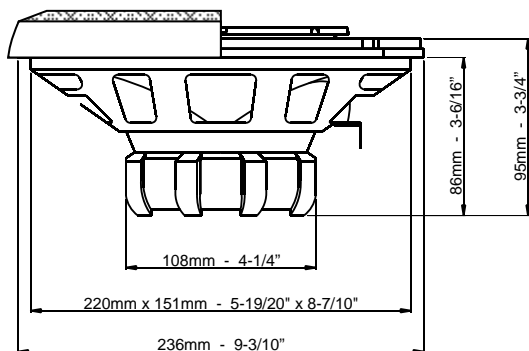


TNT - T693 Specifications and Installation

FEATURES

- Low mass poly injection cone body that delivers precision sound quality
- High flow ventilation stamped steel basket design
- Large butyl rubber surround for more accurate bass
- NOMEX / ROMEX spider assembly for linear cone travel and durability
- Shallow mount design for American or foreign cars and trucks
- 2" (66mm) mylar mid-range and over 1" (30mm) mylar super tweeter both of which deliver an exceptionally high frequency for all ranges of music.



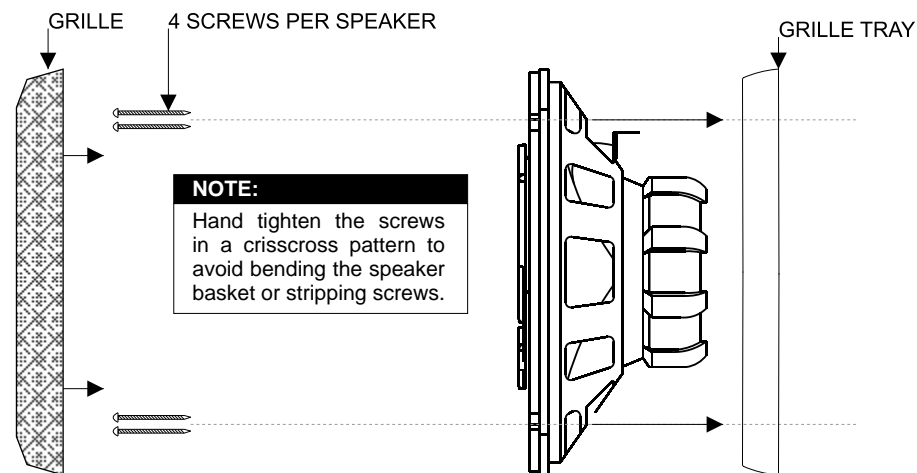
SPECIFICATIONS

Model	T693
Diameter (inches)	6" x 9"
Diameter (mm)	152.4mm x 228.6mm
Description	3-Way
Impedance	4-Ohm
Frequency Response	20Hz - 22kHz
Sensitivity	90dB
Power Handling	600 Watts

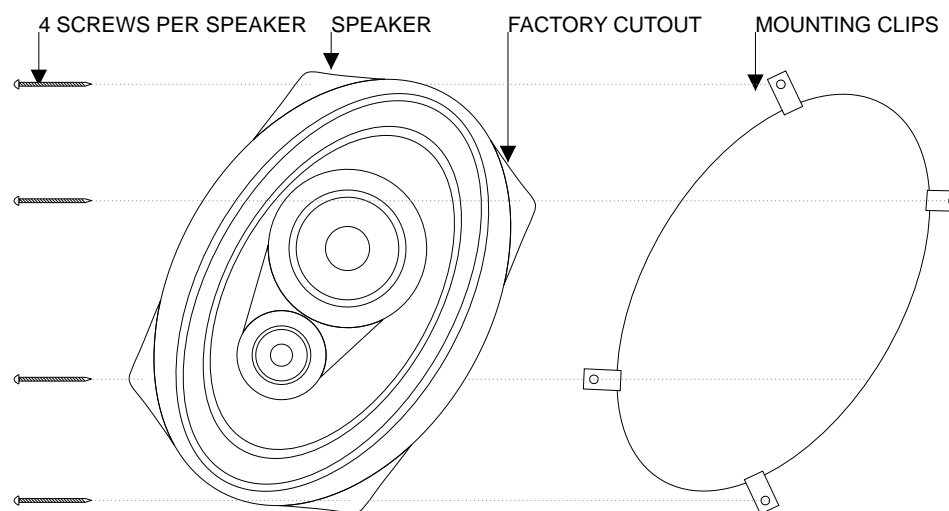
INSTALLATION

Grilles	Yes
Mounting Diameter (inches)	5-19/20" x 8-7/10"
Mounting Diameter (mm)	151mm x 220mm
Mounting Depth (inches)	3-6/16"
Mounting Depth (mm)	86mm

CUSTOM SPEAKER INSTALLATION



FACTORY REPLACEMENT INSTALLATION



Free Manuals Download Website

<http://myh66.com>

<http://usermanuals.us>

<http://www.somanuals.com>

<http://www.4manuals.cc>

<http://www.manual-lib.com>

<http://www.404manual.com>

<http://www.luxmanual.com>

<http://aubethermostatmanual.com>

Golf course search by state

<http://golfingnear.com>

Email search by domain

<http://emailbydomain.com>

Auto manuals search

<http://auto.somanuals.com>

TV manuals search

<http://tv.somanuals.com>