

DISCLAIMER OF WARRANTIES AND LIMITATION OF LIABILITY

The information, recommendations, descriptions and safety notations in this document are based on Eaton Electrical Inc. and/or Eaton Corporation's ("Eaton") experience and judgment and may not cover all contingencies. If further information is required, an Eaton sales office should be consulted.

Sale of the product shown in this literature is subject to the terms and conditions outlined in appropriate Eaton selling policies or other contractual agreement between Eaton and the purchaser.

THERE ARE NO UNDERSTANDINGS, AGREEMENTS, WARRANTIES, EXPRESSED OR IMPLIED, INCLUDING WARRANTIES OF FITNESS FOR A PARTICULAR PURPOSE OR MERCHANTABILITY, OTHER THAN THOSE SPECIFICALLY SET OUT IN ANY EXISTING CONTRACT BETWEEN THE PARTIES. ANY SUCH CONTRACT STATES THE ENTIRE OBLIGATION OF EATON. THE CONTENTS OF THIS DOCUMENT SHALL NOT BECOME PART OF OR MODIFY ANY CONTRACT BETWEEN THE PARTIES.

In no event will Eaton be responsible to the purchaser or user in contract, in tort (including negligence), strict liability or otherwise for any special, indirect, incidental or consequential damage or loss whatsoever, including but not limited to damage or loss of use of equipment, plant or power system, cost of capital, loss of power, additional expenses in the use of existing power facilities, or claims against the purchaser or user by its customers resulting from the use of the information, recommendations and descriptions contained herein.

The information contained in this manual is subject to change without notice.



PowerChain Management is a trademark of Eaton Corporation. All other trademarks are property of their respective owners.

© 2008 Eaton Corporation
All Rights Reserved
Printed in USA
Publication No. IL01301016E
October 2008

Eaton Corporation
Electrical Group
1000 Cherrington Parkway
Moon Township, PA 15108
United States
877-ETN CARE (877-386-2273)
Eaton.com

Installation and Removal Instructions for Series NRX Drawout Cassette Primary Adapters

Table of Contents

Description	Page
Section 1: General Information	1
Section 2: Rear Mounted Connections	2

▲ WARNING

- (1) Only qualified electrical personnel should be permitted to work on the equipment.**
- (2) Always de-energize primary and secondary circuits when performing these procedures.**
- (3) Drawout circuit breakers should be levered (racked) out to the Disconnect position.**
- (4) All circuit breakers should be switched to the off position and mechanism springs discharged.**

Failure to follow these steps for all procedures described in this instruction leaflet could result in death, bodily injury, or property damage.

Section 1: General Information

Standard flat primary terminal pads with tapped holes on the rear of a drawout cassette provide for a variety of primary connection configurations. Dove tail shaped mounting slots are provided for mounting Eaton supplied interphase barriers (Figure 1).

Rear connected primary adapters are available for front and rear bus connections and front cable connections:

- Straight Bus Adapter (Figure 2)
- Universal Bus Adapter (Figure 3)
- Cable Adapter (Figure 4)

Figure 1 Drawout Cassette (rear view)

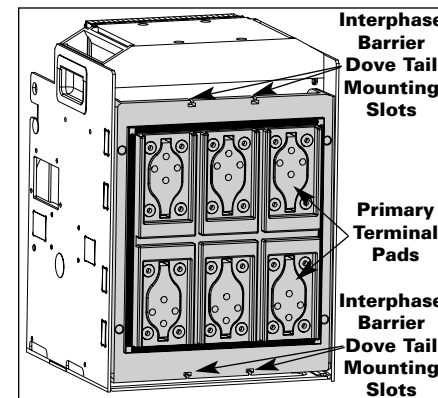


Figure 2 Straight Bus Adapter

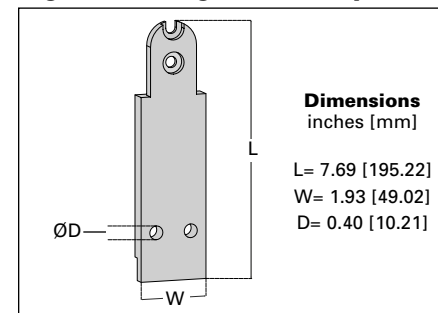


Figure 3 Universal Bus Adapter

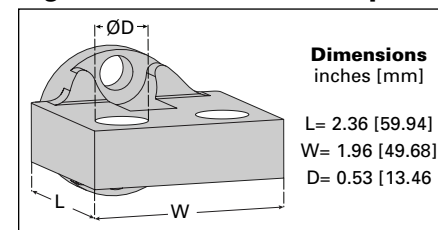
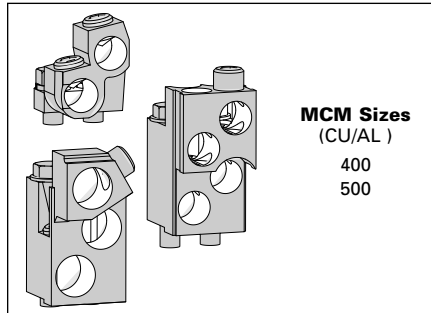


Figure 4 Typical Cable Adapters

Section 2: Rear Mounted Connections

⚠ CAUTION

When making bolted connections to the equipment or to the adapters themselves, all which have pre-tapped holes, it is important not to exceed the recommended torque values. In addition, any connection hardware used should be the exact length required and not extend out past the mounting hole. Failure to follow these requirements could result in equipment damage and/or failure.

⚠ IMPORTANT

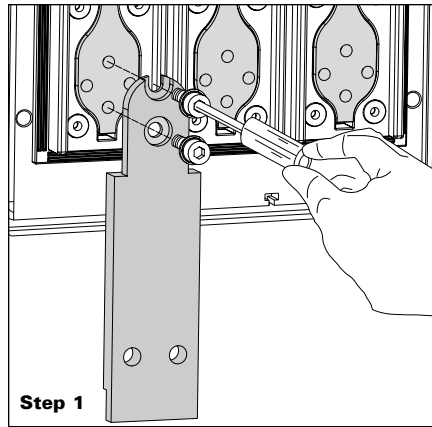
It is recommended that appropriate interphase barriers be installed between inside and outside primary terminals with all rear connected configurations to insure insulation integrity. If interphase barriers are ordered from Eaton, installation instructions are provided with the barriers (IL01301021E).

Straight Bus Adapter

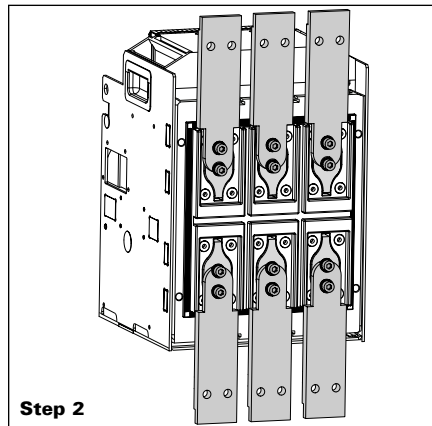
Proceed with the following 3 steps:

Step 1: Bolt a straight bus adapter to the vertically positioned mounting holes of a primary terminal pad as shown using the hardware provided.

Torque the bolted connection to 120 in-lbs (13.6 N-m) using a torque wrench.



Step 2: Complete all six adapter connections (eight for 4-pole) in a similar fashion with the three line adapters pointing up and the three load adapters pointing down as shown.

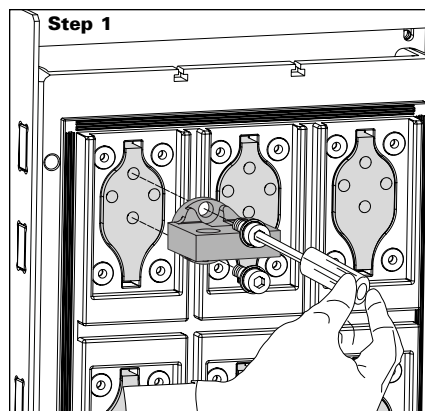


Step 3: Reverse the procedure just described to remove the adapters.

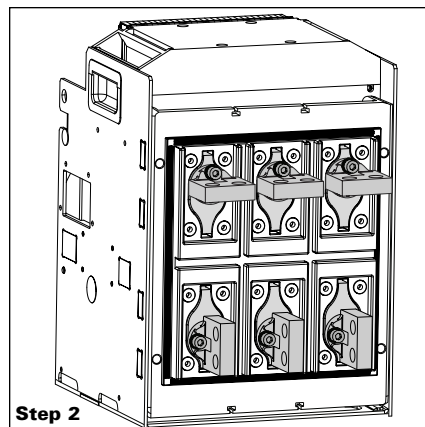
Universal Bus Adapter

Proceed with the following 3 steps:

Step 1: Bolt a universal bus adapter to the vertically positioned mounting holes of a primary terminal pad for a horizontal bus connection or to the horizontally positioned mounting holes for a vertical bus connection as shown using the hardware provided. Torque the bolted connection to 120 in-lbs (13.6 N-m) using a torque wrench.



Step 2: Complete all six adapter connections (eight for 4-pole) in a similar fashion. The line and load adapters can be mounted in opposite directions as shown.

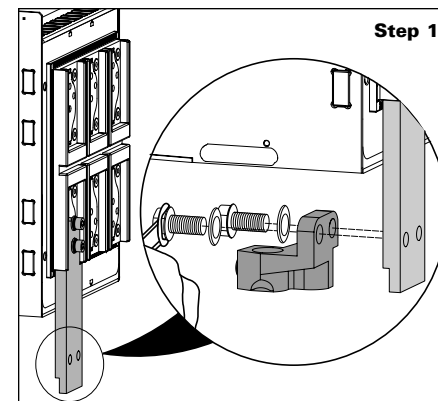


Step 3: Reverse the procedure just described to remove the adapters.

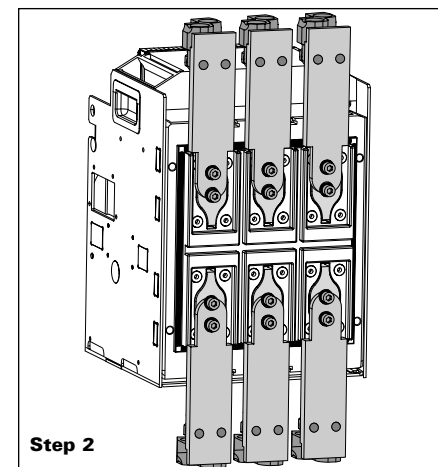
Cable Adapter

Proceed with the following 4 steps:

Step 1: A cable adapter can be bolted directly to the straight bus adapter using the hardware provided as shown. Torque the bolted connection to 240 in-lbs (27 N-m) using a torque wrench.



Step 2: Complete all six cable adapter connections (eight for 4-pole) in a similar fashion. Make certain that the adapters are mounted pointing in the proper direction as shown.



Step 3: Reverse the procedure just described to remove the adapters.

Step 4: When making the actual cable connections, properly torque

the cable retaining setscrews. Refer to Table 1 for details specific to cable adapters available from Eaton. Periodically check all mounting hardware for proper torque loading.”

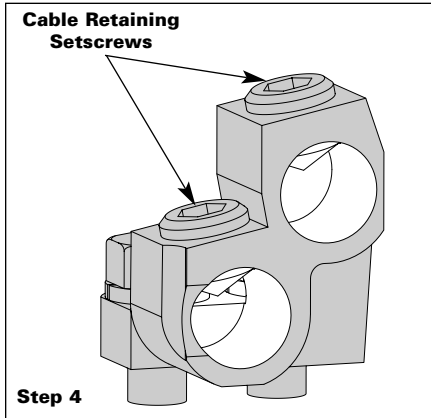


Table 1 Available Adapter Details

Catalog ^① #	Wire Range		Cond. Mat'l	Torque	
	MCM	MM ²		in-lbs	N-m
TA700NB1(M)	#1-500(2)	50-240(2)	CU/AL	375	42.4
TA1000NB1(M)	3/0-400(3)	95-185(3)	CU/AL	375	42.4
TA1200NB1(M)	4/0-500(4)	120-240(4)	CU/AL	375	42.4

① The “M” suffix at the end of the catalog number designates metric threads.

Free Manuals Download Website

<http://myh66.com>

<http://usermanuals.us>

<http://www.somanuals.com>

<http://www.4manuals.cc>

<http://www.manual-lib.com>

<http://www.404manual.com>

<http://www.luxmanual.com>

<http://aubethermostatmanual.com>

Golf course search by state

<http://golfingnear.com>

Email search by domain

<http://emailbydomain.com>

Auto manuals search

<http://auto.somanuals.com>

TV manuals search

<http://tv.somanuals.com>