



---

**OPTIONAL ATTACHMENTS & ACCESSORIES**

**Accessories**

99944100025 Rain Gutter Kit

99944200300 Yard Shield

**RePower Maintenance Kits**

90107 Tune-Up Kit

**PARTS CATALOG**

**PB-251 Power Blower**

**25.4cc**

**SERIAL NUMBERS**

S/N: 09001001 - 09999999

---

***ECHO, INCORPORATED***

400 Oakwood Road Lake Zurich, Illinois 60047 USA

WWW.ECHO-USA.COM



# Table of Contents

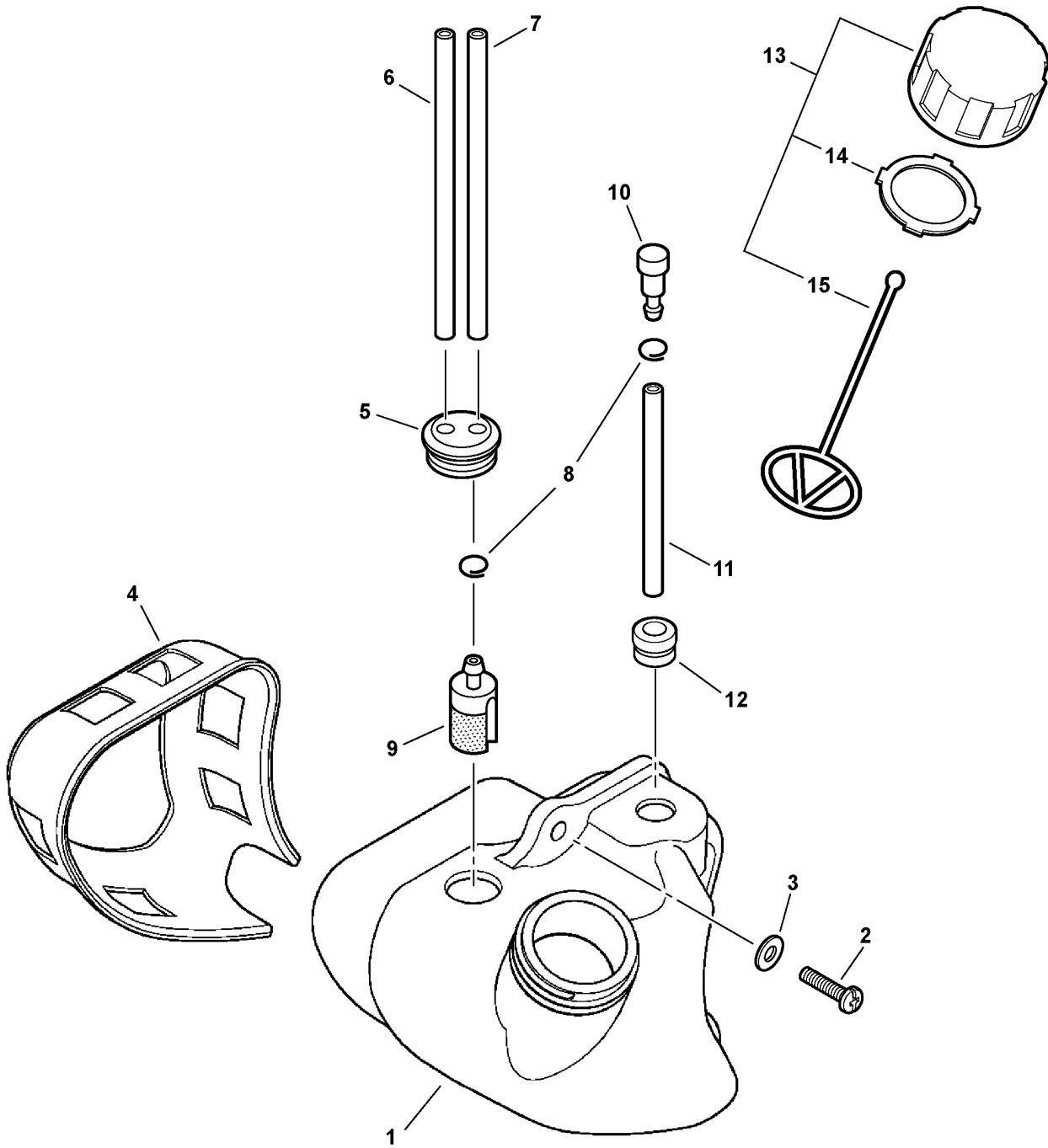
---

Click Any Diagram Description Below To View That Diagram.

## **PB-251 S/N: 09001001 - 09999999**

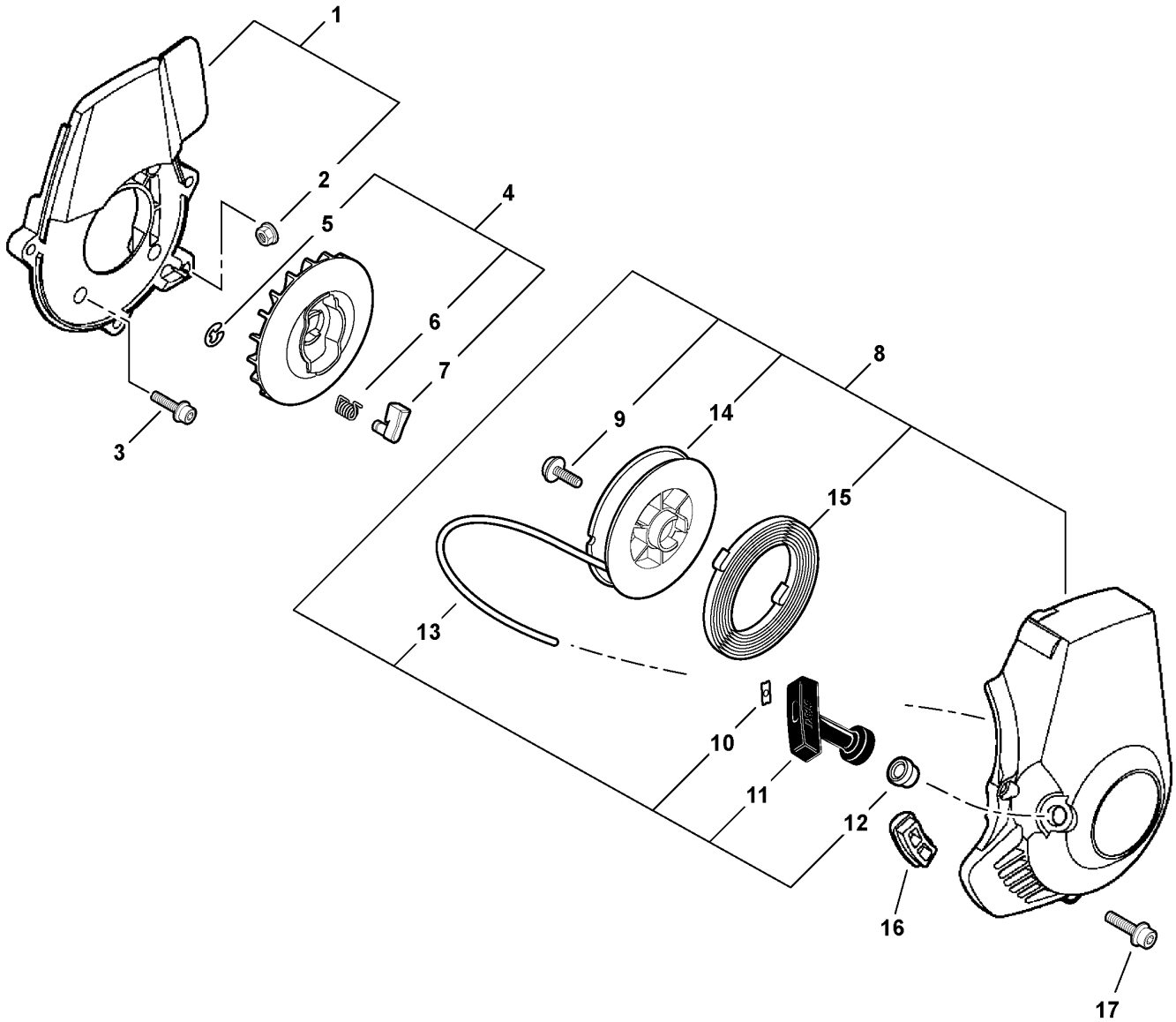
Fuel System.....	4
Starter.....	6
Intake.....	8
Carburetor -- RB-K85.....	10
Exhaust.....	12
Handle, Switch, Throttle Cable.....	14
Blower Tubes.....	16
Fan Housing.....	18
Ignition, Cylinder Cover.....	20
Engine, Short Block - SB1092.....	22
Labels.....	24
Gasket Kit -- P021012350.....	26
Part Number Index.....	28
Part Description Index.....	29

***This Page Intentionally Left Blank***



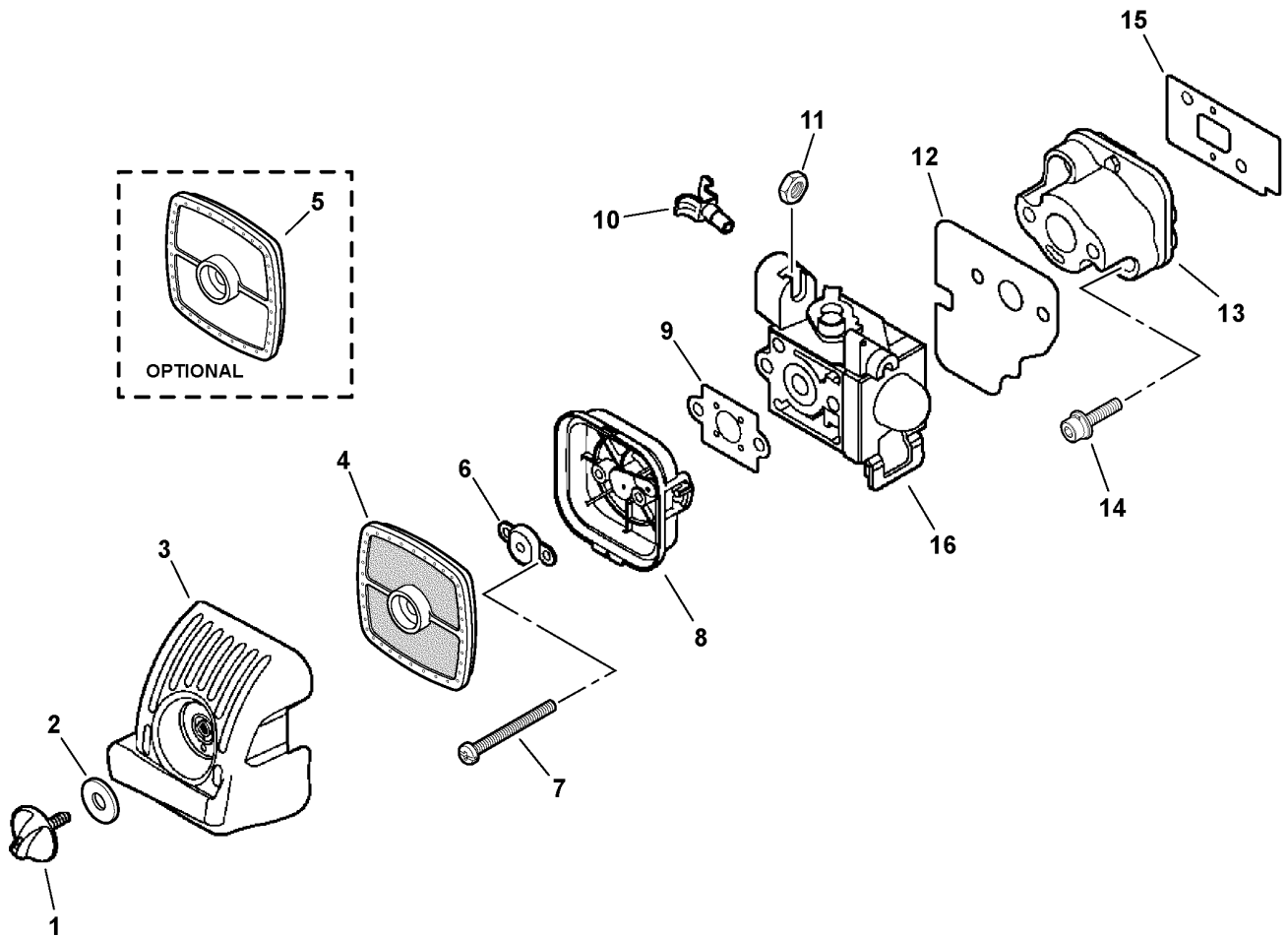
002 0012 000

ITEM	PART NUMBER	QTY	DESCRIPTION	REMARKS
1	A350000510	1	TANK, FUEL	
2	90025305020	2	SCREW 5X20 - TAPPING	
3	90060300005	2	WASHER	
4	V420001430	1	CUSHION	
5	13211544330	1	GROMMET	
6	13201049730	1	PIPE, RETURN - 3X6X85mm	REPOWER BULK OPTION: 90017
7	V471001860	1	PIPE, FUEL - 3X5X175mm	REPOWER BULK OPTION: 90014
8	13201309820	2	CLIP	
9	13120507320	1	FILTER, FUEL	
10	A356000030	1	VENT ASY	
11	V471001220	1	PIPE, VENT - 3X5X50mm	REPOWER BULK OPTION: 90014
12	13211501461	1	GROMMET	
13	13100455530	1	CAP ASY - ORANGE	INCLUDES ITEMS 14-15
14	13101655830	1	GASKET, CAP	
15	13105156030	1	CONNECTOR, CAP	



004 0017 000

ITEM	PART NUMBER	QTY	DESCRIPTION	REMARKS
1	V376000900	1	SPACER ASY	INCLUDES ITEMS 2-3
2	V263000070	1	FLANGE NUT 5	
3	90016304016	4	SCREW 4X16	
4	A052000200	1	STARTER PAWL ASY	INCLUDES ITEMS 5-7
5	90070000004	2	E-RING 4	
6	17723412220	2	SPRING, RETURN	
7	P022006850	2	PAWL	
8	A051001060	1	STARTER, RECOIL	INCLUDES ITEMS 9-15
9	17723644330	1	SCREW	
10	17724611120	1	RETAINER	
11	17722827030	1	GRIP, STARTER	
12	17722742030	1	GUIDE, ROPE	
13	P022008260	1	ROPE, STARTER - 3X700mm	REPOWER BULK OPTION: 99944440000
14	17721544430	1	PULLEY	
15	17722042030	1	SPRING, REWIND	
16	V420001440	1	CUSHION	
17	90010605014	3	SCREW 5X14	



005 0017 000

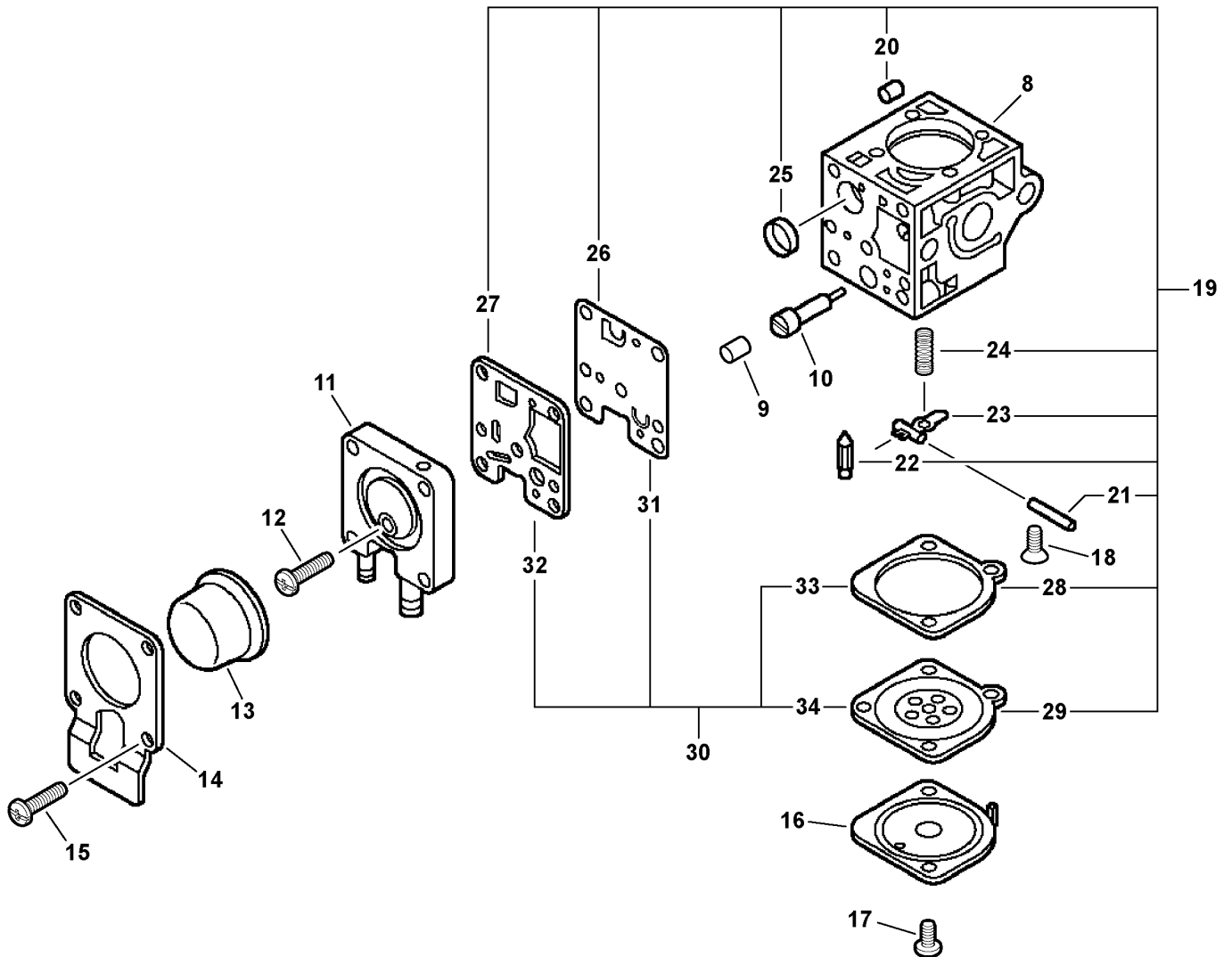
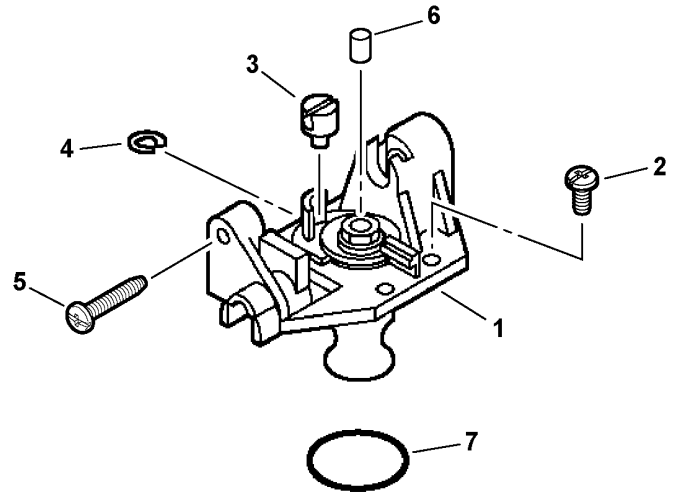


ITEM	PART NUMBER	QTY	DESCRIPTION	REMARKS
1	V299000250	1	THUMB SCREW	
2	13191103460	1	WASHER	
3	A232000340	1	LID, AIR CLEANER	
4	A226000470	1	FILTER, AIR - DOUBLE LAYER <sup>1</sup>	
5	A226000350	1	FILTER, AIR - SINGLE LAYER	OPTIONAL
6	A244000070	1	PLATE, PREVENT	
7	90010505060	2	SCREW 5X60	
8	P021010980	1	AIR CLEANER CASE ASY	
9	13001642031	1	GASKET, INTAKE <sup>2</sup>	
10	C480000070	1	GUIDE, CABLE	
11	V264000050	1	NUT 6	
12	V103000400	1	GASKET, INTAKE <sup>2</sup>	
13	A200000280	1	INSULATOR	
14	90016205025	2	SCREW 5X25	
15	V103000390	1	GASKET, INTAKE <sup>2</sup>	
16	-----	1	CARBURETOR	See Carburetor Diagrams For Additional Information

**Footnotes**

**1:** Also Included In REPOWER TUNE-UP

**2:** Also Included In Gasket Kit

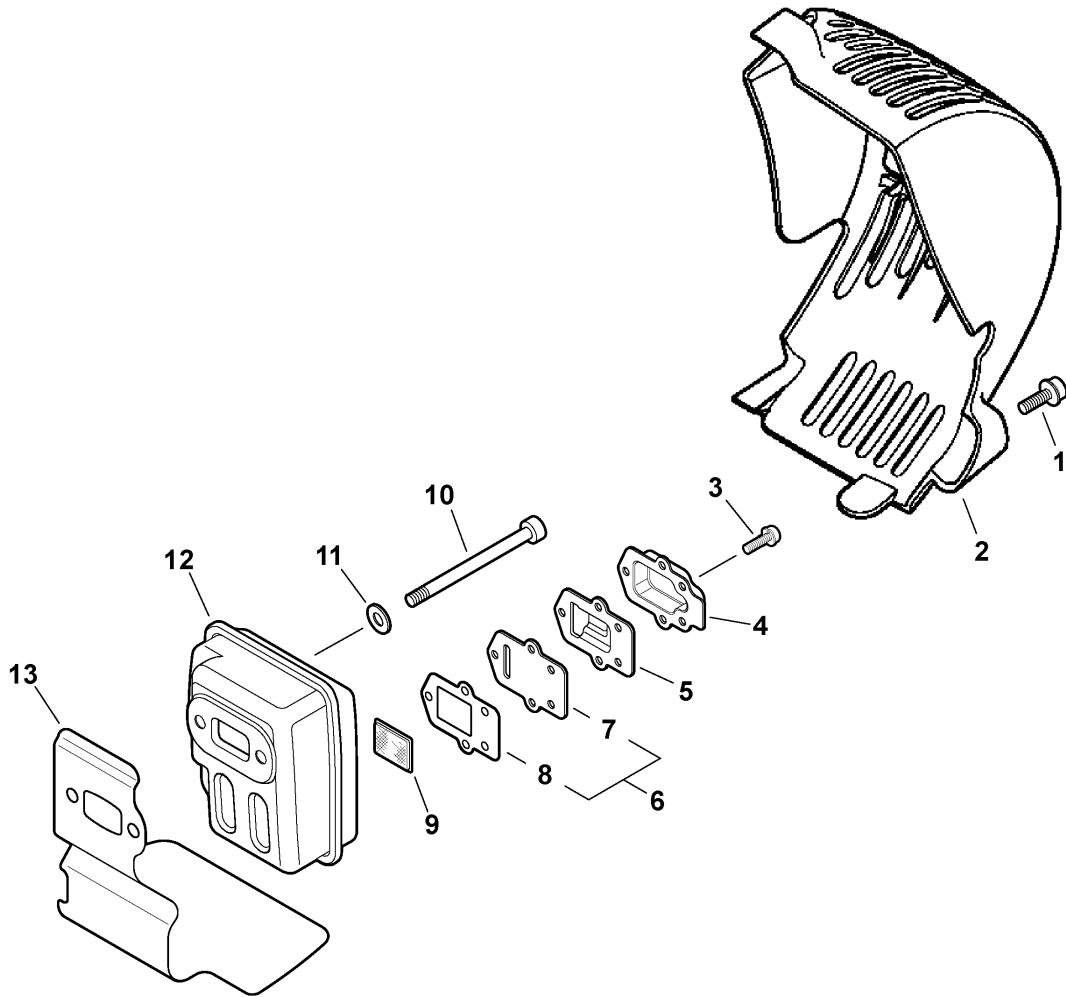


RBK85 0000 000

ITEM	PART NUMBER	QTY	DESCRIPTION	REMARKS
	A021001350	1	CARBURETOR -- RB-K85	
1	P005002000	1	ROTOR COVER ASY	
2	12534413931	3	SCREW, ROTOR COVER	
3	P005001240	1	SWIVEL	
4	P005000190	1	E-RING	
5	P005000100	1	SCREW, THROTTLE ADJUST	
6	P005001270	1	PLUG	
7	P005000280	1	O-RING	
8	-----	1	BODY, CARBURETOR <sup>1</sup>	
9	P005001270	1	PLUG	
10	P005001260	1	NEEDLE - HIGH SPEED	
11	P005001890	1	PURGE BASE ASY	
12	P005000270	1	SCREW, PURGE BASE ASY	
13	12538108660	1	BULB, PURGE	
14	P005000250	1	RETAINER, PURGE BULB	
15	P005001900	4	SCREW, RETAINER	
16	12534252130	1	COVER, DIAPHRAGM	
17	12534452130	2	SCREW, DIAPHRAGM COVER	
18	12533942030	1	SCREW, METERING LEVER PIN	
19	P005001670	1	REPAIR KIT	INCLUDES ITEMS 21-30
20	P005001000	1	ROLLER, GUIDE	
21	-----	1	PIN, METERING LEVER	
22	-----	1	VALVE, INLET NEEDLE	
23	-----	1	LEVER, METERING	
24	-----	1	SPRING, METERING LEVER	
25	-----	1	STRAINER	
26	-----	1	DIAPHRAGM, PUMP	
27	-----	1	GASKET, PUMP	
28	-----	1	GASKET, METERING DIAPHRAGM	
29	-----	1	DIAPHRAGM, METERING	
30	P005001660	1	DIAPHRAGM/GASKET KIT	INCLUDES ITEMS 32-35
31	-----	1	DIAPHRAGM, PUMP	
32	-----	1	GASKET, PUMP	
33	-----	1	GASKET, METERING DIAPHRAGM	
34	-----	1	DIAPHRAGM, METERING	

**Footnotes**

1: NOT AVAILABLE SEPARATELY

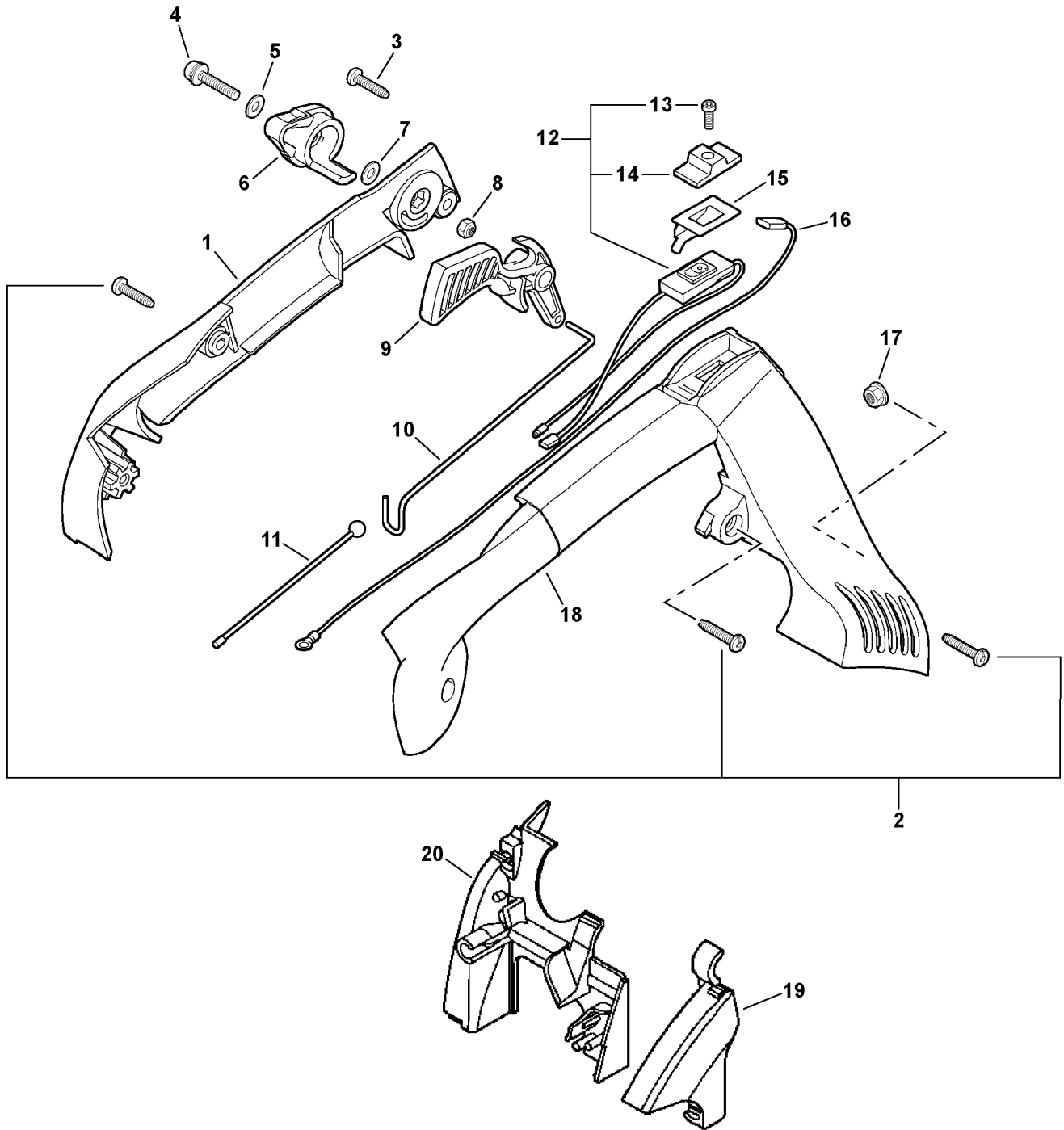


006 0024 00B

ITEM	PART NUMBER	QTY	DESCRIPTION	REMARKS
1	90010605014	2	SCREW 5X14	
2	A320000410	1	COVER, EXHAUST	
3	9136704012	5	SCREW 4X12	
4	A313000850	1	GUIDE, EXHAUST - OUTER	
5	A313000840	1	GUIDE, EXHAUST - INNER	
6	P021016930	1	EXHAUST GUIDE KIT	INCLUDES ITEM 7
7	A313001070	1	GUIDE, EXHAUST	
8	V104000940	1	GASKET, EXHAUST <sup>1</sup>	
9	A310000070	1	SCREEN	
10	V203000190	2	BOLT 5	
11	90060300005	2	WASHER	
12	A300000141	1	MUFFLER	
13	V104000820	1	SHIELD, EXHAUST <sup>1</sup>	

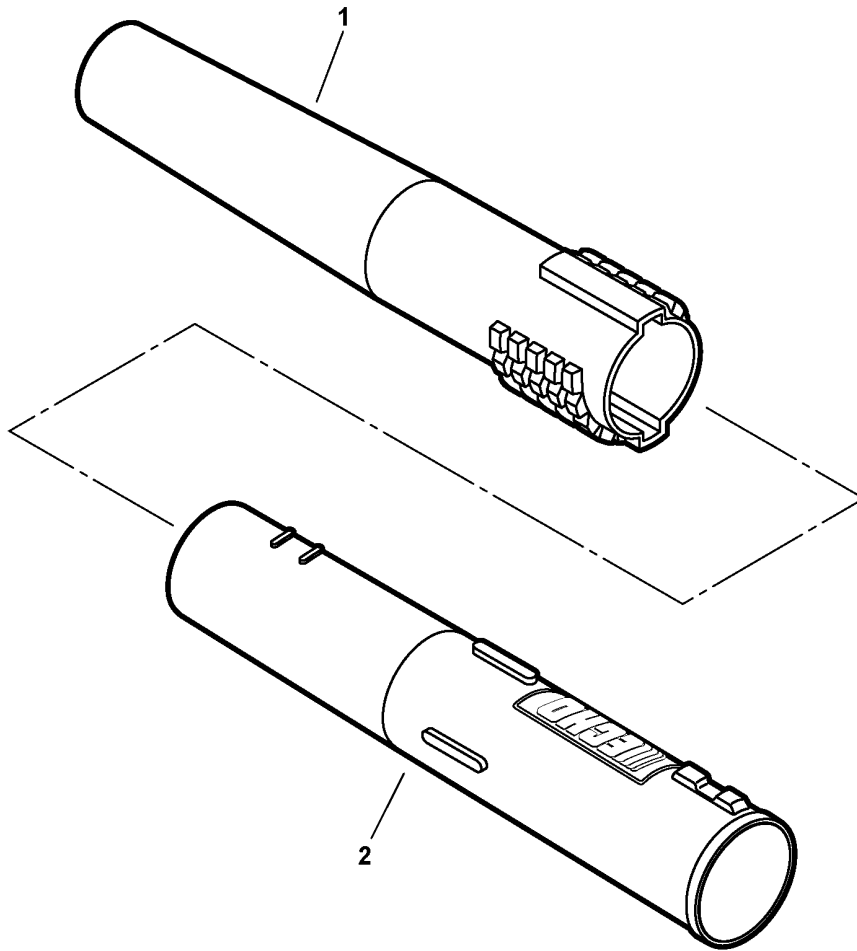
**Footnotes**

<sup>1</sup>: Also Included In Gasket Kit



026 0001 000

ITEM	PART NUMBER	QTY	DESCRIPTION	REMARKS
1	C411000010	1	COVER, HANDLE	
2	90025305020	3	SCREW 5X20 - TAPPING	
3	90025305025	1	SCREW 5X25	
4	90023805025	1	SCREW 5X25	
5	90060300005	1	WASHER	
6	C453000260	1	LEVER, THROTTLE	
7	90060300005	1	WASHER	
8	90056250005	1	FLANGE NUT 5	
9	C450000240	1	TRIGGER, THROTTLE	
10	C454000130	1	ROD, THROTTLE	
11	V431000000	1	CABLE, THROTTLE	
12	A440000770	1	IGNITION SWITCH ASY	INCLUDES ITEMS 13-14
13	9154503010	1	SCREW 3X10	
14	A444000020	1	KNOB	
15	V486000070	1	TERMINAL, GROUND	
16	V485000830	1	LEAD, GROUND	
17	V263000070	1	FLANGE NUT 5	
18	C400000471	1	HANDLE, UPPER	
19	C459000010	1	COVER, THROTTLE	
20	A160000830	1	COVER, ENGINE	

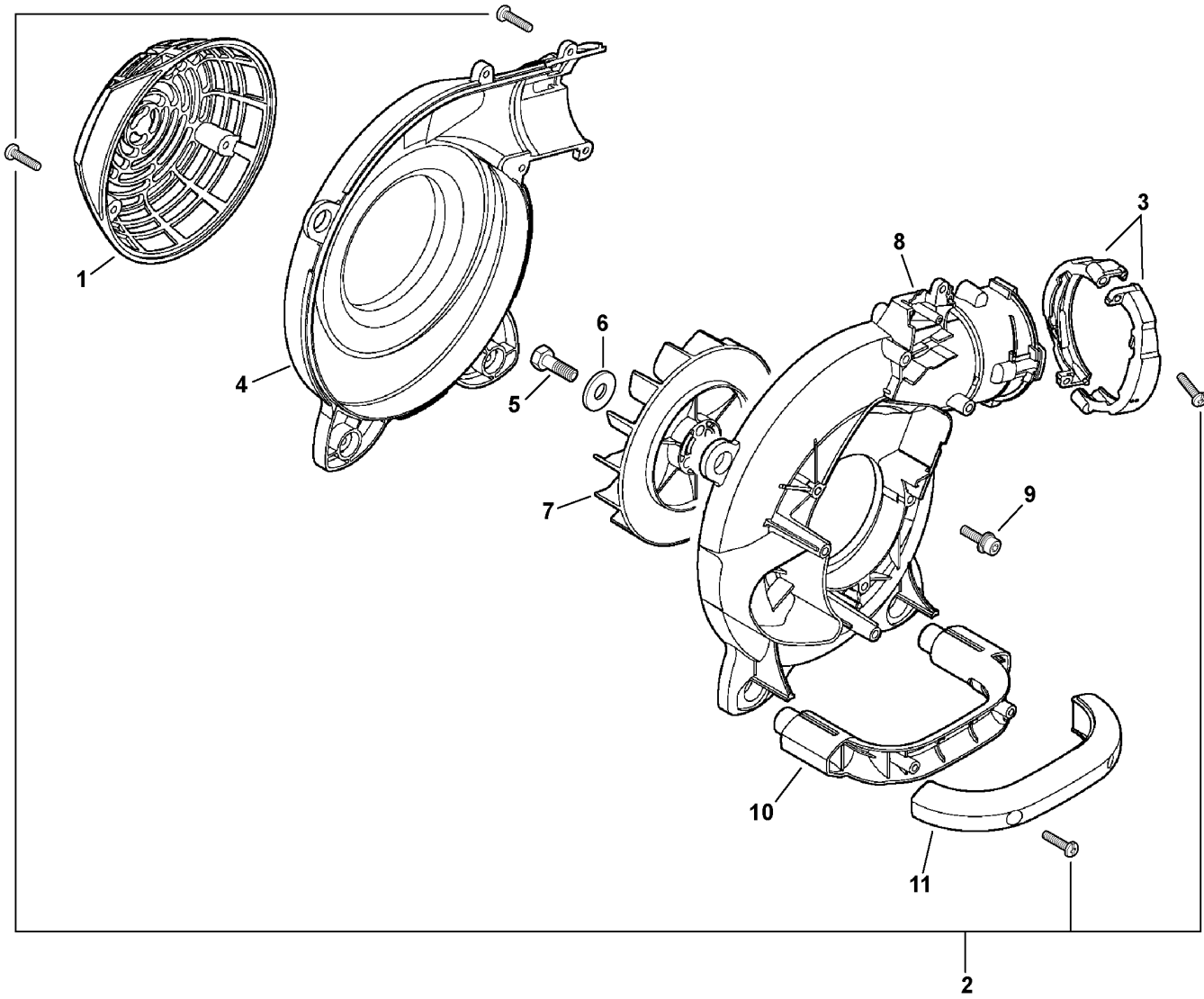


020 0009 000



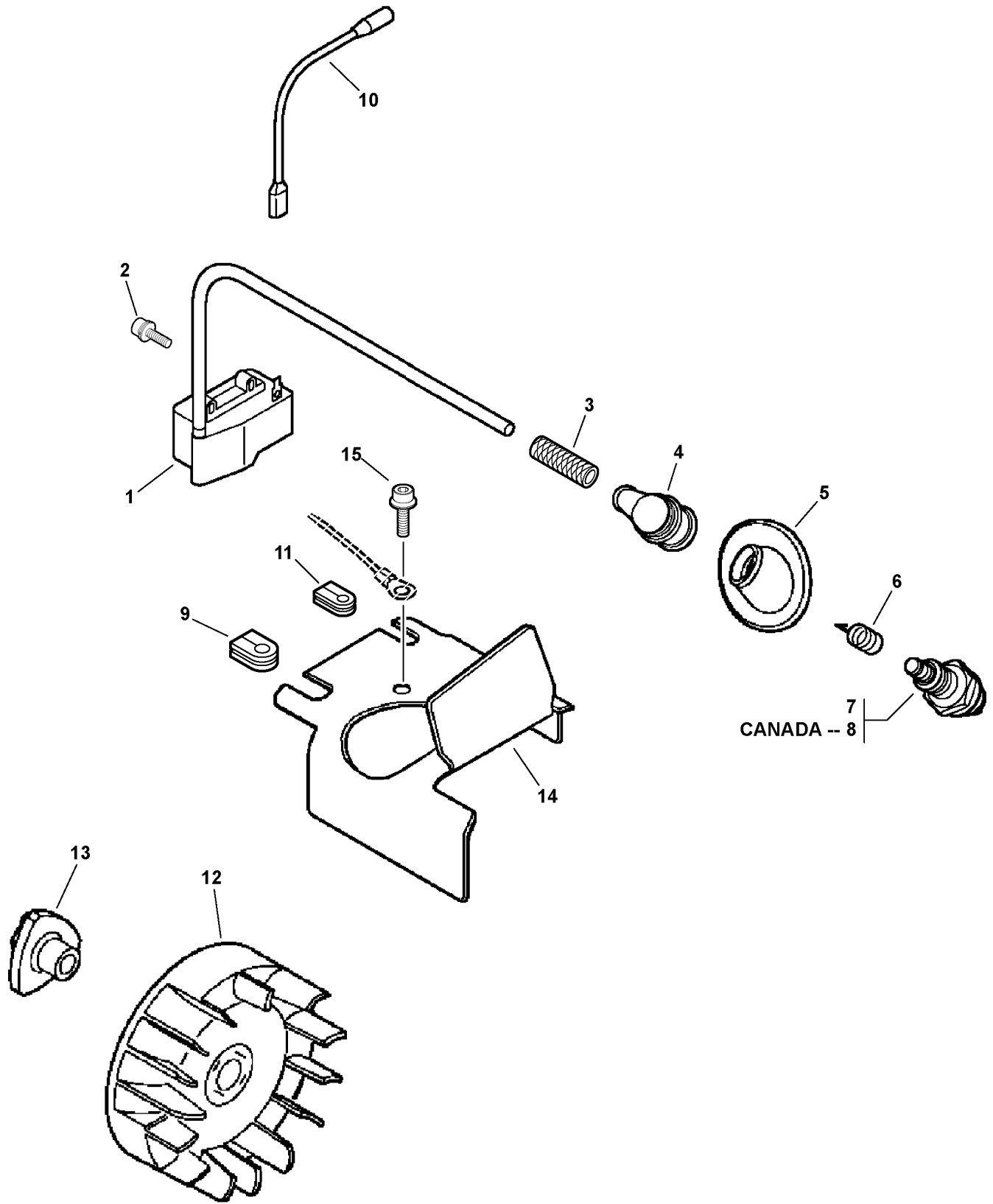
---

<u>ITEM</u>	<u>PART NUMBER</u>	<u>QTY</u>	<u>DESCRIPTION</u>	<u>REMARKS</u>
1	E165000170	1	TUBE, BLOWER - NOZZEL	
2	E165000180	1	TUBE, BLOWER - STRAIGHT	



021 0012 000

ITEM	PART NUMBER	QTY	DESCRIPTION	REMARKS
1	E104000080	1	GUARD, FAN	
2	90025305020	14	SCREW 5X20 - TAPPING	
3	E162000000	2	CLAMP	
4	E103000461	1	CASE, FAN	
5	90010008014	1	BOLT 8X14	
6	10014319830	1	WASHER	
7	E100000070	1	FAN	
8	E103000451	1	CASE, FAN	
9	90016204020	4	SCREW 4X20	
10	C410000390	1	HANDLE, LOWER - INNER	
11	C410000400	1	HANDLE, LOWER - OUTER	

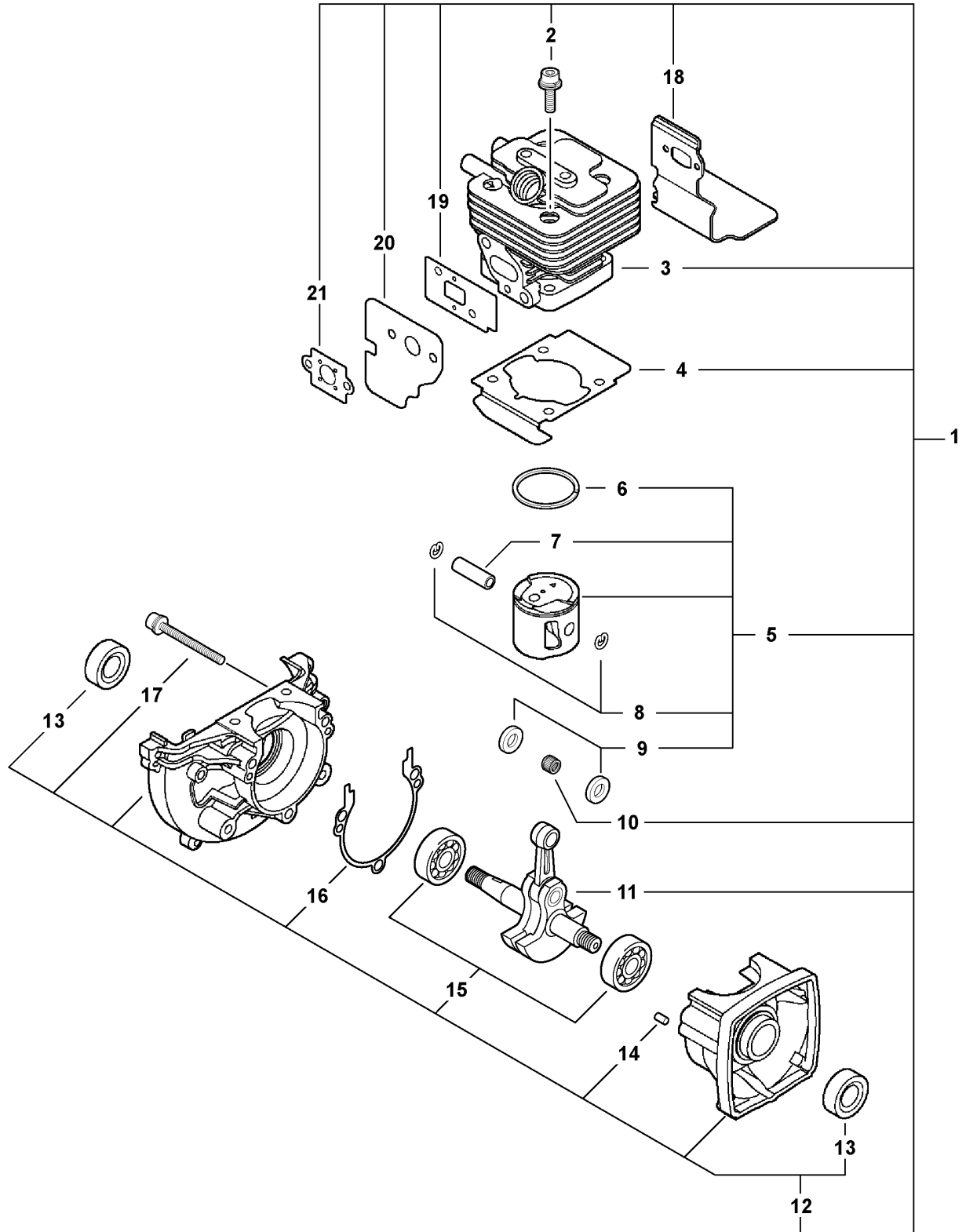


007 0018 000

ITEM	PART NUMBER	QTY	DESCRIPTION	REMARKS
1	A411000290	1	COIL, IGNITION	
2	9111304020	2	BOLT	
3	V475003380	1	INSULATOR	
4	A427000013	1	CAP, SPARK PLUG	
5	A429000010	1	COVER, DUST	
6	A426000010	1	TERMINAL, SPARK PLUG CAP	
7	15901019830	1	SPARK PLUG -- BPM-8Y <sup>1</sup>	
8	A425000000	1	SPARK PLUG -- BPMR-8Y <sup>1</sup>	CANADA MODELS
9	15611004920	1	BUSHING	
10	V485000820	1	LEAD, IGNITION	
11	15211505530	1	BUSHING	
12	A409000210	1	FLYWHEEL	
13	E101000071	1	HUB, FAN	
14	A160000820	1	COVER, CYLINDER	
15	90010605008	2	SCREW 5X8	

**Footnotes**

**1:** Also Included In REPOWER TUNE-UP KIT

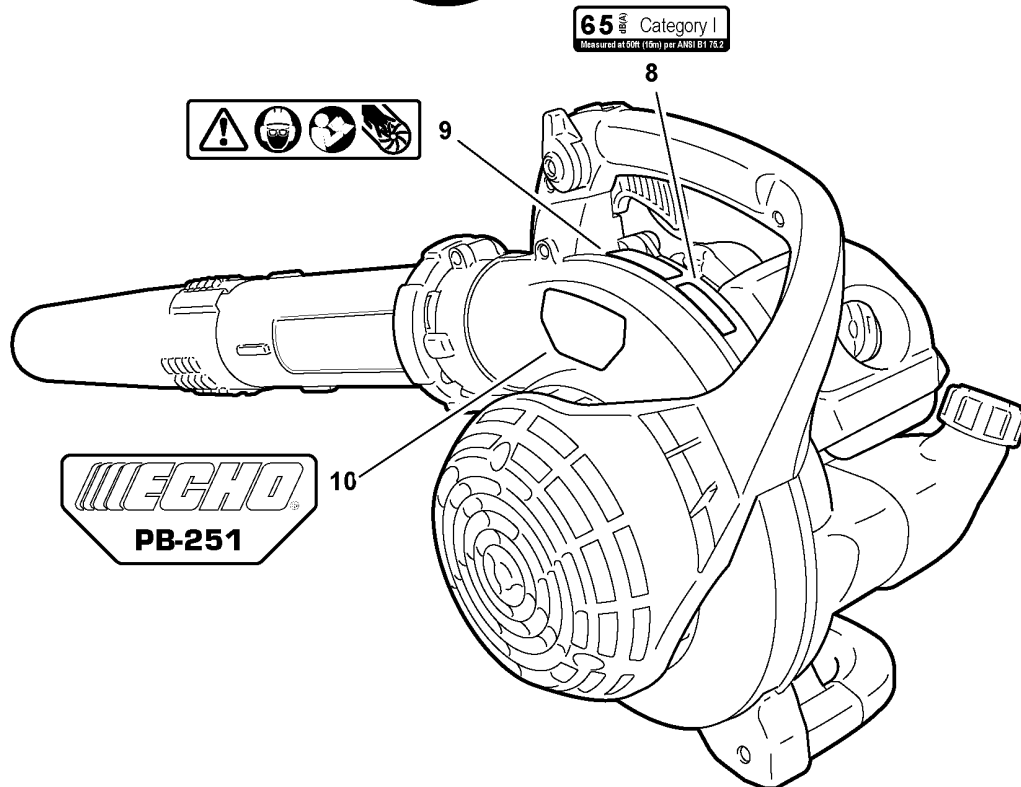
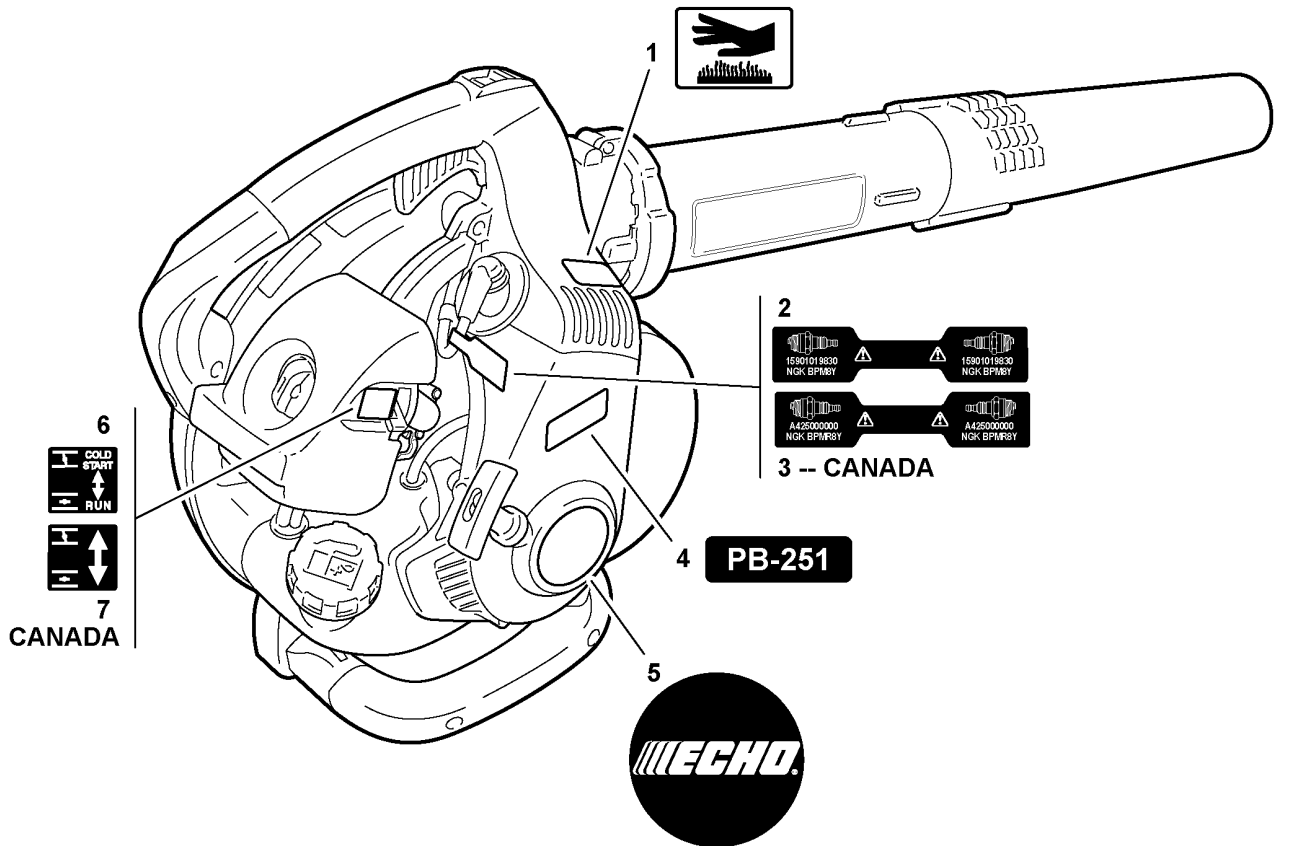


SB1092 0000 000

ITEM	PART NUMBER	QTY	DESCRIPTION	REMARKS
1	SB1092	1	SHORT BLOCK - SB1092	INCLUDES ITEMS 2-21
2	90016205025	4	SCREW 5X25	
3	A130000780	1	CYLINDER	
4	V100000190	1	GASKET, CYLINDER <sup>1</sup>	
5	P021010260	1	PISTON KIT	INCLUDES ITEMS 6-9
6	A101000140	1	RING, PISTON	
7	V606000000	1	PIN, PISTON	
8	10001504630	2	CIRCLIP, PISTON PIN	
9	10001411520	2	SPACER, PISTON PIN	
10	V553000010	1	BEARING, NEEDLE 8	
11	A011000371	1	CRANKSHAFT ASY	
12	P021008231	1	CRANKCASE KIT	INCLUDES ITEMS 13-17
13	10021242031	2	OIL SEAL	
14	V622000020	2	DOWEL PIN	
15	9403536201	2	BEARING, BALL - 6201	
16	10024242030	1	GASKET, CRANKCASE <sup>1</sup>	
17	90016205028	3	SCREW 5X28	
18	-----	1	SHIELD, EXHAUST <sup>1</sup>	SEE PAGE "Exhaust"
19	-----	1	GASKET, INTAKE <sup>1</sup>	SEE PAGE "Intake"
20	-----	1	GASKET, INTAKE <sup>1</sup>	SEE PAGE "Intake"
21	-----	1	GASKET, INTAKE <sup>1</sup>	SEE PAGE "Intake"

**Footnotes**

<sup>1</sup>: Also Included In Gasket Kit



100 0016 000



ITEM	PART NUMBER	QTY	DESCRIPTION	REMARKS
1	X505002310	1	LABEL - CAUTION -- HOT	
2	X532000671	1	LABEL - SPARK PLUG -- BPM-8Y	
3	X532000720	1	LABEL - SPARK PLUG -- BPMR-8Y	CANADA MODELS
4	X503008160	1	LABEL - MODEL -- PB-251	
5	X502000330	1	LABEL, ECHO	
6	X506000080	1	LABEL, CHOKE	
7	X506000090	1	LABEL, CHOKE	CANADA MODELS
8	X508000120	1	LABEL, NOISE	
9	X505002080	1	LABEL, CAUTION	
10	X547000520	1	LABEL - MODEL -- PB-251	

<b>Use Gasket Kit</b>	<b>Contains:</b>	<b>Service Number</b>	<b>Description</b>
P021012350		10024242030	GASKET, CRANKCASE
		13001642031	GASKET, INTAKE
		V100000190	GASKET, CYLINDER
		V103000390	GASKET, INTAKE
		V103000400	GASKET, INTAKE
		V104000820	SHIELD, MUFFLER
		V104000830	GASKET, EXHAUST

300 0013 000

---

<u>ITEM</u>	<u>PART NUMBER</u>	<u>QTY</u>	<u>DESCRIPTION</u>	<u>REMARKS</u>
1	P021012350	1	GASKET KIT	

---



# Part Number Index

Click The Page Number After Any Part Number To View The Diagram Containing That Part.

Part Number	Page	Part Number	Page	Part Number	Page
-----	9, 11, 23	A426000010	21	X532000671	25
10001411520	23	A427000013	21	X532000720	25
10001504630	23	A429000010	21	X547000520	25
10014319830	19	A440000770	15		
10021242031	23	A444000020	15		
10024242030	23	C400000471	15		
12533942030	11	C410000390	19		
12534252130	11	C410000400	19		
12534413931	11	C411000010	15		
12534452130	11	C450000240	15		
12538108660	11	C453000260	15		
13001642031	9	C454000130	15		
13100455530	5	C459000010	15		
13101655830	5	C480000070	9		
13105156030	5	E100000070	19		
13120507320	5	E101000071	21		
13191103460	9	E103000451	19		
13201049730	5	E103000461	19		
13201309820	5	E104000080	19		
13211501461	5	E162000000	19		
13211544330	5	E165000170	17		
15211505530	21	E165000180	17		
15611004920	21	P005000100	11		
15901019830	21	P005000190	11		
17721544430	7	P005000250	11		
17722042030	7	P005000270	11		
17722742030	7	P005000280	11		
17722827030	7	P005001000	11		
17723412220	7	P005001240	11		
17723644330	7	P005001260	11		
17724611120	7	P005001270	11		
90010008014	19	P005001660	11		
90010505060	9	P005001670	11		
90010605008	21	P005001890	11		
90010605014	7, 13	P005001900	11		
90016204020	19	P005002000	11		
90016205025	9, 23	P021008231	23		
90016205028	23	P021010260	23		
90016304016	7	P021010980	9		
90023805025	15	P021012350	27		
90025305020	5, 15, 19	P021016930	13		
90025305025	15	P022006850	7		
90056250005	15	P022008260	7		
90060300005	5, 13, 15	SB1092	23		
90070000004	7	V100000190	23		
9111304020	21	V103000390	9		
9136704012	13	V103000400	9		
9154503010	15	V104000820	13		
9403536201	23	V104000940	13		
A011000371	23	V203000190	13		
A021001350	11	V263000070	7, 15		
A051001060	7	V264000050	9		
A052000200	7	V299000250	9		
A101000140	23	V376000900	7		
A130000780	23	V420001430	5		
A160000820	21	V420001440	7		
A160000830	15	V431000000	15		
A200000280	9	V471001220	5		
A226000350	9	V471001860	5		
A226000470	9	V475003380	21		
A232000340	9	V485000820	21		
A244000070	9	V485000830	15		
A300000141	13	V486000070	15		
A310000070	13	V553000010	23		
A313000840	13	V606000000	23		
A313000850	13	V622000020	23		
A313001070	13	X502000330	25		
A320000410	13	X503008160	25		
A350000510	5	X505002080	25		
A356000030	5	X505002310	25		
A409000210	21	X506000080	25		
A411000290	21	X506000090	25		
A425000000	21	X508000120	25		



# Part Description Index

Click The Page Number After Any Part Description To View The Diagram Containing That Part.

<p><b>A</b></p> <p>AIR CLEANER CASE ASY.....9</p> <p><b>B</b></p> <p>BEARING, BALL - 6201.....23                  BEARING, NEEDLE 8.....23                  BODY, CARBURETOR.....11                  BOLT.....21                  BOLT 5.....13                  BOLT 8X14.....19                  BULB, PURGE.....11                  BUSHING.....21</p> <p><b>C</b></p> <p>CABLE, THROTTLE.....15                  CAP ASY - ORANGE.....5                  CAP, SPARK PLUG.....21                  CARBURETOR.....9                  CARBURETOR -- RB-K85.....11                  CASE, FAN.....19                  CIRCLIP, PISTON PIN.....23                  CLAMP.....19                  CLIP.....5                  COIL, IGNITION.....21                  CONNECTOR, CAP.....5                  COVER, CYLINDER.....21                  COVER, DIAPHRAGM.....11                  COVER, DUST.....21                  COVER, ENGINE.....15                  COVER, EXHAUST.....13                  COVER, HANDLE.....15                  COVER, THROTTLE.....15                  CRANKCASE KIT.....23                  CRANKSHAFT ASY.....23                  CUSHION.....5, 7                  CYLINDER.....23</p> <p><b>D</b></p> <p>DIAPHRAGM, METERING.....11                  DIAPHRAGM, PUMP.....11                  DIAPHRAGM/GASKET KIT.....11                  DOWEL PIN.....23</p> <p><b>E</b></p> <p>E-RING.....11                  E-RING 4.....7                  EXHAUST GUIDE KIT.....13</p> <p><b>F</b></p> <p>FAN.....19                  FILTER, AIR - DOUBLE LAYER.....9                  FILTER, AIR - SINGLE LAYER.....9                  FILTER, FUEL.....5                  FLANGE NUT 5.....7, 15                  FLYWHEEL.....21</p> <p><b>G</b></p> <p>GASKET KIT.....27                  GASKET, CAP.....5                  GASKET, CRANKCASE.....23                  GASKET, CYLINDER.....23                  GASKET, EXHAUST.....13</p>	<p>GASKET, INTAKE.....9, 23                  GASKET, METERING DIAPHRAGM.....11                  GASKET, PUMP.....11                  GRIP, STARTER.....7                  GROMMET.....5                  GUARD, FAN.....19                  GUIDE, CABLE.....9                  GUIDE, EXHAUST.....13                  GUIDE, EXHAUST - INNER.....13                  GUIDE, EXHAUST - OUTER.....13                  GUIDE, ROPE.....7</p> <p><b>H</b></p> <p>HANDLE, LOWER - INNER.....19                  HANDLE, LOWER - OUTER.....19                  HANDLE, UPPER.....15                  HUB, FAN.....21</p> <p><b>I</b></p> <p>IGNITION SWITCH ASY.....15                  INSULATOR.....9, 21</p> <p><b>K</b></p> <p>KNOB.....15</p> <p><b>L</b></p> <p>LABEL - CAUTION -- HOT.....25                  LABEL - MODEL -- PB-251.....25                  LABEL - SPARK PLUG -- BPM-8Y.....25                  LABEL - SPARK PLUG -- BPMR-8Y.....25                  LABEL, CAUTION.....25                  LABEL, CHOKE.....25                  LABEL, ECHO.....25                  LABEL, NOISE.....25                  LEAD, GROUND.....15                  LEAD, IGNITION.....21                  LEVER, METERING.....11                  LEVER, THROTTLE.....15                  LID, AIR CLEANER.....9</p> <p><b>M</b></p> <p>MUFFLER.....13</p> <p><b>N</b></p> <p>NEEDLE - HIGH SPEED.....11                  NUT 6.....9</p> <p><b>O</b></p> <p>OIL SEAL.....23                  O-RING.....11</p> <p><b>P</b></p> <p>PAWL.....7                  PIN, METERING LEVER.....11                  PIN, PISTON.....23                  PIPE, FUEL - 3X5X175mm.....5                  PIPE, RETURN - 3X6X85mm.....5                  PIPE, VENT - 3X5X50mm.....5                  PISTON KIT.....23                  PLATE, PREVENT.....9                  PLUG.....11                  PULLEY.....7</p>	<p>PURGE BASE ASY.....11</p> <p><b>R</b></p> <p>REPAIR KIT.....11                  RETAINER.....7                  RETAINER, PURGE BULB.....11                  RING, PISTON.....23                  ROD, THROTTLE.....15                  ROLLER, GUIDE.....11                  ROPE, STARTER - 3X700mm.....7                  ROTOR COVER ASY.....11</p> <p><b>S</b></p> <p>SCREEN.....13                  SCREW.....7                  SCREW 3X10.....15                  SCREW 4X12.....13                  SCREW 4X16.....7                  SCREW 4X20.....19                  SCREW 5X14.....7, 13                  SCREW 5X20 - TAPPING.....5, 15, 19                  SCREW 5X25.....9, 15, 23                  SCREW 5X28.....23                  SCREW 5X60.....9                  SCREW 5X8.....21                  SCREW, DIAPHRAGM COVER.....11                  SCREW, METERING LEVER PIN.....11                  SCREW, PURGE BASE ASY.....11                  SCREW, RETAINER.....11                  SCREW, ROTOR COVER.....11                  SCREW, THROTTLE ADJUST.....11                  SHIELD, EXHAUST.....13, 23                  SHORT BLOCK - SB1092.....23                  SPACER ASY.....7                  SPACER, PISTON PIN.....23                  SPARK PLUG -- BPM-8Y.....21                  SPARK PLUG -- BPMR-8Y.....21                  SPRING, METERING LEVER.....11                  SPRING, RETURN.....7                  SPRING, REWIND.....7                  STARTER PAWL ASY.....7                  STARTER, RECOIL.....7                  STRAINER.....11                  SWIVEL.....11</p> <p><b>T</b></p> <p>TANK, FUEL.....5                  TERMINAL, GROUND.....15                  TERMINAL, SPARK PLUG CAP.....21                  THUMB SCREW.....9                  TRIGGER, THROTTLE.....15                  TUBE, BLOWER - NOZZEL.....17                  TUBE, BLOWER - STRAIGHT.....17</p> <p><b>V</b></p> <p>VALVE, INLET NEEDLE.....11                  VENT ASY.....5</p> <p><b>W</b></p> <p>WASHER.....5, 9, 13, 15, 19</p>
---	---	--



**ECHO, INCORPORATED**  
400 Oakwood Road  
Lake Zurich, IL 60047 USA

[WWW.ECHO-USA.COM](http://WWW.ECHO-USA.COM)

---

## Free Manuals Download Website

<http://myh66.com>

<http://usermanuals.us>

<http://www.somanuals.com>

<http://www.4manuals.cc>

<http://www.manual-lib.com>

<http://www.404manual.com>

<http://www.luxmanual.com>

<http://aubethermostatmanual.com>

Golf course search by state

<http://golfingnear.com>

Email search by domain

<http://emailbydomain.com>

Auto manuals search

<http://auto.somanuals.com>

TV manuals search

<http://tv.somanuals.com>