



# Power Blower

## *Operator's Manual*

**MODELS:**

**PB-650**

Serial Number 04001001 - 04002000

**WARNING**  **DANGER**



The muffler or catalytic muffler and surrounding cover may become extremely hot.

Always keep clear of exhaust and muffler area, otherwise serious personal injury may occur.



**WARNING**



The engine exhaust from this product contains chemicals known to the State of California to cause cancer, birth defects or other reproductive harm.



**WARNING**  **DANGER**

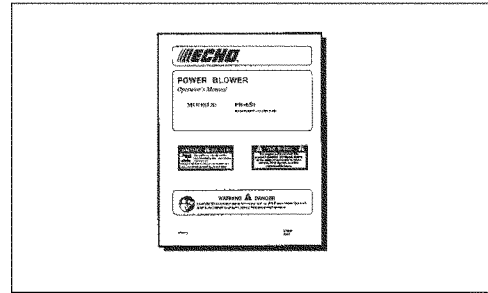
Read rules for safe operation and all instructions carefully. ECHO provides this Operator's Manual which must be read and understood for proper and safe operation.

## INTRODUCTION

Welcome to the ECHO family. This ECHO product was designed and manufactured to provide long life and on-the-job-dependability. Read and understand this manual. You will find it easy to use and full of helpful operating tips and SAFETY messages.

### THE OPERATOR'S MANUAL --

Contains specifications and information for operation, starting, stopping, maintenance, storage and assembly specific to this product.




## TABLE OF CONTENTS

Introduction .....	2	- Operating Blower .....	12
- The Operator's Manual .....	2	Maintenance .....	13
Manual Safety Symbols and Important Information ..	3	- Skill Levels .....	13
Safety 3		- Maintenance Intervals .....	13
- Decals .....	3	- Air Filter .....	14
- International Symbols .....	4	- Fuel Filter .....	14
Safety Instructions .....	4	- Spark Plug .....	15
- Personal Condition and Safety Equipment .....	4	- Cooling System .....	15
- Extended Operation/Extreme Conditions .....	5	- Exhaust System .....	16
- Equipment .....	5	- Carburetor Adjustment .....	17
- Safe Operation .....	6	Troubleshooting .....	18
Emission Control .....	6*	Storage .....	19
Description .....	7	Servicing Information .....	20
- Contents .....	7	- Parts .....	20
Assembly .....	8	- Service .....	20
- Specifications .....	8	- ECHO Consumer Product Support .....	20
- Install Blower Pipes / Stick Handle .....	9*	- Warranty Card .....	20
Pre-Operation .....	10	- Additional or Replacement Manuals .....	20
- Fuel .....	10	*Page 6 Supplement .....	21
Operation .....	11	*Page 9 Supplement .....	21
- Starting Cold Engine .....	11	*Page 12 Supplement .....	22
- Starting Warm Engine .....	11		
- Stopping Engine .....	12*		


Specifications, descriptions and illustrative material in this literature are as accurate as known at the time of publication, but are subject to change without notice. Illustrations may include optional equipment and accessories, and may not include all standard equipment.

## MANUAL SAFETY SYMBOLS AND IMPORTANT INFORMATION

Throughout this manual and on the product itself, you will find safety alerts and helpful, information messages preceded by symbols or key words. The following is an explanation of those symbols and key words and what they mean to you.



This symbol accompanied by the words **WARNING** and **DANGER** calls attention to an act or condition that can lead to serious personal injury to operator and bystanders.



The circle with the slash symbol means whatever is shown within the circle is prohibited.




**IMPORTANT** **NOTE**

**IMPORTANT** The enclosed message provides information necessary for the protection of the unit.

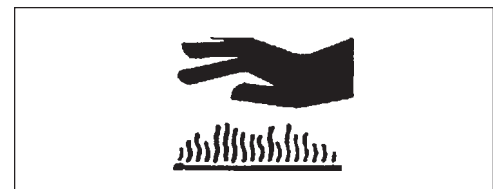
**NOTE** This enclosed message provides tips for use, care and maintenance of the unit.

## SAFETY

### DECALS

Locate these safety decals on your unit. The complete unit illustration, found in the "DESCRIPTION" section, will help you locate them. Make sure the decals are legible and that you understand and follow the instructions on them. If a decal cannot be read, a new one can be ordered from your ECHO dealer. See PARTS ORDERING instructions for specific information.

#### HOT DECAL (near muffler)



P/N 89016006361

#### GENERAL WARNING DECAL (located on top of blower housing)



P/N 89016009461

## INTERNATIONAL SYMBOLS

Symbol form/shape	Symbol description/application	Symbol form/shape	Symbol description/application
	Read and understand Operator's Manual.		Fuel and oil mixture
	Wear eyes, ears and head protection		Finger Severing
	Hot Surface		Wear hand protection. Use two handed.
	Safety/Alert		Wear slip resistant foot wear.
	DO NOT allow flames or sparks near fuel.		DO NOT smoke near fuel.

Symbol form/shape	Symbol description/application	Symbol form/shape	Symbol description/application
	Engine choke control.		Ignition ON/OFF
	Emergency stop		Primer bulb
	Carburetor adjustment - Low speed mixture		Carburetor adjustment - High speed mixture
	Carburetor adjustment - Idle speed		

## SAFETY INSTRUCTIONS

### PERSONAL CONDITION AND SAFETY EQUIPMENT

#### WARNING DANGER

Power Blower users risk injury to themselves and others if the power blower is used improperly and or safety precautions are not followed. Proper clothing and safety gear must be worn when operating a blower.

#### **Physical Condition --**

Your judgment and physical dexterity may not be good:

- if you are tired or sick,
- if you are taking medication,
- if you have taken alcohol or drugs.

Operate unit only if you are physically and mentally well.

#### **Eye Protection --**

Wear eye protection that meets ANSI Z87.1 or CE requirements whenever you operate the blower.

#### **Hand Protection --**

Wear no-slip, heavy duty work gloves to improve your grip on the blower handle. Gloves also reduce the transmission of machine vibration to your hands.

#### **Breathing Protection --**

Wear a face mask to protect against dust.

#### **Hearing Protection --**

ECHO recommends wearing hearing protection whenever unit is used.

#### **Proper Clothing --**

Wear snug fitting, durable clothing;

- Pants should have long legs, shirts with long sleeves.
- DONOT WEAR SHORTS,
- DONOT WEAR TIES, SCARVES, JEWELRY.

Wear sturdy work shoes with nonskid soles;

- DONOT WEAR OPEN TOED SHOES,
- DONOT OPERATE UNIT BAREFOOTED.

Keep long hair away from engine and blower intake. Retain hair with cap or net.

#### **Hot Humid Weather --**

Heavy protective clothing can increase operator fatigue which may lead to heat stroke. Schedule heavy work for early morning or late afternoon hours when temperatures are cooler.

**EXTENDED OPERATION/EXTREME CONDITIONS**

***Vibration and Cold --***

It is believed that a condition called Raynaud's Phenomenon, which affects the fingers of certain individuals may be brought about by exposure to vibration and cold. Exposure to vibration and cold may cause tingling and burning sensations followed by loss of color and numbness in the fingers. The following precautions are strongly recommended because the minimum exposure which might trigger the ailment is unknown.

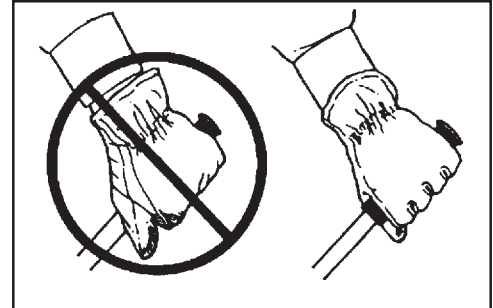
- Keep your body warm, especially the head, neck, feet, ankles, hands and wrists.
- Maintain good blood circulation by performing vigorous arm exercises during frequent work breaks and also by not smoking.
- Limit the hours of operation. Try to fill each day with jobs where operating the blower or other hand-held power equipment is not required.
- If you experience discomfort, redness and swelling of the fingers followed by whitening and loss of feeling, consult your physician before further exposing yourself to cold and vibration.

***Repetitive Stress Injuries --***

It is believed that overusing the muscles and tendons of the fingers, hands, arms and shoulders may cause soreness, swelling, numbness, weakness and extreme pain in those areas. Certain repetitive hand activities may put you at a high risk for developing a Repetitive Stress Injury (RSI). An extreme RSI condition is Carpal Tunnel Syndrome (CTS), which could occur when your wrist swells and squeezes a vital nerve that runs through the area. Some believe that prolonged exposure to vibration may contribute to CTS. CTS can cause severe pain for months or even years.

To reduce the risk of RSI/CTS, do the following:

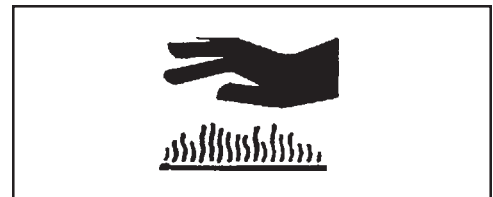
- Avoid using your wrist in a bent, extended or twisted position. Instead try to maintain a straight wrist position. Also, when grasping, use your whole hand, not just the thumb and index finger.
- Take periodic breaks to minimize repetition and rest your hands.
- Reduce the speed & force in which you do the repetitive movement.
- Do exercises to strengthen the hand and arm muscles.
- Immediately stop using all power equipment and consult a doctor if you feel tingling, numbness or pain in the fingers, hands, wrists or arms. The sooner RSI/CTS is diagnosed, the more likely permanent nerve and muscle damage can be prevented.



**EQUIPMENT**

Before operation a complete check of the unit must be performed:

- Check unit for loose/missing nuts, bolts and screws. Tighten and/or replace as needed.
- Inspect fuel lines, tank and area around carburetor for fuel leaks. **DO NOT** operate unit if leaks are found.
- Keep exhaust area clear of flammable debris. Avoid contact during and immediately after operation.



## SAFE OPERATION

### *Determine Operation Area --*

- Review area to be cleared. Look for potential hazards such as stones or metal objects.
- Spectators and fellow workers must be warned, and children and animals prevented from coming nearer than 15 m (50 ft.) while the blower is in use.
- Take wind conditions into account: avoid open doors and windows.
- Provide all operators of this equipment with the Operator's Manual and instructions for safe operation.
- Do not point blower at people or animals.
- Start unit on ground with throttle at idle. Check that blower pipe is not blocked by the ground or by any objects.

### **WARNING** **DANGER**

Do not operate this product indoors or in inadequately ventilated areas. Engine exhaust contains poisonous emissions and can cause serious injury or death.

### **Keep A Firm Grip**

- Hold handle with fingers together encircling the handle.

### **Keep A Solid Stance**

- Maintain footing and balance at all times. Do not stand on slippery, uneven or unstable surfaces. Do not work in odd positions or on ladders.
- Do not perform Maintenance or Assembly procedures with engine running.

### **Noise Control**

- Follow local noise regulations on sound levels and hours of operations. Use only during appropriate hours.
- Never use a higher speed setting than necessary to perform a task. The higher the engine speed the louder the blower noise.
- Be a good neighbor.

### **Avoid Hot Surfaces**

- During operation, the muffler or catalytic muffler and surrounding cover may become extremely hot. Avoid contact during and immediately after operation. Always keep exhaust area clear of flammable debris. Allow the engine and muffler to completely cool before performing any maintenance activity.



## EMISSION CONTROL

### **EPA Phase II**

The emission control system for this engine is EM (Engine Modification).

**An Emission Control Label** is located on the unit. (This is an EXAMPLE ONLY, information on label varies by engine FAMILY).

#### IMPORTANT ENGINE INFORMATION

ENGINE FAMILY: 1EHXS.0635RA

DISPLACEMENT: 63.3 cc

THIS ENGINE MEETS U.S. EPA PHASE II EMISSION REGULATIONS FOR S.O.R.E. REFER TO OWNER'S MANUAL FOR MAINTENANCE SPECIFICATIONS AND ADJUSTMENTS. EMISSION COMPLIANCE PERIOD : 300 HRS.



**KIORTZ CORP.**



#### PRODUCT EMISSION DURABILITY

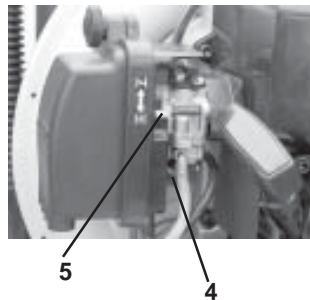
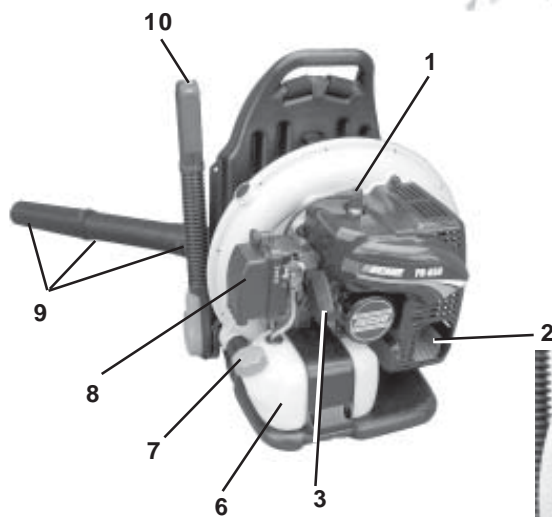
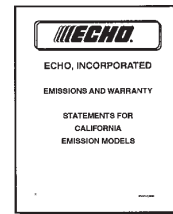
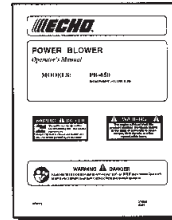
The 300 hour emission durability period is the time span selected by the manufacturer certifying the engine emissions output meets applicable California emissions regulations, provided that approved maintenance procedures are followed as listed in the Maintenance Section of this manual.

**IMPORTANT** This spark ignition system complies with Canadian ICES-002.

## DESCRIPTION

## CONTENTS

- 1 - Power Head
- 1 - Flex Pipe
- 1 - Pipe w/swivel
- 1 - Straight Pipe
- 1 - Straight Pipe
- 1 - Operator's Manual
- 1 - Warranty Registration Card
- 1 - ECHO Emissions and Warranty Statement
- 1 - Plastic Bag
- 2 - Clamps w/screws
- 1 - Stick Handle
- 1 - Bolt 6x45
- 1 - Washer 6
- 1 - Wing nut
- 1-Bottle ECHO 2-Stroke Oil Mix



1. **SPARK PLUG** - Provides spark to ignite fuel mixture.
2. **SPARK ARRESTOR - CATALYTIC MUFFLER/MUFFLER** - The muffler or catalytic muffler controls exhaust noise and emission. The spark arrestor screen prevents hot, glowing particles of carbon from leaving the muffler. Keep exhaust area clear of flammable debris.
3. **RECOIL STARTER HANDLE** - Pull recoil handle slowly until starter engages, then quickly and firmly. When engine starts, return handle slowly. **DO NOT** let handle snap back or damage to unit will occur.
4. **PRIMER BULB** - Pumping primer bulb before starting engine draws fresh fuel from the fuel tank priming the carburetor for starting. Pump primer bulb until fuel is visible and flows freely in the clear fuel tank return line. Pump bulb an additional 4 or 5 times.
5. **CHOKE** - Move lever **UP** to close choke (starting position) and for emergency stopping. Move **DOWN** to open choke (run position).
6. **FUEL TANK** - Contains fuel and fuel filter.
7. **FUEL TANK CAP** - Covers and seals fuel tank.

8. **AIR CLEANER** - Contains replaceable air filter element.
9. **BLOWER PIPES** - Twist lock design.
10. **THROTTLE POSITION LEVER/STOP SWITCH** - Combination stop switch and variable speed throttle lever. When the lever is moved all the way forward the blower is at Wide Open Throttle (W.O.T.). When the lever is moved rearward to detent, the blower is at idle. When the lever is moved rearward past the idle detent the blower will stop.
11. **SAFETY DECAL** - Lists important safety precautions.
12. **HANDLE** - Rotates downward for throttle control access. Spring loaded for flexible operation.
13. **SHOULDER HARNESS** - Used to support unit on operator's back. The straps are adjustable.

## ASSEMBLY

### SPECIFICATIONS

MODEL	PB-650
Length	375 mm (14.76 in.)
Width	485 mm (19.1 in.)
Height	527 mm (20.75 in.)
Weight (dry)	10.4 kg (23.0 lb.)
Engine Type	Air cooled, two-stroke, single cylinder gasoline engine
Displacement	63.3 cc (3.86 cu. in.)
Bore	48.0 mm (1.89 in.)
Stroke	35.0 mm (1.38 in.)
Carburetor	Walbro Diaphragm, model WYK w/primer bulb
Ignition System	Flywheel Magneto, capacitor discharge ignition type
Spark Plug	NGK BPMR-8Y Gap 0.65 mm (0.026 in.)
Exhaust System	Spark Arrestor Muffler
Fuel	Mixed (Gasoline and Two-stroke Oil)
Fuel/Oil Ratio	50:1 ECHO High Performance, two-stroke air cooled engine oil
Gasoline	89 Octane unleaded. DO NOT use fuel containing methyl alcohol, more than 10% ethyl alcohol or 15% MTBE.
Oil	50:1 ECHO High Performance, two-stroke air cooled engine oil
Fuel Tank Capacity	2.07 lit. (70.0 US fl. oz.)
Recoil Starter System	Automatic Recoil Starter Centrifugal Type
Idle Speed	2350 - 2850 (RPM)
Wide Open Throttle Speed	6800 - 7300 (RPM)
Maximum Air Speed (Measured at pipe end)	338 KM/H (210 mph)
Average Air Volume (Measured at pipe end)	18.1 cu. m/min. (640 cu. ft./min.)
Maximum Air Volume (Measured at housing)	34.0 cu. m/min. (1200 cu. ft./min.)

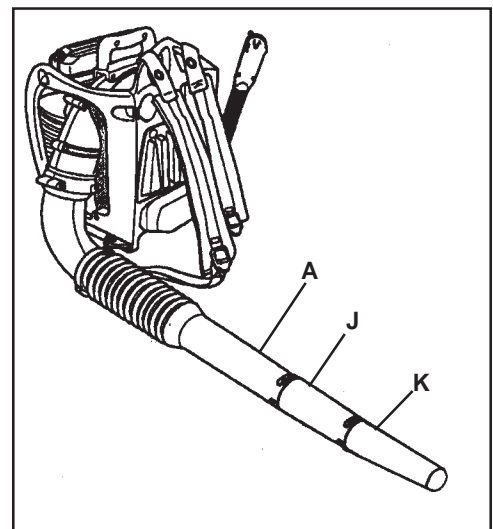
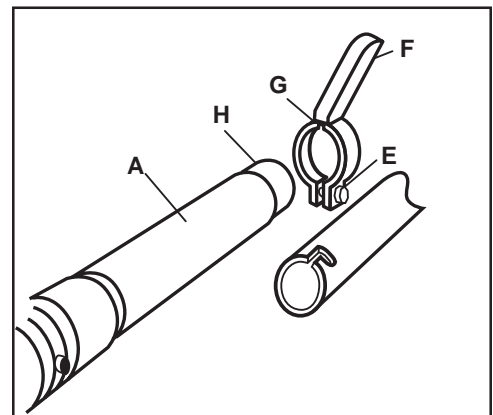
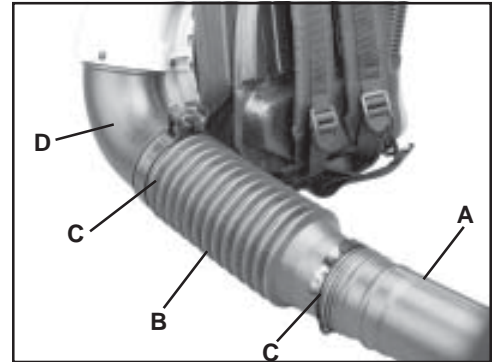


**WARNING**  **DANGER**

Never perform maintenance or assembly procedures with engine running or serious personal injury may result.

**INSTALL BLOWER PIPES / STICK HANDLE**

1. Assemble straight pipe with swivel (A) into flexible pipe (B).
2. Assemble flexible pipe (B) to elbow (D) on blower.
3. Assemble clamps (C) onto both ends of flexible pipe (B) and tighten.
4. Loosen wing nut (E) completely and expand open, stick handle clamp (F).
5. Align notches (G) in handle clamp with pipe pegs (H). Stick handle should be angled away from operator.
6. Slide stick handle onto pipe with swivel (A).
7. Position stick handle for comfortable operation and tighten wing nut (E).
8. Assemble straight pipe (J) to pipe with swivel (A), turning straight pipe counter-clockwise to lock in place.
9. Assemble straight pipe (K) to straight pipe (J) turning straight pipe (K) counter-clockwise to lock in place.



## PRE-OPERATION

### FUEL

#### *Fuel Requirements*

**Gasoline** - Use 89 Octane [ $\frac{R+M}{2}$ ] (mid grade or higher) gasoline known to be good quality. Gasoline may contain up to 15% MTBE (methyl tertiary-butyl ether). Gasohol containing methyl (wood) alcohol is **NOT** approved.

**Two Stroke Oil** - A two-stroke engine oil meeting ISO-L-EGD (ISO/CD 13738) and J.A.S.O. FC Standards, must be used. Echo brand Premium 50:1 oil meets these standards. Engine problems due to inadequate lubrication caused by failure to use an ISO-L-EGD and J.A.S.O. FC certified oil, such as Echo Premium 50:1 Two-stroke Oil, will void the two-stroke engine warranty. (Emission related parts only are covered for two years, regardless of two-stroke oil used, per the statement listed in the California Emission Defect Warranty Explanation.)

#### **IMPORTANT**

Echo Premium 2-Stroke Oil may be mixed at 50:1 ratio for application in all Echo engines sold in the past regardless of ratio specified in those manuals.

#### Mixing Instructions

1. Fill an approved fuel container with half of the required amount of gasoline.
2. Add 2-stroke oil to gasoline.
3. Close container and shake to mix oil with gasoline.
4. Add remaining gasoline and remix.
5. Install fuel container cap and wipe any spilled fuel from container and surrounding area.

#### *Handling Fuel*

#### **WARNING DANGER**

Fuel is **VERY** flammable. Use extreme care when mixing, storing or handling or serious personal injury may result.

- Use an approved fuel container.
- DO NOT smoke near fuel.
- DO NOT allow flames or sparks near fuel.
- Fuel tanks/cans may be under pressure. Always loosen fuel caps slowly allowing pressure to equalize.
- NEVER refuel a unit when the engine is HOT!
- NEVER refuel a unit with the engine running.
- DO NOT fill fuel tanks indoors. ALWAYS fill fuel tanks outdoors over bare ground.
- Securely tighten fuel cap after refueling.
- Inspect for fuel leakage. If fuel leakage is found, do not start or operate unit until leakage is repaired.

#### **IMPORTANT**

Spilled fuel is a leading cause of hydrocarbon emissions. Some states may require the use of automatic fuel shut-off containers to reduce fuel spillage. Contact your ECHO dealer for ordering information.

#### *After Refueling -*

- Wipe any spilled fuel from the unit.
- Move at least 3 m (10 ft.) from refueling location before starting.

#### *After use -*

- DO NOT store a unit with fuel in its tank. Leaks can occur. Return unused fuel to an approved fuel storage container.

#### *Storage -*

Fuel storage laws vary by locality. Contact your local government for the laws affecting your area. As a precaution, store fuel in an approved, air tight container. Store in a well ventilated, unoccupied building, away from sparks and flames. Do not store fuel longer than 30 days.

#### **IMPORTANT**

Stored fuel ages. Do not mix more fuel than you expect to use in thirty (30) days, ninety (90) days when a fuel stabilizer is added.

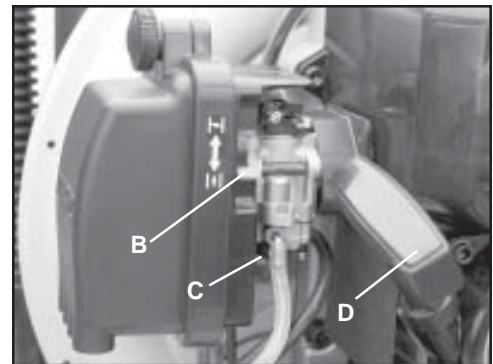
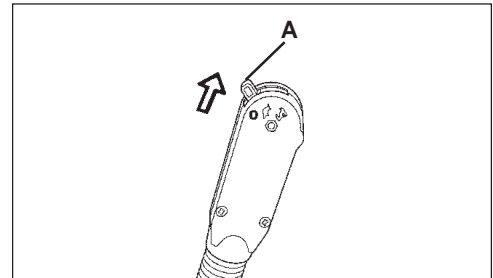
Stored two-stroke fuel may separate. ALWAYS shake fuel container thoroughly before each use.

## OPERATION

- Recoil starter: Use short pulls - only 1/2-2/3 of rope length for starting. Do not allow the rope to snap back in. Always hold the unit firmly.
- Rotate spring loaded throttle handle downward to a comfortable operating position.

## STARTING COLD ENGINE

1. Move throttle lever (A) to START/IDLE DETENT position.
2. Close Choke - Cold Start.  
Move choke (B) up to "Cold Start" position.
3. Primer Bulb-Prime.  
Pump primer bulb (D) until fuel is visible and flows freely in the clear fuel tank return line. Pump bulb an additional 4 or 5 times.
4. Pull recoil starter handle (D) until engine fires (5 or 6 pulls).
5. Move choke (B) to run position and if necessary, restart engine.



### NOTE

If engine does not start after 5 pulls, use cold start procedures.

### NOTE

Allow engine to warm up before use.

## STARTING WARM ENGINE

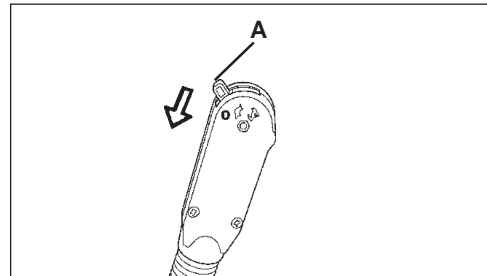
1. Move throttle lever (A) to start/idle detent position.
2. Pull recoil starter handle (D) and engine should start. Do not use choke (B).

### NOTE

If engine does not start after 5 pulls, use cold start procedures.

## STOPPING ENGINE

1. Move throttle lever (A) to idle detent position and allow engine to idle for a few minutes.
2. Move throttle lever (A) to "O" (Stop) position.



### WARNING DANGER

If engine does not stop when stop switch is moved to STOP position, close choke - COLD START position - to stall engine. Have your ECHO dealer repair stop switch before using blower again.

## OPERATING BLOWER

### WARNING DANGER

Always wear safety glasses, hearing protection, a face filter mask and take all safety precautions or serious personal injury may result.

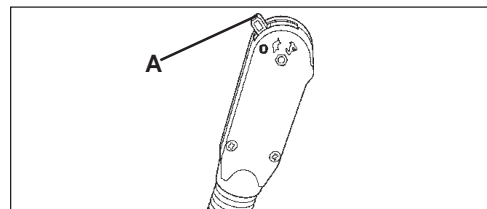
Do not point the blower pipe in the direction of people or pets.

Read the Safety Section on pages 4 and 6 carefully.

### IMPORTANT

To avoid engine damage due to over revving, do not block blower pipe opening.

1. Use only during appropriate hours.
2. Allow the engine to warm up at a fast idle for a few minutes.
3. Set engine speed with throttle lever (A).
4. Use lower speed to blow dry leaves from walks, patios and drives.
5. Additional speed may be necessary to clean grass and leaves from a lawn or flower bed.
6. Higher speed may be necessary to move gravel, dirt, snow, bottles or cans from a driveway, street, parking lot or stadium.



### NOTE

Never use a higher speed setting than necessary to perform a task. Remember, the higher the engine speed, the louder the blower noise. Minimize dust by using blower at lower speeds and by dampening material with water/mist when necessary. Keep debris on your property.  
Be Smart - be a good neighbor.

## MAINTENANCE

Your ECHO blower is designed to provide many hours of trouble-free service. Regular scheduled maintenance will help your blower achieve that goal. If you are unsure or are not equipped with the necessary tools, you may want to take your unit to an ECHO Service Dealer for maintenance. To help you decide whether you want to DO-IT-YOURSELF or have the ECHO Dealer do it, each maintenance task has been graded. If task is not listed, see your ECHO Dealer for repairs.

### SKILL LEVEL

- Level 1**= Easy to do. Most required tools come with unit.
- Level 2**= Moderate difficulty. Some specialized tools may be required.
- Level 3**= Experience required. Specialized tools are required. Echo recommends the unit be returned to your Echo Dealer for servicing.

ECHO offers **REPOWER™** Maintenance Kits and Parts to make your maintenance job easier. Just below each task heading are listed the various part numbers required for that task. See your ECHO dealer for these parts.

### MAINTENANCE INTERVALS

COMPONENT/ SYSTEM	MAINTENANCE PROCEDURE	REQ'D SKILL LEVEL	DAILY OR BEFORE USE	EVERY REFUEL	3 MONTHS OR 90 HOURS	6 MONTHS OR 270 HOURS	YEARLY
<b>Recommended Echo Dealer Maintenance Procedures</b>							
Cylinder Exhaust Port	Inspect/Clean/Decarbon	3			I / C		
<b>Do-It-Yourself Maintenance Procedures</b>							
Air Filter	Inspect/Clean/Replace	1	I / C		R*		
Choke	Inspect/Clean	2	I / C				
Fuel Filter	Inspect/Replace	1			I		R*
Fuel System, Leaks	Inspect/Replace	1	I	I / R*			
Cooling System	Inspect/Clean	2	I / C				
Muffler Spark Arrestor	Inspect/Replace	2			I / R*		
Recoil Starter Rope	Inspect/Clean	1	I / C				I / R*
Spark Plug	Inspect/Clean	2			I / C	R*	
Screws/Nuts/Bolts	Inspect/Tighten/Replace	1	I / R*				

**MAINTENANCE PROCEDURE LETTER CODES: I = INSPECT, R = REPLACE, C = CLEAN**

**IMPORTANT NOTE** - Time intervals shown are maximum. Actual use and your experience will determine the frequency of required maintenance.

**MAINTENANCE PROCEDURE NOTES:**

\* All recommendations to replace are based on the finding of damage or wear during inspection.

## AIR FILTER

### Level 1.

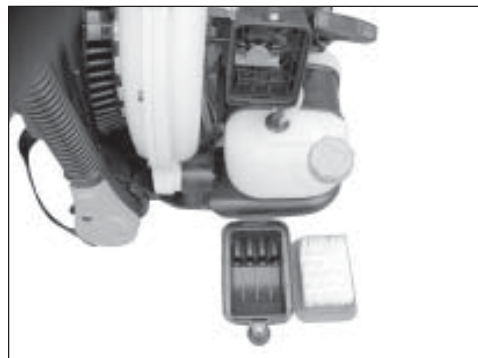
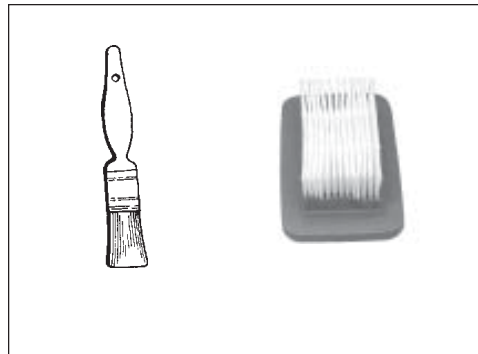
*Tools required:* 25 - 50mm (1 - 2 in.) medium bristle paint brush.

*Parts required:* Air Filter P/N A226000031

#### NOTE

Clean daily.

1. Close choke (Cold Start Position). This prevents dirt from entering the carburetor throat when the air filter is removed. Brush accumulated dirt from the air cleaner area.
2. Remove the air cleaner cover. Clean and inspect the element for damage. If element is fuel soaked and very dirty, replace.
3. If element can be cleaned and reused, be certain it:
  - still fits the cavity in the air cleaner cover.
  - is installed with the original side out.



## FUEL FILTER

### Level 1.

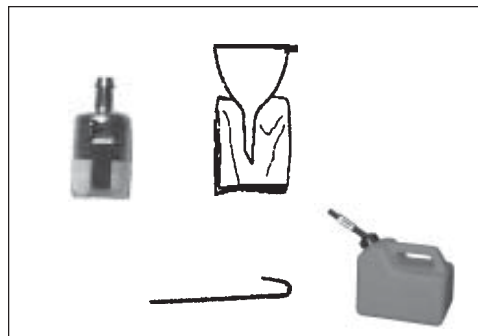
*Tools required:* Fuel line hook. 203 - 254mm (8 - 10 in.) length of wire with one end bent into a hook. Clean rag, funnel, and an approved fuel container.

*Parts required:* Fuel Filter P/N 13120519830

#### WARNING DANGER

Fuel is **VERY** flammable. Use extreme care when mixing, storing or handling.

1. Use a clean rag to remove loose dirt from around fuel cap and empty fuel tank.
2. Use the "fuel line hook" to pull the fuel line and filter from the tank.
3. Remove the filter from the line and install the new filter.



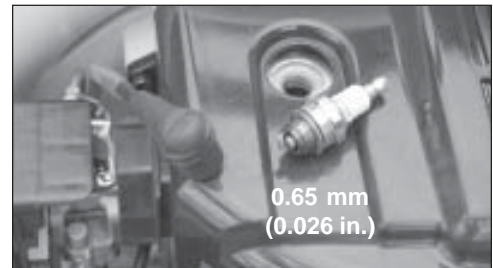
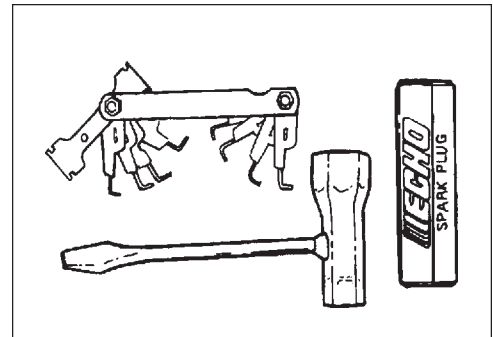
## SPARK PLUG

### Level 1.

*Tools required:* 3/4" Spark Plug deep socket, Feeler gauge (preferably a wire gauge),

*Parts Required:* Spark Plug, NGK BPMR-8Y P/N A425000000

1. Remove spark plug , and check for fouling, worn and rounded center electrode.
2. Clean the plug or replace with a new one. DO NOT sand blast to clean. Remaining sand will damage engine.
3. Adjust spark plug gap by bending outer electrode.
4. Tighten spark plug to 145-155 kg/cm (125-135 in. lb.).



## COOLING SYSTEMS CLEANING

### Level 2.

*Tools required:* 25 - 50mm (1 - 2 in.) medium bristle paint brush, Cross Head Screwdriver, Pointed Wood Stick.

*Parts Required:* None, if you are careful.

#### **IMPORTANT**

To maintain proper engine operating temperatures, cooling air must pass freely through the cylinder fin area. This flow of air carries combustion heat away from the engine.

Overheating and engine seizure can occur when:

- Air intakes are blocked, preventing cooling air from reaching the cylinder.
- Dust and grass build up on the outside of the cylinder. This build up insulates the engine and prevents the heat from leaving.

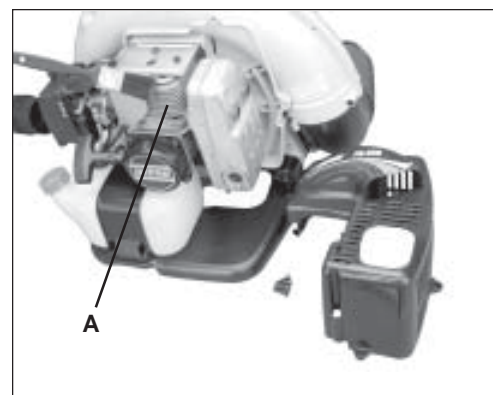
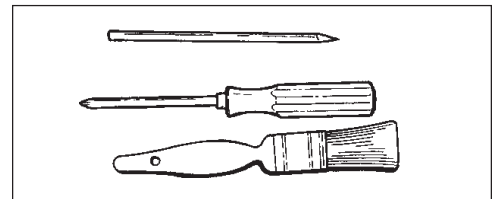
Removal of cooling passage blockages or cleaning of cooling fins is considered "Normal Maintenance". Any failure attributed to lack of maintenance is not warranted.

### Cleaning Grill

1. Remove accumulated debris from intake grill between backpack frame and blower housing.

### Cleaning Cylinder Fins

1. Remove engine cover (four screws), pull cover away from engine. Clean cylinder fins (A) to allow cooling air to pass freely.



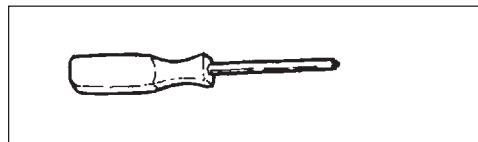
## EXHAUST SYSTEM

### *Spark Arrestor Screen*

Level 2.

*Tools required:* Cross Head Screwdriver

*Parts Required:* Spark arrestor screen P/N A31000000



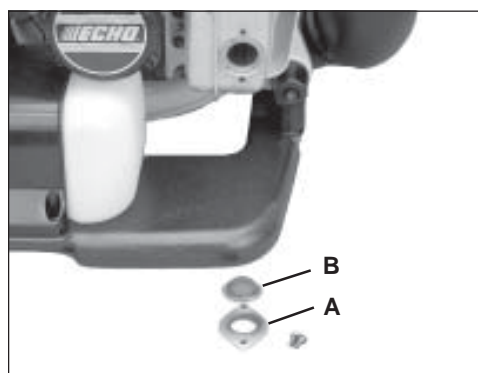
### **WARNING** **DANGER**

Do not perform maintenance on engine or muffler until engine and muffler are completely cool, otherwise serious personal injury may result.

### **IMPORTANT**

Carbon deposits in muffler will cause a drop in engine output and overheating. Spark arrestor screen must be checked periodically.

1. Remove spark plug and engine cover (four screws).
2. Remove spark arrestor cover (A) and spark arrestor screen (B) from muffler. Replace screen if plugged with carbon deposits.
3. Install spark arrestor screen, gaskets, and cover.
4. Install spark plug and engine cover.



### *Cylinder Exhaust Port*

Level 3.

### **IMPORTANT**

The cylinder exhaust port must be inspected and cleaned of excess carbon every 3 months or 90 hours of operation in order to maintain this engine within the emissions durability period. ECHO strongly recommends that you return your unit to your ECHO dealer for this important maintenance service.



## CARBURETOR ADJUSTMENT - GENERAL

### *Engine Break-In*

New engines must be operated a minimum duration of two tanks of fuel break-in before carburetor adjustments can be made. During the break-in period your engine performance will increase and exhaust emissions will stabilize. Idle speed can be adjusted as required.

### *High Altitude Adjustment*

High altitude adjustment is not required for proper operation of this engine.

#### **Level 2.**

*Tools required:* Screwdriver, tachometer (Echo P/N 99051130017)

*Parts required:* none.

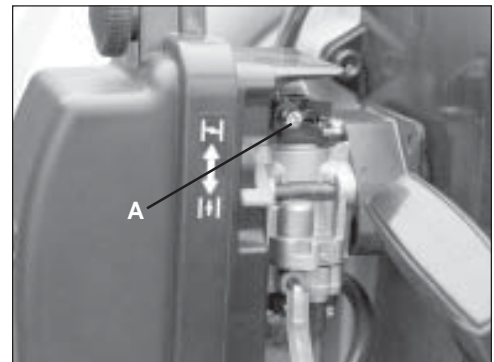
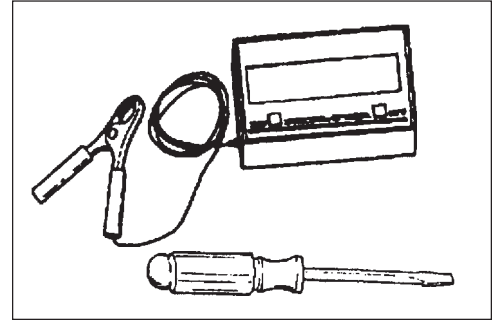
#### **NOTE**

Do not adjust carburetor unless necessary. If you have difficulty, see your ECHO dealer.

### **Before Adjustment**

Check that:

- Air filter is clean and properly installed.
  - Spark arrestor screen is free of carbon.
  - Blower pipes are installed.
1. Start engine, run at idle for one minute.
  2. Complete warm up by running at full throttle for 5 minutes, operating choke twice to clear air from carburetor chambers.
  3. Check idle speed and reset if necessary. If a tachometer is available, idle speed screw (A) should be set to the specifications found on Page 8 "Specifications" of this manual. Turn idle screw (A) clockwise to increase idle speed; counter clockwise to decrease idle speed.
  4. Use a tachometer to adjust idle speed to specifications found on page 8.



## TROUBLESHOOTING

Problem				
Engine - starts hard				
Engine - does not start			Cause	Remedy
Engine Cranks	Fuel at carburetor	No fuel at carburetor	Fuel strainer clogged Fuel line clogged Carburetor	Clean Clean See your ECHO dealer
	Fuel at cylinder	No fuel at cylinder	Carburetor	See your ECHO dealer
		Muffler wet with fuel	Fuel Mixture is too rich	Open choke Clean/replace air filter Adjust carburetor See your ECHO dealer
	Spark at end of plug wire	No spark at end of plug wire	Stop switch off Electrical problem Interlock switch	Turn switch on See your ECHO dealer See your ECHO dealer
	Spark at plug	No spark at plug	Spark gap incorrect Covered with carbon Fouled with fuel Spark plug defective	Adjust 0.65mm (0.026in.) Clean or replace Clean or replace Replace plug
	Engine does not crank		Internal engine problem	See your ECHO dealer
Engine runs	Dies or accelerates poorly		Air filter dirty Fuel filter dirty Fuel vent plugged Spark plug Carburetor Cooling system plugged Exhaust port/spark arrestor screen plugged	Clean or replace Replace Replace Clean and adjust/replace Adjust Clean Clean
Engine runs properly	Blower does not work, is weak or uneven		Blower Pipe clogged, loose or damaged	Unclog Tighten Replace

### WARNING DANGER

Fuel vapors are **extremely** flammable and may cause fire and/or explosion. **Never** test for ignition spark near an open spark plug opening, otherwise serious personal injury may result.

## STORAGE

**WARNING**  **DANGER**

During operation the muffler or catalytic muffler and surrounding cover become hot. Always keep exhaust area clear of flammable debris during transportation or when storing, otherwise serious property damage or personal injury may result.

### *Long Term Storage (Over 30 Days)*

Do not store your unit for a prolonged period of time (30 days or longer) without performing protective storage maintenance which includes the following:

1. Store unit in a dry, dust free place, out of the reach of children.
2. Place the stop switch (A) in the "STOP" position.
3. Remove accumulation of grease, oil, dirt and debris from exterior of unit.
4. Perform all periodic lubrication and services that are required.
5. Tighten all screws and nuts.
6. **Drain** the fuel tank **completely** and pull the recoil starter handle several times to remove fuel from the carburetor.
7. Remove the spark plug and pour 7cc (1/4 oz., 1/2 tablespoon) of fresh, clean ECHO 2-stroke engine oil into the cylinder through the spark plug hole.
  - A. Place a clean cloth over the spark plug hole.
  - B. Pull the recoil starter handle 2-3 times to distribute the oil inside the engine.
  - C. Observe the piston location through the spark plug hole. Pull the recoil handle slowly until the piston reaches the top of its travel and leave it there.
8. Install the spark plug (do not connect ignition cable).
9. Remove blower pipe assembly from unit.

**WARNING**  **DANGER**

Do not store in enclosure where fuel fumes may accumulate or reach an open flame or spark.

## SERVICING INFORMATION

### PARTS

Genuine ECHO Parts and ECHO REPOWER™ Parts and Assemblies for your ECHO products are available only from an Authorized ECHO Dealer. When you do need to buy parts **always** have the Model Number and Serial Number of the unit with you. You can find these numbers on the engine housing. For future reference, write them in the space provided below.

Model No. \_\_\_\_\_ SN. \_\_\_\_\_

### SERVICE

Service of this product during the warranty period must be performed by an Authorized ECHO Service Dealer. For the name and address of the Authorized ECHO Service Dealer nearest you, ask your retailer or call: 1-800-432-ECHO (3246). Dealer information is also available on our Web Site. When presenting your unit for Warranty service/repairs, proof of purchase is required.

### ECHO CONSUMER PRODUCT SUPPORT

If you require assistance or have questions concerning the application, operation or maintenance of this product you may call the ECHO Consumer Product Support Department at 1-800-673-1558 from 8:30 am to 4:30 pm (Central Standard Time) Monday through Friday. Before calling, please know the model and serial number of your unit to help your Consumer Product Support Representative.

### WARRANTY REGISTRATION

You may register your Echo equipment using the warranty registration card or register on-line at [www.echo-usa.com](http://www.echo-usa.com). Registering provides a direct link between you and ECHO if we find it necessary to contact you.

### ADDITIONAL OR REPLACEMENT MANUALS

**Safety Manuals** in English/Spanish or English/French are available, free of charge, from your ECHO dealer or at [www.echo-usa.com](http://www.echo-usa.com).

**Operator's and Parts Manuals** are available by:

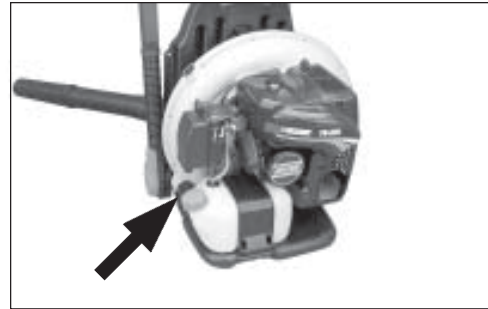
- Downloading free from [www.echo-usa.com](http://www.echo-usa.com)
- Purchasing from your Echo Dealer.
- Sending a check or money order for \$2.00 per Parts Catalog or \$1.50 per Operator's Manual made payable to ECHO, INCORPORATED. State on a sheet of paper the model number and serial number of the ECHO unit you have, part number of the manual (if known), your name and address and mail to address above.

**Safety Videos** are available from your Echo dealer. A \$5.00 shipping charge will be required for each video.

### *Available Parts Catalog*

PB-650      Serial Number 03001001 & Up      Part Number 99922203390

**ECHO**  
ECHO, INCORPORATED  
400 Oakwood Road  
Lake Zurich, IL 60047  
[www.echo-usa.com](http://www.echo-usa.com)



**DEALER?**  
Call  
**1-800-432-ECHO**  
or  
**[www.echo-usa.com](http://www.echo-usa.com)**

**CONSUMER PRODUCT  
SUPPORT**  
**1-800-673-1558**  
**8:30 - 4:30 Mon - Fri C.S.T.**





SUPPLEMENT TO OPERATOR'S MANUAL  
PART NUMBER X7501126900 (X750003020)  
FOR MODEL: PB-650  
SUPPLÉMENT AU MANUEL DE L'OPÉRATEUR  
RÉFÉRENCE X7501126900 (X750003020)  
POUR MODÈLE: PB-650

*Please use these revised instructions when assembling and stopping your Power Blower.*

## EMISSION CONTROL PAGE 6

### EPA Phase I

The emission control system for this engine is EM (Engine Modification).

An Emission Control Label is located on the unit. (This is an EXAMPLE ONLY, information on label varies by engine FAMILY).

#### IMPORTANT ENGINE INFORMATION

ENGINE FAMILY: 1EHXS.635RA

DISPLACEMENT: 63.3 cc

THIS ENGINE MEETS U.S. EPA PH1 EMISSION REGULATIONS FOR SMALL NON ROAD ENGINES. REFER TO OWNER'S MANUAL FOR MAINTENANCE SPECIFICATIONS AND ADJUSTMENTS.

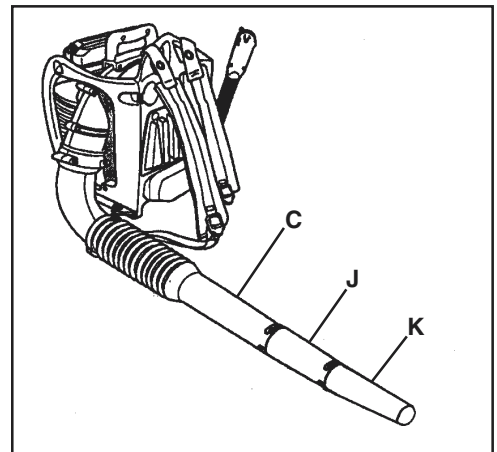
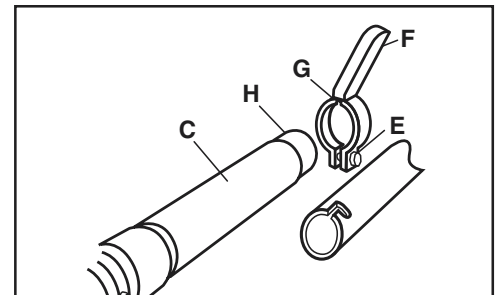
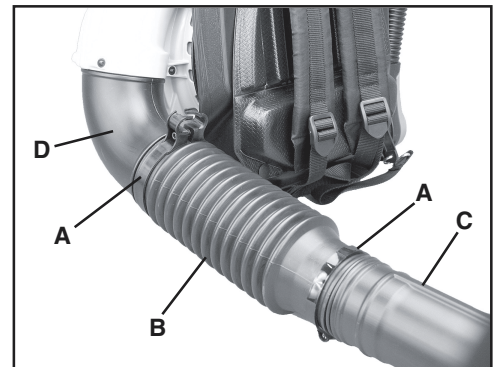


**KIORTZ CORP.**



## ASSEMBLY INSTALL BLOWER PIPES/STICK HANDLE PAGE 9

1. Assemble clamps (A) onto both ends of flexible pipe (B).
2. Assemble straight pipe with swivel (C) into flexible pipe (B).
3. Assemble flexible pipe (B) to elbow (D) on blower.
4. Tighten clamps (A).
5. Loosen wing nut (E) completely and expand open, stick handle clamp (F).
6. Align notches (G) in handle clamp with pipe pegs (H). Stick handle should be angled away from operator.
7. Slide stick handle onto pipe with swivel (C)
8. Position stick handle for comfortable operation, and tighten wing nut (E).
9. Assemble straight pipe (J) to pipe with swivel (C), turning straight pipe counter-clockwise to lock in place.
10. Assemble straight pipe (K) to straight pipe (J) turning straight pipe (K) counter-clockwise to lock in place.



## STOPPING ENGINE

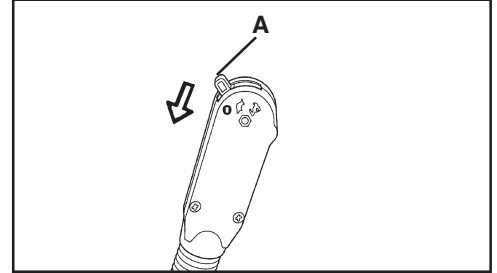
### PAGE 12

1. Move throttle lever (A) to idle detent position, and allow engine to return to idle.

#### IMPORTANT

Allow engine to return to idle before shutting off engine.

2. Move throttle lever (A) to "O" (Stop) position.



#### WARNING



#### DANGER

If engine does not stop when stop switch is moved to STOP position, close choke - COLD START position - to stall engine. Have your ECHO dealer repair stop switch before using blower again.

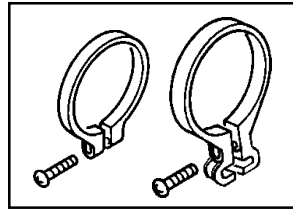
## ECHO CONSUMER PRODUCT SUPPORT

If you require assistance or have questions concerning the application, operation or maintenance of this product you may call the ECHO Consumer Product Support Department at 1-800-673-1558 from 8:30 am to 4:30 pm (Central Standard Time) Monday through Friday. Before calling, please know the model and serial number of your unit to help your Consumer Product Support Representative.

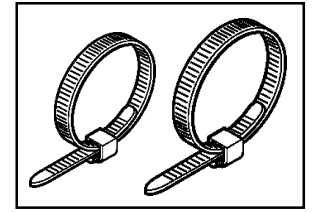


**SUPPLEMENT TO OPERATOR'S MANUALS  
FOR MODELS AND PART NUMBERS:**

**PB-403 U.S. X750002401( X7501126101)  
PB-403 Can X750002670( X7501126700)  
PB-413 U.S. X750002331( X7501126201)  
PB-603 U.S. X750002230( X7501125300)**



**Old/Viejo/Vieux**



**New/Nuevo/Nouveau**

**PB-603 Can X750002280( X7501125600)  
PB-611 U.S. X750002700( X7501126000)  
PB-650 U.S. X750002810( X7501126600)  
PB-650 Can X750003020( X7501126900)**

**Please note this change:**

The clamps provided with these models for flex pipe assembly have changed from plastic to steel for improved attachment strength. Assembly instructions are the same as provided in the "Assembly" section of the manual.

**SUPLEMENTO DEL MANUAL DEL OPERADOR  
PARA LOS NÚMEROS DE LOS MODELOS Y DE PIEZA:**

**PB-403 U.S. X750002401( X7501126101)  
PB-403 Can X750002670( X7501126700)  
PB-413 U.S. X750002331( X7501126201)  
PB-603 U.S. X750002230( X7501125300)**

**PB-603 Can X750002280( X7501125600)  
PB-611 U.S. X750002700( X7501126000)  
PB-650 U.S. X750002810( X7501126600)  
PB-650 Can X750003020( X7501126900)**

**Favor de notar este cambio.**

Las abrazaderas que vienen con este modelo para el ensamble del tubo flexible, han cambiado de plástico a metal, para mejorar el ensamble entre estas. Las instrucciones de ensamble son las mismas que se localizan en la sección de ensamble de este manual.

**SUPPLÉMENT POUR MANUEL D'Opérateur  
POUR DES MODÈLES ET DES NUMÉROS D'ARTICLE:**

**PB-403 U.S. X750002401( X7501126101)  
PB-403 Can X750002670( X7501126700)  
PB-413 U.S. X750002331( X7501126201)  
PB-603 U.S. X750002230( X7501125300)**

**PB-603 Can X750002280( X7501125600)  
PB-611 U.S. X750002700( X7501126000)  
PB-650 U.S. X750002810( X7501126600)  
PB-650 Can X750003020( X7501126900)**

**Veillez noter ce changement.**

Les colliers de serrages inclus avec ce modèle pour l'ensemble de tuyaux flexible, on été modifiés du plastique en métal pour une amélioration de la force d'attachement. Les instructions d'assemblages sont identiques à ceux fournis dans le manue dans la section "Montage".

**SUP22203420**

**99922203420  
07/01**

## Free Manuals Download Website

<http://myh66.com>

<http://usermanuals.us>

<http://www.somanuals.com>

<http://www.4manuals.cc>

<http://www.manual-lib.com>

<http://www.404manual.com>

<http://www.luxmanual.com>

<http://aubethermostatmanual.com>

Golf course search by state

<http://golfingnear.com>

Email search by domain

<http://emailbydomain.com>

Auto manuals search

<http://auto.somanuals.com>

TV manuals search

<http://tv.somanuals.com>