



AVAILABLE ATTACHMENTS & ACCESSORIES

Accessories

99944200002	i-Start Kit
99944200200	SRM Shoulder Harness Kit
99944200410	20mm Blade Conversion Kit
99944200411	20mm Blade Conversion Kit
99944200415	Universal Blade Conversion Kit
99944200455	Barrier Bar
99944200561	U-Handle_Blade Conversion Combo Kit
99944200661	U-Handle Kit
SRAC-200	Tiller/Cultivator Attachment

Attachments

99944200470	Edger Attachment
99944200480	Hedge Clipper Attachment
99944200510	Cultivator Attachment
99944200530	Power Pruner Attachment
99944200540	Grass Trimmer Attachment
99944200550	ProSweep Attachment
99944200560	ProThatch Attachment
99944200590	Articulating Hedge Clipper Attachment
99944200595	Articulating Hedge Clipper Attachment
99944200600	80 Tooth Blade Trimmer Attachment
99944200610	Rapid Loader Trimmer Attachment
99944200620	Pro Paddle

Cutting Heads

215211	Pro Maxi-Cut Head
21560030	Echomatic Pro Head
21560050	Semi-Auto Head Assembly
21560055	Semi-Auto Head Assembly
21560056	2-Line Rapid Loader
21560060	SRM Manual Dual Line Head
99944200220	Heavy Duty Fixed Line Head
99944200221	3-Line Rapid Loader
99944200230	Semi-Auto Dual Line Head
99944200250	Echomatic II Trimmer Head

PARTS CATALOG TRIMMER/ BRUSHCUTTER

25.4cc

MODEL: SERIAL NUMBERS

SRM-260SB: S/N 05001001 - 05999999

ECHO, INCORPORATED

400 Oakwood Road Lake Zurich, Illinois 60047 USA

WWW.ECHO-USA.COM



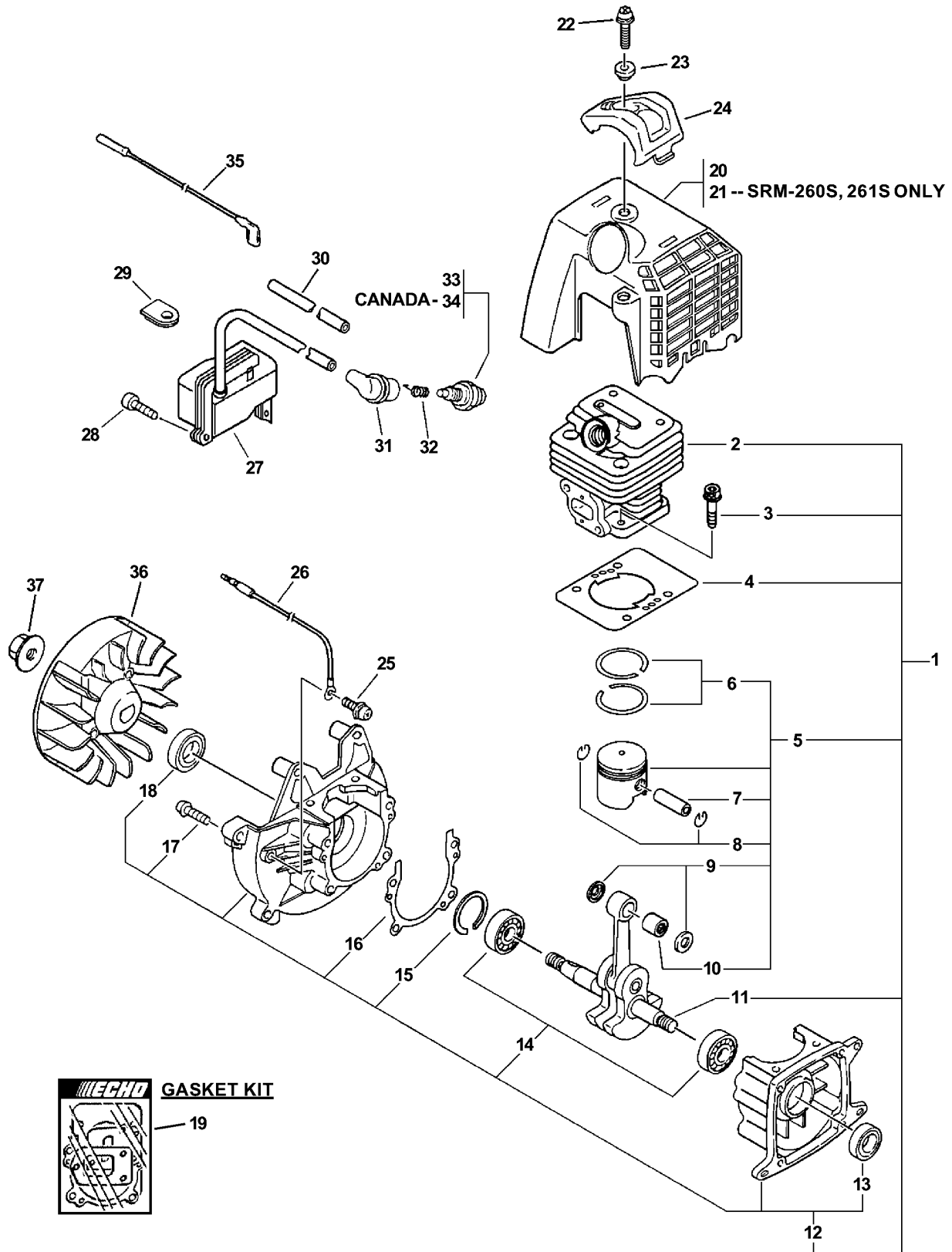
Table of Contents

Click Any Diagram Description Below To View That Diagram.

SRM-260SB S/N 05001001 - 05999999

Engine, Short Block, Ignition, Cylinder Cover.....	4
Starter, Fuel System.....	6
Clutch, Fancase.....	8
Intake.....	10
Carburetor -- WYJ-315A S/N 05001001 - 05001504.....	12
Carburetor -- WYK-186 S/N 05001505 - 05999999.....	14
Exhaust.....	16
Handle, Stop Switch, Throttle Cable, Driveshaft, Tools.....	18
Gear Case.....	20
Plastic Shield.....	22
Part Number Index.....	24
Part Description Index.....	25

This Page Intentionally Left Blank



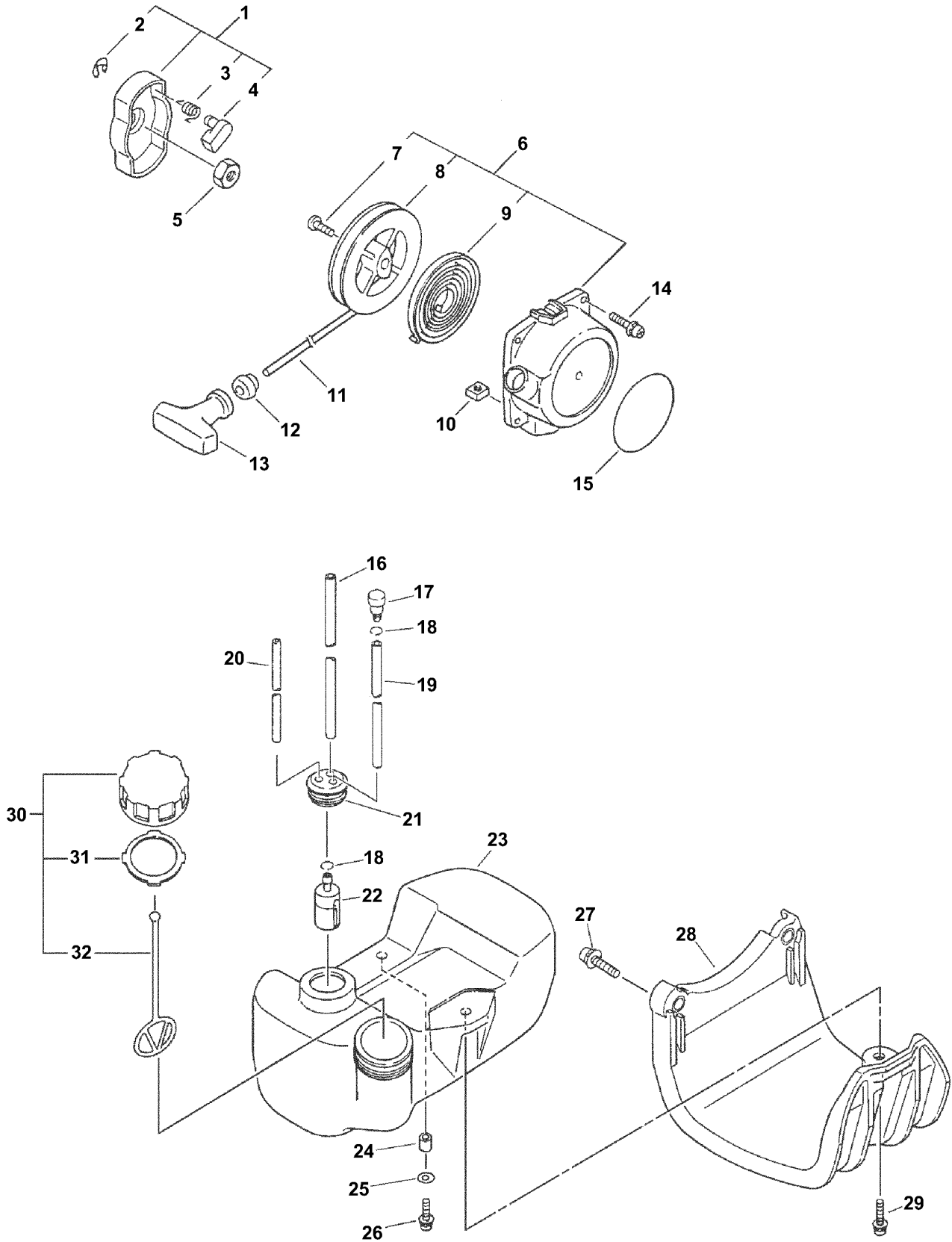
TRIMMER/ BRUSHCUTTER

Engine, Short Block, Ignition, Cylinder Cover

ITEM	PART NUMBER	QTY	DESCRIPTION	REMARKS
1	SB1060	1	SHORT BLOCK	INCLUDES ITEMS 2-18
2	A130000371	1	CYLINDER	
3	90016205022	4	BOLT 5X22	
4	V100000070	1	GASKET, CYLINDER ¹	
5	P021004740	1	PISTON KIT	INCLUDES ITEMS 6-10
6	A101000010	2	RING, PISTON	
7	V606000000	1	PIN, PISTON	
8	10001504630	2	CIRCLIP, PISTON PIN	
9	10001455930	2	SPACER, PISTON PIN	
10	V553000020	1	BEARING, NEEDLE	
11	A011000030	1	CRANKSHAFT ASY	
12	P021000940	1	CRANKCASE KIT	INCLUDES ITEMS 13-18
13	10021305530	1	OIL SEAL	
14	90080036001	2	BEARING, BALL	
15	90070200028	1	CIRCLIP 28	
16	10024255930	1	GASKET, CRANKCASE ¹	
17	90016205025	4	BOLT 5X25	
18	10021228230	1	OIL SEAL	
19	P021003970	1	GASKET KIT	
20	A160000040	1	COVER, CYLINDER	
21	A160000050	1	COVER, CYLINDER	
22	9111005016	1	BOLT 5X16	
23	V353000020	1	COLLAR 5	
24	A162000000	1	GUARD, TOP	
25	90024205010	1	SCREW 5X10	
26	16201452930	1	LEAD, GROUND	
27	A411000110	1	COIL, IGNITION	
28	90016205016	2	BOLT 5X16	
29	15611240630	1	GROMMET	
30	V475002200	1	TUBE	
31	15901203433	1	CAP, SPARK PLUG	
32	15901103432	1	TERMINAL, SPARK PLUG CAP	
33	15901019830	1	SPARK PLUG -- BPM-8Y	
34	A425000000	1	SPARK PLUG -- BPMR-8Y	CANADA MODELS
35	16201056430	1	LEAD, GROUND	
36	A409000130	1	FLYWHEEL	
37	90051500008	1	FLANGE NUT 8	

Footnotes

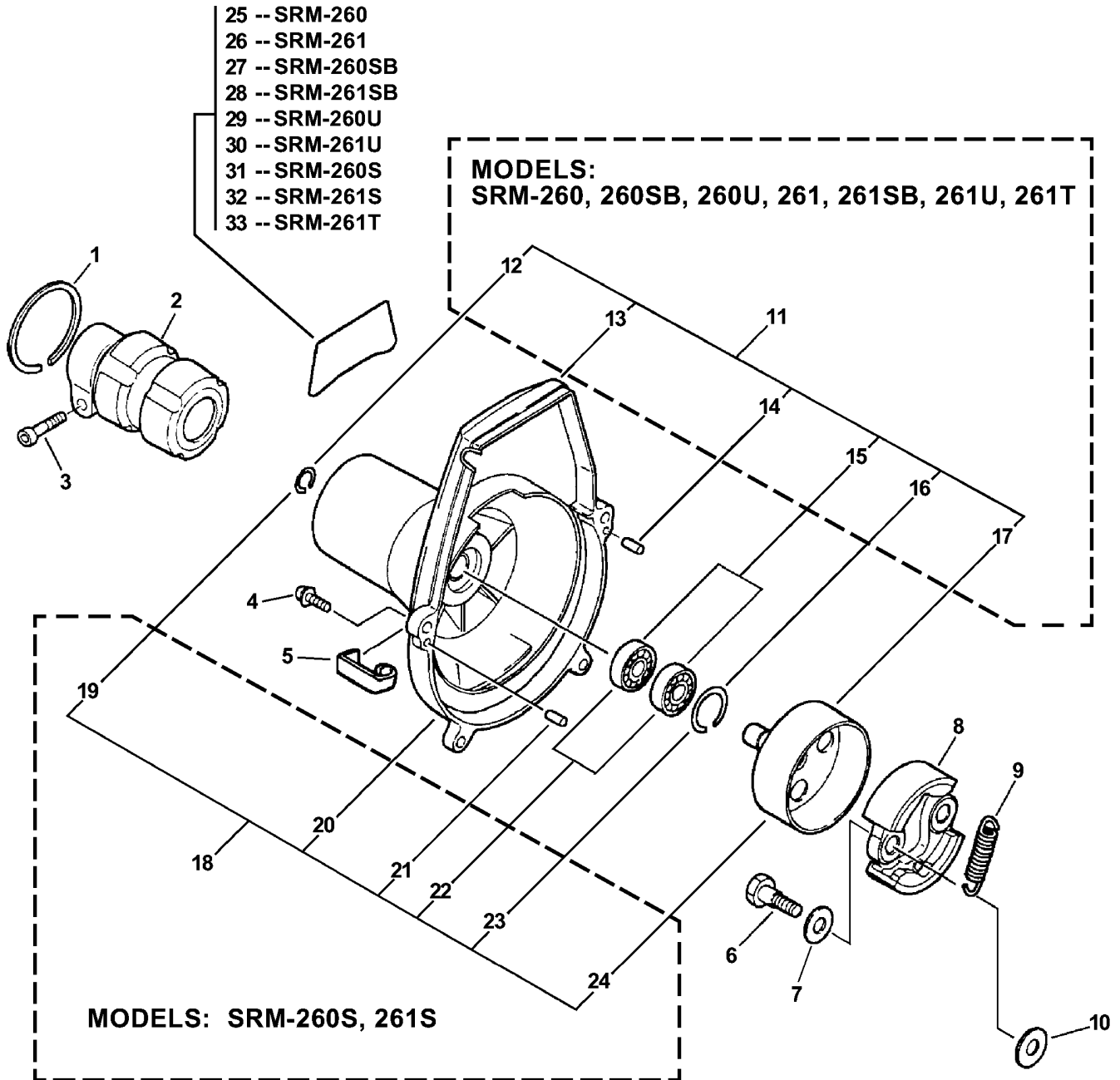
1: Also Included In GASKET KIT



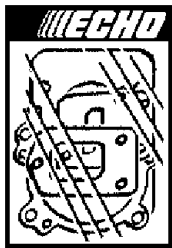
ITEM	PART NUMBER	QTY	DESCRIPTION	REMARKS
1	17720240630	1	STARTER PAWL ASY	INCLUDES ITEMS 2-4
2	90070000004	1	E-RING 4	
3	17723440630	1	SPRING, RETURN	
4	17721840630	1	PAWL, STARTER	
5	90050200008	1	NUT 8	
6	17720055931	1	STARTER ASY	INCLUDES ITEMS 7-13
7	17723644330	1	SCREW	
8	17721540630	1	DRUM, STARTER	
9	17722040630	1	SPRING, REWIND	
10	90056500005	1	NUT	
11	17722603930	1	ROPE, STARTER - 3.5X850mm ¹	
12	17722742030	1	GUIDE, ROPE	
13	17722827030	1	GRIP, STARTER	
14	9112604012	4	BOLT 4X12	
15	89011849130	1	LABEL, ECHO	
16	13201052030	1	PIPE, FUEL - 3X6X170mm ²	
17	A356000030	1	VALVE, CHECK	
18	13201326630	2	CLIP	
19	V471000110	1	PIPE, VENT - 3X6X115mm ²	
20	13201256030	1	PIPE, RETURN - 3X6X80mm ³	
21	13211555930	1	GROMMET, FUEL	
22	13120519830	1	FILTER, FUEL	
23	A350000111	1	TANK, FUEL	INCLUDES ITEM 24
24	13104528230	2	SPACER	
25	90060300005	2	WASHER 5	
26	90016205016	2	BOLT 5X16	
27	90016205022	2	BOLT 5X22	
28	30511057733	1	STAND	
29	90024405020	1	SCREW	
30	13100455530	1	FUEL TANK CAP ASY	INCLUDES ITEM 31-32
31	13101655830	1	GASKET, FUEL CAP	
32	13105156030	1	CONNECTOR, FUEL CAP	

Footnotes

- 1: BULK OPTION: 99944445000
- 2: BULK OPTION: 90015
- 3: BULK OPTION: 90017

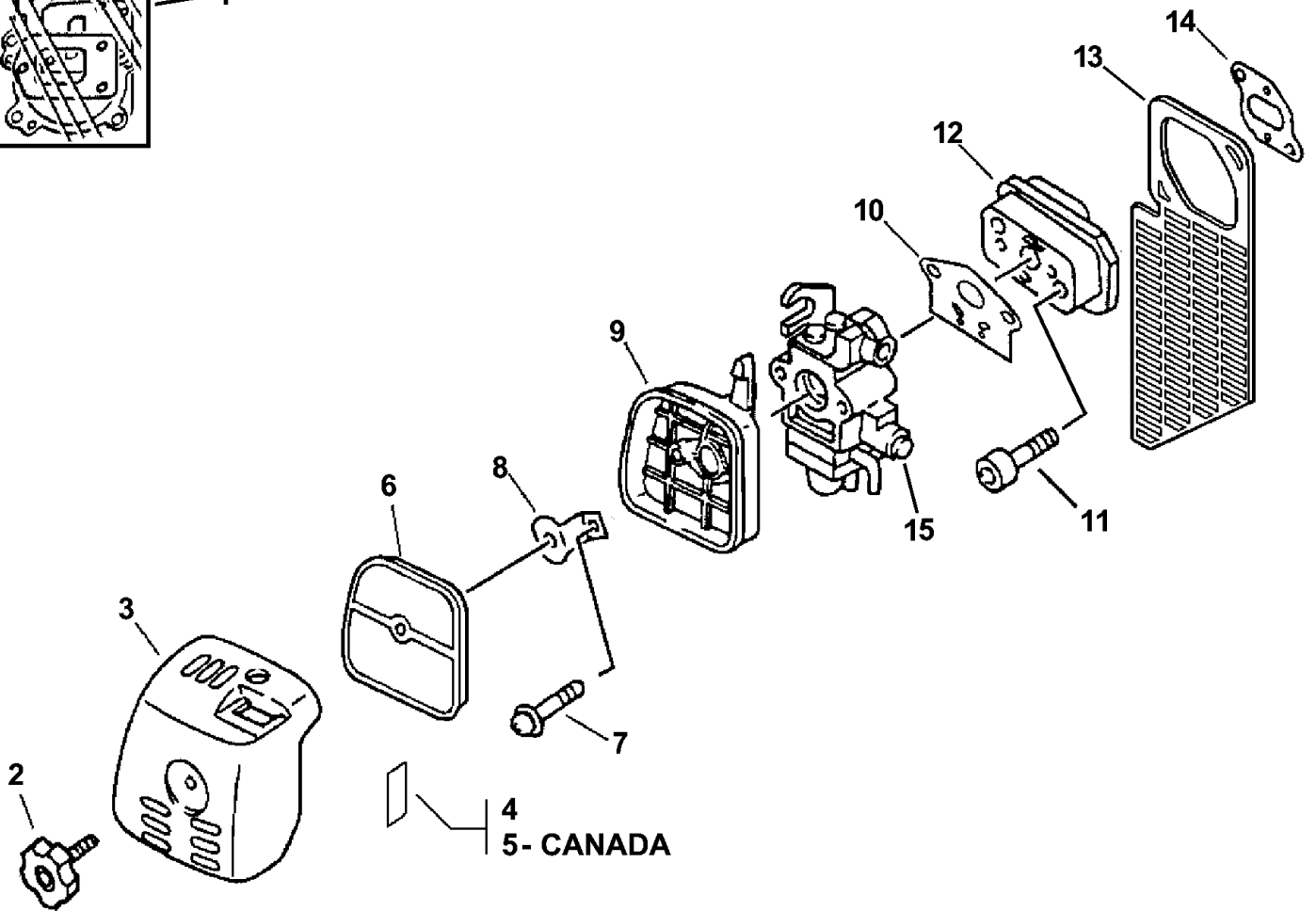


ITEM	PART NUMBER	QTY	DESCRIPTION	REMARKS
1	90070200042	1	CIRCLIP 42	
2	61092255931	1	FIXTURE, MAIN PIPE	
3	90016205028	1	BOLT 5X28	
4	90016205018	2	BOLT 5X18	
5	17811106230	1	CLIP	
6	17504656030	2	SHAFT, CLUTCH	
7	17504956030	2	WASHER	
8	A553000010	2	SHOE, CLUTCH	
9	V451000090	1	TENSION SPRING	
10	17504805530	2	WASHER	
11	P021001410	1	FAN COVER ASY	INCLUDES ITEMS 12-17
12	90070100012	1	CIRCLIP 12	
13	A172000030	1	CASE, FAN	
14	10021503930	2	DOWEL PIN	
15	90080706001	2	BEARING, BALL	
16	90070200028	1	CIRCLIP 28	
17	A556000030	1	DRUM, CLUTCH	
18	P021001460	1	FAN COVER ASY	INCLUDES ITEMS 19-24
19	90070100012	1	CIRCLIP 12	
20	A172000050	1	CASE, FAN	
21	10021503930	2	DOWEL PIN	
22	90080706001	2	BEARING, BALL	
23	90070200028	1	CIRCLIP 28	
24	A556000040	1	DRUM, CLUTCH	
25	X503000380	1	LABEL, MODEL -- SRM-260	
26	X503000390	1	LABEL, MODEL -- SRM-261	
27	X503003450	1	LABEL, MODEL -- SRM-260SB	
28	X503001600	1	LABEL, MODEL -- SRM-261SB	
29	X503004760	1	LABEL, MODEL -- SRM-260U	
30	X503004770	1	LABEL, MODEL -- SRM-261U	
31	X503000470	1	LABEL, MODEL -- SRM-260S	
32	X503001170	1	LABEL, MODEL -- SRM-261S	
33	X503006560	1	LABEL, MODEL -- SRM-261T	



GASKET KIT

1



TRIMMER/ BRUSHCUTTER

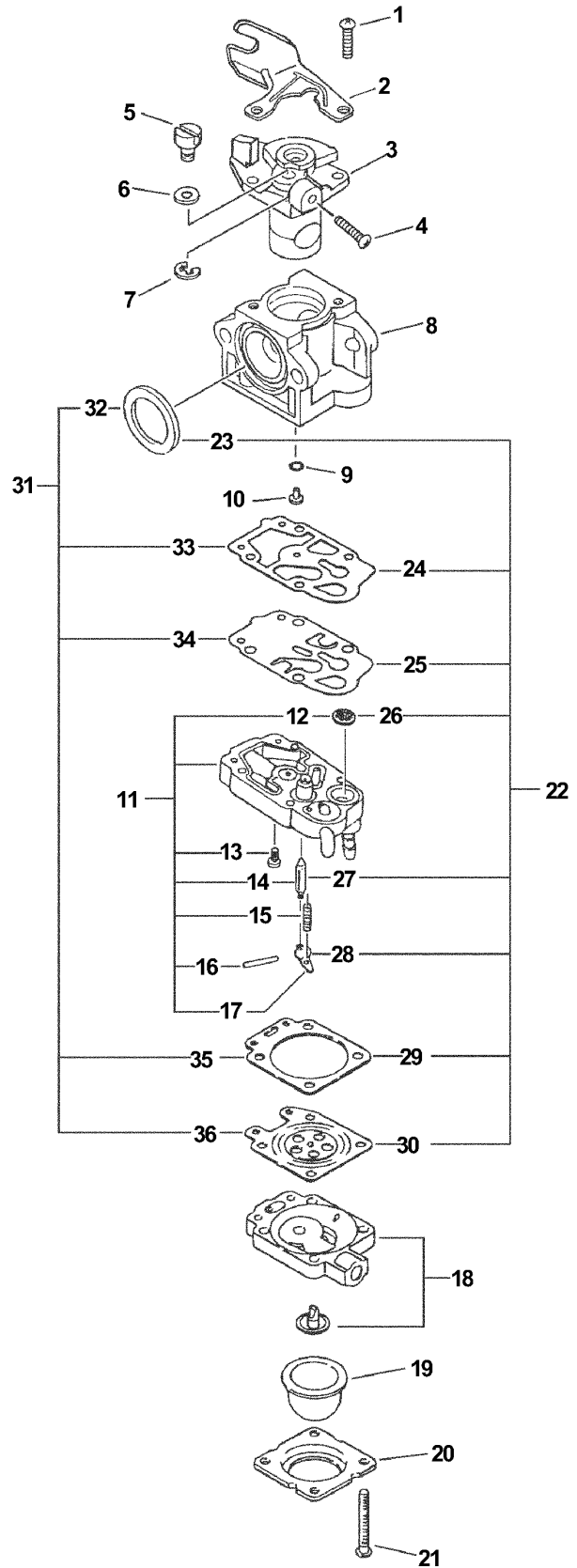
Intake

ITEM	PART NUMBER	QTY	DESCRIPTION	REMARKS
1	P021003970	1	GASKET KIT	
2	13040652131	1	KNOB, FASTENER	
3	13031357731	1	LID, AIR CLEANER	
4	89012152730	1	LABEL, CHOKE	
5	89033252730	1	LABEL, CHOKE	CANADA MODELS
6	13031051830	1	FILTER, AIR	
7	90024205060	2	SCREW 5X60	
8	12901157730	1	PLATE PREVENT	
9	P021001430	1	CASE, AIR CLEANER	
10	13001013410	1	GASKET, INTAKE ¹	
11	90016205025	2	BOLT 5X25	
12	13001756431	1	INSULATOR	
13	A128000070	1	GUARD, DEBRIS	
14	13001055930	1	GASKET, INTAKE ¹	
15	-----	1	CARBURETOR ²	

Footnotes

1: Also Included In GASKET KIT

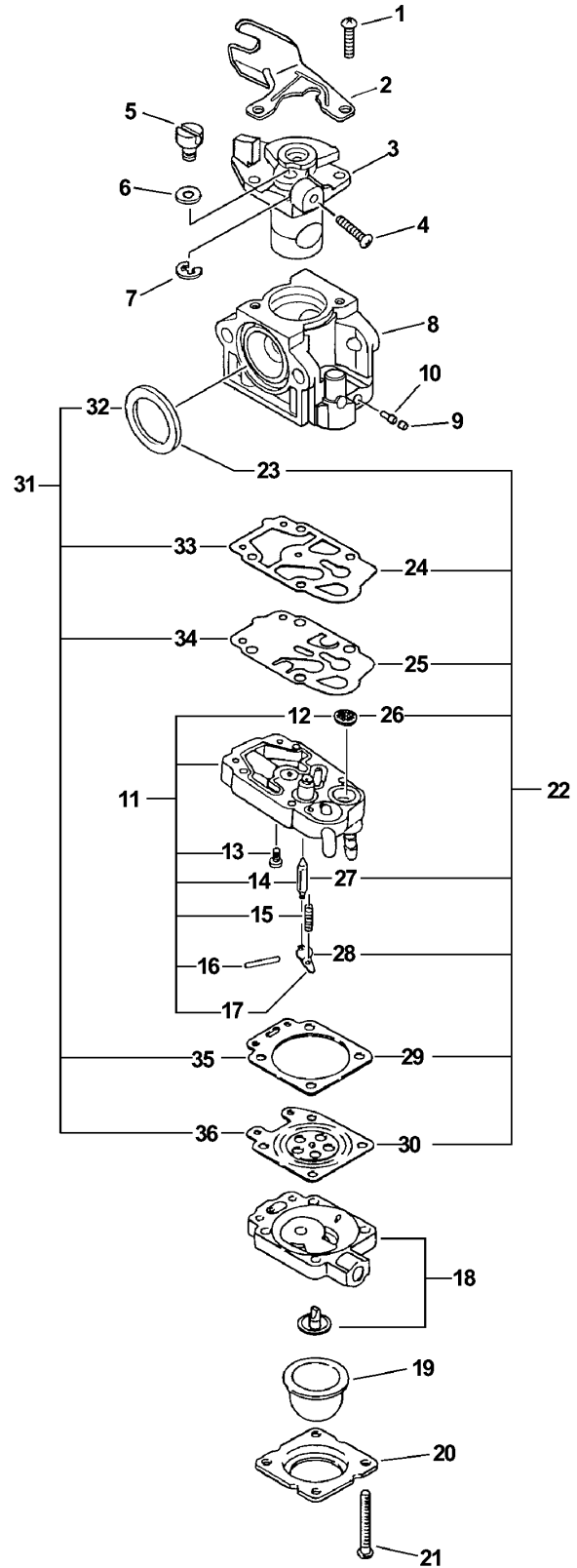
2: SEE CARBURETOR DIAGRAMS FOR MODEL APPLICATIONS AND SERIAL NUMBERS



TRIMMER/ BRUSHCUTTER

Carburetor -- WYJ-315A S/N 05001001 - 05001504

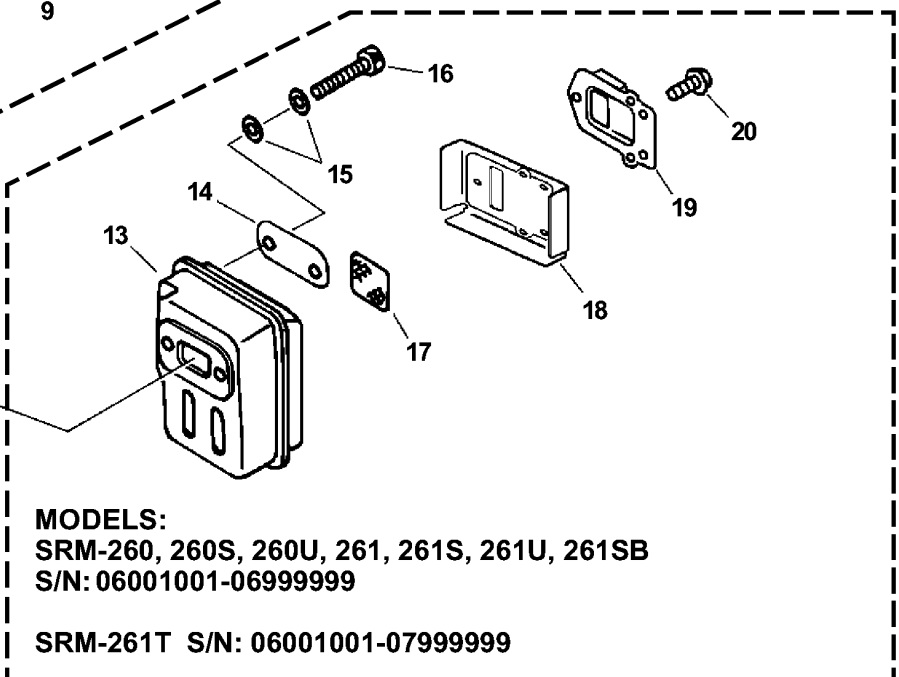
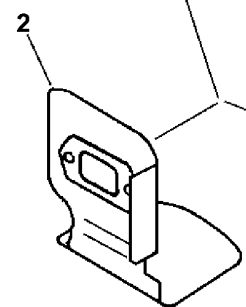
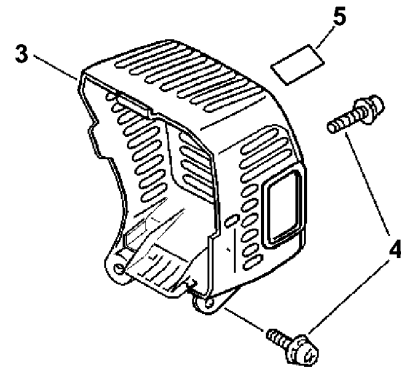
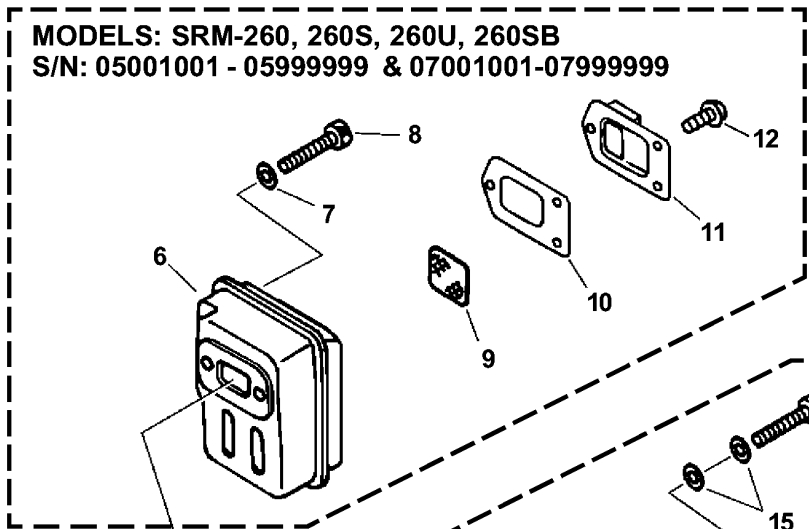
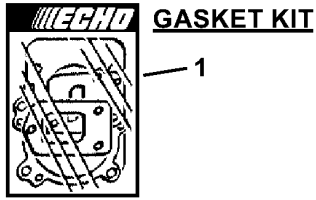
ITEM	PART NUMBER	QTY	DESCRIPTION	REMARKS
	A021000460	1	CARBURETOR -- WYJ-315A	
1	12311440630	2	SCREW, CABLE BRACKET	
2	P003000180	1	BRACKET, CABLE	
3		1	THROTTLE VALVE ASY	NOT AVAILABLE SEPARATELY
4	12313440030	1	SCREW, IDLE ADJUST	
5	12317245130	1	SWIVEL	
6	12314954230	1	WASHER	
7	12317307930	1	CLIP, SWIVEL	
8		1	BODY, CARBURETOR	NOT AVAILABLE SEPARATELY
9	12318340630	1	O-RING	
10	P003000260	1	JET	
11	12317905560	1	PUMP BODY ASY	INCLUDES ITEMS 12-17
12		1	SCREEN, INLET	
13	12313905560	1	SCREW, METERING LEVER PIN	
14		1	VALVE, INLET NEEDLE	
15	12312205560	1	SPRING, METERING LEVER	
16	12313803930	1	PIN, METERING LEVER	
17		1	LEVER, METERING	
18	12318005560	1	BODY, AIR PURGE	
19	12318140630	1	PUMP, PRIMER	
20	12314205560	1	COVER, PRIMER PUMP	
21	12311005560	4	SCREW, PUMP COVER	
22	P003000190	1	REPAIR KIT	INCLUDES ITEMS 23-30
23		1	PACKING, RING	
24		1	GASKET, PUMP	
25		1	DIAPHRAGM, PUMP	
26		1	SCREEN, INLET	
27		1	VALVE, INLET NEEDLE	
28		1	LEVER, METERING	
29		1	GASKET, METERING DIAPHRAGM	
30		1	METERING, DIAPHRAGM	
31	P003000200	1	DIAPHRAGM/GASKET KIT	INCLUDES ITEMS 32-36
32		1	PACKING, RING	
33		1	GASKET, PUMP	
34		1	DIAPHRAGM, PUMP	
35		1	GASKET, METERING DIAPHRAGM	
36		1	METERING, DIAPHRAGM	



TRIMMER/ BRUSHCUTTER

Carburetor -- WYK-186 S/N 05001505 - 05999999

ITEM	PART NUMBER	QTY	DESCRIPTION	REMARKS
	A021000700	1	CARBURETOR -- WYK-186	
1	12311440630	2	SCREW, CABLE BRACKET	
2	P003000180	1	BRACKET, CABLE	
3		1	THROTTLE VALVE ASY	NOT AVAILABLE SEPARATELY
4	12313440030	1	SCREW, IDLE ADJUST	
5	12317245130	1	SWIVEL	
6	12314954230	1	WASHER	
7	12317307930	1	CLIP, SWIVEL	
8		1	BODY, CARBURETOR	NOT AVAILABLE SEPARATELY
9	A259000000	1	CAP, LIMITER	
10	P003001130	1	NEEDLE, HIGH SPEED	
11	P003000890	1	PUMP BODY ASY	INCLUDES ITEMS 12-17
12		1	SCREEN, INLET	
13	12313905560	1	SCREW, METERING LEVER PIN	
14		1	VALVE, INLET NEEDLE	
15	12312205560	1	SPRING, METERING LEVER	
16	12313803930	1	PIN, METERING LEVER	
17		1	LEVER, METERING	
18	12318005560	1	BODY, AIR PURGE	
19	12318140630	1	PUMP, PRIMER	
20	12314205560	1	COVER, PRIMER PUMP	
21	12311005560	4	SCREW, PUMP COVER	
22	P003001120	1	REPAIR KIT	INCLUDES ITEMS 23-30
23		1	PACKING, RING	
24		1	GASKET, PUMP	
25		1	DIAPHRAGM, PUMP	
26		1	SCREEN, INLET	
27		1	VALVE, INLET NEEDLE	
28		1	LEVER, METERING	
29		1	GASKET, METERING DIAPHRAGM	
30		1	METERING, DIAPHRAGM	
31	P003001110	1	DIAPHRAGM/GASKET KIT	INCLUDES ITEMS 32-36
32		1	PACKING, RING	
33		1	GASKET, PUMP	
34		1	DIAPHRAGM, PUMP	
35		1	GASKET, METERING DIAPHRAGM	
36		1	METERING, DIAPHRAGM	



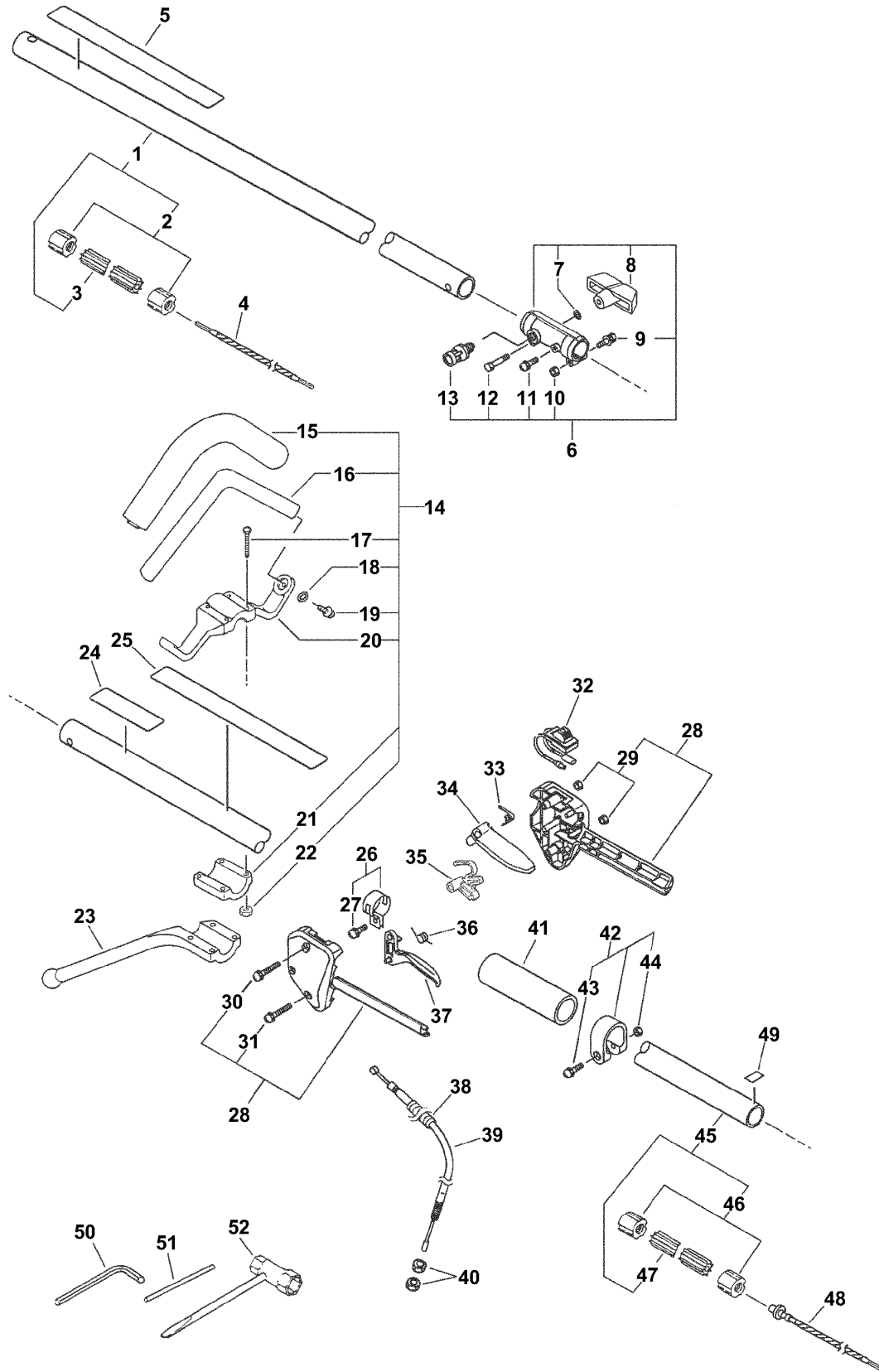
TRIMMER/ BRUSHCUTTER

Exhaust

ITEM	PART NUMBER	QTY	DESCRIPTION	REMARKS
1	P021003970	1	GASKET KIT ¹	
2	V104000061	1	SHIELD, MUFFLER ¹	
3	A320000001	1	COVER, MUFFLER	
4	90010605012	2	BOLT 5X12	
5	89016006361	1	LABEL, CAUTION - HOT	
6	14580642030	1	MUFFLER	
7	90060000005	2	WASHER	
8	90010505055	2	BOLT 5X55	
9	14586240630	1	SCREEN, MUFFLER	
10	14586642031	1	GASKET, EXHAUST ¹	
11	A313000350	1	GUIDE, EXHAUST	
12	90024204010	3	SCREW 4X10	
13	A300000141	1	MUFFLER	
14	V150000371	1	PLATE, EYE	
15	V347000000	4	CONICAL WASHER	
16	90010505055	2	BOLT 5X55	
17	14586240630	1	SCREEN, MUFFLER	
18	V104000360	1	GASKET, EXHAUST	
19	A313000130	1	GUIDE, EXHAUST	
20	9136704010	5	SCREW 4X10	

Footnotes

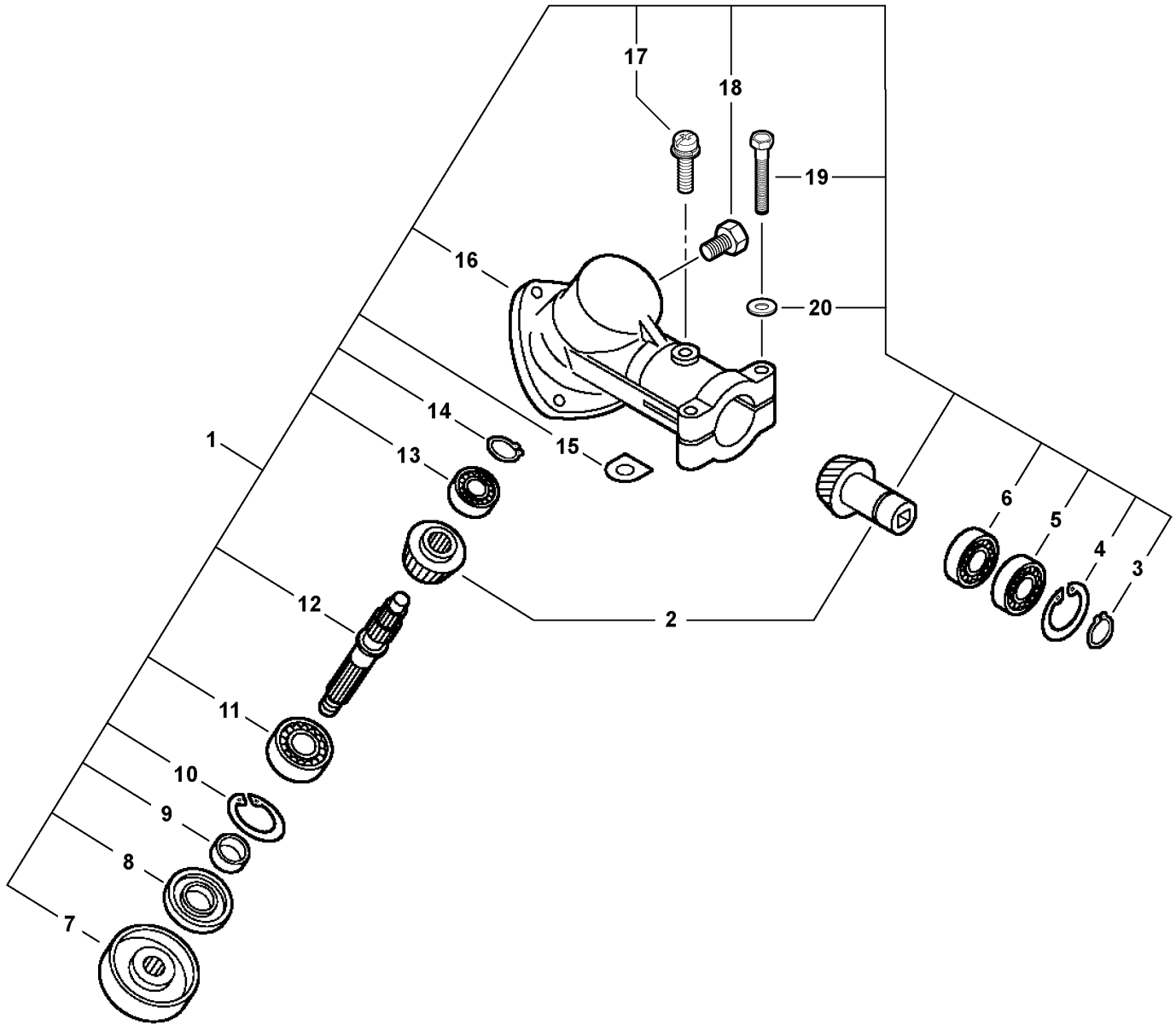
¹: Also Included In GASKET KIT



TRIMMER/ BRUSHCUTTER

Handle, Stop Switch, Throttle Cable, Driveshaft, Tools

ITEM	PART NUMBER	QTY	DESCRIPTION	REMARKS
1	61020654130	1	MAIN PIPE ASY - LOWER	INCLUDES ITEMS 2-3
2	61024644730	2	STOPPER	
3	61021752630	1	LINER, FLEXIBLE - LOWER	
4	C506000000	1	DRIVESHAFT - FLEXIBLE - LOWER	
5	89016054130	1	LABEL, CAUTION	
6	P021004350	1	COUPLER ASY	INCLUDES ITEM 7-13
7	V304000040	1	WASHER	
8	V299000160	1	KNOB	
9	90010506025	1	BOLT 5X25	
10	90051400006	1	NUT 6	
11	90010506010	1	BOLT 6X10	
12	9108506040	1	BOLT 6X40	
13	17830256630	1	LATCH ASY	
14	P021000021	1	FRONT HANDLE ASY	INCLUDES ITEMS 15-22
15	35121666230	1	GRIP, HANDLE	
16	35120566230	1	HANDLE, FRONT	
17	90024205035	4	SCREW 5X35	
18	90060000005	2	WASHER 5	
19	88995021060	2	SCREW 5	
20	35123266230	1	BRACKET, HANDLE - UPPER	
21	35122507130	1	BRACKET, HANDLE - LOWER	
22	90050000005	4	NUT 5	
23	99944200455	1	BAR, BARRIER	
24	89022809560	1	LABEL, CAUTION - SPANISH	
25	89016054130	1	LABEL, CAUTION	
26	30120029430	1	BAND KIT	INCLUDES ITEM 27
27	90024205014	1	SCREW 5X14	
28	17800352130	1	BRACKET SET THROTTLE	INCLUDES ITEMS 29-31
29	90050000005	2	NUT 5	
30	90024205035	1	SCREW 5X35	
31	90024205025	1	SCREW 5X25	
32	16340049330	1	SWITCH, IGNITION	
33	17801352630	1	SPRING, THROTTLE TRIGGER LOCKOUT	
34	17809052630	1	LEVER, THROTTLE TRIGGER LOCKOUT	
35	17801252630	1	LOCKOUT, THROTTLE TRIGGER	
36	17804342230	1	SPRING, THROTTLE RETURN	
37	17801052130	1	TRIGGER, THROTTLE	
38	16211056530	1	TUBE	
39	V430000140	1	THROTTLE, CABLE	
40	90050200006	2	NUT 6	
41	35121352130	1	GRIP, FRONT HANDLE	
42	61027252130	1	BAND KIT	INCLUDES ITEMS 43-44
43	90024205028	1	SCREW 5X28	
44	90050000005	1	NUT 5	
45	61020656730	1	MAIN PIPE ASY - UPPER	INCLUDES ITEMS 46-47
46	61024644730	2	STOPPER	
47	61021756730	1	LINER, FLEXIBLE - UPPER	
48	C506000041	1	DRIVESHAFT, FLEXIBLE - UPPER	
49	89015204930	1	LABEL, ALIGNMENT	
50	89561000130	1	L-WRENCH - 4mm	
51	89751801131	1	TOOL, BAR	
52	89541008030	1	WRENCH W/SCREWDRIVER	

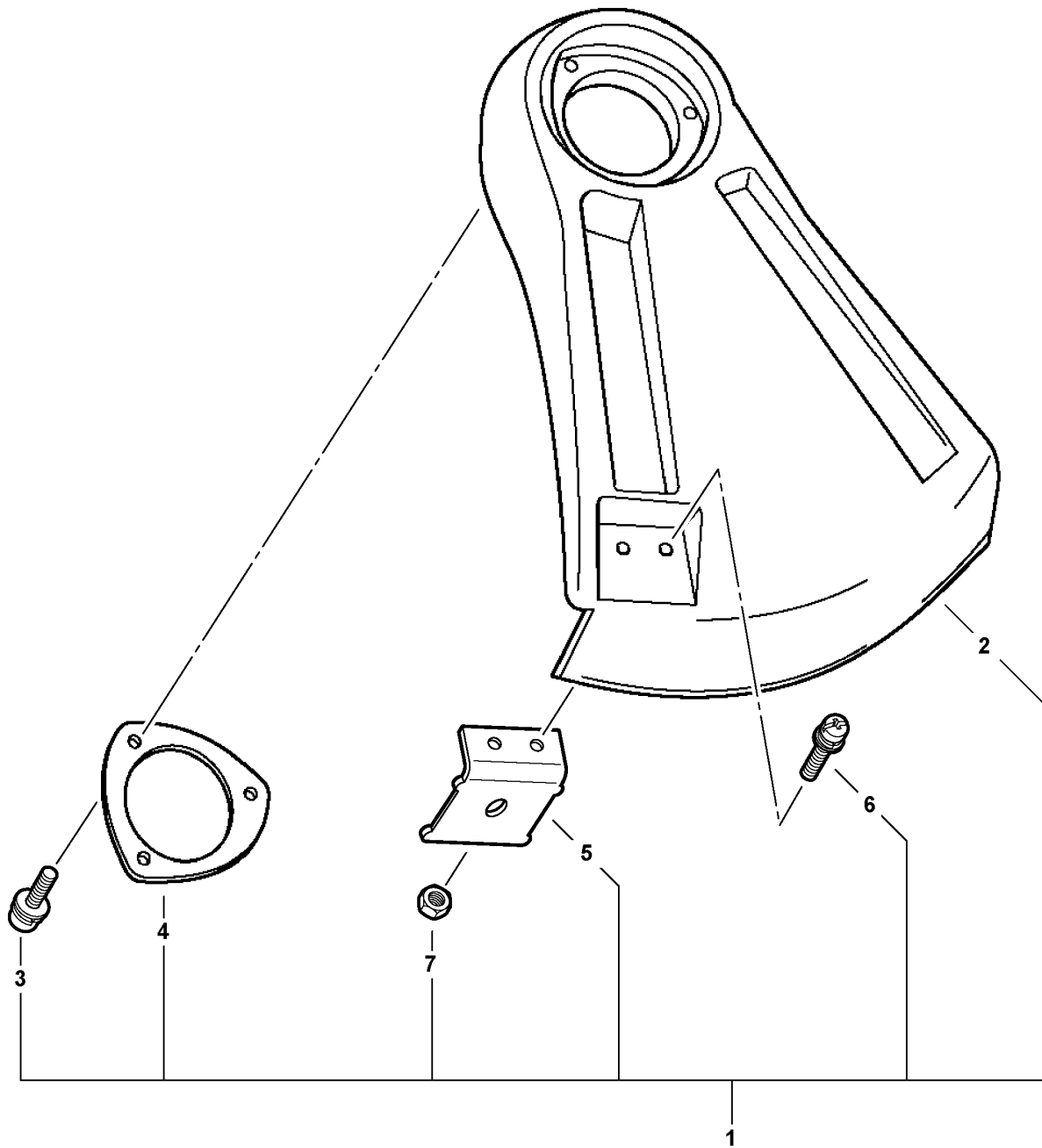


032 0001 000

TRIMMER/ BRUSHCUTTER

Gear Case

ITEM	PART NUMBER	QTY	DESCRIPTION	REMARKS
1	61040247732	1	GEAR CASE ASY	INCLUDES ITEMS 2-20
2	61030044830	1	GEAR SET	
3	90070600012	1	CIRCLIP 12	
4	90070200022	1	CIRCLIP 22	
5	90085806900	1	BEARING, BALL - 6900Z	
6	90085506900	1	BEARING, BALL - 6900	
7	61031347731	1	PLATE, ADAPTER (UPPER)	
8	61041307130	1	OIL SEAL	
9	61031507130	1	SPACER	
10	90070200032	1	CIRCLIP 32	
11	90081006201	1	BEARING, BALL - 6201	
12	61036008931	1	SHAFT, P.T.O.	
13	90080000609	1	BEARING, BALL - 609	
14	90070600010	1	CIRCLIP 10	
15	61023904130	2	WASHER, SHIM	
16	61046027431	1	HOUSING, GEAR	
17	90024205010	1	SCREW 5X10	
18	61043450031	1	BOLT 8X8	
19	90010005035	2	BOLT 5X35	
20	90060000005	2	WASHER 5	



034 0001 000

ITEM	PART NUMBER	QTY	DESCRIPTION	REMARKS
1	P021001392	1	PLASTIC SHIELD KIT	INCLUDES ITEMS 2-7
2	C550000031	1	SHIELD - PLASTIC	
3	90023805020	3	SCREW 5X20	
4	C552000110	1	BRACKET, SHIELD	
5	69901644330	1	CUTTER	
6	90023805016	2	SCREW 5X16	
7	90050000005	2	NUT 5	



Part Number Index

Click The Page Number After Any Part Number To View The Diagram Containing That Part.

Part Number	Page	Part Number	Page	Part Number	Page	Part Number	Page
-----	11	35121352130	19	90085806900	21	X503004770	9
-----	13, 15	35121666230	19	9108506040	19	X503006560	9
10001455930	5	35122507130	19	9111005016	5		
10001504630	5	35123266230	19	9112604012	7		
10021228230	5	61020654130	19	9136704010	17		
10021305530	5	61020656730	19	99944200455	19		
10021503930	9	61021752630	19	A011000030	5		
10024255930	5	61021756730	19	A021000460	13		
12311005560	13, 15	61023904130	21	A021000700	15		
12311440630	13, 15	61024644730	19	A101000010	5		
12312205560	13, 15	61027252130	19	A128000070	11		
12313440030	13, 15	61030044830	21	A130000371	5		
12313803930	13, 15	61031347731	21	A160000040	5		
12313905560	13, 15	61031507130	21	A160000050	5		
12314205560	13, 15	61036008931	21	A162000000	5		
12314954230	13, 15	61040247732	21	A172000030	9		
12317245130	13, 15	61041307130	21	A172000050	9		
12317307930	13, 15	61043450031	21	A259000000	15		
12317905560	13	61046027431	21	A300000141	17		
12318005560	13, 15	61092255931	9	A313000130	17		
12318140630	13, 15	69901644330	23	A313000350	17		
12318340630	13	88995021060	19	A320000001	17		
12901157730	11	89011849130	7	A350000111	7		
13001013410	11	89012152730	11	A356000030	7		
13001055930	11	89015204930	19	A409000130	5		
13001756431	11	89016006361	17	A411000110	5		
13031051830	11	89016054130	19	A425000000	5		
13031357731	11	89022809560	19	A553000010	9		
13040652131	11	89033252730	11	A556000030	9		
13100455530	7	89541008030	19	A556000040	9		
13101655830	7	89561000130	19	C506000000	19		
13104528230	7	89751801131	19	C506000041	19		
13105156030	7	90010005035	21	C550000031	23		
13120519830	7	90010505055	17	C552000110	23		
13201052030	7	90010506010	19	P003000180	13, 15		
13201256030	7	90010506025	19	P003000190	13		
13201326630	7	90010605012	17	P003000200	13		
13211555930	7	90016205016	5, 7	P003000260	13		
14580642030	17	90016205018	9	P003000890	15		
14586240630	17	90016205022	5, 7	P003001110	15		
14586642031	17	90016205025	5, 11	P003001120	15		
15611240630	5	90016205028	9	P003001130	15		
15901019830	5	90023805016	23	P021000021	19		
15901103432	5	90023805020	23	P021000940	5		
15901203433	5	90024204010	17	P021001392	23		
16201056430	5	90024205010	5, 21	P021001410	9		
16201452930	5	90024205014	19	P021001430	11		
16211056530	19	90024205025	19	P021001460	9		
16340049330	19	90024205028	19	P021003970	5, 11, 17		
17504656030	9	90024205035	19	P021004350	19		
17504805530	9	90024205060	11	P021004740	5		
17504956030	9	90024405020	7	SB1060	5		
17720055931	7	90050000005	19, 23	V100000070	5		
17720240630	7	90050200006	19	V104000061	17		
17721540630	7	90050200008	7	V104000360	17		
17721840630	7	90051400006	19	V150000371	17		
17722040630	7	90051500008	5	V299000160	19		
17722603930	7	90056500005	7	V304000040	19		
17722742030	7	90060000005	17, 19, 21	V347000000	17		
17722827030	7	90060300005	7	V353000020	5		
17723440630	7	90070000004	7	V430000140	19		
17723644330	7	90070100012	9	V451000090	9		
17800352130	19	90070200022	21	V471000110	7		
17801052130	19	90070200028	5, 9	V475002200	5		
17801252630	19	90070200032	21	V553000020	5		
17801352630	19	90070200042	9	V606000000	5		
17804342230	19	90070600010	21	X503000380	9		
17809052630	19	90070600012	21	X503000390	9		
17811106230	9	90080000609	21	X503000470	9		
17830256630	19	90080036001	5	X503001170	9		
30120029430	19	90080706001	9	X503001600	9		
30511057733	7	90081006201	21	X503003450	9		
35120566230	19	90085506900	21	X503004760	9		



Part Description Index

Click The Page Number After Any Part Description To View The Diagram Containing That Part.

B

BAND KIT.....19
 BAR, BARRIER.....19
 BEARING, BALL.....5, 9
 BEARING, BALL - 609.....21
 BEARING, BALL - 6201.....21
 BEARING, BALL - 6900.....21
 BEARING, BALL - 6900Z.....21
 BEARING, NEEDLE.....5
 BODY, AIR PURGE.....13, 15
 BODY, CARBURETOR.....13, 15
 BOLT 4X12.....7
 BOLT 5X12.....17
 BOLT 5X16.....5, 7
 BOLT 5X18.....9
 BOLT 5X22.....5, 7
 BOLT 5X25.....5, 11, 19
 BOLT 5X28.....9
 BOLT 5X35.....21
 BOLT 5X55.....17
 BOLT 6X10.....19
 BOLT 6X40.....19
 BOLT 8X8.....21
 BRACKET SET THROTTLE.....19
 BRACKET, CABLE.....13, 15
 BRACKET, HANDLE - LOWER.....19
 BRACKET, HANDLE - UPPER.....19
 BRACKET, SHIELD.....23

C

CAP, LIMITER.....15
 CAP, SPARK PLUG.....5
 CARBURETOR.....11
 CARBURETOR -- WYJ-315A.....13
 CARBURETOR -- WYK-186.....15
 CASE, AIR CLEANER.....11
 CASE, FAN.....9
 CIRCLIP 10.....21
 CIRCLIP 12.....9, 21
 CIRCLIP 22.....21
 CIRCLIP 28.....5, 9
 CIRCLIP 32.....21
 CIRCLIP 42.....9
 CIRCLIP, PISTON PIN.....5
 CLIP.....7, 9
 CLIP, SWIVEL.....13, 15
 COIL, IGNITION.....5
 COLLAR 5.....5
 CONICAL WASHER.....17
 CONNECTOR, FUEL CAP.....7
 COUPLER ASY.....19
 COVER, CYLINDER.....5
 COVER, MUFFLER.....17
 COVER, PRIMER PUMP.....13, 15
 CRANKCASE KIT.....5
 CRANKSHAFT ASY.....5
 CUTTER.....23
 CYLINDER.....5

D

DIAPHRAGM, PUMP.....13, 15
 DIAPHRAGM/GASKET KIT.....13, 15
 DOWEL PIN.....9
 DRIVESHAFT - FLEXIBLE - LOWER.....19

DRIVESHAFT, FLEXIBLE - UPPER.....19
 DRUM, CLUTCH.....9
 DRUM, STARTER.....7

E

E-RING 4.....7

F

FAN COVER ASY.....9
 FILTER, AIR.....11
 FILTER, FUEL.....7
 FIXTURE, MAIN PIPE.....9
 FLANGE NUT 8.....5
 FLYWHEEL.....5
 FRONT HANDLE ASY.....19
 FUEL TANK CAP ASY.....7

G

GASKET KIT.....5, 11, 17
 GASKET, CRANKCASE.....5
 GASKET, CYLINDER.....5
 GASKET, EXHAUST.....17
 GASKET, FUEL CAP.....7
 GASKET, INTAKE.....11
 GASKET, METERING DIAPHRAGM.....13, 15
 GASKET, PUMP.....13, 15
 GEAR CASE ASY.....21
 GEAR SET.....21
 GRIP, FRONT HANDLE.....19
 GRIP, HANDLE.....19
 GRIP, STARTER.....7
 GROMMET.....5
 GROMMET, FUEL.....7
 GUARD, DEBRIS.....11
 GUARD, TOP.....5
 GUIDE, EXHAUST.....17
 GUIDE, ROPE.....7

H

HANDLE, FRONT.....19
 HOUSING, GEAR.....21

I

INSULATOR.....11

J

JET.....13

K

KNOB.....19
 KNOB, FASTENER.....11

L

LABEL, ALIGNMENT.....19
 LABEL, CAUTION.....19
 LABEL, CAUTION - HOT.....17
 LABEL, CAUTION - SPANISH.....19
 LABEL, CHOKE.....11
 LABEL, ECHO.....7
 LABEL, MODEL -- SRM-260.....9
 LABEL, MODEL -- SRM-260S.....9
 LABEL, MODEL -- SRM-260SB.....9

LABEL, MODEL -- SRM-260U.....9
 LABEL, MODEL -- SRM-261.....9
 LABEL, MODEL -- SRM-261S.....9
 LABEL, MODEL -- SRM-261SB.....9
 LABEL, MODEL -- SRM-261T.....9
 LABEL, MODEL -- SRM-261U.....9
 LATCH ASY.....19
 LEAD, GROUND.....5
 LEVER, METERING.....13, 15
 LEVER, THROTTLE TRIGGER LOCKOUT.....19
 LID, AIR CLEANER.....11
 LINER, FLEXIBLE - LOWER.....19
 LINER, FLEXIBLE - UPPER.....19
 LOCKOUT, THROTTLE TRIGGER.....19
 L-WRENCH - 4mm.....19

M

MAIN PIPE ASY - LOWER.....19
 MAIN PIPE ASY - UPPER.....19
 METERING, DIAPHRAGM.....13, 15
 MUFFLER.....17

N

NEEDLE, HIGH SPEED.....15
 NUT.....7
 NUT 5.....19, 23
 NUT 6.....19
 NUT 8.....7

O

OIL SEAL.....5, 21
 O-RING.....13

P

PACKING, RING.....13, 15
 PAWL, STARTER.....7
 PIN, METERING LEVER.....13, 15
 PIN, PISTON.....5
 PIPE, FUEL - 3X6X170mm.....7
 PIPE, RETURN - 3X6X80mm.....7
 PIPE, VENT - 3X6X115mm.....7
 PISTON KIT.....5
 PLASTIC SHIELD KIT.....23
 PLATE PREVENT.....11
 PLATE, ADAPTER (UPPER).....21
 PLATE, EYE.....17
 PUMP BODY ASY.....13, 15
 PUMP, PRIMER.....13, 15

R

REPAIR KIT.....13, 15
 RING, PISTON.....5
 ROPE, STARTER - 3.5X850mm.....7

S

SCREEN, INLET.....13, 15
 SCREEN, MUFFLER.....17
 SCREW.....7
 SCREW 4X10.....17
 SCREW 5.....19
 SCREW 5X10.....5, 21
 SCREW 5X14.....19
 SCREW 5X16.....23



Part Description Index (continued)

SCREW 5X20.....23
 SCREW 5X25.....19
 SCREW 5X28.....19
 SCREW 5X35.....19
 SCREW 5X60.....11
 SCREW, CABLE BRACKET.....13, 15
 SCREW, IDLE ADJUST.....13, 15
 SCREW, METERING LEVER PIN.....13, 15
 SCREW, PUMP COVER.....13, 15
 SHAFT, CLUTCH.....9
 SHAFT, P.T.O.....21
 SHIELD - PLASTIC.....23
 SHIELD, MUFFLER.....17
 SHOE, CLUTCH.....9
 SHORT BLOCK.....5
 SPACER.....7, 21
 SPACER, PISTON PIN.....5
 SPARK PLUG -- BPM-8Y.....5
 SPARK PLUG -- BPMR-8Y.....5
 SPRING, METERING LEVER.....13, 15
 SPRING, RETURN.....7
 SPRING, REWIND.....7
 SPRING, THROTTLE RETURN.....19
 SPRING, THROTTLE TRIGGER LOCKOUT.....19
 STAND.....7
 STARTER ASY.....7
 STARTER PAWL ASY.....7
 STOPPER.....19
 SWITCH, IGNITION.....19
 SWIVEL.....13, 15

T

TANK, FUEL.....7
 TENSION SPRING.....9
 TERMINAL, SPARK PLUG CAP.....5
 THROTTLE VALVE ASY.....13, 15
 THROTTLE, CABLE.....19
 TOOL, BAR.....19
 TRIGGER, THROTTLE.....19
 TUBE.....5, 19

V

VALVE, CHECK.....7
 VALVE, INLET NEEDLE.....13, 15

W

WASHER.....9, 13, 15, 17, 19
 WASHER 5.....7, 19, 21
 WASHER, SHIM.....21
 WRENCH W/SCREWDRIVER.....19

NOTES



ECHO, INCORPORATED

400 Oakwood Road
Lake Zurich, IL 60047 USA

WWW.ECHO-USA.COM

Free Manuals Download Website

<http://myh66.com>

<http://usermanuals.us>

<http://www.somanuals.com>

<http://www.4manuals.cc>

<http://www.manual-lib.com>

<http://www.404manual.com>

<http://www.luxmanual.com>

<http://aubethermostatmanual.com>

Golf course search by state

<http://golfingnear.com>

Email search by domain

<http://emailbydomain.com>

Auto manuals search

<http://auto.somanuals.com>

TV manuals search

<http://tv.somanuals.com>