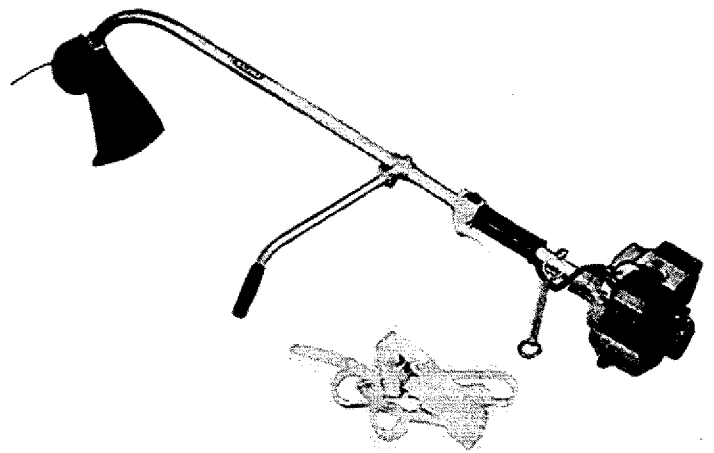


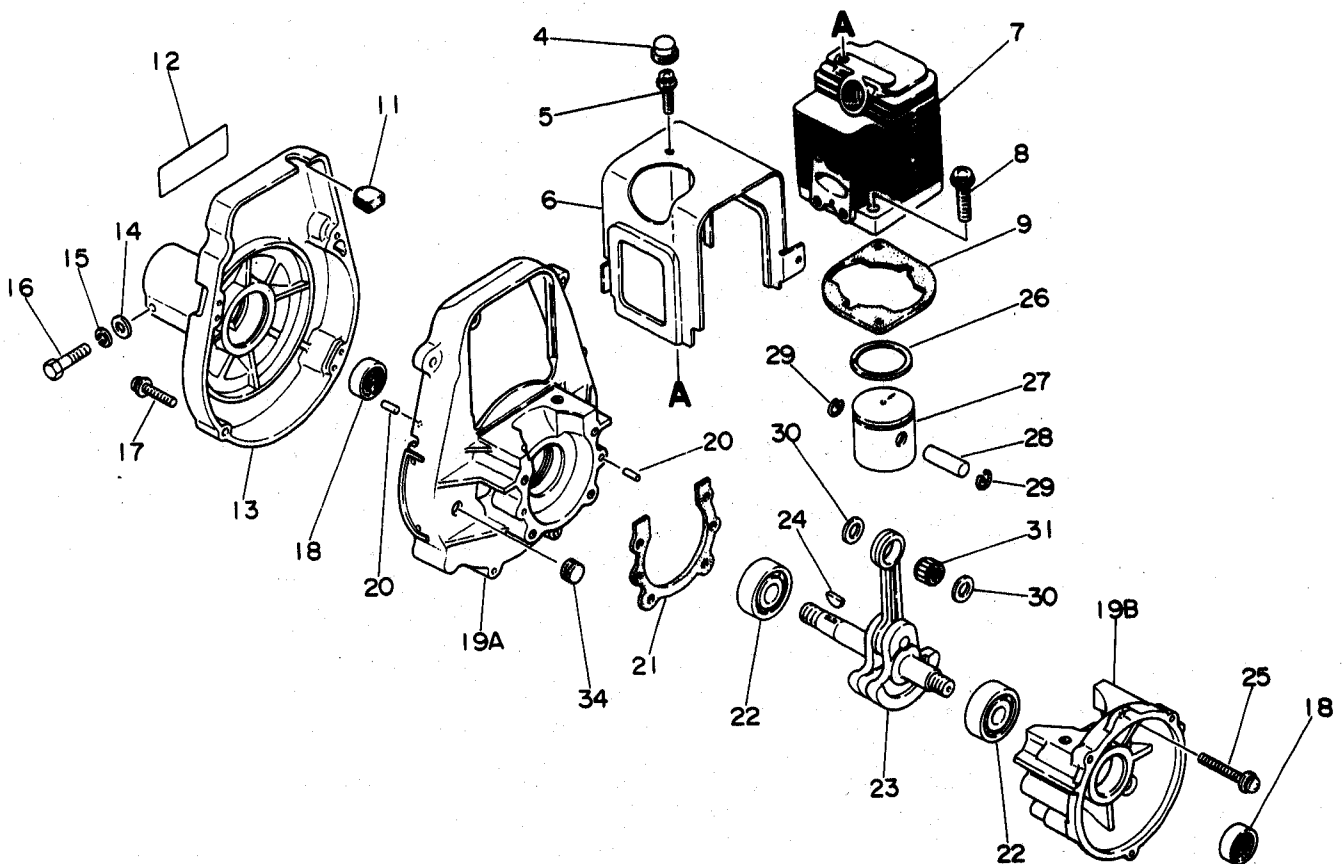


**PARTS CATALOG  
TRIMMER/  
BRUSHCUTTER  
SRM-210AE**



**898 56124233  
01/85**

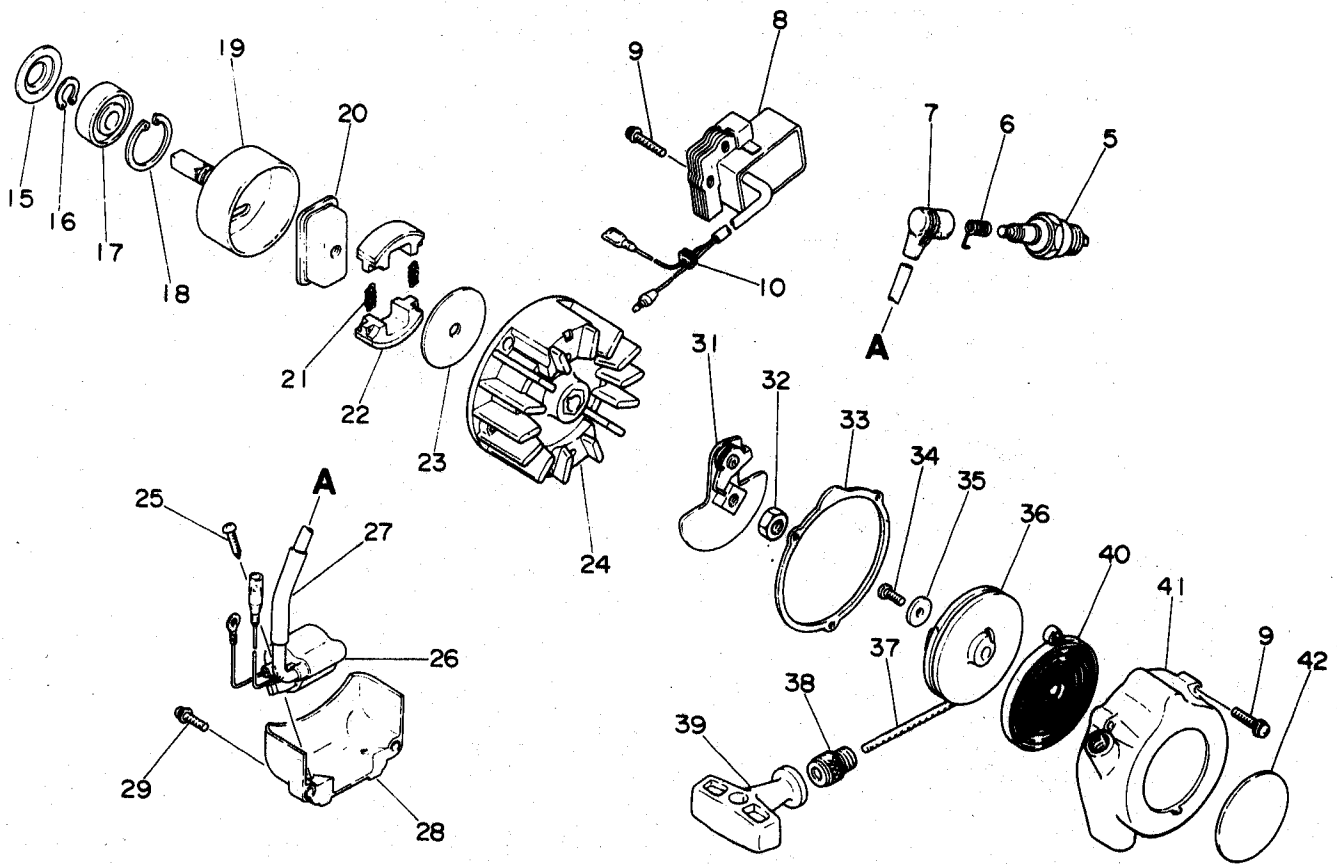
# SRM-210AE 1



Key No.	Part No.	Q'ty	Description	Key No.	Part No.	Q'ty	Description
1- 4	880 518-0922 0	1	Cap, screw	1-20	-100 215-0393 0	4	Knock pin
5	900 242-0501 0	1	Screw 5 x 10	21	100 242-0492 0	1	Gasket, case
6	101 514-0932 0	1	Cover, cylinder	22	900 810-3620 1	2	Bearing, ball
7	101 011-0932 0	1	Cylinder	23	100 100-0742 0	1	Shaft, ball
8	900 242-0602 0	2	Screw 6 x 20	24	100 142-0031 0	1	Key, woodruff
9	101 010-0492 0	1	Gasket, cylinder	25	900 242-0503 0	4	Screw 5 x 30
11	101 538-0742 0	1	Plug	26	100 011-0533 0	1	Ring, piston
12	890 115-2423 0	1	Decal 210AE	27	100 010-0652 0	1	Piston
13	101 511-0973 0	1	Cover, fan	28	100 013-1021 0	1	Pin, piston
14	900 600-0000 5	1	Washer 5	29	100 015-0463 0	2	Circlip
15	900 605-0000 5	1	Spring washer 5	30	100 014-0652 0	2	Spacer
16	900 151-0502 5	1	Bolt	31	100 113-0593 0	1	Bearing, needle
17	900 242-0402 0	4	Screw 4 x 20	34	100 223-0732 0	1	Plug
18	100 213-0553 0	2	Seal, oil				
19	100- 200-0742 0	1	Case, crank				

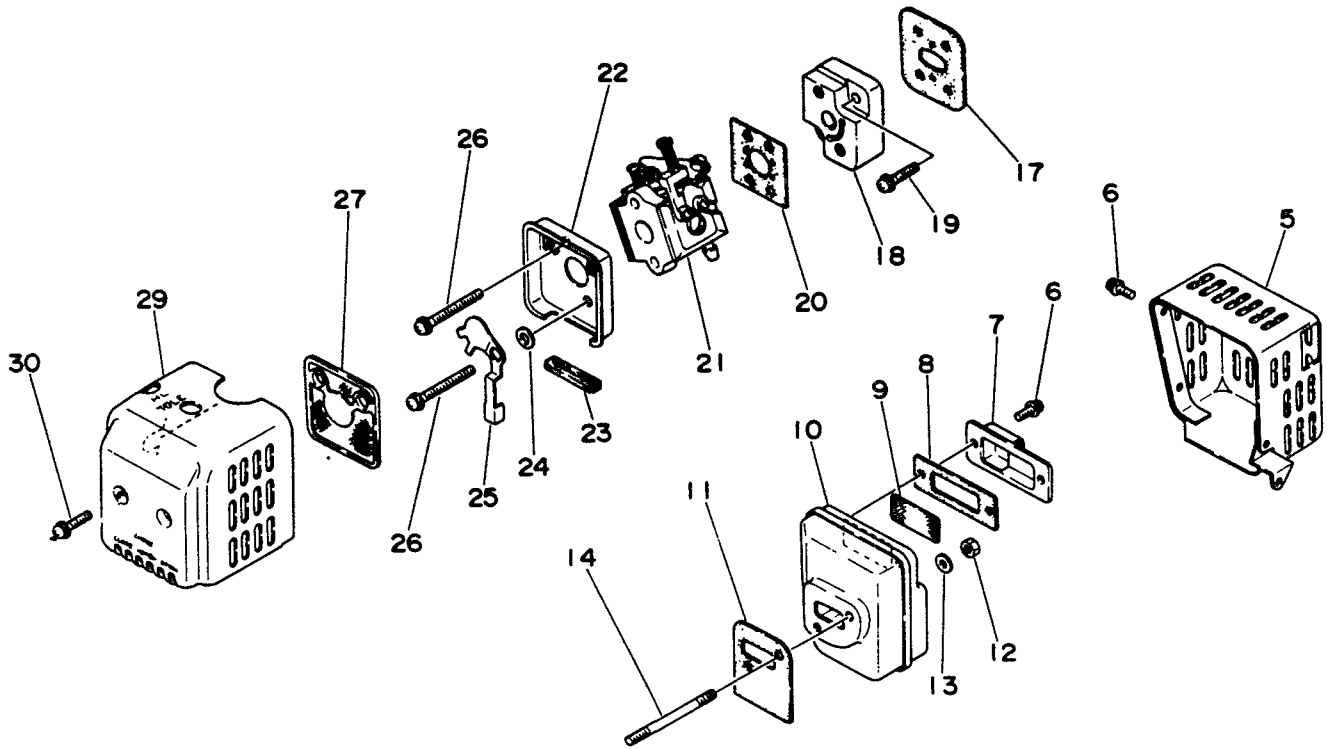
Remarks  
19 Includes 20

# SRM-210AE 2



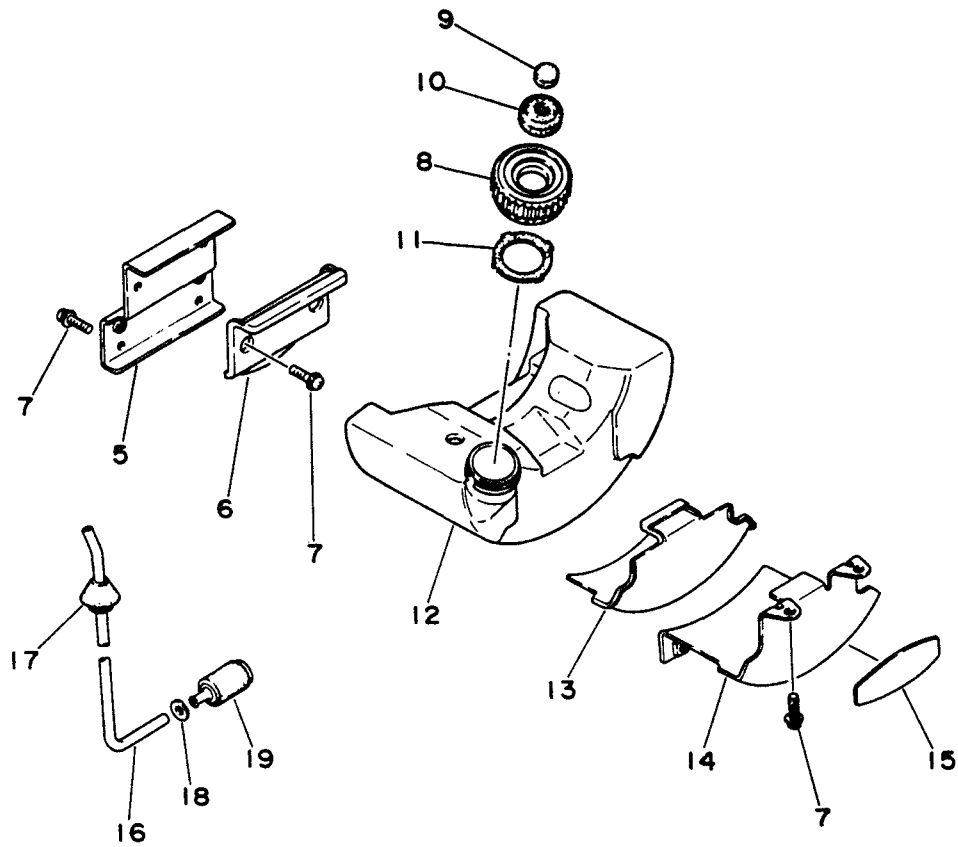
Key No.	Part No.	Q'ty	Description	Key No.	Part No.	Q'ty	Description
2- 5	159 026-0393 0	1	Plug, spark CJ-8	2-29	900 242-0401 4	2	Screw 4 x 14
6	159 011-0343 2	1	Spring,	31	177 305-0492 0	1	Ratchet ass'y
7	159 012-0343 3	1	Cap, spark plug	32	900 502-0000 8	1	Nut 8
8	156 601-0742 1	1	Module CDI	33	100 615-0492 0	1	Gasket
9	900 242-0402 0	4	Screw 4 x 20	*	177 200-0742 0	1	Starter ass'y
10	156 114-0231 0	1	Grommet	34	-900 241-0401 0	1	Screw 4 x 10
15	175 053-0492 0	1	Stopper	35	-177 214-2043 0	1	Washer
16	900 701-0001 2	1	Circlip 12	36	-177 215-0492 0	1	Drum, starter
17	900 819-3620 1	1	Bearing, ball	37	-177 226-0653 0	1	Rope, starter
18	900 702-0003 2	1	Circlip 32	38	-177 227-0533 0	1	Guide, rope
19	175 010-0492 0	1	Drum, clutch	39	-177 228-0653 0	1	Handle, starter
20	175 016-0492 0	1	Boss, clutch	40	-177 220-0653 0	1	Spring, rewind
21	175 018-0513 0	2	Spring, clutch	41	-177 209-0742 0	1	Case, starter
22	175 009-0513 0	2	Shoe, clutch	42	890 112-2673 0	1	Decal, ECHO
23	175 019-0492 0	1	Plate, side				
24	156 800-0742 0	1	Flywheel	<b>Remarks</b> * Consists of 34 thru 41			
25	900 249-0401 6	2	Screw, tapping				
26	156 626-0942 0	1	Coil, ignition				
27	156 611-0942 0	1	Tube				
28	159 315-0942 0	1	Cover, coil				

# SRM-210AE 3



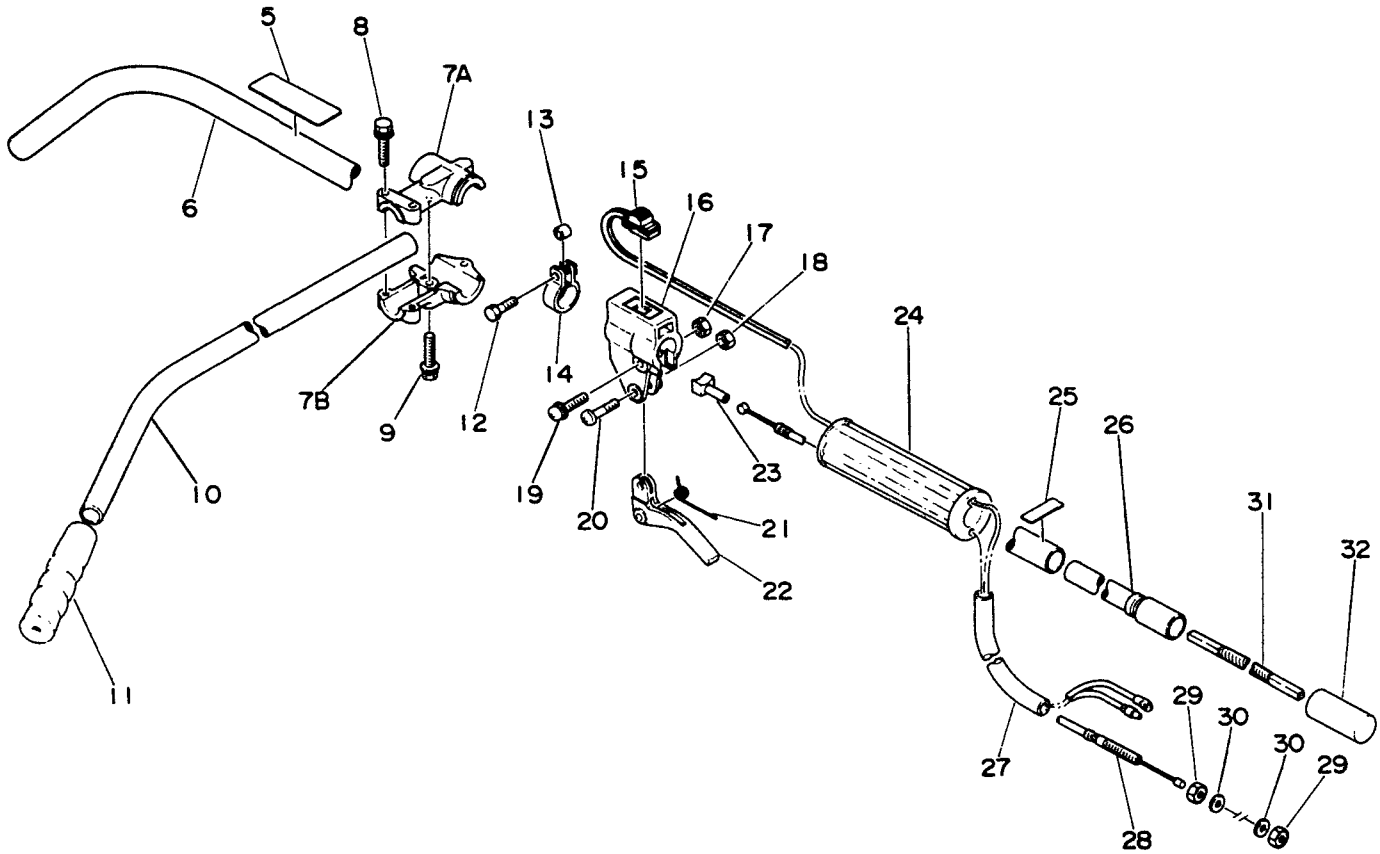
Key No.	Part No.	Q'ty	Description	Key No.	Part No.	Q'ty	Description
3- *	145 803-0922 0	1	Muffler ass'y	3-21	123 000-0932 0	1	Carburetor
5	-145 871-0922 0	1	Cover, muffler	22	130 301-0922 0	1	Case, air cleaner
6	-900 242-0401 0	4	Screw 4 x 10	23	-178 810-2163 0	1	Grommet
7	-145 809-0652 0	1	Screen holder	24	178 516-0083 0	1	Spacer
8	-145 866-0922 0	1	Gasket	25	178 515-0922 0	1	Choke shutter
9	-145 862-0922 0	1	Screen	26	900 242-0504 0	2	Screw 5 x 40
10	-145 806-0922 0	1	Muffler	27	130 310-0653 0	1	Air filter
11	-145 510-0922 0	1	Gasket, muffler	29	130 308-0922 0	1	Cover, air cleaner
12	433 020-0083 0	2	Lock nut 5	30	900 242-0401 8	2	Screw 4 x 18
13	900 603-0000 5	2	Washer 5				
14	101 014-0056 0	2	Stud, muffler	<b>Remarks.</b> * Consists of 5 thru 11 22 Includes 23			
17	130 010-0922 0	1	Gasket				
18	130 007-0932 0	1	Insulator				
19	900 243-0502 0	2	Screw 5 x 20				
20	130 016-0922 0	1	Gasket, carburetor				

**SRM-210AE 4**



Key No.	Part No.	Q'ty	Description	Key No.	Part No.	Q'ty	Description
4- 5	131 910-0922 0	1	Bracket, fuel tank	4-15	890 118-2403 0	1	Decal, ECHO
6	131 920-0922 0	1	Cushion, fuel tank	16	132 010-0922 0	1	Fuel pipe (3 x 6 x 135L)
7	900 242-0401 4	6	Screw 4 x 14	17	132 115-0492 0	1	Grommet
8	131 004-0632 0	1	Cap ass'y, f. tnk	18	900 603-0000 5	1	Washer 5
9	-131 315-0502 0	1	filter	19	131 200-2133 0	1	Strainer, fuel
10	-131 314-0632 0	1	Check valve	<b>Remarks</b> 8 includes 9 thru 11 16 includes 17			
11	-131 016-0492 0	1	Gasket, f. tank cap				
12	131 010-0922 0	1	Fuel tank				
13	131 924-0922 0	1	Cushion				
14	131 918-0922 0	1	Bracket, fuel tank				

# SRM-210AE 5

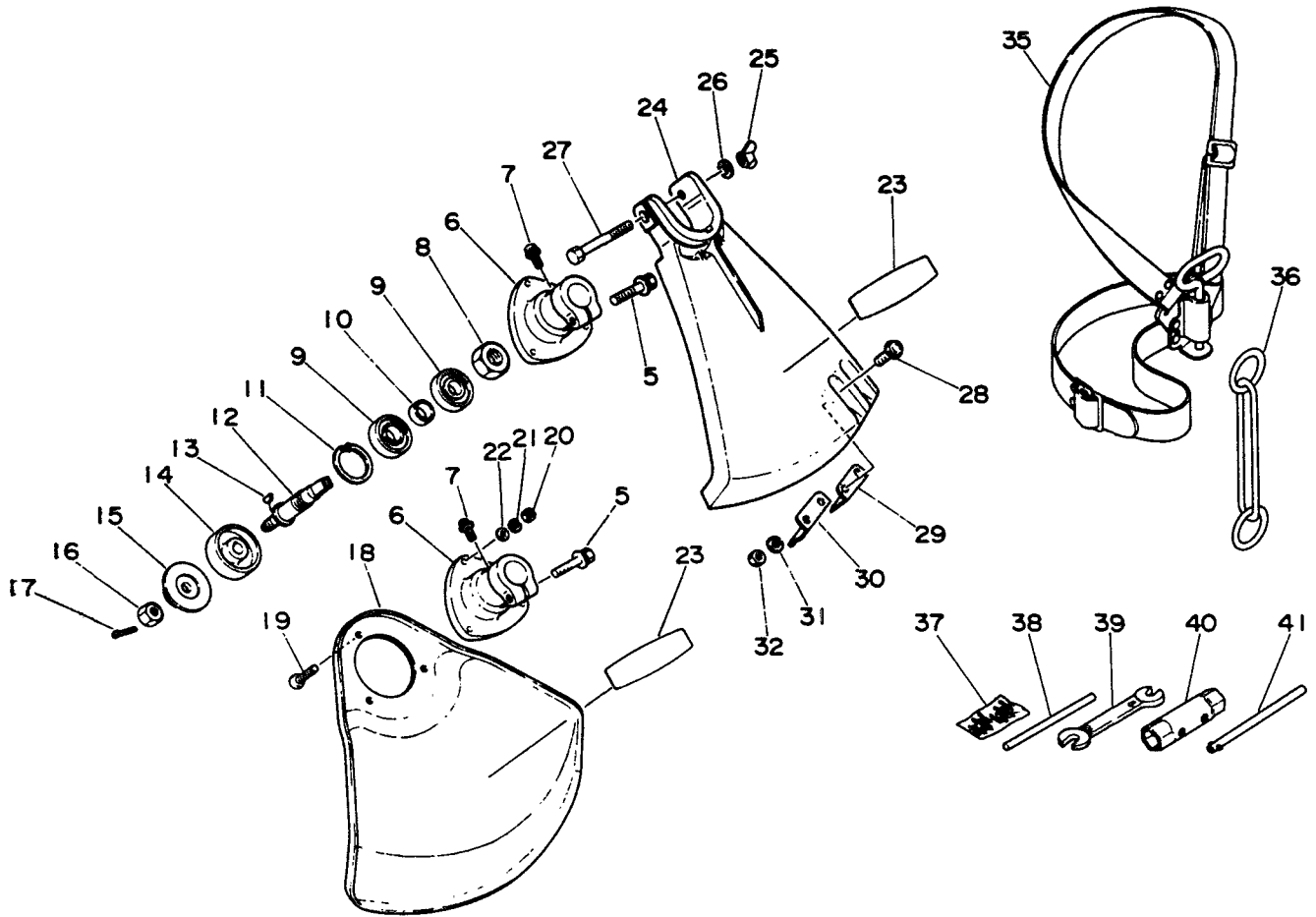


Key No.	Part No.	Q'ty	Description	Key No.	Part No.	Q'ty	Description
5- 5	890 160-2033 0	1	Decal, caution	2-20	178 110-0533 0	1	Screw
6	610 210-2333 0	1	Housing, drive	21	178 043-0693 0	1	Spring, lever
7	351 601-0993 0	1	Bracket ass'y	22	178 010-0563 0	1	Trigger, throttle
8	-900 142-0502 5	2	Bolt 5 x 25	23	178 048-0563 0	1	Spacer
9	-900 142-0502 8	2	Bolt 5 x 28	24	351 111-0963 0	1	Grip
10	351 610-0993 0	1	Handle	25	890 152-0493 0	1	Decal, guide
11	351 213-0593 0	1	Grip, handle	26	610 217-2333 0	1	Bush
12	900 100-0501 8	1	Bolt 5 x 18	27	178 127-0963 0	1	Tube
13	699 012-0333 0	1	Spacer	28	178 001-0963 0.	1	Cable, throttle
14	301 207-2333 0	1	Hock	29	900 502-0000 6	2	Nut 6
15	163 400-0963 0	1	Switch	30	900 600-0000 6	2	Washer 6
16	178 024-0963 0	1	Bracket, throttle	31	610 013-2333 0	1	Shaft, drive
17	900 500-0000 5	1	Nut 5	32	Unavailable	1	Cap, housing
18	433 020-0083 0	1	Nut, lock 5				
19	900 242-0502 8	1	Screw 5 x 28				

### Remarks

7 Includes 8 and 9

# SRM-210AE 6

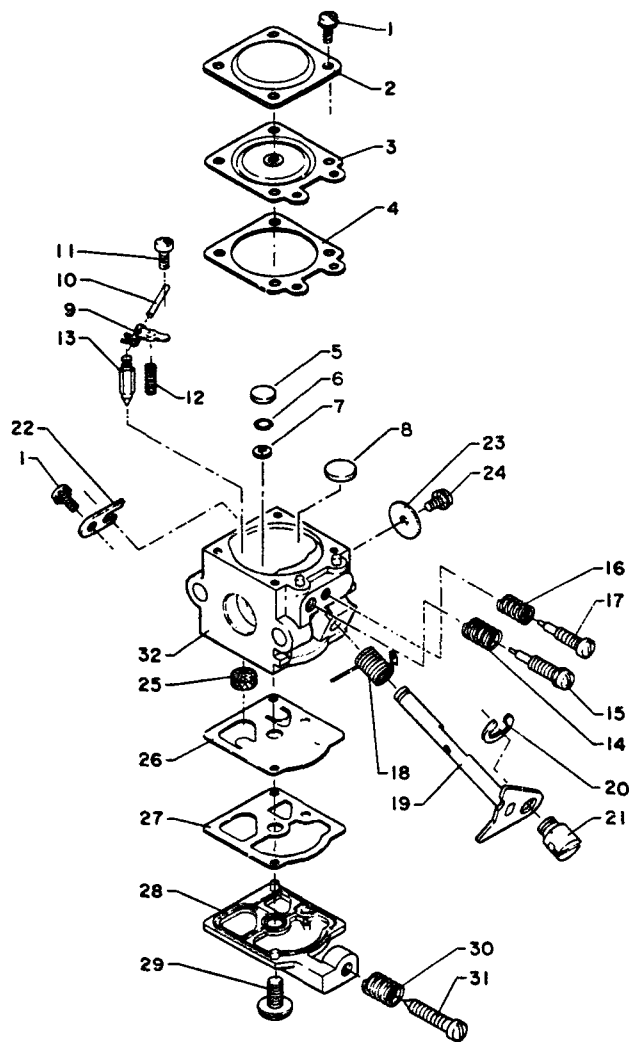


Key No.	Part No.	Q'ty	Description	Key No.	Part No.	Q'ty	Description
<b>6-*</b>	<b>610 400-2333 0</b>	<b>1</b>	<b>Housing ass'y</b>	<b>6-24</b>	<b>699 000-2333 0</b>	<b>1</b>	<b>Shield ass'y (Plastic)</b>
5	-900 152-0502 5	1	Bolt	25	-900 525-0000 6	1	Nut, wing 6
6	-610 410-2333 0	1	Housing	26	-900 600-0000 6	1	Washer 6
7	-900 242-0401 0	1	Screw 4 x 10	27	-900 100-0605 0	1	Bolt 6 x 50
8	-900 513-0001 2	1	Nut 12 L-h	28	-900 240-0501 4	2	Screw 5 x 14
9	-900 802-0600 1	2	Bearing, ball	29	-699 016-0632 0	1	Cutter
10	-610 315-0653 0	1	Spacer	30	-699 212-0963 0	1	Guard
11	-900 702-0002 8	1	Circlip 28	31	-900 605-0000 5	2	Washer, spring 5
12	-610 310-2333 0	1	Shaft, P.T.O.	32	-900 500-0000 5	2	Nut 5
13	-610 325-0273 0	1	Key, woodruff	35	301 000-2433 0	1	Strap ass'y
14	-610 313-0653 0	1	Plate, fixing	36	-301 305-2433 0	1	Strap
15	-610 314-0603 0	1	Plate, fixing	37	898 502-0113 0	1	Pin, split (10 pcs.)
16	-610 320-2333 0	1	Nut 3/8-24 UNF	38	897 518-0113 1	1	Rod, locking
17	-900 300-2002 2	1	Pin, Split	39	895 112-0033 0	1	Spanner 8 x 10
<b>18</b>	<b>699 000-0733 0</b>	<b>1</b>	<b>Shield ass'y (Steel)</b>	40	895 419-0533 0	1	Wrech, box 17 x 19
19	-900 220-0401 8	3	Screw 4 x 18	41	895 412-0023 0	1	Rod, handle
20	-900 500-0000 4	3	Nut 4				
21	-900 605-0000 4	3	Washer, spring 4				
22	-900 600-0000 4	3	Washer 4				
23	890 138-2403 0	2	Decal, ECHO				

### Remarks

- \* Consists of 5 thru 17
- 18 Includes 19 thru 23
- 24 Includes 25 thru 32
- 35 Includes 36

# SRM-210AE 7



Key No.	Part No.	Q'ty	Description	Key No.	Part No.	Q'ty	Description
7-	123 000-0932 0	1	Carburetor WA 143	7-20	-123 127-1063 0	1	Retaining, spring
1	-123 144-0393 0	5	Screw	21	-123 172-0432 0	1	Swivel
2	-123 142-0393 0	1	Cover, m. diaphragm	22	-123 127-0393 0	1	Clip, throttle shaft
3	-123 141-0393 0	1	Diaphragm, metering	23	-123 116-0523 0	1	Valve, throttle
4	-123 140-0653 0	1	Gasket, m. diaphragm	24	-123 114-0393 0	1	Screw, thrt. valve
5	-123 145-1633 0	1	Plug, welch	25	-123 126-1063 1	1	Screen, inlet
6	-123 169-1063 0	1	Ring, retaining	26	-123 112-1503 0	1	Pump diaphragm
7	-123 168-1063 1	1	Screen	27	-123 125-1503 0	1	Gasket, pump
8	-123 146-1063 0	1	Plug, welch	28	-123 124-1653 0	1	Cover, fuel pump
9	-123 123-0393 0	1	Lever, metering	29	-123 110-0393 0	1	Screw, pump cover
10	-123 138-0393 0	1	Pin, metering lever	30	-123 133-1113 0	1	Spring, idle adjust
11	-123 139-0393 0	1	Screw, m. lever pin	31	-123 134-0653 0	1	Screw, idle adjst.
12	-123 122-0393 0	1	Spring, meter. lever	32	- Unavailable	1	Body ass'y
13	-123 137-0393 0	1	Valve, inlet needle				
14	-123 119-0393 0	1	Spring, h. s. needle				
15	-123 120-0076 0	1	Needle, high speed				
16	-123 121-0393 0	1	Spring, needle				
17	-123 118-2443 0	1	Needle, idle				
18	-123 113-0393 0	1	Spring, thrt. return				
19	-123 117-0932 0	1	Shaft, throttle				

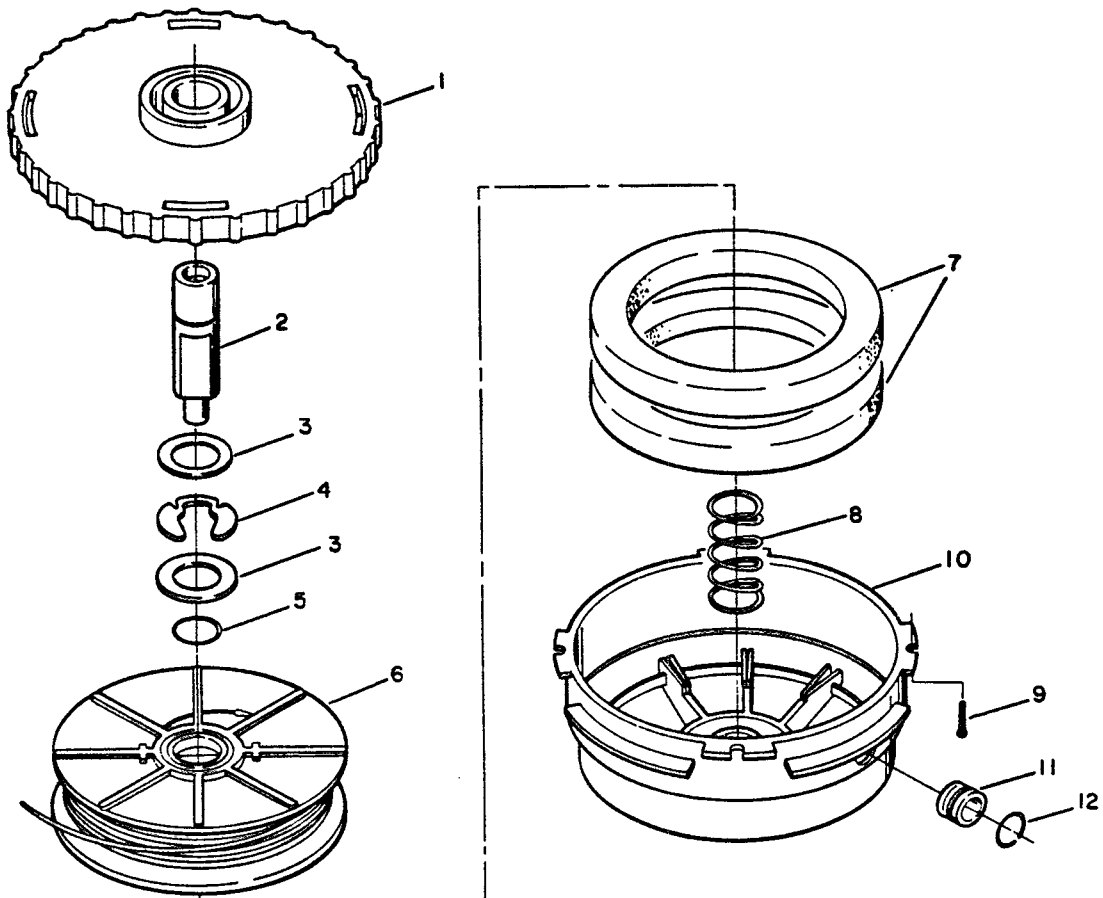


# TAP TO ADVANCE MONOFILAMENT HEAD ASSEMBLY

\*101092802 Packaged with .080 line (orange)

\*517181 Bulk with .080 line (clear)

\*517191 Bulk with .095 line (clear)



INDEX NO.	PART NO.	DESCRIPTION
1	362915	Plate, rear
2	529600	Adapter, drive
3	22014643	Washer (2)
4	487410	Ring, wire retaining
5	246730	Ring, thrust retaining
6	**	Spool Assembly
7	158620	- Pad, foam (2)
8	157410	Spring
9	270310	Pin, cotter
10	486425	Hub Assembly
11	157600	- Eyelet
12	487420	- Ring, eyelet

\*\*486845 Spool with .080 line (orange)

486855 Spool with .095 line (clear)

486865 Spool with .080 line (clear)

## STEEL BLADE (OPTION)

Key No.	Part No.	Q'ty	Description
	696 001-2033 0	1	Eight blade cutter
	695 001-0833 0	1	Cutter blade

## Free Manuals Download Website

<http://myh66.com>

<http://usermanuals.us>

<http://www.somanuals.com>

<http://www.4manuals.cc>

<http://www.manual-lib.com>

<http://www.404manual.com>

<http://www.luxmanual.com>

<http://aubethermostatmanual.com>

Golf course search by state

<http://golfingnear.com>

Email search by domain

<http://emailbydomain.com>

Auto manuals search

<http://auto.somanuals.com>

TV manuals search

<http://tv.somanuals.com>