



OPTIONAL ATTACHMENTS & ACCESSORIES

Accessories

99944200411	20mm Blade Conversion Kit
99944200415	Universal Blade Conversion Kit
99944200455	Barrier Bar
SRAC-200	Tiller/Cultivator Attachment

Cutting Blades

69500120331	8" 80 Tooth Brush Blade
69600120331	8", 8-Tooth Blade - 20mm Arbor
89850308031	8" Blade Protector
99944200035	Tri-Cut Blade with Glide Cup - 20mm Arbor
99944200047	3 Cutter Metal Blade - 20mm Arbor
99944200130	22 Tooth Clearing Saw Blade -- 20mm Arbor

Cutting Heads

21560031	SRM ECHOmatic Pro Head
21560050	Semi-Auto Head Assembly
21560056	2-Line Rapid Loader Head -- Echo
21560060	SRM Manual Dual Line Head
99944200220	Heavy Duty Fixed Line Head
99944200900	U-Turn Head

PARTS CATALOG

SRM-225U

Brushcutter

21.2cc

SERIAL NUMBERS

S/N: S79111001001 - S79111999999

ECHO, INCORPORATED

400 Oakwood Road Lake Zurich, Illinois 60047 USA

WWW.ECHO-USA.COM



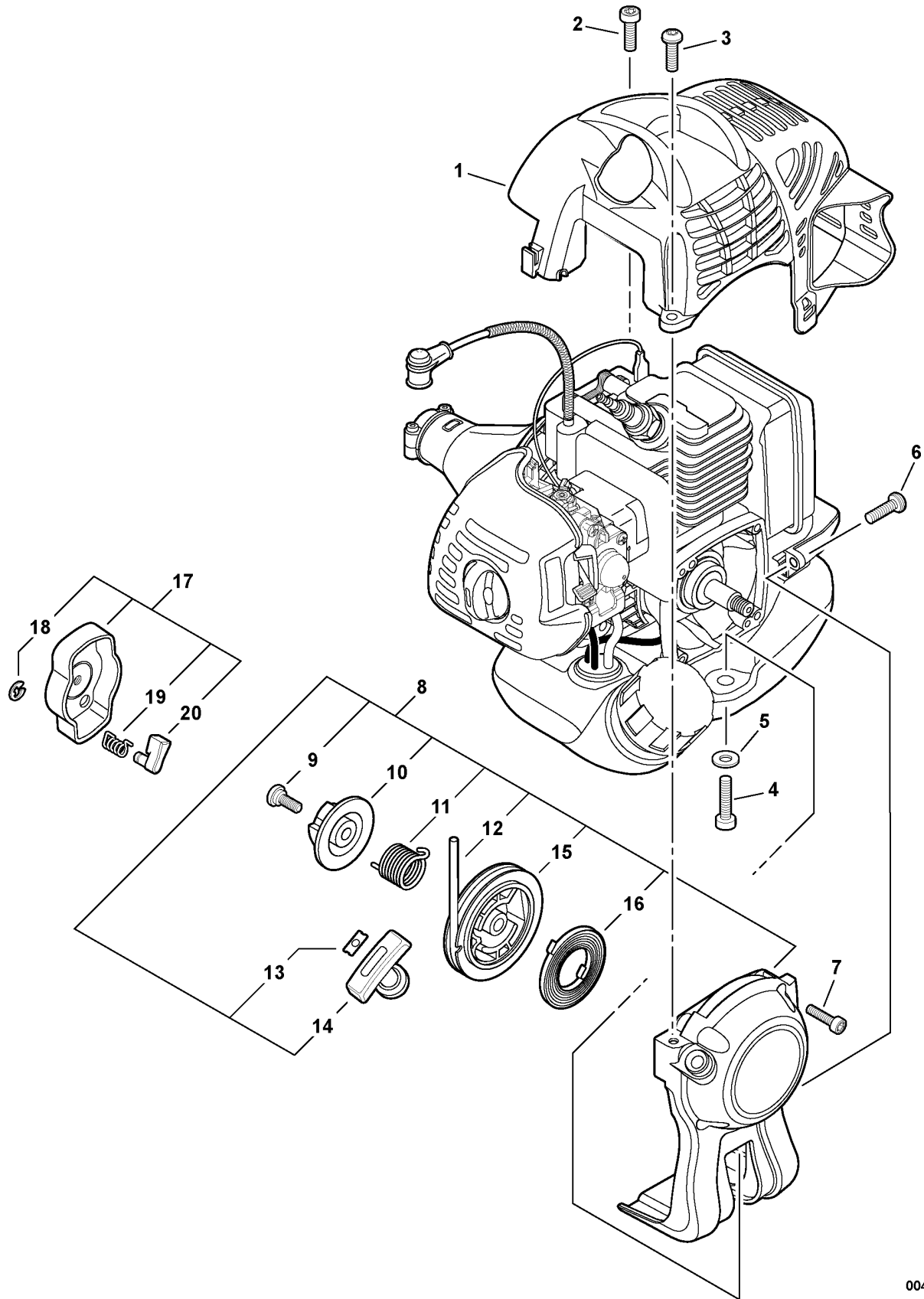
Table of Contents

Click Any Diagram Description Below To View That Diagram.

SRM-225U S/N: S79111001001 - S79111999999

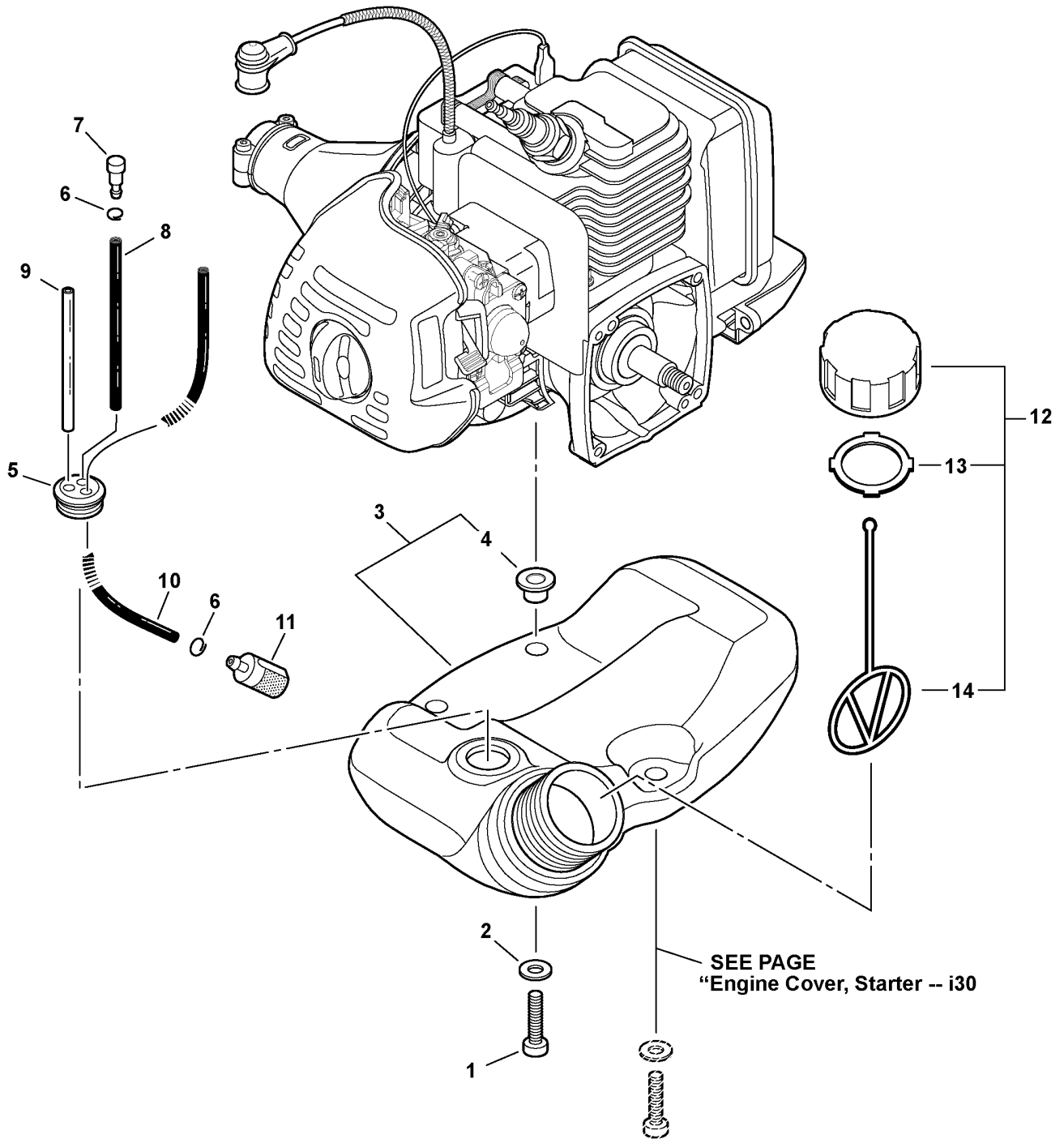
Engine Cover, Starter -- i-30.....	4
Fuel System.....	6
Intake.....	8
Carburetor -- RB-K93.....	10
Exhaust.....	12
Fan Case, Clutch.....	14
Ignition.....	16
Engine, Short Block -- SB1096.....	18
Plastic Shield.....	20
U-Turn Head.....	22
Metal Shield.....	24
8", 8-Tooth Blade - 20 mm Arbor.....	26
Gear Case.....	28
Main Pipe Assembly, Flexible Driveshaft.....	30
Shoulder Harness.....	32
Handles, Throttle Cable.....	34
Labels.....	36
Gasket Kit -- P021015980.....	38
RePower Tune-Up Kit.....	40
Tools.....	42
Part Number Index.....	44
Part Description Index.....	45

This Page Intentionally Left Blank



004 0039 000

ITEM	PART NUMBER	QTY	DESCRIPTION	REMARKS
1	A160001090	1	COVER, ENGINE	
2	V805000150	1	SCREW 5X16	
3	V805000000	1	TAPPING SCREW 5X16	
4	V805000160	1	SCREW 5X20	
5	90060300005	1	WASHER	
6	V805000000	1	TAPPING SCREW 5X16	
7	V804000060	4	SCREW 4X16	
8	A051001311	1	RECOIL STARTER ASY	INCLUDES ITEMS 9-16
9	17723661830	1	SCREW	
10	P022008280	1	PLATE, CAM	
11	P022008270	1	SPRING, DAMPER	
12	P022019990	1	ROPE, STARTER - 3X700mm	REPOWER BULK OPTION: 99944440000
13	17724611120	1	STOPPER, ROPE	
14	17722827030	1	GRIP, STARTER	
15	P022006830	1	DRUM	
16	P022019680	1	SPRING, REWIND	
17	A052000180	1	STARTER PAWL ASY	INCLUDES ITEMS 18-20
18	P022002100	2	E-RING	
19	17723412220	2	SPRING, RETURN	
20	P022006850	2	PAWL, STARTER	

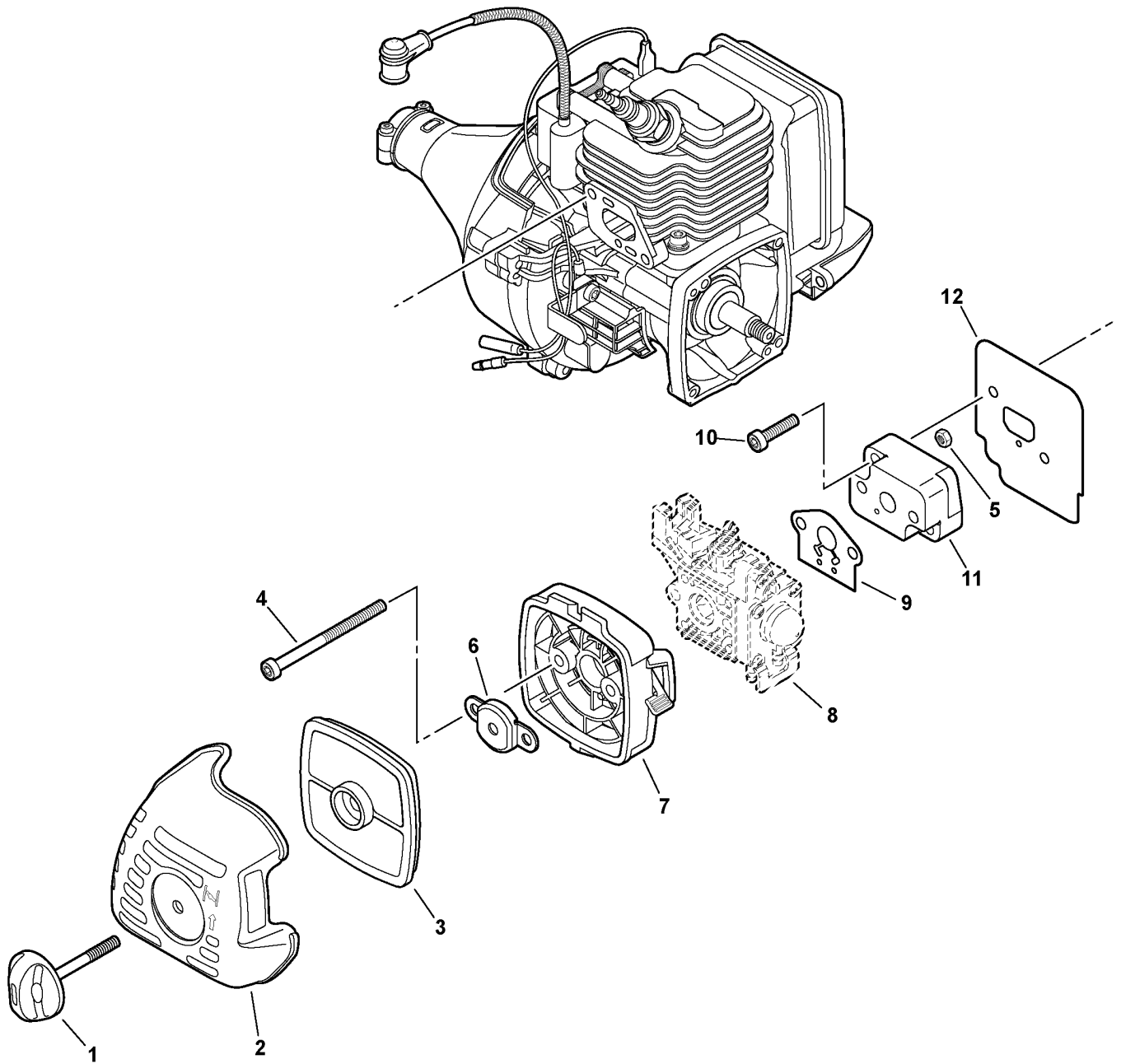


002 0042 000

ITEM	PART NUMBER	QTY	DESCRIPTION	REMARKS
1	V805000160	3	SCREW 5X20	
2	90060300005	3	WASHER 5	
3	A350000780	1	TANK, FUEL	INCLUDES ITEM 4
4	V353000231	3	COLLAR	
5	V137000030	1	GROMMET, FUEL	
6	13201309820	2	CLIP	
7	A356000030	1	VENT ASY	
8	V471001210	1	PIPE, VENT - 3X5X90mm	REPOWER BULK OPTION: 90015
9	13201256030	1	PIPE, RETURN - 3X6X80mm	REPOWER BULK OPTION: 90017
10	V471001230	1	PIPE, FUEL - 3X5X210mm	REPOWER BULK OPTION: 90015
11	13120507320	1	FILTER, FUEL ¹	
12	P021012210	1	CAP ASY	INCLUDES ITEMS 13-14
13	13101655830	1	GASKET, CAP	
14	A365000060	1	CONNECTOR, CAP	

Footnotes

1: Also Included In REPOWER TUNE-UP KIT



005 0041 000

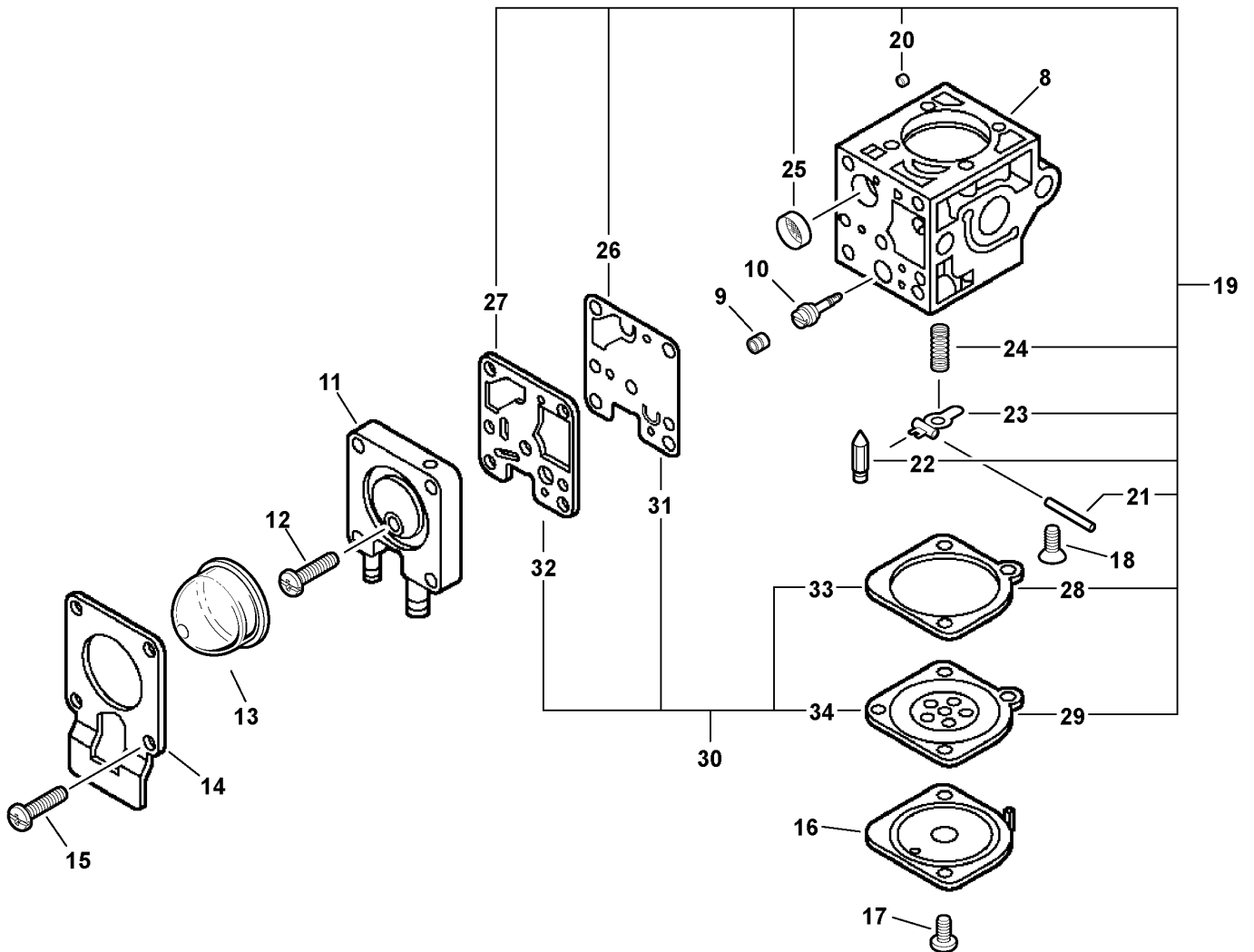
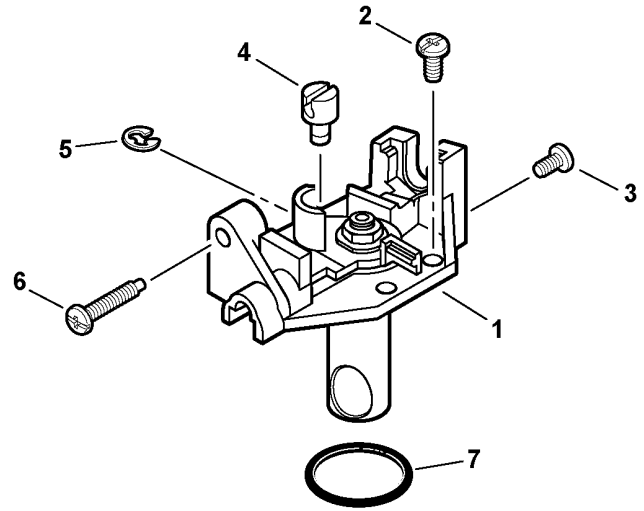
SRM-225U Brushcutter

Intake

ITEM	PART NUMBER	QTY	DESCRIPTION	REMARKS
1	V299000250	1	THUMB SCREW	
2	A232000480	1	LID, AIR CLEANER	
3	13031054130	1	FILTER, AIR ¹	
4	V805000100	2	SCREW 5X65	
5	90050000005	2	NUT	
6	12901152730	1	PLATE, PREVENT	
7	P021012870	1	CASE, AIR CLEANER	
8	-----	1	CARBURETOR	See Carburetor Diagram For Additional Information
9	V103000480	1	GASKET, INTAKE ²	
10	V805000160	2	SCREW 5X20	
11	13001744331	1	INSULATOR, INTAKE	
12	V103000490	1	SHIELD, INTAKE ²	

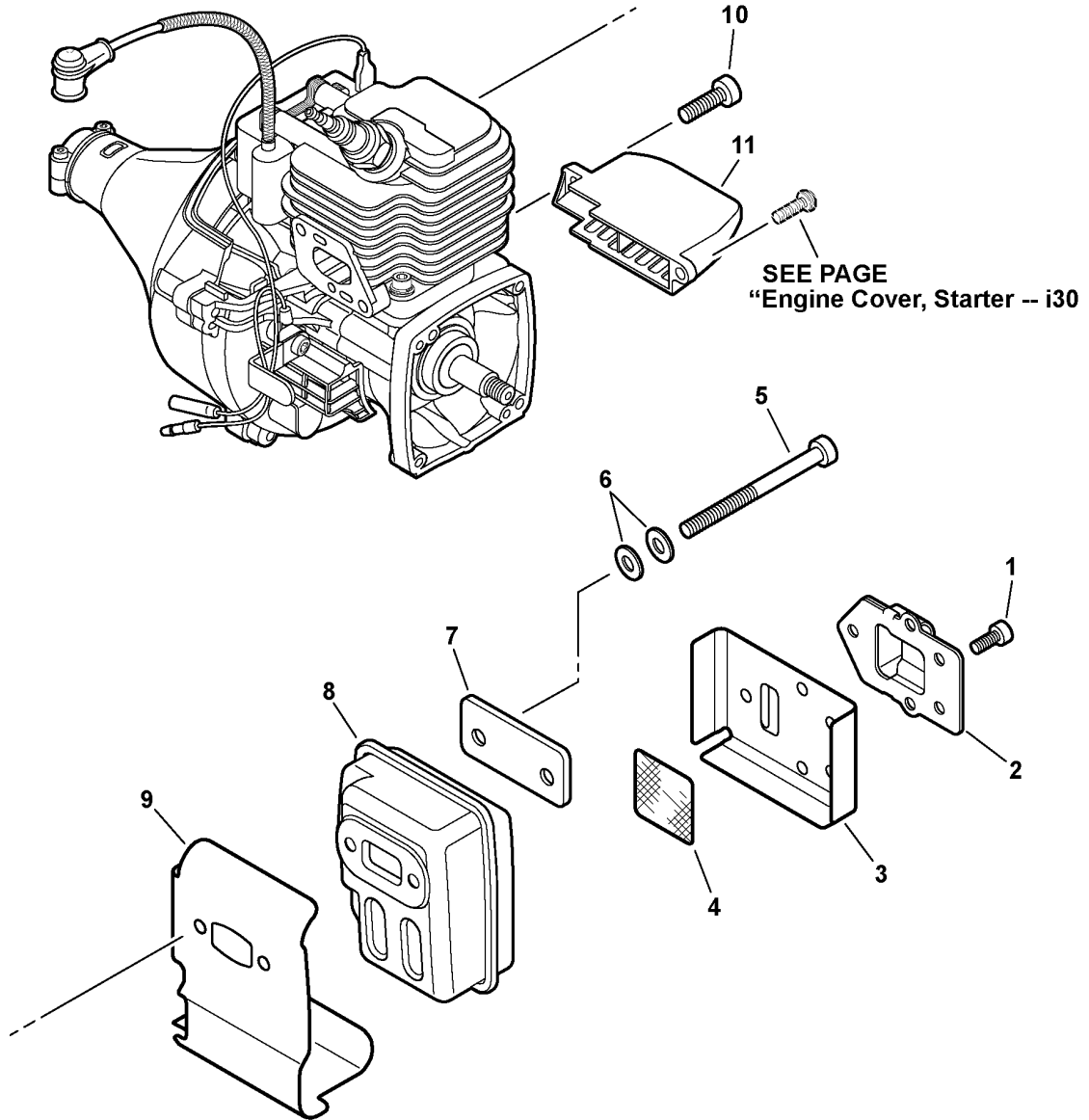
Footnotes

- 1: Also Included In REPOWER TUNE-UP KIT
 2: Also Included In GASKET KIT



RBK93 0000 000

ITEM	PART NUMBER	QTY	DESCRIPTION	REMARKS
	A021001690	1	CARBURETOR -- RB-K93	
1	P005002050	1	ROTOR COVER ASY	
2	12534413931	3	SCREW, ROTOR COVER ASY	
3	12534452130	1	SCREW, ROTOR COVER	
4	P005001240	1	SWIVEL	
5	P005000190	1	E-RING	
6	P005000100	1	SCREW, THROTTLE ADJUST	
7	P005000280	1	O-RING	
8	-----	1	BODY, CARBURETOR	NOT AVAILABLE SEPARATELY
9	P005001270	1	CAP, LIMITER	
10	P005001260	1	NEEDLE - HIGH SPEED	
11	P005001890	1	PURGE BASE ASY	
12	P005000270	1	SCREW, PURGE BASE ASY	
13	12538108660	1	BULB, PURGE	
14	P005000250	1	RETAINER, PURGE BULB	
15	P005001900	4	SCREW, PURGE BULB RETAINER	
16	12534252130	1	COVER, DIAPHRAGM	
17	12534452130	2	SCREW, DIAPHRAGM COVER	
18	12533942030	1	SCREW, METERING LEVER PIN	
19	P005001670	1	REPAIR KIT	INCLUDES ITEMS 20-29
20	P005001000	1	ROLLER, GUIDE	
21	-----	1	PIN, METERING LEVER	
22	-----	1	VALVE, INLET NEEDLE	
23	-----	1	LEVER, METERING	
24	-----	1	SPRING, METERING LEVER	
25	-----	1	STRAINER	
26	-----	1	DIAPHRAGM, PUMP	
27	-----	1	GASKET, PUMP	
28	-----	1	GASKET, METERING	
29	-----	1	DIAPHRAGM, METERING	
30	P005001660	1	DIAPHRAGM/GASKET KIT	INCLUDES ITEMS 31-34
31	-----	1	DIAPHRAGM, PUMP	
32	-----	1	GASKET, PUMP	
33	-----	1	GASKET, METERING	
34	-----	1	DIAPHRAGM, METERING	

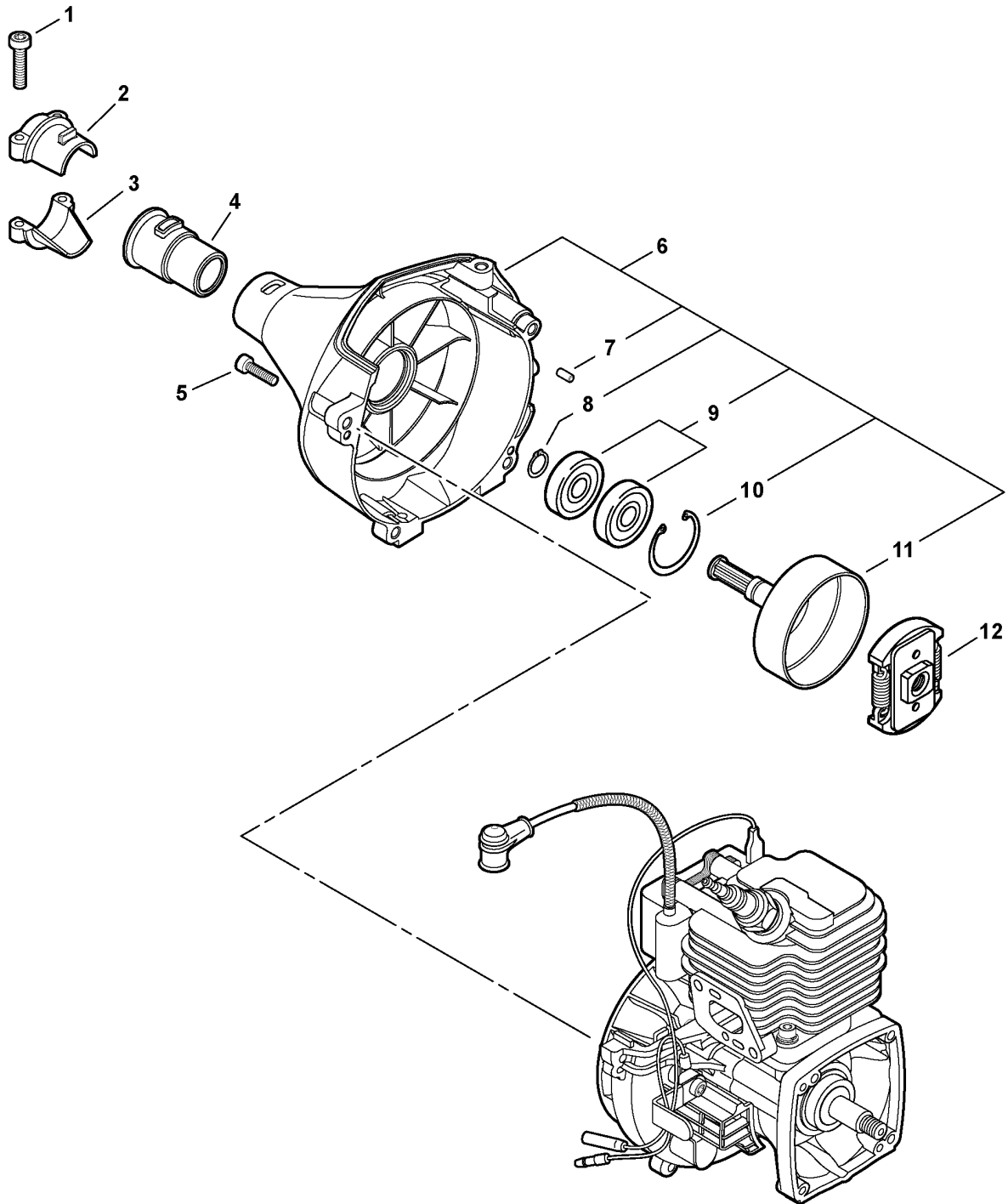


006 0048 00B

ITEM	PART NUMBER	QTY	DESCRIPTION	REMARKS
1	V804000080	5	SCREW 4X8	
2	A313000600	1	GUIDE, EXHAUST	
3	V104000360	1	GASKET, EXHAUST ¹	
4	14586240630	1	SCREEN, MUFFLER	
5	V805000190	2	SCREW 5X55	
6	V347000000	4	CONICAL WASHER	
7	V150000371	1	EYE PLATE	
8	A300000790	1	MUFFLER	
9	V104000850	1	SHIELD, EXHAUST ¹	
10	V805000150	1	SCREW 5X16	
11	A320000480	1	DUCT, AIR	

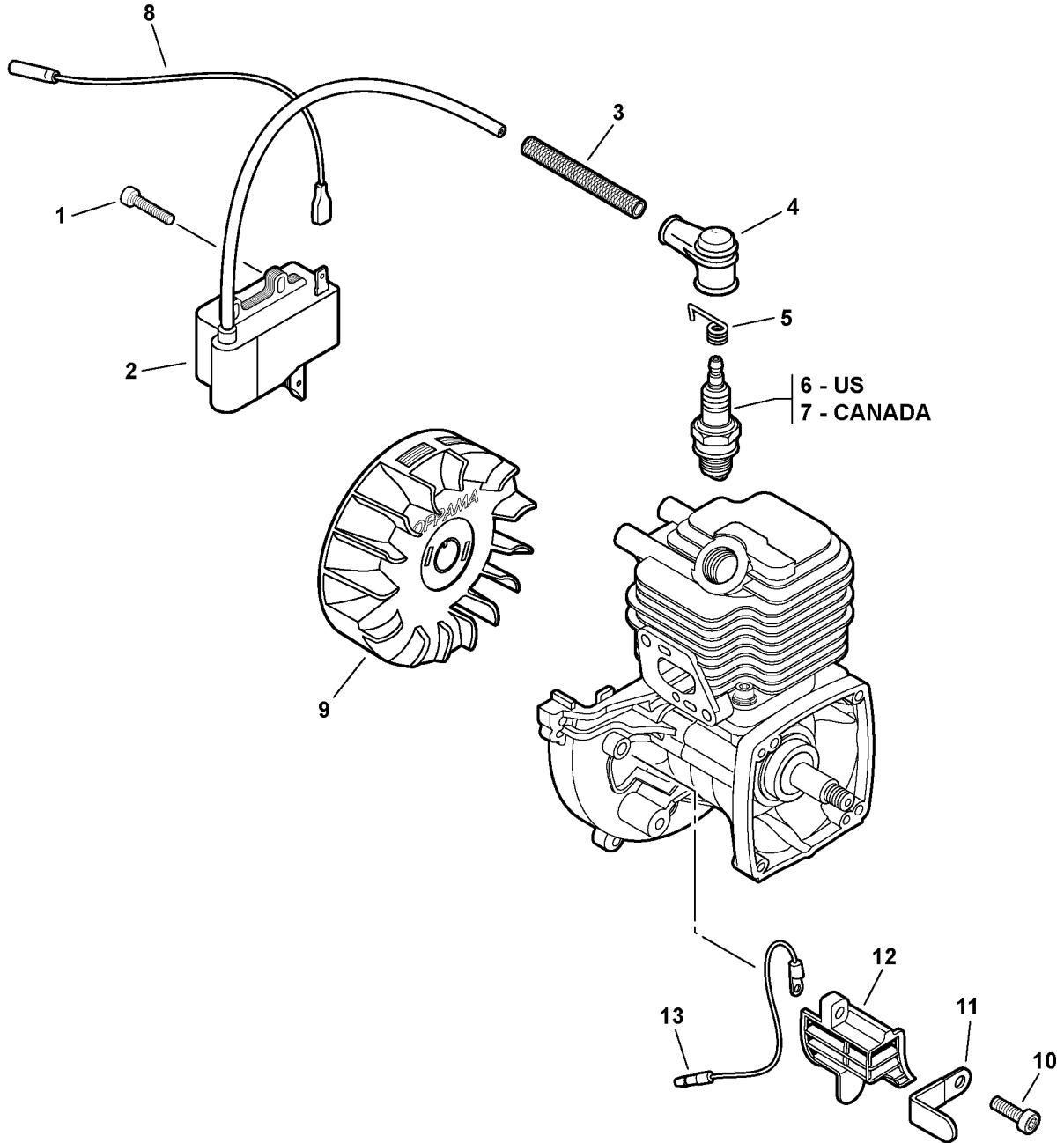
Footnotes

1: Also Included In GASKET KIT



003 0019 000

ITEM	PART NUMBER	QTY	DESCRIPTION	REMARKS
1	V805000160	2	SCREW 5X20	
2	61092227432	1	HOLDER -- UPPER	
3	A575000100	1	HOLDER - LOWER	
4	V420001081	1	CUSHION	
5	V804000060	4	SCREW 4X16	
6	P021015560	1	FAN COVER ASY	INCLUDES ITEMS 7-11
7	V622000020	2	DOWEL PIN - 4X7.8mm	
8	90070100012	1	CIRCLIP 12	
9	90080796001	2	BEARING, BALL - 6001	
10	90070200028	1	CIRCLIP 28	
11	17500548931	1	DRUM, CLUTCH	
12	A056000230	1	CLUTCH ASY	

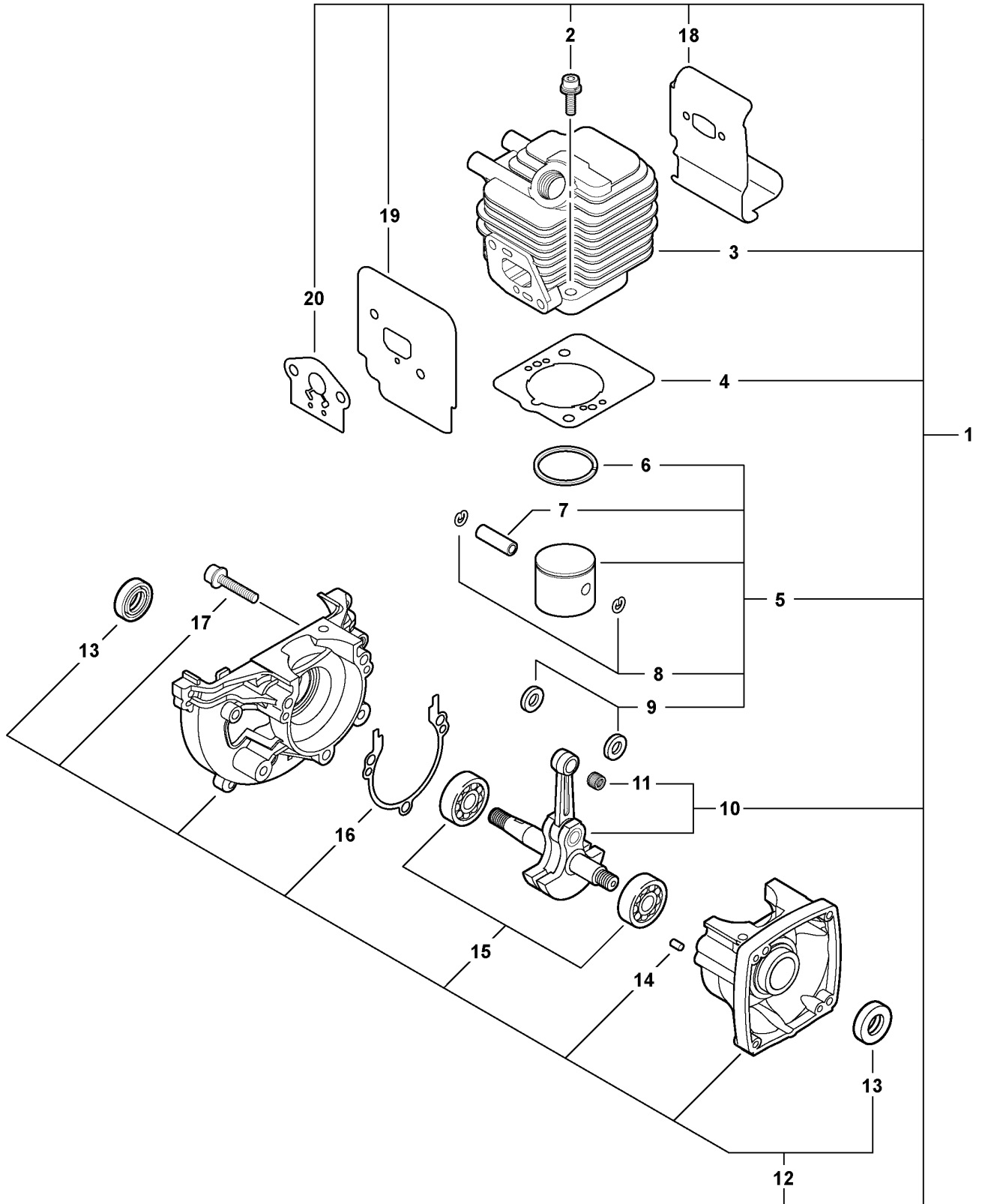


007 0015 000

ITEM	PART NUMBER	QTY	DESCRIPTION	REMARKS
1	V804000070	2	SCREW 4X20	
2	A411000130	1	COIL, IGNITION	
3	V475004160	1	TUBE, INSULATOR	
4	A427000013	1	CAP, SPARK PLUG	
5	A426000010	1	TERMINAL, SPARK PLUG CAP	
6	15901019830	1	SPARK PLUG -- BPM-8Y ¹	
7	A425000000	1	SPARK PLUG -- BPMR-8Y ¹	CANADA MODELS
8	V485001120	1	LEAD, IGNITION	
9	A409000210	1	FLYWHEEL	
10	V805000150	1	SCREW 5X16	
11	15911621231	1	CLAMP	
12	A127000160	1	COVER, DEBRIS	
13	16201427230	1	LEAD, GROUND	

Footnotes

1: Also Included In REPOWER TUNE-UP KIT

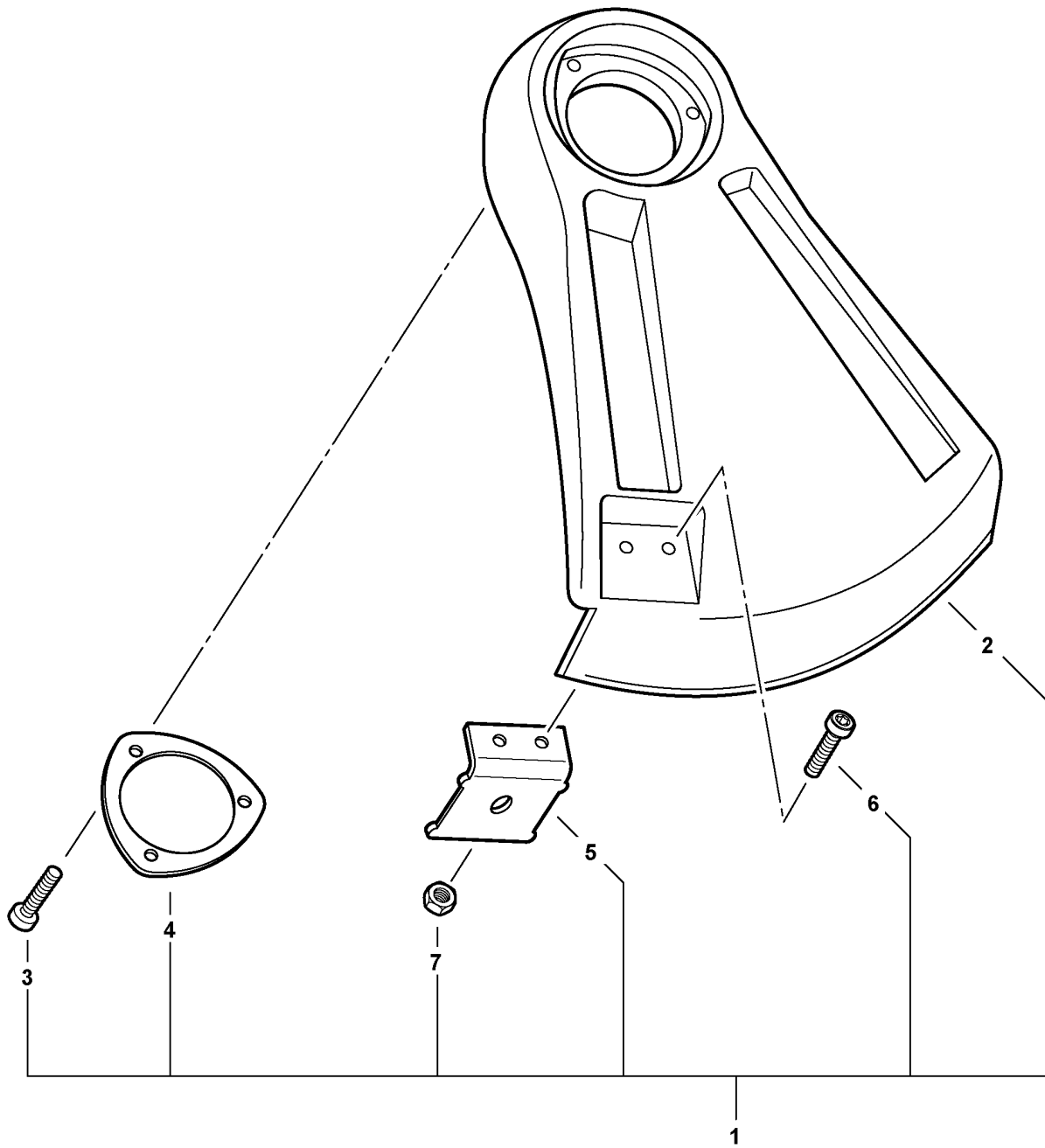


SB1096 0000 000

ITEM	PART NUMBER	QTY	DESCRIPTION	REMARKS
1	SB1096	1	SHORT BLOCK	INCLUDES ITEM 2-20
2	90016205022	2	SCREW 5X22	
3	A130000540	1	CYLINDER	
4	V100000160	1	GASKET, CYLINDER ¹	
5	P021007712	1	PISTON KIT	INCLUDES ITEMS 6-9
6	A101000090	1	RING, PISTON	
7	10001311520	1	PIN, PISTON	
8	10001504630	2	CIRCLIP, PISTON PIN	
9	10001411520	2	SPACER, PISTON PIN	
10	A011000101	1	CRANKSHAFT ASY	INCLUDES ITEM 11
11	V553000060	1	BEARING, NEEDLE	
12	10020452132	1	CRANKCASE KIT	INCLUDES ITEMS 13-17
13	10021242031	2	OIL SEAL	
14	V622000020	2	DOWEL PIN - 4X7.8mm	
15	9403536201	2	BEARING, BALL - 6201	
16	10024242030	1	GASKET, CRANKCASE ¹	
17	90016205028	3	SCREW 5X28	
18	V104000850	1	SHIELD, EXHAUST ¹	
19	V103000490	1	SHIELD, INTAKE ¹	
20	V103000480	1	GASKET, INTAKE ¹	

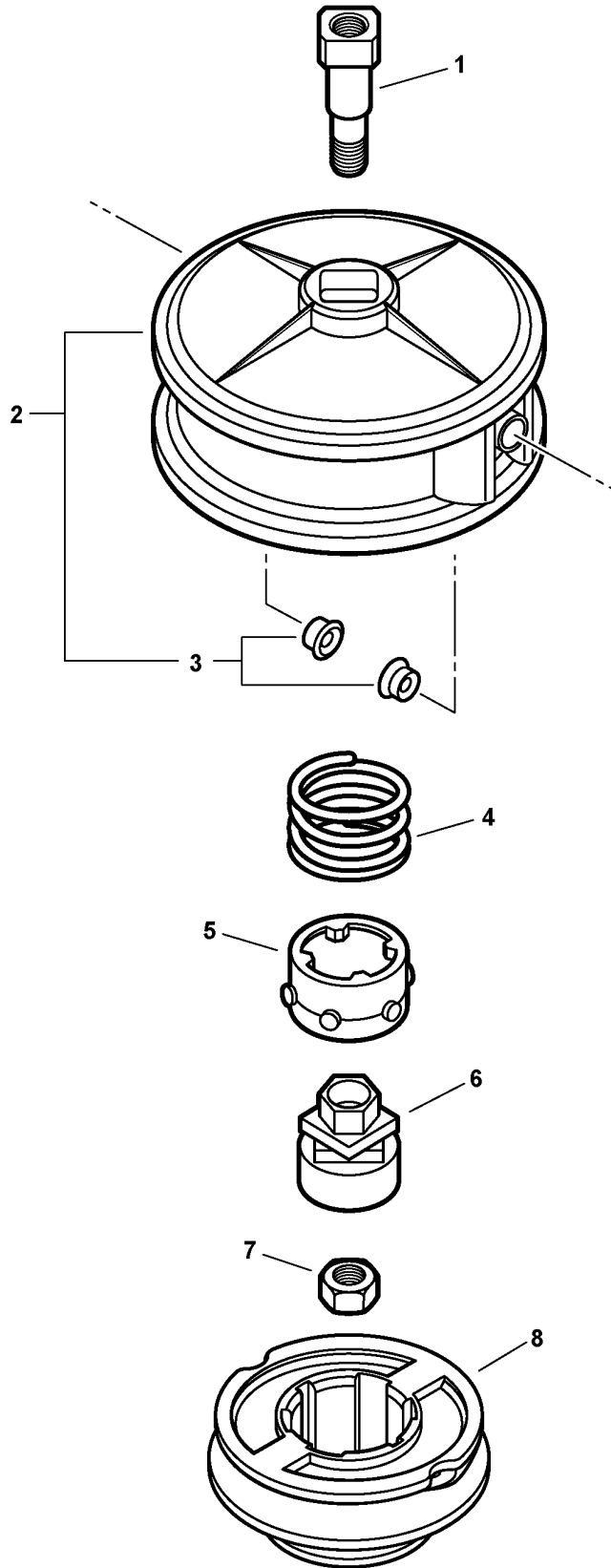
Footnotes

1: Also Included In GASKET KIT



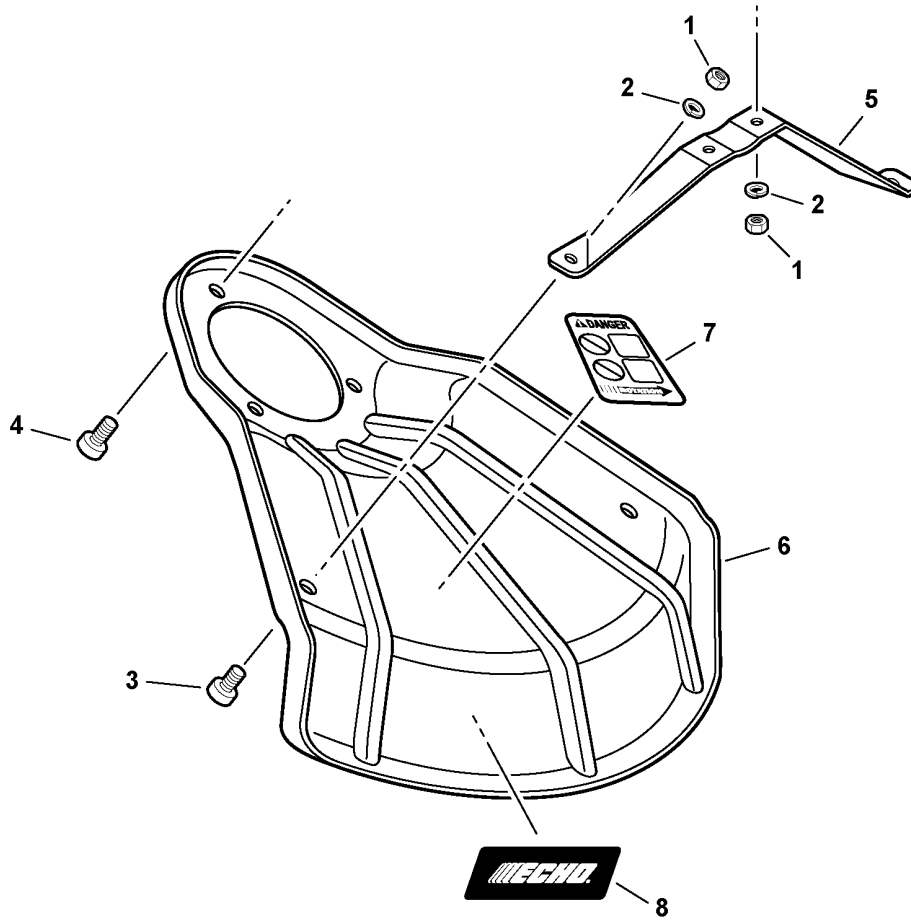
034 0004 000

ITEM	PART NUMBER	QTY	DESCRIPTION	REMARKS
1	P021015660	1	PLASTIC SHIELD KIT	INCLUDES ITEMS 2-7
2	C550000031	1	SHIELD - PLASTIC	
3	V805000150	3	SCREW 5X16	
4	C552000110	1	FLANGE, SHIELD	
5	69901644330	1	CUTTER, LINE	
6	V805000140	2	SCREW 5X12	
7	90050000005	2	NUT 5	



900 0003 00B

ITEM	PART NUMBER	QTY	DESCRIPTION	REMARKS
	X407000410		U-TURN HEAD	USE .095" DIAMETER TRIMMER LINE
1	215601	1	BOLT, SHAFT	
2	X470000160	1	HOUSING	INCLUDES ITEM 3
3	X475000040	2	EYELET	INCLUDES 2 PER PACKAGE
4	V450000660	1	SPRING	
5	X471000040	1	DRIVE, OUTER	
6	X471000050	1	CAM, INNER	
7	V265000100	1	NUT	
8	X473000000	1	SPOOL	



033 0001 00D

ITEM	PART NUMBER	QTY	DESCRIPTION	REMARKS
1	90050000005	4	NUT 5	
2	90060500005	4	LOCKWASHER	
3	V805000120	2	SCREW 5X8	
4	V805000130	3	SCREW 5X10	
5	69901523431	1	BRACKET, SHIELD	
6	C550000200	1	SHIELD	
7	89016841031	1	LABEL - CAUTION	
8	X502000320	1	LABEL - ECHO	

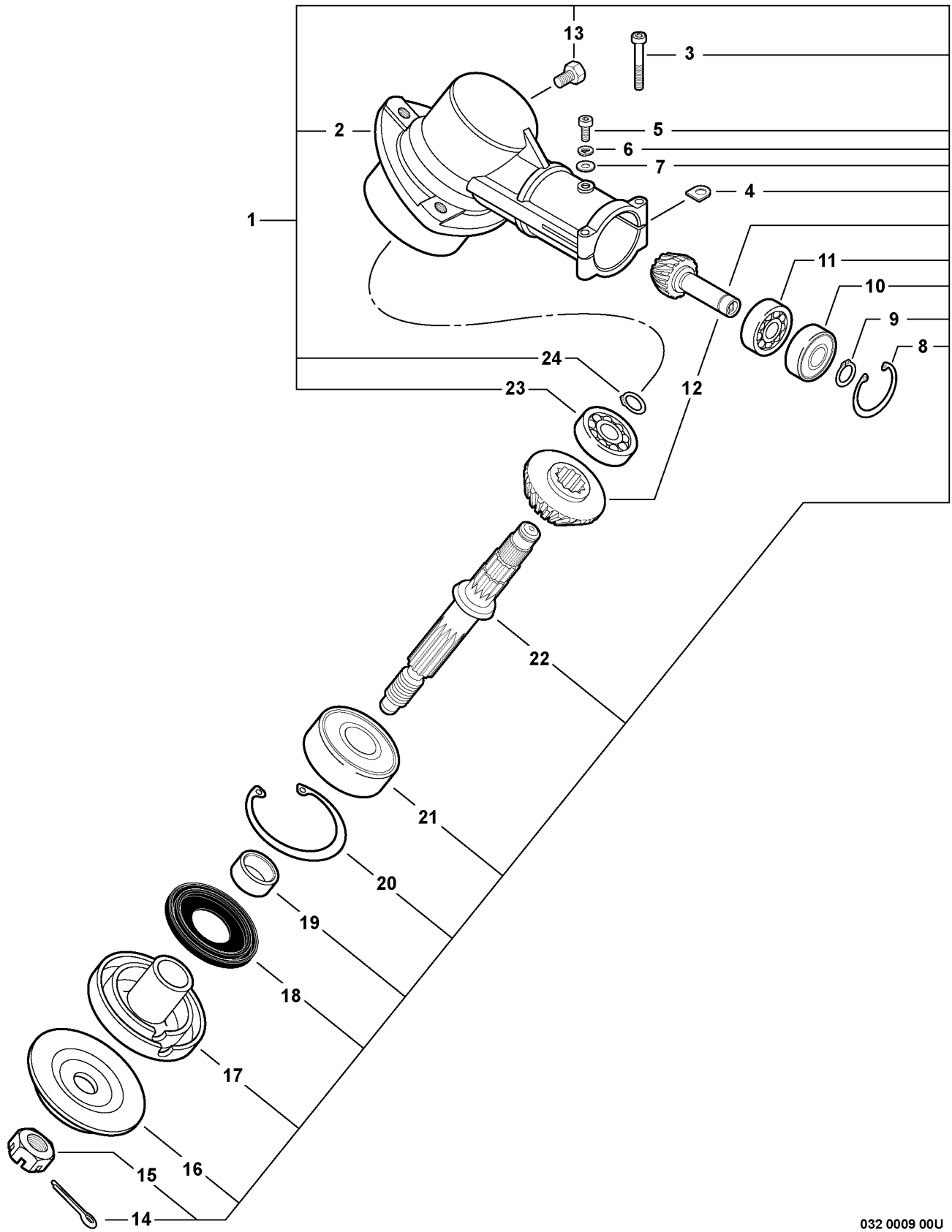


6960120331

8", 8-Tooth Blade - 20 mm Arbor**Hoja de 8 Dientes de 20 cm - Árbol de 20 mm****Lame à 8 Dents de 20 cm - Arbre de 20 mm**

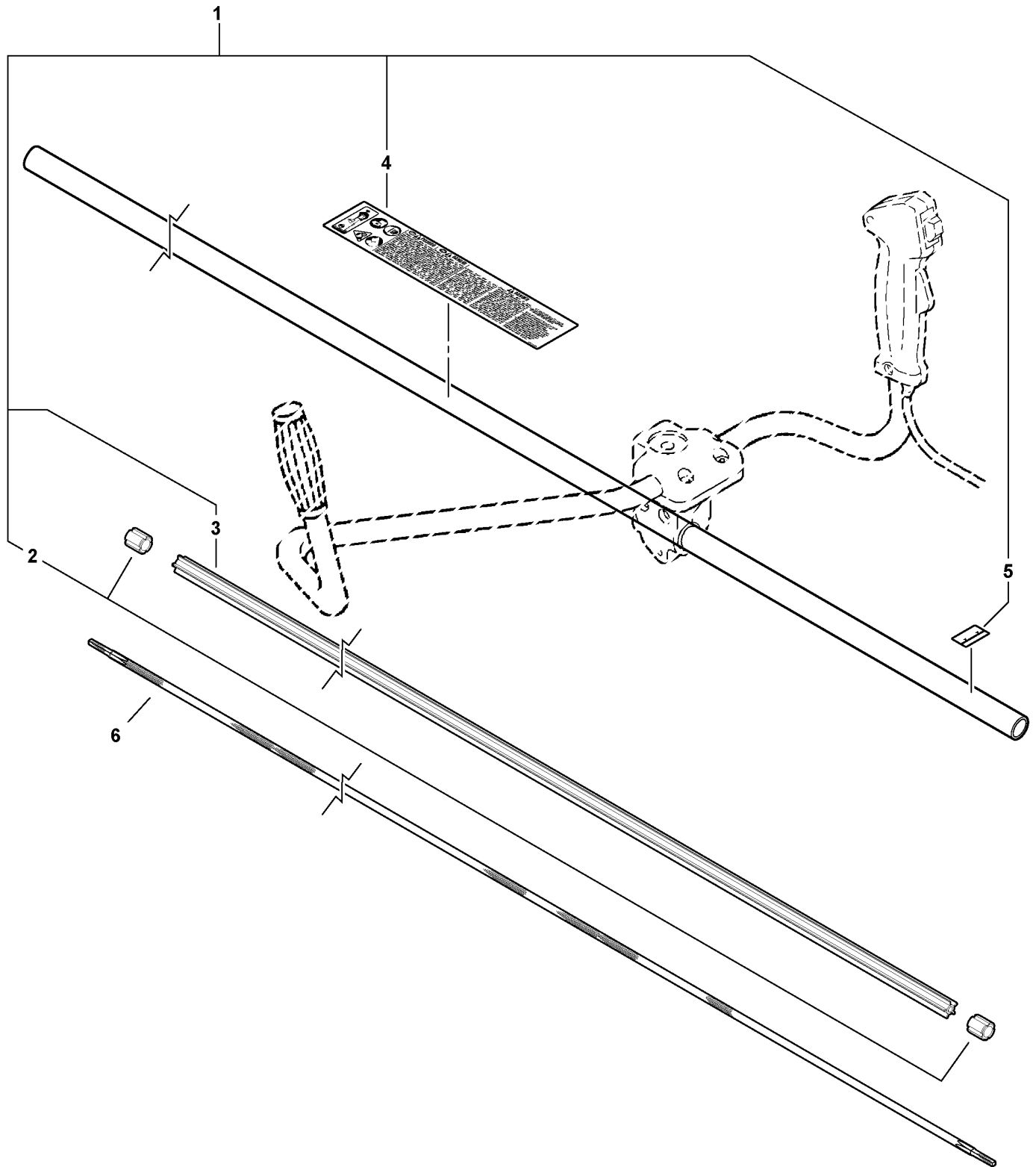
900 0008 000

<u>ITEM</u>	<u>PART NUMBER</u>	<u>QTY</u>	<u>DESCRIPTION</u>	<u>REMARKS</u>
	96900120331	1	8", 8-TOOTH BLADE - 20mm ARBOR	



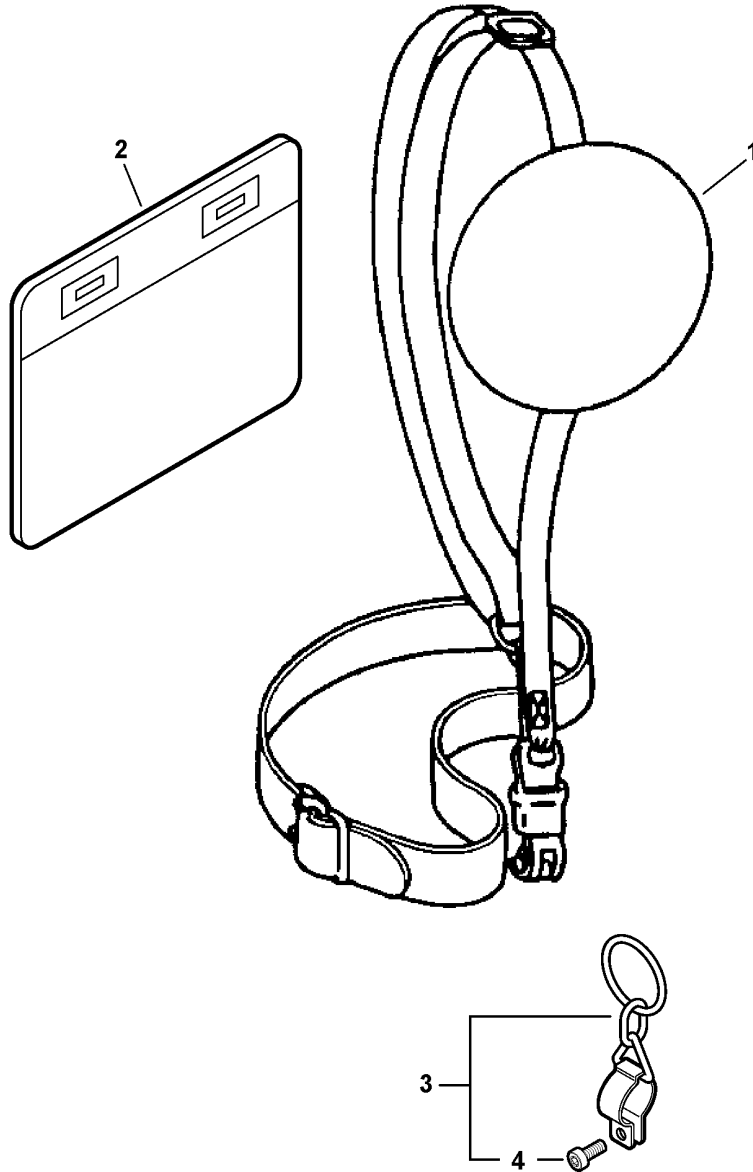
032 0009 00U

ITEM	PART NUMBER	QTY	DESCRIPTION	REMARKS
1	61040240932	1	GEAR HOUSING ASY	INCLUDES ITEMS 2-24
2	61046027431	1	CASE, GEAR	
3	V805000060	2	SCREW 5X35	
4	61023904130	2	WASHER, SHIM	
5	V805000130	1	SCREW 5X10	
6	90060500005	1	LOCKWASHER	
7	90060000005	1	WASHER	
8	90070200022	1	CIRCLIP 22	
9	90070600010	1	CIRCLIP 10	
10	90085806900	1	BEARING, BALL - 6900	
11	90085506900	1	BEARING, BALL - 6900	
12	61030044830	1	BEVEL GEAR SET	
13	61043450031	1	BOLT 8X8	
14	90030020022	1	SPLIT PIN 2X22	BULK OPTION: 89850201130 -10 PER PACKAGE
15	90051100010	1	NUT 10 - LEFT HANDED	
16	C535000150	1	PLATE, ADAPTER - LOWER	
17	C535000160	1	PLATE, ADAPTER - UPPER	
18	61041307130	1	OIL SEAL	
19	61031507130	1	SPACER	
20	90070200032	1	CIRCLIP 32	
21	9403536201	1	BEARING, BALL - 6201	
22	61036008931	1	SHAFT, GEAR	
23	90080000609	1	BEARING, BALL - 609	
24	90070600012	1	CIRCLIP 12	



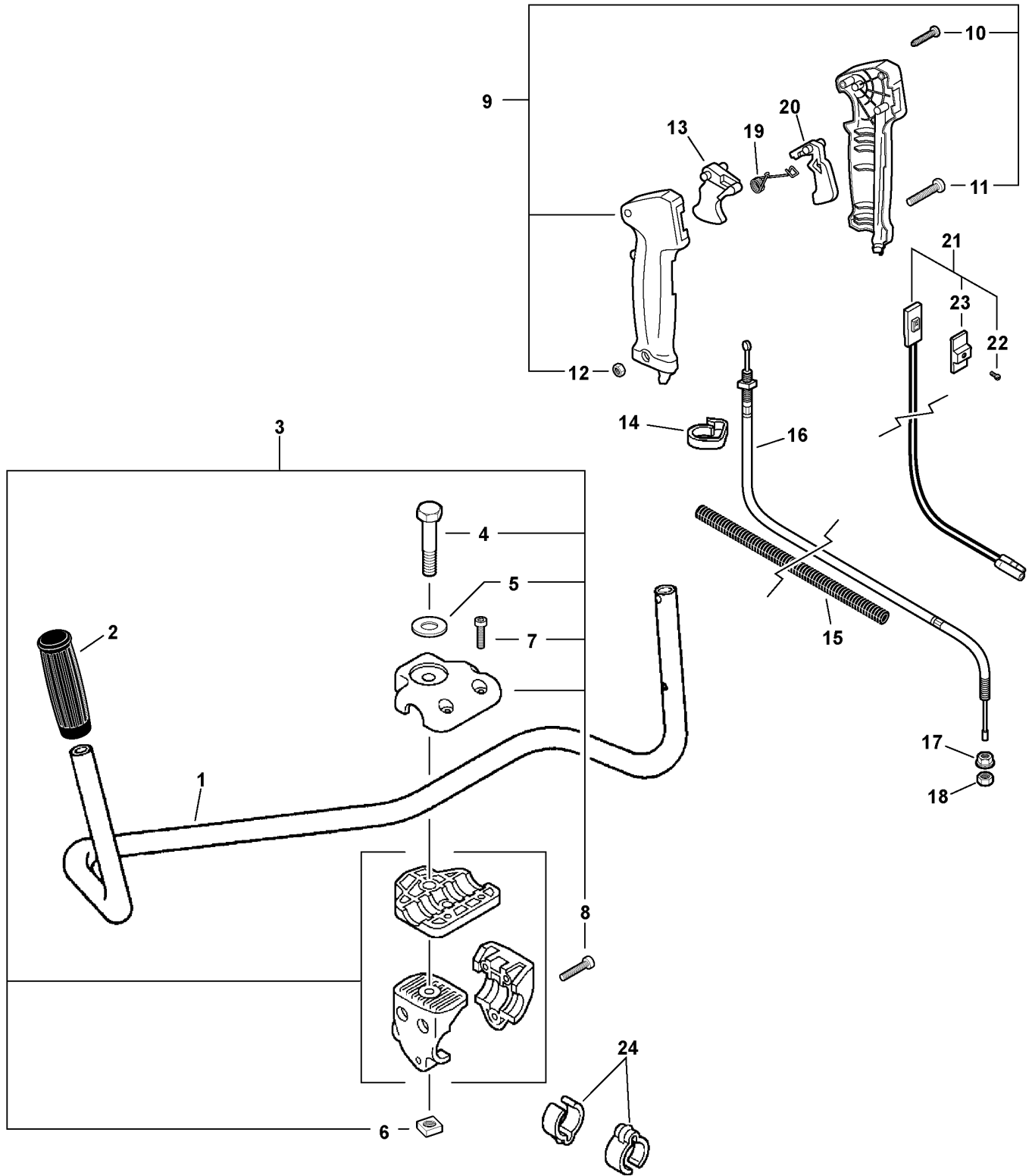
031 0006 0EU

ITEM	PART NUMBER	QTY	DESCRIPTION	REMARKS
1	C050001190	1	MAIN PIPE ASY	INCLUDES ITEMS 2-5
2	61024644730	2	STOPPER	
3	61021744730	1	LINER, FLEXIBLE	
4	X505002500	1	LABEL - CAUTION	
5	89015204930	1	LABEL - PIPE LOCATION	
6	61001344730	1	DRIVESHAFT - FLEXIBLE	



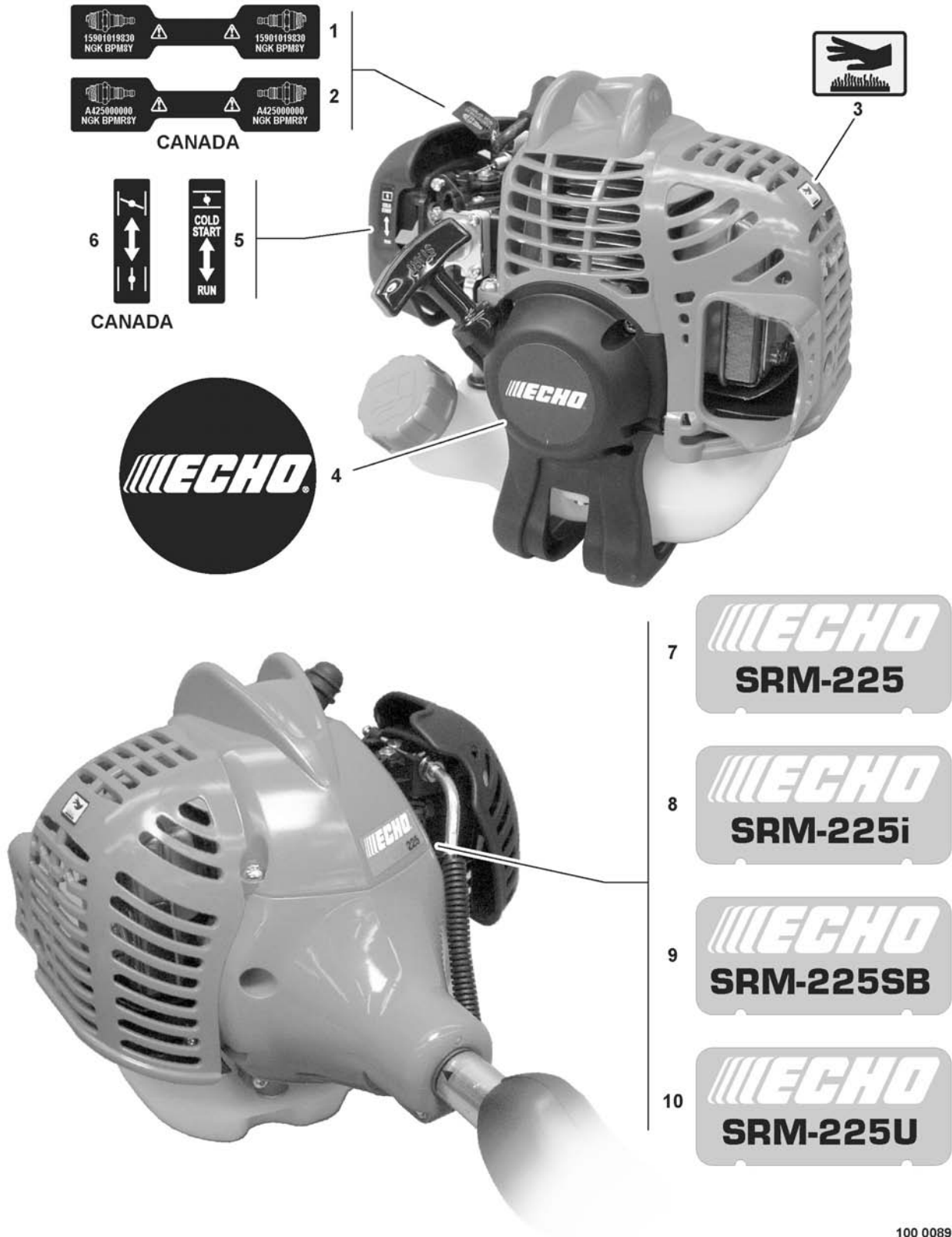
700 0006 000

ITEM	PART NUMBER	QTY	DESCRIPTION	REMARKS
1	C062000310	1	HARNESS, SHOULDER	
2	C652000000	1	CUSHION	
3	C646000060	1	HARNESS HANGER KIT	INCLUDES ITEM 4
4	V805000140	1	SCREW 5X12	



030 0038 00U

ITEM	PART NUMBER	QTY	DESCRIPTION	REMARKS
1	C400000000	1	HANDLE, FRONT	
2	35131102330	1	GRIP, HANDLE	
3	P021015820	1	HANDLE BRACKET ASY	INCLUDES ITEMS 4-8
4	35142152130	1	BOLT	
5	60501454230	1	WASHER	
6	90056550008	1	NUT	
7	V805000160	2	SCREW 5X20	
8	V805000170	3	SCREW 5X25	
9	35110247530	1	THROTTLE CONTROL ASY	INCLUDES ITEMS 10-12
10	90024603025	4	SCREW 3X25	
11	90022005030	1	SCREW 5X30	
12	90050000005	1	NUT 5	
13	17801005960	1	TRIGGER, THROTTLE	
14	15911209961	1	CLIP	
15	V475000000	1	COVER - CORRUGATED	
16	V430002280	1	CABLE, THROTTLE	
17	90051800006	1	FLANGE NUT 6	
18	90050200006	1	NUT	
19	17801335631	1	SPRING, THROTTLE LOCK	
20	17801205960	1	LOCKOUT, THROTTLE	
21	A440001250	1	SWITCH, IGNITION	
22	9154503010	1	SCREW 3X10	
23	A444000020	1	KNOB, SWITCH - ORANGE	
24	22492452130	2	CLIP	



100 0089 00A

SRM-225U Brushcutter

Labels

ITEM	PART NUMBER	QTY	DESCRIPTION	REMARKS
1	X532000671	1	LABEL - SPARK PLUG -- BPM-8Y	
2	X532000720	1	LABEL - SPARK PLUG -- BPMR-8Y ¹	
3	X505002310	1	LABEL - CAUTION -- HOT	
4	X502000330	1	LABEL - ECHO	
5	89012152730	1	LABEL - CHOKE	
6	89033252730	1	LABEL - CHOKE ¹	
7	X547001300	1	LABEL - MODEL -- SRM-225	
8	X547001530	1	LABEL - MODEL -- SRM-225i	
9	X547001360	1	LABEL - MODEL -- SRM-225SB	
10	X547001330	1	LABEL - MODEL -- SRM-225U	

Footnotes

1: CANADA MODELS

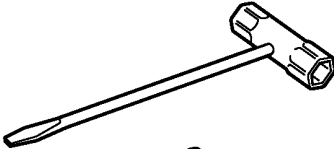
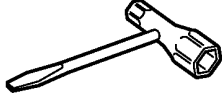
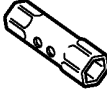








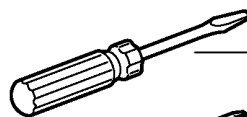
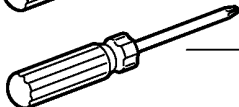

Use Gasket Kit	Contains:	Service Number	Description
P021015980		10024242030	GASKET, CRANKCASE
		14586642031	GASKET, EXHAUST
		V100000160	GASKET, CYLINDER
		V103000480	GASKET, INTAKE
		V103000490	GASKET, INTAKE
		V104000360	GASKET, EXHAUST
		V104000850	SHIELD, EXHAUST

300 0043 000

<u>ITEM</u>	<u>PART NUMBER</u>	<u>QTY</u>	<u>DESCRIPTION</u>	<u>REMARKS</u>
1	P021015980	1	GASKET KIT	

RePower Tune-Up Kit	Contains: Service Number	Description
90074	13031054130	AIR FILTER
	13120507320	FUEL FILTER
	15901019830	SPARK PLUG BPM-8Y

<u>ITEM</u>	<u>PART NUMBER</u>	<u>QTY</u>	<u>DESCRIPTION</u>	<u>REMARKS</u>
1	90074	1	TUNE-UP KIT	

	SOCKET WRENCH W/SCREWDRIVER (Also Removes Spark Plugs)
	1 - 89541010630 -- 17X19mm
	2 - X602000020 -- 17X19mm
	3 - 89541039131 -- 10X19mm
	4 - 89541006960 -- 13X19mm
	SOCKET WRENCH
	5 - X602000031 -- 17X14.5mm
	LOCKING ROD
	6 - 89751801131 -- 5X120mm
	OPEN END WRENCH
	7 - 89511200330 -- 8X10mm
	8 - 89512220960 -- 17X19mm
	9 - 89501505260 -- 10mm
	HEX BAR
	10 - 89541220960 -- 10mm
	HEX KEY
	11 - 89561203430 -- 3mm
	12 - 89561000130 -- 4mm
	13 - 89561100330 -- 5mm
	TORX KEY
	14 - X605000060 -- T27
	SCREWDRIVER
	15 - 89581100130 -- 125mm SLOTTED
	16 - 89581203930 -- 50mm PHILLIPS
	CHUCK KEY
	17 - 89757005560

Consult Your Operators Manual For The Tools Used With Your Model

200 0002 000

ITEM	PART NUMBER	QTY	DESCRIPTION	REMARKS
1	89541010630	1	SOCKET WRENCH/SCREWDRIVER	17X19mm
2	X602000020	1	SOCKET WRENCH/SCREWDRIVER	17X19mm
3	89541039131	1	SOCKET WRENCH/SCREWDRIVER	10X19mm
4	89541006960	1	SOCKET WRENCH/SCREWDRIVER	13X19mm
5	X602000031	1	SOCKET WRENCH	17X14.5mm
6	89751801131	1	LOCKING ROD	5X120mm
7	89511200330	1	OPEN END WRENCH	8X10mm
8	89512220960	1	OPEN END WRENCH	17X19mm
9	89501505260	1	OPEN END WRENCH	10mm
10	89541220960	1	HEX BAR	10mm
11	89561203430	1	HEX KEY	3mm
12	89561000130	1	HEX KEY	4mm
13	89561100330	1	HEX KEY	5mm
14	X605000060	1	TORX KEY	T27
15	89581100130	1	SCREWDRIVER	125mm SLOT HEAD
16	89581203930	1	SCREWDRIVER	50mm CROSS HEAD
17	89757005560	1	CHUCK KEY	



Part Number Index

Click The Page Number After Any Part Number To View The Diagram Containing That Part.

Part Number	Page	Part Number	Page	Part Number	Page
-----	9, 11	90024603025	35	P021012210	7
10001311520	19	90030020022	29	P021012870	9
10001411520	19	90050000005	9, 21, 25, 35	P021015560	15
10001504630	19	90050200006	35	P021015660	21
10020452132	19	90051100010	29	P021015820	35
10021242031	19	90051800006	35	P021015980	39
10024242030	19	90056550008	35	P022002100	5
12533942030	11	90060000005	29	P022006830	5
12534252130	11	90060300005	5, 7	P022006850	5
12534413931	11	90060500005	25, 29	P022008270	5
12534452130	11	90070100012	15	P022008280	5
12538108660	11	90070200022	29	P022019680	5
12901152730	9	90070200028	15	P022019990	5
13001744331	9	90070200032	29	SB1096	19
13031054130	9	90070600010	29	V100000160	19
13101655830	7	90070600012	29	V103000480	9, 19
13120507320	7	90074	41	V103000490	9, 19
13201256030	7	90080000609	29	V104000360	13
13201309820	7	90080796001	15	V104000850	13, 19
14586240630	13	90085506900	29	V137000030	7
15901019830	17	90085806900	29	V150000371	13
15911209961	35	9154503010	35	V265000100	23
15911621231	17	9403536201	19, 29	V299000250	9
16201427230	17	96900120331	27	V347000000	13
17500548931	15	A011000101	19	V353000231	7
17722827030	5	A021001690	11	V420001081	15
17723412220	5	A051001311	5	V430002280	35
17723661830	5	A052000180	5	V450000660	23
17724611120	5	A056000230	15	V471001210	7
17801005960	35	A101000090	19	V471001230	7
17801205960	35	A127000160	17	V475000000	35
17801335631	35	A130000540	19	V475004160	17
215601	23	A160001090	5	V485001120	17
22492452130	35	A232000480	9	V553000060	19
35110247530	35	A300000790	13	V622000020	15, 19
35131102330	35	A313000600	13	V804000060	5, 15
35142152130	35	A320000480	13	V804000070	17
60501454230	35	A350000780	7	V804000080	13
61001344730	31	A356000030	7	V805000000	5
61021744730	31	A365000060	7	V805000060	29
61023904130	29	A409000210	17	V805000100	9
61024644730	31	A411000130	17	V805000120	25
61030044830	29	A425000000	17	V805000130	25, 29
61031507130	29	A426000010	17	V805000140	21, 33
61036008931	29	A427000013	17	V805000150	5, 13, 17, 21
61040240932	29	A440001250	35	V805000160	5, 7, 9, 15, 35
61041307130	29	A444000020	35	V805000170	35
61043450031	29	A575000100	15	V805000190	13
61046027431	29	C050001190	31	X407000410	23
61092227432	15	C062000310	33	X470000160	23
69901523431	25	C400000000	35	X471000040	23
69901644330	21	C535000150	29	X471000050	23
89012152730	37	C535000160	29	X473000000	23
89015204930	31	C550000031	21	X475000040	23
89016841031	25	C550000200	25	X502000320	25
89033252730	37	C552000110	21	X502000330	37
89501505260	43	C646000060	33	X505002310	37
89511200330	43	C652000000	33	X505002500	31
89512220960	43	P005000100	11	X532000671	37
89541006960	43	P005000190	11	X532000720	37
89541010630	43	P005000250	11	X547001300	37
89541039131	43	P005000270	11	X547001330	37
89541220960	43	P005000280	11	X547001360	37
89561000130	43	P005001000	11	X547001530	37
89561100330	43	P005001240	11	X602000020	43
89561203430	43	P005001260	11	X602000031	43
89581100130	43	P005001270	11	X605000060	43
89581203930	43	P005001660	11		
89751801131	43	P005001670	11		
89757005560	43	P005001890	11		
90016205022	19	P005001900	11		
90016205028	19	P005002050	11		
90022005030	35	P021007712	19		



Part Description Index

Click The Page Number After Any Part Description To View The Diagram Containing That Part.

8
8", 8-TOOTH BLADE - 20mm ARBOR.....27

B
BEARING, BALL - 6001.....15
BEARING, BALL - 609.....29
BEARING, BALL - 6201.....19, 29
BEARING, BALL - 6900.....29
BEARING, NEEDLE.....19
BEVEL GEAR SET.....29
BODY, CARBURETOR.....11
BOLT.....35
BOLT 8X8.....29
BOLT, SHAFT.....23
BRACKET, SHIELD.....25
BULB, PURGE.....11

C
CABLE, THROTTLE.....35
CAM, INNER.....23
CAP ASY.....7
CAP, LIMITER.....11
CAP, SPARK PLUG.....17
CARBURETOR.....9
CARBURETOR -- RB-K93.....11
CASE, AIR CLEANER.....9
CASE, GEAR.....29
CHUCK KEY.....43
CIRCLIP 10.....29
CIRCLIP 12.....15, 29
CIRCLIP 22.....29
CIRCLIP 28.....15
CIRCLIP 32.....29
CIRCLIP, PISTON PIN.....19
CLAMP.....17
CLIP.....7, 35
CLUTCH ASY.....15
COIL, IGNITION.....17
COLLAR.....7
CONICAL WASHER.....13
CONNECTOR, CAP.....7
COVER - CORRUGATED.....35
COVER, DEBRIS.....17
COVER, DIAPHRAGM.....11
COVER, ENGINE.....5
CRANKCASE KIT.....19
CRANKSHAFT ASY.....19
CUSHION.....15, 33
CUTTER, LINE.....21
CYLINDER.....19

D
DIAPHRAGM, METERING.....11
DIAPHRAGM, PUMP.....11
DIAPHRAGM/GASKET KIT.....11
DOWEL PIN - 4X7.8mm.....15, 19
DRIVE, OUTER.....23
DRIVESHAFT - FLEXIBLE.....31
DRUM.....5
DRUM, CLUTCH.....15
DUCT, AIR.....13

E-RING.....5, 11
EYE PLATE.....13
EYELET.....23

F
FAN COVER ASY.....15
FILTER, AIR.....9
FILTER, FUEL.....7
FLANGE NUT 6.....35
FLANGE, SHIELD.....21
FLYWHEEL.....17

G
GASKET KIT.....39
GASKET, CAP.....7
GASKET, CRANKCASE.....19
GASKET, CYLINDER.....19
GASKET, EXHAUST.....13
GASKET, INTAKE.....9, 19
GASKET, METERING.....11
GASKET, PUMP.....11
GEAR HOUSING ASY.....29
GRIP, HANDLE.....35
GRIP, STARTER.....5
GROMMET, FUEL.....7
GUIDE, EXHAUST.....13

H
HANDLE BRACKET ASY.....35
HANDLE, FRONT.....35
HARNES HANGER KIT.....33
HARNES, SHOULDER.....33
HEX BAR.....43
HEX KEY.....43
HOLDER - LOWER.....15
HOLDER -- UPPER.....15
HOUSING.....23

I
INSULATOR, INTAKE.....9

K
KNOB, SWITCH - ORANGE.....35

L
LABEL - CAUTION.....25, 31
LABEL - CAUTION -- HOT.....37
LABEL - CHOKE.....37
LABEL - ECHO.....25, 37
LABEL - MODEL -- SRM-225.....37
LABEL - MODEL -- SRM-225i.....37
LABEL - MODEL -- SRM-225SB.....37
LABEL - MODEL -- SRM-225U.....37
LABEL - PIPE LOCATION.....31
LABEL - SPARK PLUG -- BPM-8Y.....37
LABEL - SPARK PLUG -- BPMR-8Y.....37
LEAD, GROUND.....17
LEAD, IGNITION.....17
LEVER, METERING.....11
LID, AIR CLEANER.....9
LINER, FLEXIBLE.....31

LOCKING ROD.....43
LOCKOUT, THROTTLE.....35
LOCKWASHER.....25, 29

M
MAIN PIPE ASY.....31
MUFFLER.....13

N
NEEDLE - HIGH SPEED.....11
NUT.....9, 23, 35
NUT 10 - LEFT HANDED.....29
NUT 5.....21, 25, 35

O
OIL SEAL.....19, 29
OPEN END WRENCH.....43
O-RING.....11

P
PAWL, STARTER.....5
PIN, METERING LEVER.....11
PIN, PISTON.....19
PIPE, FUEL - 3X5X210mm.....7
PIPE, RETURN - 3X6X80mm.....7
PIPE, VENT - 3X5X90mm.....7
PISTON KIT.....19
PLASTIC SHIELD KIT.....21
PLATE, ADAPTER - LOWER.....29
PLATE, ADAPTER - UPPER.....29
PLATE, CAM.....5
PLATE, PREVENT.....9
PURGE BASE ASY.....11

R
RECOIL STARTER ASY.....5
REPAIR KIT.....11
RETAINER, PURGE BULB.....11
RING, PISTON.....19
ROLLER, GUIDE.....11
ROPE, STARTER - 3X700mm.....5
ROTOR COVER ASY.....11

S
SCREEN, MUFFLER.....13
SCREW.....5
SCREW 3X10.....35
SCREW 3X25.....35
SCREW 4X16.....5, 15
SCREW 4X20.....17
SCREW 4X8.....13
SCREW 5X10.....25, 29
SCREW 5X12.....21, 33
SCREW 5X16.....5, 13, 17, 21
SCREW 5X20.....5, 7, 9, 15, 35
SCREW 5X22.....19
SCREW 5X25.....35
SCREW 5X28.....19
SCREW 5X30.....35
SCREW 5X35.....29
SCREW 5X55.....13
SCREW 5X65.....9
SCREW 5X8.....25



Part Description Index (continued)

SCREW, DIAPHRAGM COVER.....11
 SCREW, METERING LEVER PIN.....11
 SCREW, PURGE BASE ASY.....11
 SCREW, PURGE BULB RETAINER.....11
 SCREW, ROTOR COVER.....11
 SCREW, ROTOR COVER ASY.....11
 SCREW, THROTTLE ADJUST.....11
 SCREWDRIVER.....43
 SHAFT, GEAR.....29
 SHIELD.....25
 SHIELD - PLASTIC.....21
 SHIELD, EXHAUST.....13, 19
 SHIELD, INTAKE.....9, 19
 SHORT BLOCK.....19
 SOCKET WRENCH.....43
 SOCKET WRENCH/SCREWDRIVER.....43
 SPACER.....29
 SPACER, PISTON PIN.....19
 SPARK PLUG -- BPM-8Y.....17
 SPARK PLUG -- BPMR-8Y.....17
 SPLIT PIN 2X22.....29
 SPOOL.....23
 SPRING.....23
 SPRING, DAMPER.....5
 SPRING, METERING LEVER.....11
 SPRING, RETURN.....5
 SPRING, REWIND.....5
 SPRING, THROTTLE LOCK.....35
 STARTER PAWL ASY.....5
 STOPPER.....31
 STOPPER, ROPE.....5
 STRAINER.....11
 SWITCH, IGNITION.....35
 SWIVEL.....11

T

TANK, FUEL.....7
 TAPPING SCREW 5X16.....5
 TERMINAL, SPARK PLUG CAP.....17
 THROTTLE CONTROL ASY.....35
 THUMB SCREW.....9
 TORX KEY.....43
 TRIGGER, THROTTLE.....35
 TUBE, INSULATOR.....17
 TUNE-UP KIT.....41

U

U-TURN HEAD.....23

V

VALVE, INLET NEEDLE.....11
 VENT ASY.....7

W

WASHER.....5, 29, 35
 WASHER 5.....7
 WASHER, SHIM.....29

NOTES



ECHO, INCORPORATED
400 Oakwood Road
Lake Zurich, IL 60047 USA

WWW.ECHO-USA.COM

Free Manuals Download Website

<http://myh66.com>

<http://usermanuals.us>

<http://www.somanuals.com>

<http://www.4manuals.cc>

<http://www.manual-lib.com>

<http://www.404manual.com>

<http://www.luxmanual.com>

<http://aubethermostatmanual.com>

Golf course search by state

<http://golfingnear.com>

Email search by domain

<http://emailbydomain.com>

Auto manuals search

<http://auto.somanuals.com>

TV manuals search

<http://tv.somanuals.com>