



---

**OPTIONAL ATTACHMENTS & ACCESSORIES**

**Attachments**

99944700190	CSG_QV Storage Case
99988800045	QuikVent Carbide Sawing Chain
99988800141	QuikVent Guide Bar
99988801140	QuikVent Blade Cover

**PARTS CATALOG**  
**QV-670 Quik Vent Saw**

**66.7cc**

**SERIAL NUMBERS**

---

S/N: 03001001 - 03999999

---

***ECHO, INCORPORATED***

400 Oakwood Road Lake Zurich, Illinois 60047 USA

WWW.ECHO-USA.COM



# Table of Contents

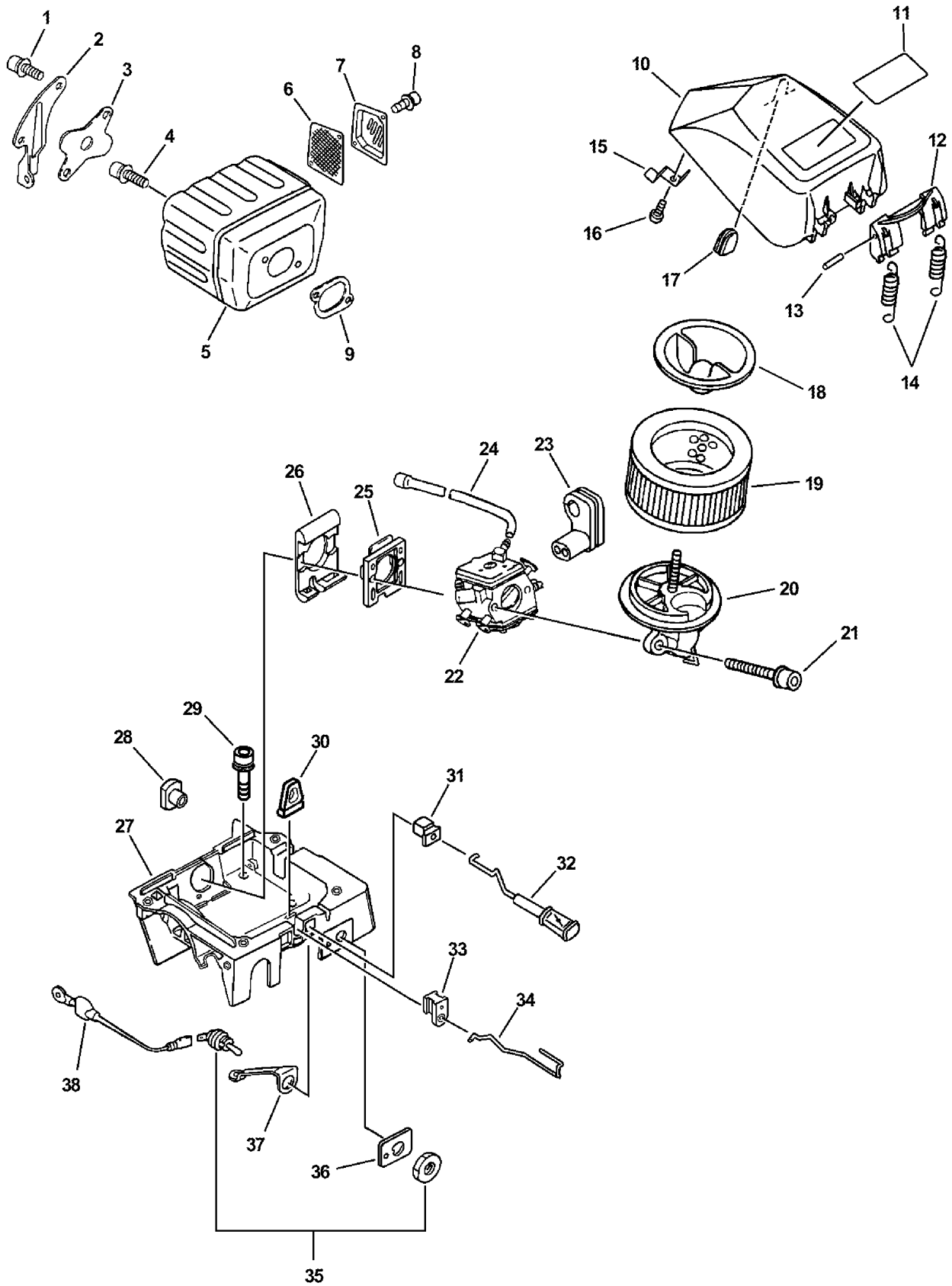
---

Click Any Diagram Description Below To View That Diagram.

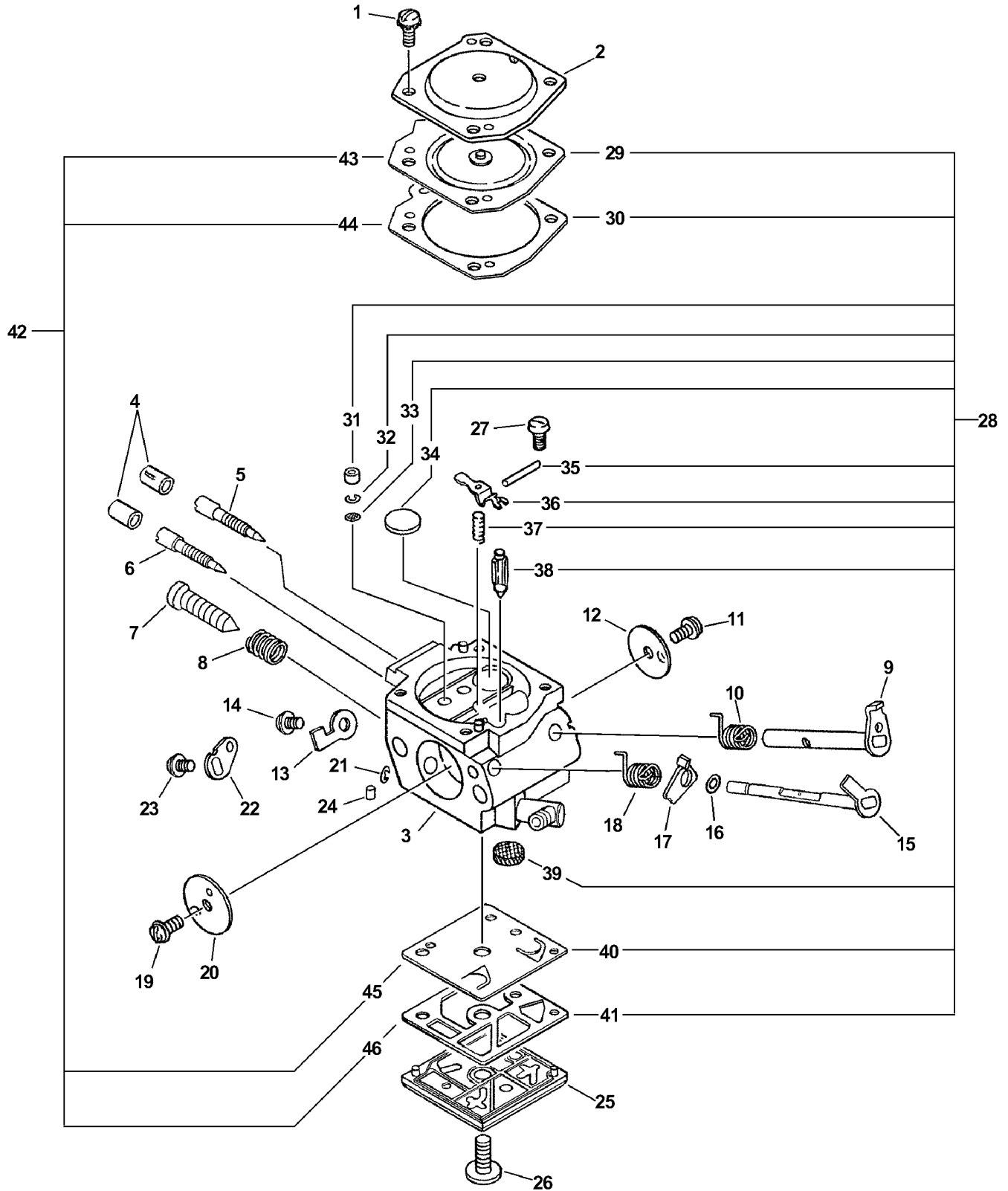
## **QV-670 S/N: 03001001 - 03999999**

Intake, Exhaust.....	4
Carburetor -- HD-203.....	6
Ignition, Starter.....	8
Chain Brake Assembly, Guide Bar, Chain.....	10
Clutch.....	12
Auto-Oiler.....	14
Handles.....	16
Engine, Cylinder Cover.....	18
Part Number Index.....	20
Part Description Index.....	21

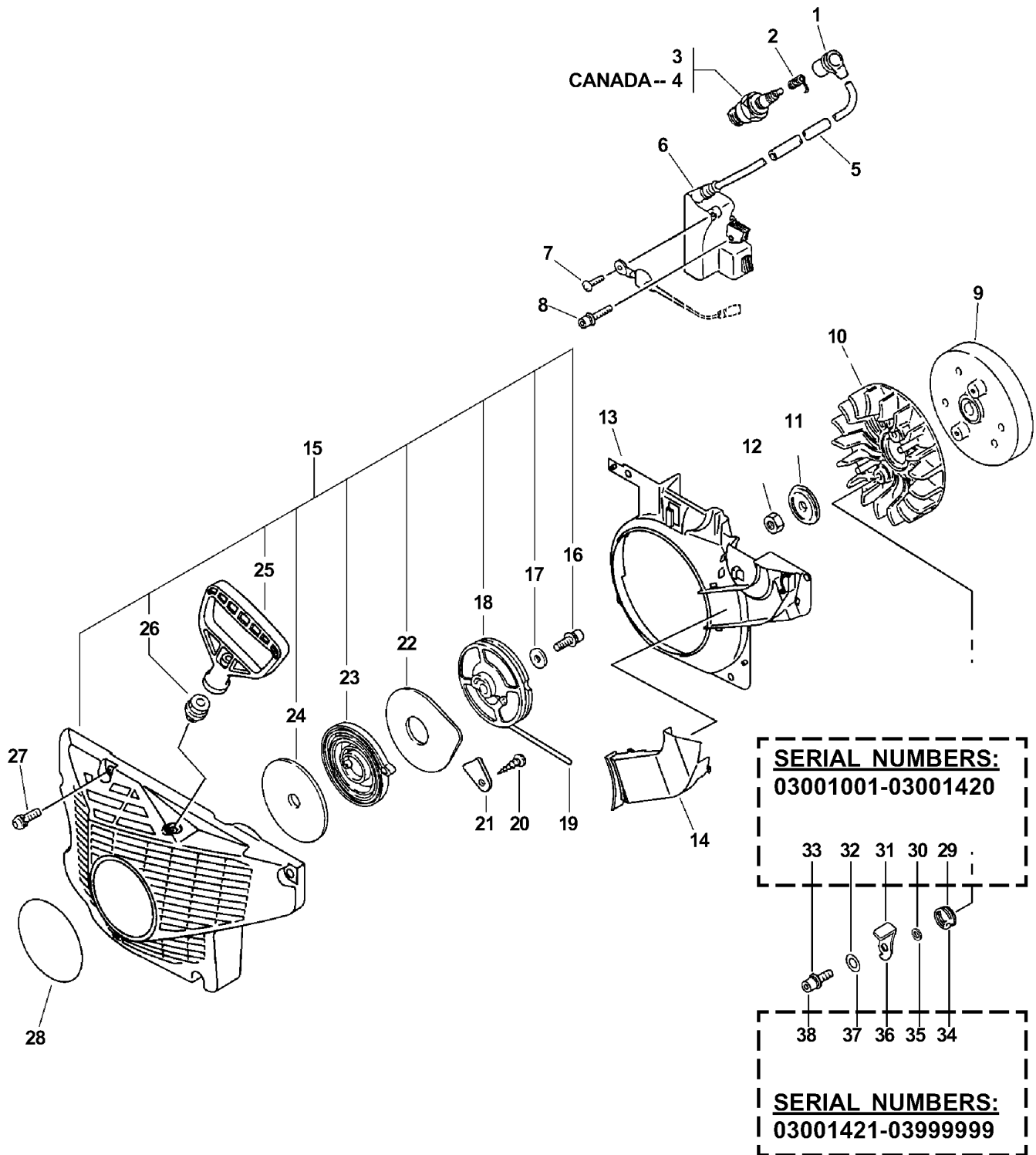
***This Page Intentionally Left Blank***



ITEM	PART NUMBER	QTY	DESCRIPTION	REMARKS
1	90016205014	2	SCREW 5X14	
2	14571132430	1	BRACKET, MUFFLER	
3	14581331730	1	COVER, MUFFLER	
4	90016205020	2	SCREW 5X20	
5	14561032430	1	MUFFLER	
6	14586232630	1	SCREEN, MUFFLER	
7	A313000280	1	GUIDE, EXHAUST	
8	90016204010	2	SCREW 4X10	
9	14551032431	1	GASKET, MUFFLER	
10	A232000070	1	LID, AIR CLEANER	
11	X503002490	1	LABEL - MODEL -- QV-670	
12	A235000050	1	LATCH, AIR CLEANER LID	
13	90033030120	4	PIN	
14	V451000190	2	SPRING, TENSION	
15	V453000040	2	SPRING, FLAT	
16	90025304010	2	SCREW 4X10	
17	13033832430	1	PLUG, COVER	
18	A238000030	1	HOLDER, ELEMENT	
19	A226000070	1	FILTER, AIR	
20	A204000020	1	ELBOW, CARBURETOR	
21	9110705050	2	BOLT, FLANGE	
22	A021000290	1	CARBURETOR -- HDA-203	
23	V131000010	1	GROMMET, NEEDLE	
24	13011019830	1	PIPE, IMPULSE	
25	P021002800	1	INSULATOR, INTAKE	
26	V420000320	1	CUSHION	
27	P021014560	1	CASE, CARBURETOR	
28	13002033330	1	NUT	
29	90016205020	4	SCREW 5X20	
30	V420000540	1	CUSHION	
31	17881033331	1	GROMMET, CHOKE	
32	A241000030	1	ROD, CHOKE	
33	17811432630	1	HOLDER, THROTTLE LEVER	
34	C454000060	1	ROD, THROTTLE	
35	16340032430	1	SWITCH,IGNITION	
36	89015719830	1	LABEL, SWITCH	
37	15663532430	1	LUG, GROUND	
38	16202132430	1	LEAD	



ITEM	PART NUMBER	QTY	DESCRIPTION	REMARKS
	A021000290	1	CARBURETOR -- HD-203	
<b>1</b>	12313002960	4	SCREW, METERING DIAPHRAGM COVER	
<b>2</b>	12314217330	1	COVER, METERING DIAPHRAGM	
<b>3</b>	-----	1	BODY, CARBURETOR -- NOT AVAILABLE SEPARATELY	
<b>4</b>	P003000010	2	CAP, MIXTURE LIMITER	
<b>5</b>	12311802261	1	NEEDLE - LOW SPEED	
<b>6</b>	12312032631	1	NEEDLE - HIGH SPEED	
<b>7</b>	12313419730	1	SCREW, IDLE ADJUST	
<b>8</b>	P003000540	1	SPRING, IDLE ADJUST	
<b>9</b>	P003000550	1	SHAFT, THROTTLE	
<b>10</b>	P003000560	1	SPRING, THROTTLE RETURN	
<b>11</b>	12311405260	1	SCREW	
<b>12</b>	12313216130	1	VALVE, THROTTLE	
<b>13</b>	12315630830	1	STOP, THROTTLE	
<b>14</b>	12311403930	1	SCREW, THROTTLE STOP	
<b>15</b>	P003000600	1	SHAFT, CHOKE	
<b>16</b>	12314926030	1	WASHER	
<b>17</b>	P003000620	1	LEVER, FAST IDLE	
<b>18</b>	P003000610	1	SPRING, CHOKE RETURN	
<b>19</b>	12311403930	1	SCREW, CHOKE VALVE	
<b>20</b>	12313232430	1	VALVE, CHOKE	
<b>21</b>	12312715030	1	CIRCLIP	
<b>22</b>	P003000590	1	LEVER, CHOKE	
<b>23</b>	12311403930	1	SCREW, CHOKE LEVER	
<b>24</b>	12317815030	1	PLUG, FRICTION	
<b>25</b>	12312419830	1	COVER, FUEL PUMP	
<b>26</b>	12311016130	1	SCREW, PUMP COVER	
<b>27</b>	-----	1	SCREW, METERING LEVER PIN	
<b>28</b>	P003000030	1	REPAIR KIT	INCLUDES ITEMS 29-41
<b>29</b>	-----	1	DIAPHRAGM, METERING	
<b>30</b>	-----	1	GASKET, METERING DIAPHRAGM	
<b>31</b>	-----	1	PLUG, CUP	
<b>32</b>	-----	1	RING, RETAINING	
<b>33</b>	-----	1	SCREEN	
<b>34</b>	-----	1	PLUG, WELCH	
<b>35</b>	-----	1	PIN, METERING LEVER	
<b>36</b>	-----	1	LEVER, METERING	
<b>37</b>	-----	1	SPRING, METERING LEVER	
<b>38</b>	-----	1	VALVE, INLET NEEDLE	
<b>39</b>	-----	1	SCREEN, INLET	
<b>40</b>	-----	1	DIAPHRAGM, FUEL PUMP	
<b>41</b>	-----	1	GASKET, FUEL PUMP	
<b>42</b>	P003000040	1	DIAPHRAGM/GASKET KIT	INCLUDES ITEMS 43-46
<b>43</b>	-----	1	DIAPHRAGM, METERING	
<b>44</b>	-----	1	GASKET, METERING DIAPHRAGM	
<b>45</b>	-----	1	DIAPHRAGM, FUEL PUMP	
<b>46</b>	-----	1	GASKET, FUEL PUMP	

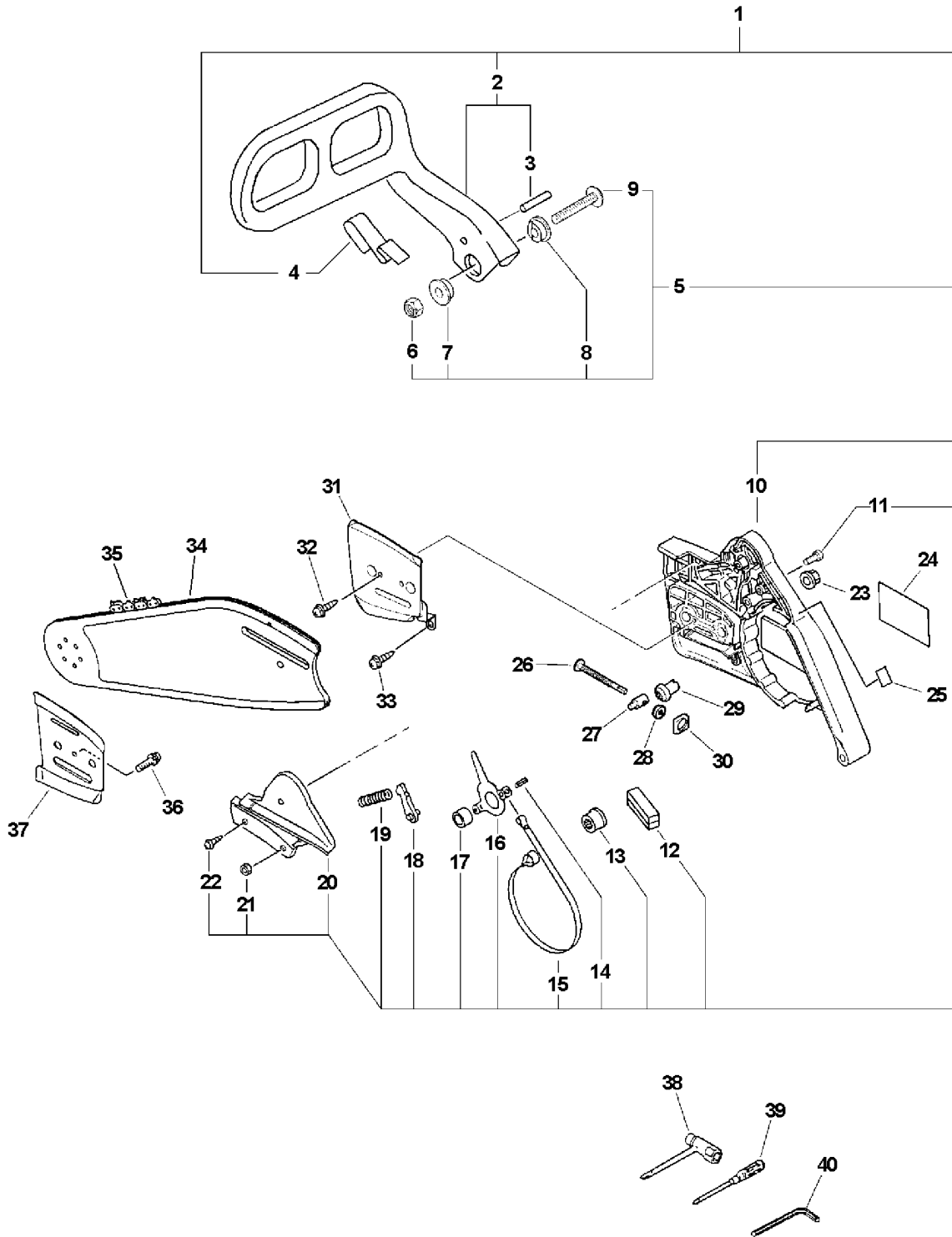




ITEM	PART NUMBER	QTY	DESCRIPTION	REMARKS
1	A427000010	1	CAP, SPARK PLUG	
2	A426000010	1	TERMINAL, SPARK PLUG CAP	
3	15901010630	1	SPARK PLUG -- BPM-7A	
4	15901010230	1	SPARK PLUG -- BPMR-7A	CANADA MODELS: 04001001-04999999
5	15061132430	1	TUBE	
6	15660132631	1	COIL, IGNITION	
7	90024204008	1	SCREW	
8	90016204020	2	SCREW 4X20	
9	15680032631	1	FLYWHEEL	
10	10152132330	1	FAN, COOLING	
11	10014319830	1	WASHER	
12	90050000008	1	NUT 8	
13	A172000130	1	COVER, FAN	
14	A161000020	1	DUCT, AIR	
15	P021002971	1	STARTER ASY	INCLUDES ITEMS 20-30
16	90016205014	1	SCREW 5X14	
17	90060300005	1	WASHER 5	
18	17721532330	1	DRUM, STARTER	
19	17722607060	1	ROPE, STARTER - 4mmX900mm <sup>1</sup>	REPOWER BULK OPTION: 99944450000
20	90025304008	1	SCREW 4X8	
21	43314415130	1	RETAINER, BRAKE BAND	
22	17722107060	1	PLATE, STARTER	
23	17722002834	1	SPRING, REWIND	
24	17722102830	1	PLATE, STARTER	
25	17722832630	1	GRIP, STARTER	
26	17722707060	1	GUIDE, ROPE	
27	90016205020	4	SCREW 5X20	
28	89011817930	1	LABEL, ECHO	
29	17723419830	2	SPRING, RETURN <sup>2</sup>	
30	17724707060	2	SPACER, RATCHET <sup>2</sup>	
31	17721832630	2	PAWL, STARTER <sup>2</sup>	
32	90060300005	2	WASHER 5 <sup>2</sup>	
33	90016205014	2	SCREW 5X14 <sup>2</sup>	
34	17723419832	2	SPRING, RETURN <sup>3</sup>	
35	V353000191	2	SPACER, RATCHET <sup>3</sup>	
36	17721832631	2	PAWL, STARTER <sup>3</sup>	
37	90060300005	2	WASHER 5 <sup>3</sup>	
38	90016205020	2	SCREW 5X20 <sup>3</sup>	

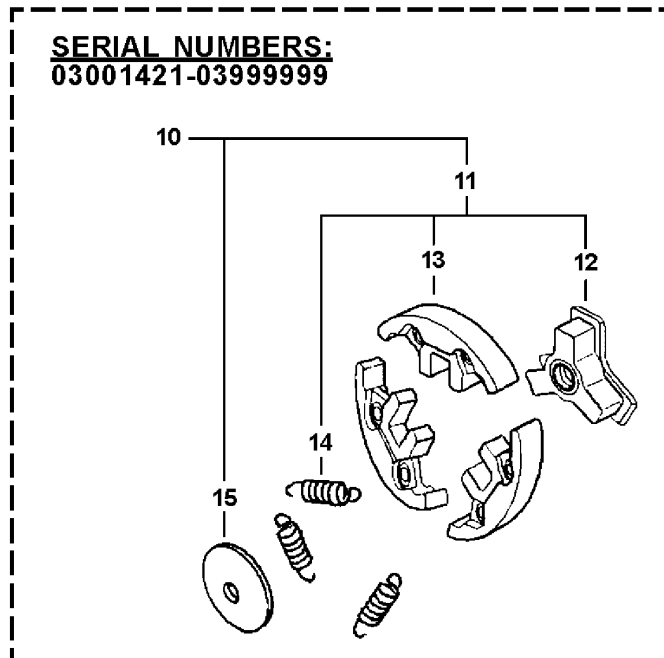
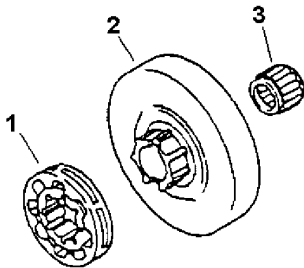
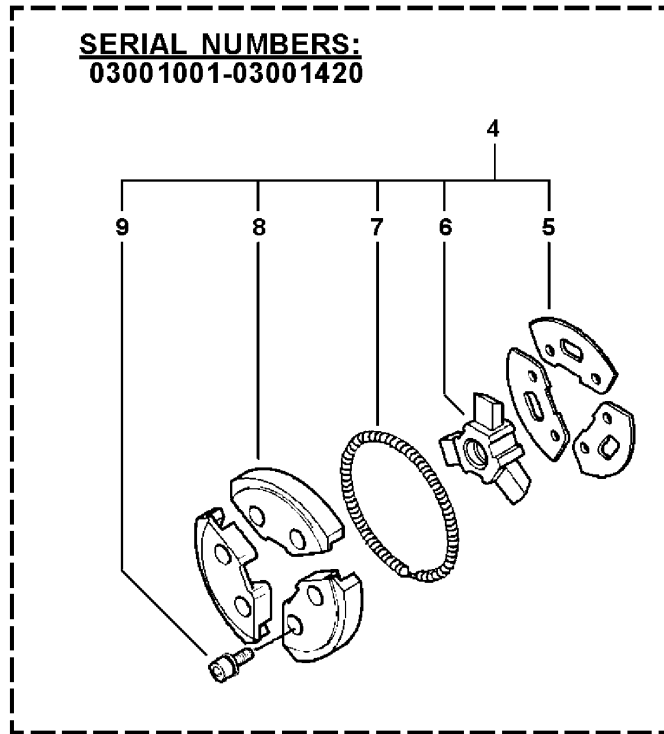
**Footnotes**

- 1: BULK OPTION: 99944450000
- 2: SERIAL NUMBERS: 03001001-03001420
- 3: SERIAL NUMBERS: 03001421-03999999



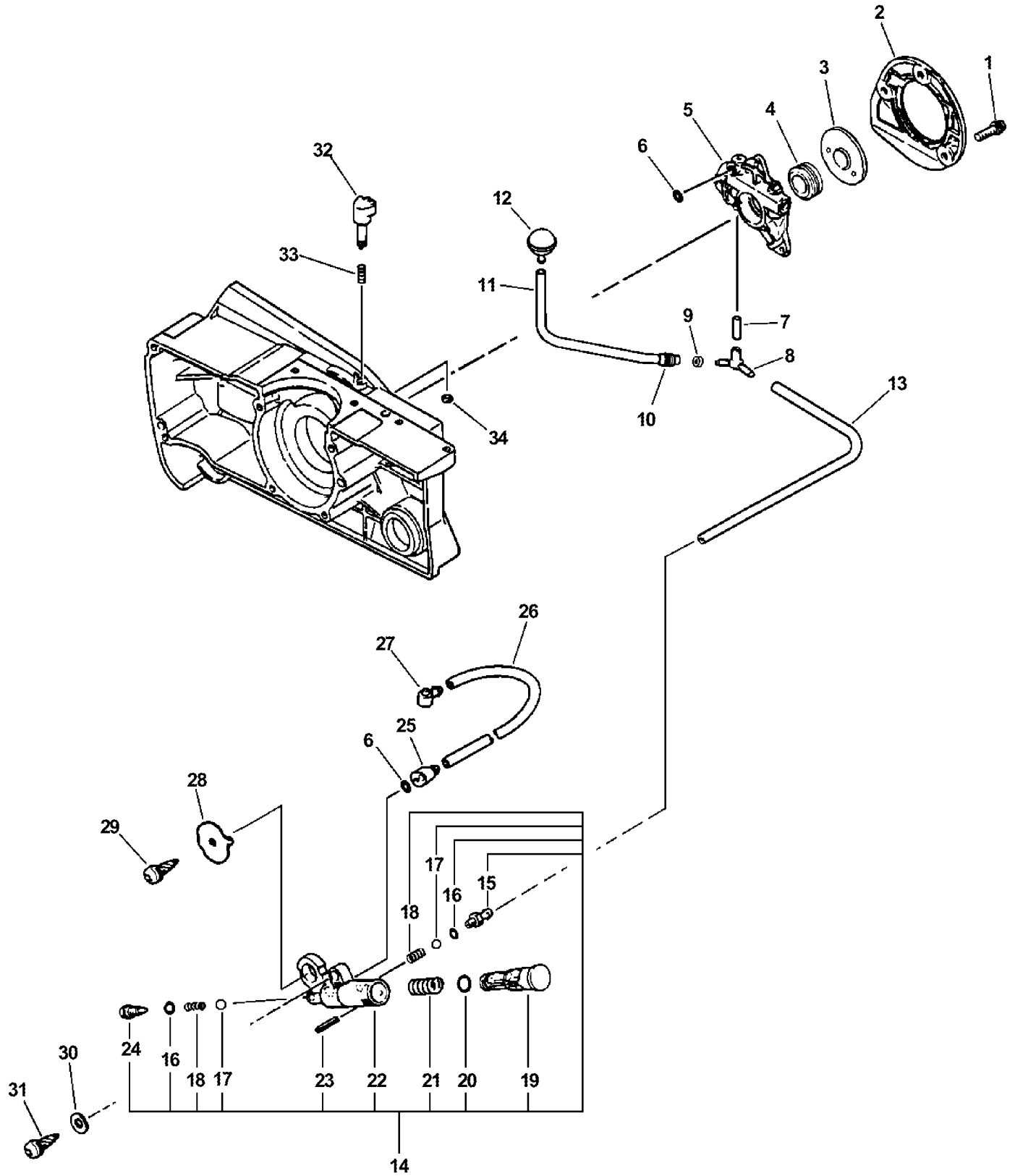
QV0001003\_4

ITEM	PART NUMBER	QTY	DESCRIPTION	REMARKS
1	43320232633	1	CHAIN BRAKE ASY	INCLUDES ITEMS 2-22
2	43310533530	1	LEVER, BRAKE	
3	90033035260	1	PIN 3.5X26	
4	43311438131	1	SPRING	
5	43311337538	1	SCREW KIT	INCLUDES ITEMS 6-9
6	90056000005	1	LOCKNUT	
7	43316739130	1	SPACER	
8	43316739730	1	COLLAR 5	
9	90020905035	1	SCREW	
10	P021002291	1	GUARD, SPROCKET	
11	90022003018	1	SCREW 3X18	
12	43331232630	1	COVER, SEAL	
13	43314235430	1	ADJUSTER, BRAKE	
14	90033040088	1	ROLLER 4X8.8	
15	43312338130	1	BAND, BRAKE	
16	43320835431	1	CONNECTOR, BRAKE	
17	43311635430	1	SPACER 8	
18	43320935430	1	STOPPER, BRAKE	
19	43312238130	1	SPRING, BRAKE	
20	43331038230	1	COVER, BRAKE	
21	90050000003	1	NUT 3	
22	90025204012	2	SCREW 4X12	
23	43301912330	2	NUT, FLANGE 8	
24	89011815130	1	LABEL, ECHO	
25	X524000680	1	LABEL	
26	V203000040	1	BOLT 5	
27	C309000030	1	TENSIONER, CHAIN	
28	V651000010	1	GEAR, BEVEL	
29	V651000000	1	GEAR, BEVEL	
30	V355000030	1	COLLAR 8	
31	C305000050	1	PLATE, GUIDE - OUTER	
32	90024103006	2	SCREW 3X6	
33	90025304010	1	SCREW 4X10	
34	99988800141	1	GUIDE BAR - QUICKVENT	
35	99988800045	1	CHAIN -- CARBICHAIN QUICKVENT	
36	90024104008	1	SCREW 4X8	
37	43301332631	1	PLATE, GUIDE - INNER	
38	89541006960	1	WRENCH W/SCREWDRIVER	
39	89581203930	1	SCREWDRIVER	
40	89561000130	1	L-WRENCH - 4mm	

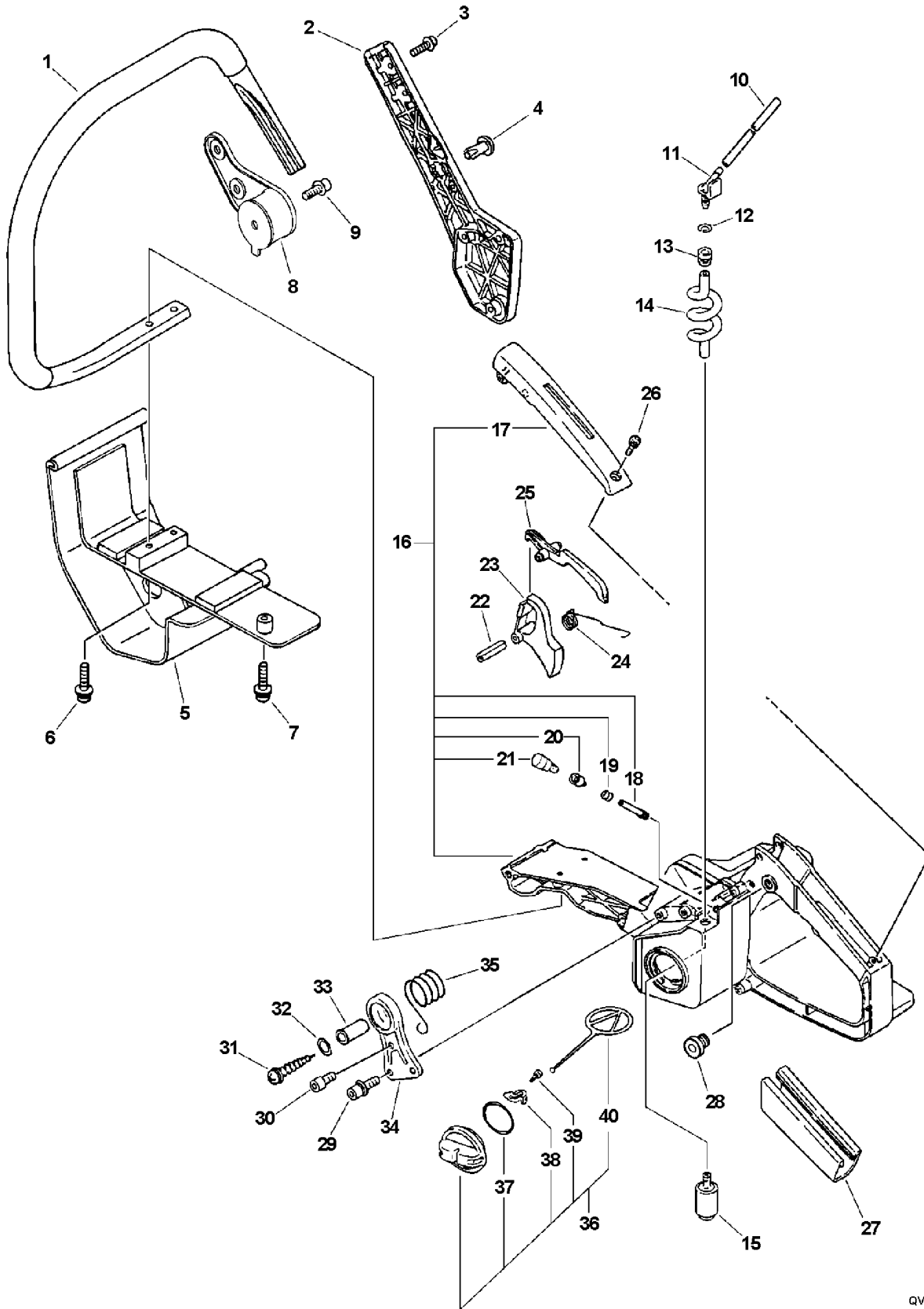


QV0002003\_4

ITEM	PART NUMBER	QTY	DESCRIPTION	REMARKS
1	682100	1	SPROCKET, RIM	
2	17510532430	1	DRUM, CLUTCH	
3	17501232430	1	BEARING, NEEDLE	
4	A056000041	1	CLUTCH ASY	INCLUDES ITEMS 5-9
5	A551000030	3	PLATE, CLUTCH	
6	A552000031	1	HUB, CLUTCH	
7	V451000260	1	SPRING, CLUTCH	
8	P021002890	1	CLUTCH SHOE SET	
9	90010504006	6	SCREW 4X6	
10	P021008200	1	CLUTCH ASY	INCLUDES ITEMS 11-15
11	A056000050	1	CLUTCH SHOE ASY	INCLUDES ITEMS 12-15
12	A552000040	1	HUB, CLUTCH	
13	P021007790	1	CLUTCH SHOE SET	
14	V451000430	3	SPRING, CLUTCH	
15	A551000051	1	PLATE, CLUTCH	



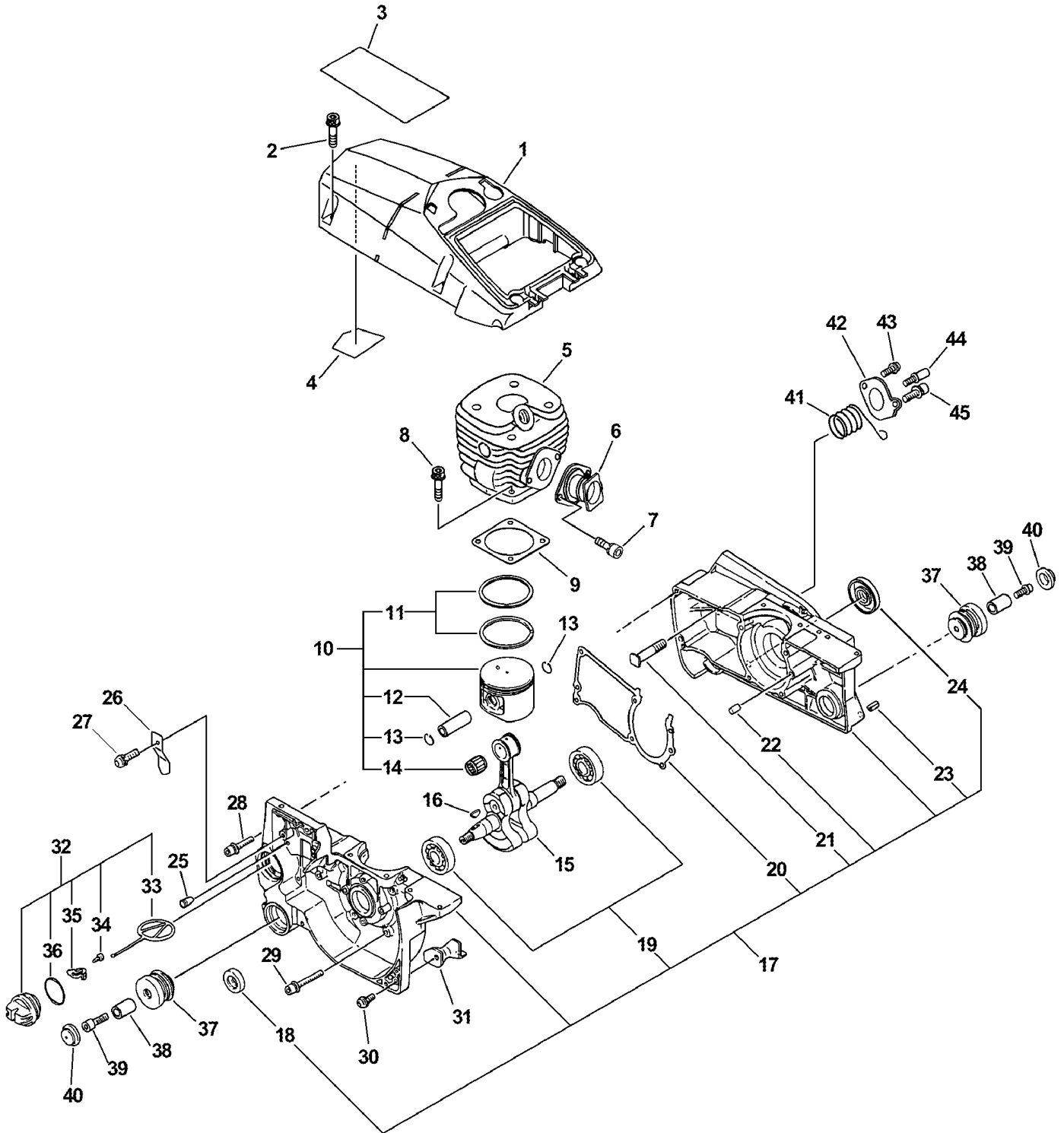
ITEM	PART NUMBER	QTY	DESCRIPTION	REMARKS
1	90016204012	3	SCREW 4X12	
2	43760537630	1	COVER, OIL PUMP	
3	V309000010	1	WASHER 12	
4	43706319930	1	GEAR, WORM	
5	43700237530	1	AUTO-OILER ASY	
6	90072000003	2	O-RING 3	
7	43721132430	1	PIPE, OIL	
8	43721232430	1	CONNECTOR, PIPE	
9	13201326630	1	CLIP	
10	13211512330	1	GROMMET	
11	43721038330	1	PIPE, OIL	
12	43620514730	1	FILTER, OIL	
13	43721015130	1	PIPE, OIL - 3X6X200mm	REPOWER BULK OPTION: 90015
14	43710038831	1	OIL PUMP ASY	INCLUDES ITEMS 15-24
15	43711819830	1	NIPPLE	
16	43712203430	2	O-RING	
17	43701200330	2	VALVE, BALL	
18	V450000290	2	SPRING, VALVE	
19	43711238731	1	PISTON, OIL PUMP	
20	90072000007	1	O-RING 7	
21	43711119830	1	SPRING	
22	43711019831	1	BODY, OIL PUMP	
23	90034520016	1	PIN, SPRING - 2X16	
24	43712110130	1	ADAPTER, OIL PUMP	
25	43721232630	1	CONNECTOR, PIPE	
26	43721632630	1	PIPE, OIL - 3X6X125	REPOWER BULK OPTION: 90017
27	43723232630	1	CONNECTOR, PIPE	
28	43741319830	1	BRACKET, OIL PUMP	
29	90025204010	1	SCREW 4X10	
30	90060300005	1	WASHER 5	
31	90025205020	1	SCREW 5X20	
32	43703937630	1	KNOB	
33	43701519830	1	SPRING	
34	90070000003	1	E-RING 3	



QV0009 00 000



ITEM	PART NUMBER	QTY	DESCRIPTION	REMARKS
1	C400000100	1	HANDLE, FRONT	
2	35161638230	1	BRACKET, HANDLE	
3	90023805020	5	SCREW 5X20	
4	V649000010	1	RIVET	
5	30510532630	1	STAND	
6	90016205030	2	SCREW 5X30	
7	90016205025	1	SCREW 5X25	
8	V401000050	1	CUSHION 5	
9	90016205014	1	SCREW 5X14	
10	13201056030	1	PIPE, FUEL - 3X6X110mm	REPOWER BULK OPTION: 90015
11	13201119830	1	CONNECTOR, PIPE	
12	13201326630	1	CLIP	
13	13211501461	1	GROMMET, FUEL	
14	13201030830	1	PIPE, FUEL - SRIRAL	
15	13120519830	1	FILTER, FUEL	
16	35110338131	1	REAR HANDLE ASY	INCLUDES ITEMS 17-21
17	35115535430	1	COVER, HANDLE	
18	13131232430	1	PIPE, VENT	
19	13011100530	1	CLIP	
20	13132840630	1	COVER, VENT	
21	A356000030	1	VENT ASY	
22	90034250025	1	PIN, SPRING - 5X25	
23	C450000040	1	TRIGGER, THROTTLE	
24	17804319830	1	SPRING, THROTTLE RETURN	
25	17809037930	1	LOCKOUT, THROTTLE CONTROL	
26	90023804014	1	SCREW 4X14	
27	35111119830	1	GRIP, HANDLE	
28	V162000040	1	PLUG	
29	90016205014	2	SCREW 5X14	
30	90010505008	1	SCREW 5X8	
31	90010505035	1	SCREW 5X35	
32	90063000005	1	WASHER 6	
33	V353000120	1	COLLAR 5	
34	V419000010	1	BRACKET, CUSHION	
35	V450000150	1	SPRING, COMPRESSION	
36	13100437631	1	CAP ASY	INCLUDES ITEMS 37-40
37	90072020029	1	O-RING 29	
38	13105019830	1	RETAINER, LINK	
39	90024603008	1	SCREW 3X8	
40	A365000050	1	CONNECTOR, CAP	



ITEM	PART NUMBER	QTY	DESCRIPTION	REMARKS
1	A160000210	1	COVER, ENGINE	
2	90016205020	5	SCREW 5X20	
3	89019132632	1	LABEL, CAUTION	
4	V341000010	1	DEFLECTOR, HEAT	
5	A130000171	1	CYLINDER	
6	A202000010	1	BELLOWS, INTAKE	
7	90016205014	2	SCREW 5X14	
8	90016205025	4	SCREW 5X25	
9	10101032431	1	GASKET, CYLINDER.	
10	P021002790	1	PISTON KIT	INCLUDES ITEMS 11-14
11	10001132430	2	RING, PISTON	
12	V610000000	1	PIN, PISTON	
13	V580000000	2	CIRCLIP	
14	10001232430	1	BEARING, NEEDLE	
15	A011000130	1	CRANKSHAFT ASY	
16	10014230830	1	WOODRUFF KEY	
17	10020438133	1	CRANKCASE KIT	INCLUDES ITEMS 18-27
18	10021219830	1	OIL SEAL	
19	90081036202	2	BEARING, BALL	
20	10024232430	1	GASKET, CRANKCASE	
21	43301119830	2	STUD, GUIDE BAR	
22	10021502830	2	DOWEL PIN	
23	90034550010	1	SPRING PIN 5X10	
24	10021232430	1	OIL SEAL	
25	43611413930	1	VALVE, CHECK	
26	V150000570	1	PLATE, EYE	
27	90024204008	1	SCREW	
28	90016205020	2	SCREW 5X20	
29	90016205035	4	SCREW 5X35	
30	90023805014	1	SCREW 5X14	
31	10091732430	1	CUSHION 5	
32	43600139231	1	CAP ASY	INCLUDES ITEMS 33-36
33	A365000050	1	CONNECTOR, CAP	
34	90024603008	1	SCREW 3X8	
35	13105019830	1	LINK, RETAINER	
36	90072502025	1	O-RING	
37	V420000530	2	CUSHION	
38	V353000110	2	COLLAR 5	
39	90010505025	2	SCREW 5X25	
40	10091819830	2	CAP, CUSHION	
41	V450000150	1	SPRING	
42	V150000750	1	PLATE, EYE	
43	90016204008	1	SCREW 4X8	
44	V203000050	1	BOLT 5	
45	90016205014	1	SCREW 5X14	



# Part Number Index

Click The Page Number After Any Part Number To View The Diagram Containing That Part.

Part Number	Page	Part Number	Page	Part Number	Page	Part Number	Page
-----	7	17811432630	5	90023805014	19	P021002890	13
10001132430	19	17881033331	5	90023805020	17	P021002971	9
10001232430	19	30510532630	17	90024103006	11	P021007790	13
10014230830	19	35110338131	17	90024104008	11	P021008200	13
10014319830	9	35111119830	17	90024204008	9, 19	P021014560	5
10020438133	19	35115535430	17	90024603008	17, 19	V131000010	5
10021219830	19	35161638230	17	90025204010	15	V150000570	19
10021232430	19	43301119830	19	90025204012	11	V150000750	19
10021502830	19	43301332631	11	90025205020	15	V162000040	17
10024232430	19	43301912330	11	90025304008	9	V203000040	11
10091732430	19	43310533530	11	90025304010	5, 11	V203000050	19
10091819830	19	43311337538	11	90033030120	5	V309000010	15
10101032431	19	43311438131	11	90033035260	11	V341000010	19
10152132330	9	43311635430	11	90033040088	11	V353000110	19
12311016130	7	43312238130	11	90034250025	17	V353000120	17
12311403930	7	43312338130	11	90034520016	15	V353000191	9
12311405260	7	43314235430	11	90034550010	19	V355000030	11
12311802261	7	43314415130	9	90050000003	11	V401000050	17
12312032631	7	43316739130	11	90050000008	9	V419000010	17
12312419830	7	43316739730	11	90056000005	11	V420000320	5
12312715030	7	43320232633	11	90060300005	9, 15	V420000530	19
12313002960	7	43320835431	11	90063000005	17	V420000540	5
12313216130	7	43320935430	11	90070000003	15	V450000150	17, 19
12313232430	7	43331038230	11	90072000003	15	V450000290	15
12313419730	7	43331232630	11	90072000007	15	V451000190	5
12314217330	7	43600139231	19	90072020029	17	V451000260	13
12314926030	7	43611413930	19	90072502025	19	V451000430	13
12315630830	7	43620514730	15	90081036202	19	V453000040	5
12317815030	7	43700237530	15	9110705050	5	V580000000	19
13002033330	5	43701200330	15	99988800045	11	V610000000	19
13011019830	5	43701519830	15	99988800141	11	V649000010	17
13011100530	17	43703937630	15	A011000130	19	V651000000	11
13033832430	5	43706319930	15	A021000290	5, 7	V651000010	11
13100437631	17	43710038831	15	A056000041	13	X503002490	5
13105019830	17, 19	43711019831	15	A056000050	13	X524000680	11
13120519830	17	43711119830	15	A130000171	19		
13131232430	17	43711238731	15	A160000210	19		
13132840630	17	43711819830	15	A161000020	9		
13201030830	17	43712110130	15	A172000130	9		
13201056030	17	43712203430	15	A202000010	19		
13201119830	17	43721015130	15	A204000020	5		
13201326630	15, 17	43721038330	15	A226000070	5		
13211501461	17	43721132430	15	A232000070	5		
13211512330	15	43721232430	15	A235000050	5		
14551032431	5	43721232630	15	A238000030	5		
14561032430	5	43721632630	15	A241000030	5		
14571132430	5	43723232630	15	A313000280	5		
14581331730	5	43741319830	15	A356000030	17		
14586232630	5	43760537630	15	A365000050	17, 19		
15061132430	9	682100	13	A426000010	9		
15660132631	9	89011815130	11	A427000010	9		
15663532430	5	89011817930	9	A551000030	13		
15680032631	9	89015719830	5	A551000051	13		
15901010230	9	89019132632	19	A552000031	13		
15901010630	9	89541006960	11	A552000040	13		
16202132430	5	89561000130	11	C305000050	11		
16340032430	5	89581203930	11	C309000030	11		
17501232430	13	90010504006	13	C400000100	17		
17510532430	13	90010505008	17	C450000040	17		
17721532330	9	90010505025	19	C454000060	5		
17721832630	9	90010505035	17	P003000010	7		
17721832631	9	90016204008	19	P003000030	7		
17722002834	9	90016204010	5	P003000040	7		
17722102830	9	90016204012	15	P0030000540	7		
17722107060	9	90016204020	9	P003000550	7		
17722607060	9	90016205014	5, 9, 17, 19	P003000560	7		
17722707060	9	90016205020	5, 9, 19	P003000590	7		
17722832630	9	90016205025	17, 19	P003000600	7		
17723419830	9	90016205030	17	P003000610	7		
17723419832	9	90016205035	19	P003000620	7		
17724707060	9	90020905035	11	P021002291	11		
17804319830	17	90022003018	11	P021002790	19		
17809037930	17	90023804014	17	P021002800	5		



# Part Description Index

Click The Page Number After Any Part Description To View The Diagram Containing That Part.

<p><b>A</b></p> <p>ADAPTER, OIL PUMP.....15                  ADJUSTER, BRAKE.....11                  AUTO-OILER ASY.....15</p> <p><b>B</b></p> <p>BAND, BRAKE.....11                  BEARING, BALL.....19                  BEARING, NEEDLE.....13, 19                  BELLOWS, INTAKE.....19                  BODY, CARBURETOR -- NOT AVAILABLE SEPARATELY.....7                  BODY, OIL PUMP.....15                  BOLT 5.....11, 19                  BOLT, FLANGE.....5                  BRACKET, CUSHION.....17                  BRACKET, HANDLE.....17                  BRACKET, MUFFLER.....5                  BRACKET, OIL PUMP.....15</p> <p><b>C</b></p> <p>CAP ASY.....17, 19                  CAP, CUSHION.....19                  CAP, MIXTURE LIMITER.....7                  CAP, SPARK PLUG.....9                  CARBURETOR -- HD-203.....7                  CARBURETOR -- HDA-203.....5                  CASE, CARBURETOR.....5                  CHAIN -- CARBICHAIN QUICKVENT.....11                  CHAIN BRAKE ASY.....11                  CIRCLIP.....7, 19                  CLIP.....15, 17                  CLUTCH ASY.....13                  CLUTCH SHOE ASY.....13                  CLUTCH SHOE SET.....13                  COIL, IGNITION.....9                  COLLAR 5.....11, 17, 19                  COLLAR 8.....11                  CONNECTOR, CAP.....17, 19                  CONNECTOR, BRAKE.....11                  CONNECTOR, PIPE.....15, 17                  COVER, BRAKE.....11                  COVER, ENGINE.....19                  COVER, FAN.....9                  COVER, FUEL PUMP.....7                  COVER, HANDLE.....17                  COVER, METERING DIAPHRAGM.....7                  COVER, MUFFLER.....5                  COVER, OIL PUMP.....15                  COVER, SEAL.....11                  COVER, VENT.....17                  CRANKCASE KIT.....19                  CRANKSHAFT ASY.....19                  CUSHION.....5, 19                  CUSHION 5.....17, 19                  CYLINDER.....19</p> <p><b>D</b></p> <p>DEFLECTOR, HEAT.....19                  DIAPHRAGM, FUEL PUMP.....7                  DIAPHRAGM, METERING.....7                  DIAPHRAGM/GASKET KIT.....7                  DOWEL PIN.....19</p>	<p>DRUM, CLUTCH.....13                  DRUM, STARTER.....9                  DUCT, AIR.....9</p> <p><b>E</b></p> <p>ELBOW, CARBURETOR.....5                  E-RING 3.....15</p> <p><b>F</b></p> <p>FAN, COOLING.....9                  FILTER, AIR.....5                  FILTER, FUEL.....17                  FILTER, OIL.....15                  FLYWHEEL.....9</p> <p><b>G</b></p> <p>GASKET, CRANKCASE.....19                  GASKET, CYLINDER.....19                  GASKET, FUEL PUMP.....7                  GASKET, METERING DIAPHRAGM.....7                  GASKET, MUFFLER.....5                  GEAR, BEVEL.....11                  GEAR, WORM.....15                  GRIP, HANDLE.....17                  GRIP, STARTER.....9                  GROMMET.....15                  GROMMET, CHOKE.....5                  GROMMET, FUEL.....17                  GROMMET, NEEDLE.....5                  GUARD, SPROCKET.....11                  GUIDE BAR - QUICKVENT.....11                  GUIDE, EXHAUST.....5                  GUIDE, ROPE.....9</p> <p><b>H</b></p> <p>HANDLE, FRONT.....17                  HOLDER, ELEMENT.....5                  HOLDER, THROTTLE LEVER.....5                  HUB, CLUTCH.....13</p> <p><b>I</b></p> <p>INSULATOR, INTAKE.....5</p> <p><b>K</b></p> <p>KNOB.....15</p> <p><b>L</b></p> <p>LABEL.....11                  LABEL - MODEL -- QV-670.....5                  LABEL, CAUTION.....19                  LABEL, ECHO.....9, 11                  LABEL, SWITCH.....5                  LATCH, AIR CLEANER LID.....5                  LEAD.....5                  LEVER, BRAKE.....11                  LEVER, CHOKE.....7                  LEVER, FAST IDLE.....7                  LEVER, METERING.....7                  LID, AIR CLEANER.....5                  LINK, RETAINER.....19                  LOCKNUT.....11                  LOCKOUT, THROTTLE CONTROL.....17                  LUG, GROUND.....5</p>	<p>L-WRENCH - 4mm.....11</p> <p><b>M</b></p> <p>MUFFLER.....5</p> <p><b>N</b></p> <p>NEEDLE - HIGH SPEED.....7                  NEEDLE - LOW SPEED.....7                  NIPPLE.....15                  NUT.....5                  NUT 3.....11                  NUT 8.....9                  NUT, FLANGE 8.....11</p> <p><b>O</b></p> <p>OIL PUMP ASY.....15                  OIL SEAL.....19                  O-RING.....15, 19                  O-RING 29.....17                  O-RING 3.....15                  O-RING 7.....15</p> <p><b>P</b></p> <p>PAWL, STARTER.....9                  PIN.....5                  PIN 3.5X26.....11                  PIN, METERING LEVER.....7                  PIN, PISTON.....19                  PIN, SPRING - 2X16.....15                  PIN, SPRING - 5X25.....17                  PIPE, FUEL - 3X6X110mm.....17                  PIPE, FUEL - SRIRAL.....17                  PIPE, IMPULSE.....5                  PIPE, OIL.....15                  PIPE, OIL - 3X6X125.....15                  PIPE, OIL - 3X6X200mm.....15                  PIPE, VENT.....17                  PISTON KIT.....19                  PISTON, OIL PUMP.....15                  PLATE, CLUTCH.....13                  PLATE, EYE.....19                  PLATE, GUIDE - INNER.....11                  PLATE, GUIDE - OUTER.....11                  PLATE, STARTER.....9                  PLUG.....17                  PLUG, COVER.....5                  PLUG, CUP.....7                  PLUG, WELCH.....7                  PLUG, FRICTION.....7</p> <p><b>R</b></p> <p>REAR HANDLE ASY.....17                  REPAIR KIT.....7                  RETAINER, BRAKE BAND.....9                  RETAINER, LINK.....17                  RING, PISTON.....19                  RING, RETAINING.....7                  RIVET.....17                  ROD, CHOKE.....5                  ROD, THROTTLE.....5                  ROLLER 4X8.8.....11                  ROPE, STARTER - 4mmX900mm.....9</p>
---	---	--



# Part Description Index (continued)

## S

SCREEN.....7  
 SCREEN, INLET.....7  
 SCREEN, MUFFLER.....5  
 SCREW.....7, 9, 11, 19  
 SCREW 3X18.....11  
 SCREW 3X6.....11  
 SCREW 3X8.....17, 19  
 SCREW 4X10.....5, 11, 15  
 SCREW 4X12.....11, 15  
 SCREW 4X14.....17  
 SCREW 4X20.....9  
 SCREW 4X6.....13  
 SCREW 4X8.....9, 11, 19  
 SCREW 5X14.....5, 9, 17, 19  
 SCREW 5X20.....5, 9, 15, 17, 19  
 SCREW 5X25.....17, 19  
 SCREW 5X30.....17  
 SCREW 5X35.....17, 19  
 SCREW 5X8.....17  
 SCREW KIT.....11  
 SCREW, CHOKE LEVER.....7  
 SCREW, CHOKE VALVE.....7  
 SCREW, IDLE ADJUST.....7  
 SCREW, METERING DIAPHRAGM COVER.....7  
 SCREW, METERING LEVER PIN.....7  
 SCREW, PUMP COVER.....7  
 SCREW, THROTTLE STOP.....7  
 SCREWDRIVER.....11  
 SHAFT, CHOKE.....7  
 SHAFT, THROTTLE.....7  
 SPACER.....11  
 SPACER 8.....11  
 SPACER, RATCHET.....9  
 SPARK PLUG -- BPM-7A.....9  
 SPARK PLUG -- BPMR-7A.....9  
 SPRING.....11, 15, 19  
 SPRING PIN 5X10.....19  
 SPRING, BRAKE.....11  
 SPRING, CHOKE RETURN.....7  
 SPRING, CLUTCH.....13  
 SPRING, COMPRESSION.....17  
 SPRING, FLAT.....5  
 SPRING, IDLE ADJUST.....7  
 SPRING, METERING LEVER.....7  
 SPRING, RETURN.....9  
 SPRING, REWIND.....9  
 SPRING, TENSION.....5  
 SPRING, THROTTLE RETURN.....7, 17  
 SPRING, VALVE.....15  
 SPROCKET, RIM.....13  
 STAND.....17  
 STARTER ASY.....9  
 STOP,THROTTLE.....7  
 STOPPER, BRAKE.....11  
 STUD, GUIDE BAR.....19  
 SWITCH,IGNITION.....5

## T

TENSIONER, CHAIN.....11  
 TERMINAL, SPARK PLUG CAP.....9  
 TRIGGER, THROTTLE.....17  
 TUBE.....9

## V

VALVE, BALL.....15  
 VALVE, CHECK.....19

VALVE, CHOKE.....7  
 VALVE, INLET NEEDLE.....7  
 VALVE, THROTTLE.....7  
 VENT ASY.....17

## W

WASHER.....7, 9  
 WASHER 12.....15  
 WASHER 5.....9, 15  
 WASHER 6.....17  
 WOODRUFF KEY.....19  
 WRENCH W/SCREWDRIVER.....11

## ***NOTES***



**ECHO, INCORPORATED**  
400 Oakwood Road  
Lake Zurich, IL 60047 USA

[WWW.ECHO-USA.COM](http://WWW.ECHO-USA.COM)

---



## Free Manuals Download Website

<http://myh66.com>

<http://usermanuals.us>

<http://www.somanuals.com>

<http://www.4manuals.cc>

<http://www.manual-lib.com>

<http://www.404manual.com>

<http://www.luxmanual.com>

<http://aubethermostatmanual.com>

Golf course search by state

<http://golfingnear.com>

Email search by domain

<http://emailbydomain.com>

Auto manuals search

<http://auto.somanuals.com>

TV manuals search

<http://tv.somanuals.com>