



SECONDARY FUEL RAIL
For B-Series Honda Performer X Intake Manifolds
Catalog #4779

INSTALLATION INSTRUCTIONS

PLEASE study these instructions carefully before beginning this installation. Most installations can be accomplished with common tools and procedures. However, you should be familiar with and comfortable working on your vehicle. If you do not feel comfortable performing this installation, it is recommended to have the installation completed by a qualified mechanic. If you have any questions, please call our **Technical Hotline at: 1-800-416-8628**, 7:00 am - 5:00 pm, Pacific Standard Time, Monday through Friday or e-mail us at Edelbrock@Edelbrock.com.

NOTE: Proper installation is the responsibility of the installer. Improper installation may result in poor performance and engine or vehicle damage.

PLEASE complete and mail your warranty card. Be sure to write the model number of this product in the "Part # ____" space. **THANK YOU.**

- **Description:** The Edelbrock Secondary Fuel Rail kit for the Performer X intake manifold allows the use of secondary fuel injectors on Performer X manifolds, 4771, 4774, and 4778, for turbocharged, alcohol-fueled, or nitrous oxide applications, where additional injectors are needed. Performer X manifolds must use PICO-style secondary fuel injectors.

Kit Contents:

- 1 Secondary fuel rail
- 2 1/4-20 x 1.25" bolts
- 2 1/4" AN washer
- 2 1/4" Star washer
- 2 3/8" NPT x -6 AN Adapter fittings

- **NOTE:** If the intake manifold is on the engine, it must be removed before attempting to install the Secondary Fuel Rail. Drilling of the injector bosses is required, and metal chips could get into the engine if intake manifold is not removed prior to drilling. Refer to your intake manifold installation instructions, or your factory service manual for proper removal procedure.
- **WARNING:** When working around gasoline or with any fuel system, always work in a well-ventilated area. Keep all sparks, open flames, or other sources of ignition away from the work area. Failure to do so could result in a fire or explosion causing vehicle or property damage, personal injury, and/or death.
- **INJECTORS:** Performer X intake manifolds require the use of a Pico-style fuel injector (See Fig. 1). See chart below for recommended Edelbrock fuel injectors. Select the size that is appropriate for your particular application.

FUEL INJECTOR	DESCRIPTION
#3574	19 lbs/hour @ 44 psi (185cc/min)
#3583	29 lbs/hour @ 44 psi (281cc/min)
#3635	35 lbs/hour @ 44 psi (340cc/min)
#3685	44 lbs/hour @ 44 psi (427cc/min)



Figure 1 - Pico-Style Fuel Injector

INSTALLATION PROCEDURE

1. Support and secure the intake manifold properly in a drill press or on a work bench to allow a straight drill path to the injector bosses (**See Fig. 2 for reference**).
2. Using a 7/16" drill bit, drill through the blind holes in the injector bosses.

Warning: Use caution as the drill may tend to kick back as it breaks through to the intake manifold runners.

Warning: Be careful not to damage the o-ring sealing surface when drilling the injector bosses.

4. Insert the appropriate injectors for your application into the intake manifold.
5. Press the fuel rail onto the injectors. Using a fuel system safe lubricant on the o-rings will help make this easier.
6. Bolt the fuel rail to the Performer-X intake manifold using the supplied 1/4-20x1-1/4" bolts and the supplied washers.
7. Apply a fuel system safe thread sealant to the threads of the 3/8"NPTx-6AN adapters and install them into the ends of the fuel rail.

Note: You may also use any adapter fitting with 3/8"NPT threads, if it is more suitable to your fuel system. Also, be sure to allow the sealant to cure completely before allowing fuel through the fuel rail. Fittings may also be installed before mounting fuel rail onto the intake manifold. Make sure to secure the fuel rail in a soft jaw bench vise.

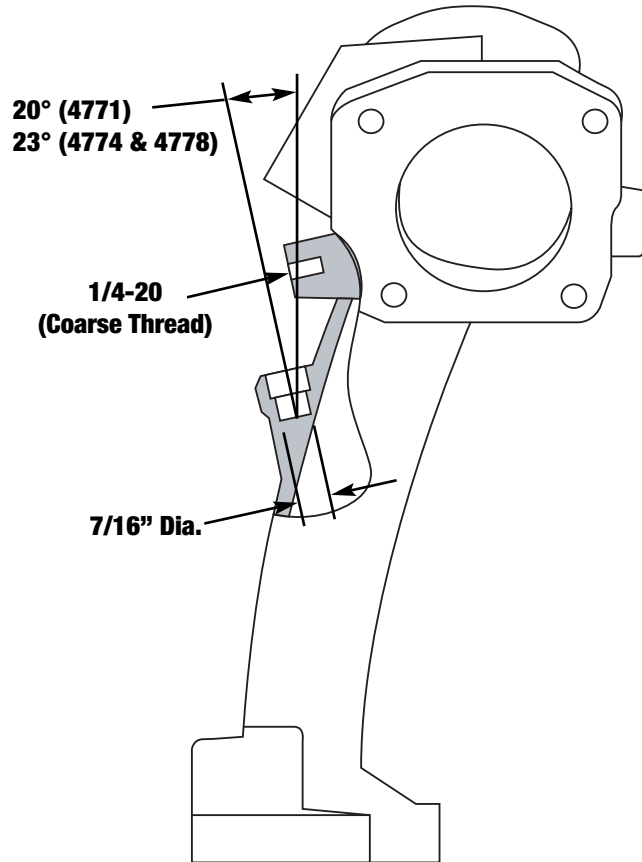


Fig. 2 - Reference Dimensions

Edelbrock Corporation • 2700 California St. • Torrance, CA 90503
Tech-Line: 800-416-8628 • E-Mail: Edelbrock@Edelbrock.com

Free Manuals Download Website

<http://myh66.com>

<http://usermanuals.us>

<http://www.somanuals.com>

<http://www.4manuals.cc>

<http://www.manual-lib.com>

<http://www.404manual.com>

<http://www.luxmanual.com>

<http://aubethermostatmanual.com>

Golf course search by state

<http://golfingnear.com>

Email search by domain

<http://emailbydomain.com>

Auto manuals search

<http://auto.somanuals.com>

TV manuals search

<http://tv.somanuals.com>