



Portable Air Conditioner



**Models:
AP14000HS & AP14000W**

Owner's Manual

For more information on other great EdgeStar products on the web, go to <http://www.edgestar.com>

Important Safety Information

Improper handling can cause serious damage to the appliance and/or to the user.

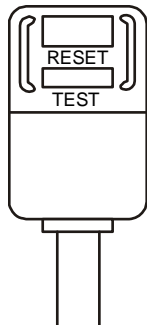
This portable air conditioner is not intended for use by children. Children should be supervised to ensure that they do not play with this product.

Electrical Safety

- This unit is designed for indoor use only.
- Do not use the unit in extremely humid or wet environments.
- Do not wet the housing or control panel.
- Do not pull the unit by the cord.
- Always turn the unit off and unplug it from the socket when cleaning.
- Unplug the unit if it is not going to be used for a long period of time.
- Do not operate the unit with a damaged plug or a loose socket.
- Use only the correct power supply with appropriate amperage.
- If the power cord is damaged, it must be replaced by the manufacturer, a service agent, or qualified technician.
- Do not remove any part of the casing unless instructed by an authorized technician.

General Safety

- This portable air conditioner is not intended to be used by children.
- Do not allow children to play with the controls or drop any objects into the air outlets or vents.
- Do not place objects or let any person sit on top of the unit.
- Only use in the upright position on a flat, level surface and provide at least 20 inches of clearance from any walls or objects.
- Route the power cord carefully to avoid a tripping hazard.
- This unit is intended for domestic use only. Do not use the portable air conditioner for industrial or commercial use. Any other use may invalidate the warranty.



Your portable air conditioner is supplied with a Leakage-Current Detection and Interruption (LCDI) safety plug. This device provides protection to reduce the risk of fire due to arcing faults in the power supply cord. Before using your portable air conditioner, follow the instructions below to ensure that the LCDI plug is working properly:

1. Plug the power cord to a grounded outlet.
2. Press the TEST button on the LCDI plug. This should trip the plug and cut the power to the air conditioner. If the plug does not trip and you are able to turn on the unit, please contact EdgeStar support.

DO NOT USE YOUR PORTABLE AIR CONDITIONER IF THE TEST FAILS.

Press the RESET button to start using your air conditioner.

Do not use the TEST and RESET buttons as an ON/OFF switch.

Electrical products should not be disposed of with household waste. Please contact your local recycling center for more information on how to recycle electronic waste.



Table of Contents

IMPORTANT SAFETY INFORMATION	1
INTRODUCTION	1
PARTS IDENTIFICATION	2
BACK VIEW.....	2
FRONT VIEW.....	2
INSTALLING THE CARBON FILTER	3
WINDOW KIT INSTALLATION INSTRUCTIONS	4
PREPARATIONS FOR INSTALLING THE WINDOW KIT.....	4
INSTALLING THE GRATED ADAPTER.....	5
INSTALLING THE WINDOW PLATES.....	6
ATTACHING THE DUCT CONNECTORS TO THE EXHAUST HOSE.....	7
CONNECTING THE DUCT CONNECTORS TO THE UNIT.....	8
CONNECTING THE DUCT CONNECTOR TO THE GRATED ADAPTER.....	8
CONTROL PANEL OVERVIEW	10
CONTROL PANEL LCD INDICATORS	10
USING THE CONTROL PANEL	11
POWER	11
<i>Auto-Restart:</i>	11
COOLING MODE.....	11
DEHUMIDIFYING MODE.....	11
HEAT MODE (HS MODEL ONLY).....	12
FAN ONLY MODE.....	12
SPEED.....	12
TIMER	12
<i>How to set the unit to automatically turn on</i>	12
<i>How to set the unit to automatically turn off</i>	12
WATER LIGHT.....	12
REMOTE CONTROL OVERVIEW	13
INSTALLING THE BATTERIES	13
REMOTE CONTROL LCD INDICATORS	14
OPERATING THE REMOTE CONTROL	15
POWER	15
COOLING MODE.....	15
DEHUMIDIFYING MODE.....	15
FAN ONLY MODE.....	16
HEAT MODE (HS MODEL ONLY).....	16
FAN SPEED.....	16
TIMER	17
ENERGY SAVING GUIDE	18
MAINTENANCE	19
CLEANING THE UNIT	19
CLEANING THE PRE-FILTER	19
PREPARATION FOR STORAGE	19
TROUBLESHOOTING	20
TROUBLESHOOTING CONTINUED	21
SPECIFICATIONS	22
EDGE STAR LIMITED WARRANTY	23

Introduction

Thank you for purchasing this EdgeStar portable air conditioner. We are glad you chose us. We believe that your purchase of this product opens a relationship between you and EdgeStar. We will provide the customer support needed to nurture that relationship.

This manual contains important information regarding the proper installation, use and maintenance of your portable air conditioner. Following this manual will ensure that your product will work at its peak performance and efficiency.

Please save the original product packaging in case you need to safely transport your portable air conditioner.

For Your Records:

Please write down the model number and serial number below for future reference. Both numbers are located on the ratings label on the back of your unit and are needed to obtain warranty service. You may also want to staple your receipt to this manual as it is the proof of your purchase, and is also needed for service under your warranty.

Model Number: _____

Serial Number: _____

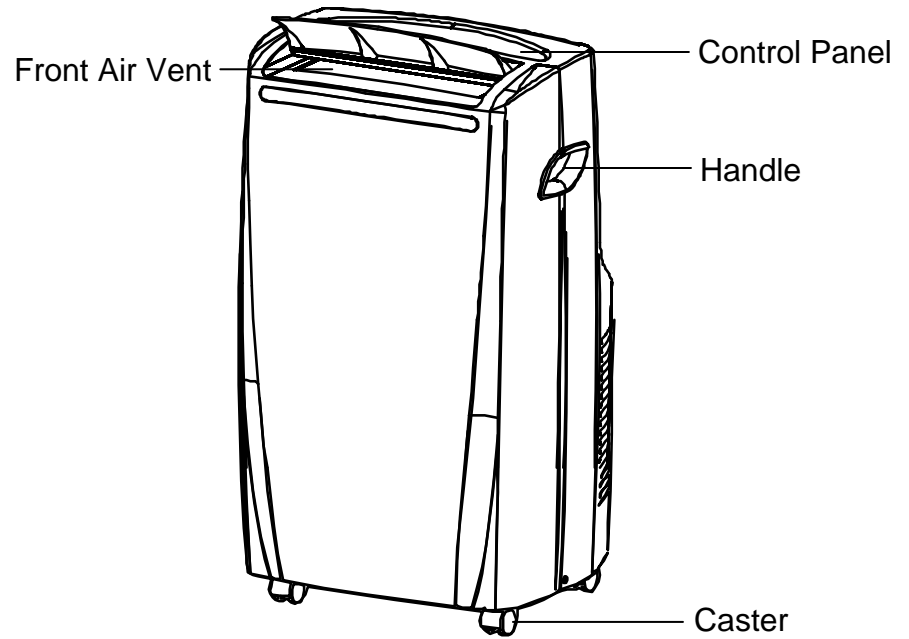
Date of Purchase: _____

To better serve you, please do the following before contacting customer service:

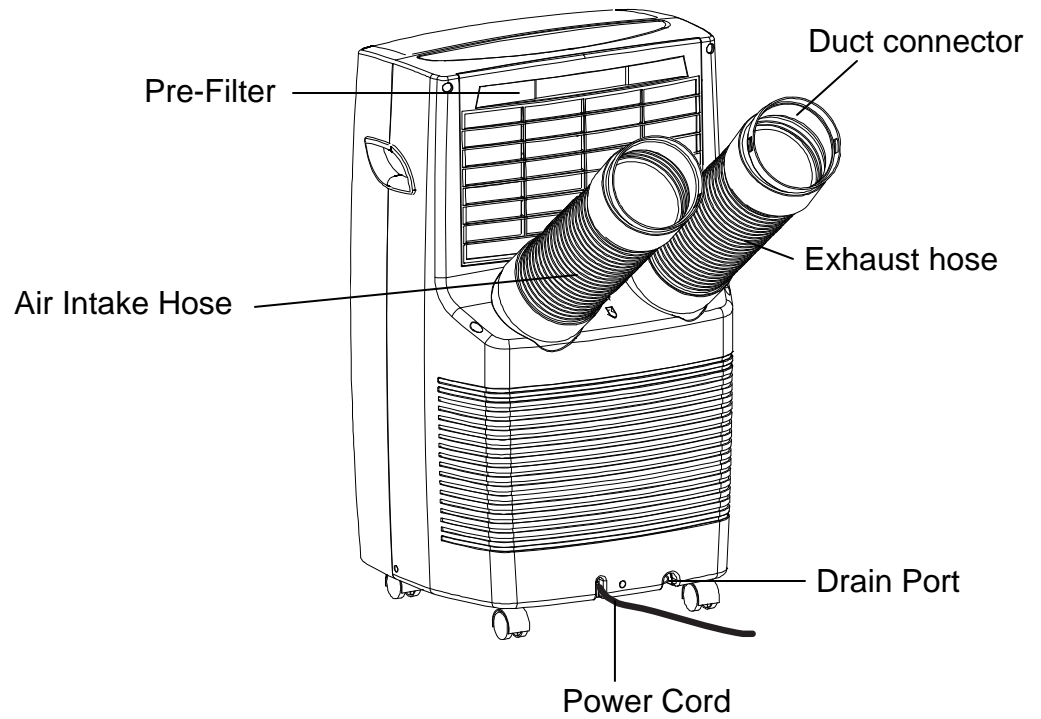
- If you received a damaged product, immediately contact the dealer that sold you the product.
- Read and follow this instruction manual carefully to help you install, use and maintain your portable air conditioner.
- Read the troubleshooting section of this manual as it will help you diagnose and solve common issues.
- Visit us on the web at <http://www.edgestar.com> to register your product, download product guides, additional troubleshooting resources and up-to-date information.
- If you need warranty service, our friendly customer service representatives are available via email at service@edgestar.com or by telephone at **1 (866) 319-5473**.

Parts Identification

Front View

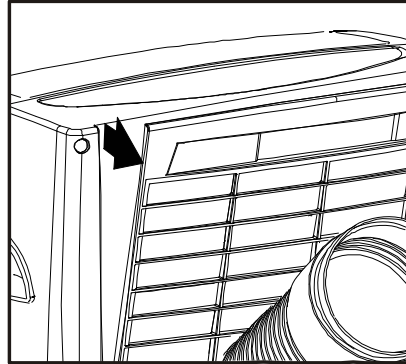


Back View



Installing the Carbon Filter

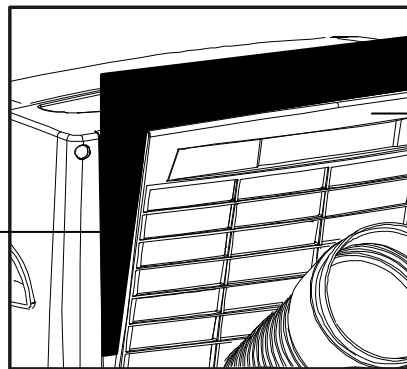
Your portable air conditioner ships with a pre-filter and an activated carbon filter. The carbon filter will help remove contaminants and odors from the air. It is recommended you replace the carbon filter every two to three months, or as needed. It is necessary to clean the pre-filter periodically. Follow the steps below to install the carbon filter:



1. Shut off the unit. Pull the pre-filter towards the hose.

CAUTION: Never operate the air conditioner without the pre-filter attached.

Activated carbon filter

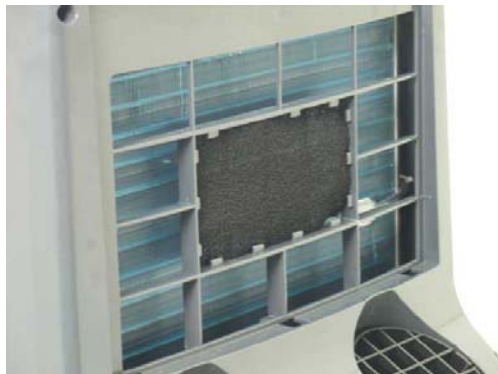


Pre-filter

2. Insert the activated carbon filter between the pre-filter and the unit.

3. Reinstall the pre-filter.

Note: The size of the carbon filter may vary as shown below.



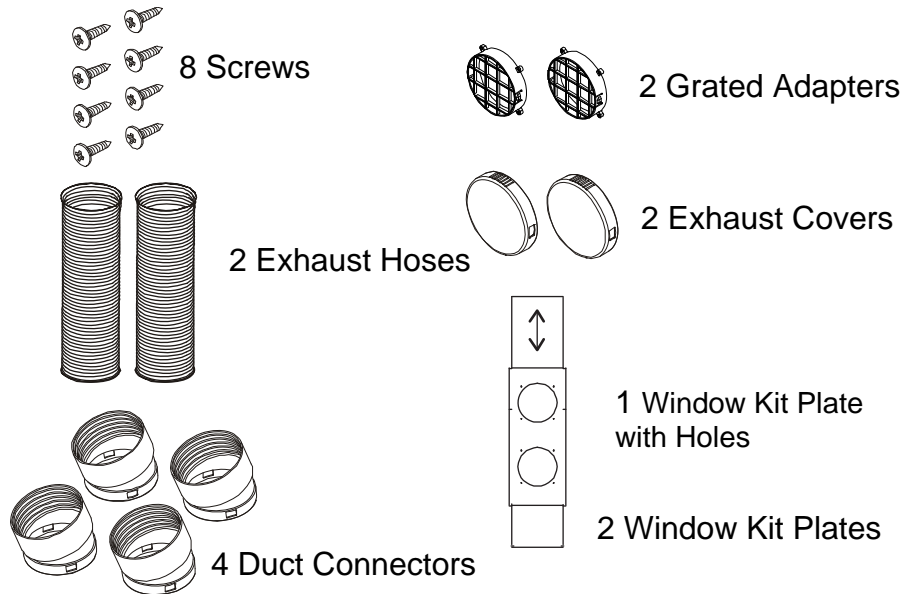
Window Kit Installation Instructions

Preparations for installing the window kit

You must vent your portable air conditioner when running in it cooling mode and heating mode (HS model). Your unit includes a window exhaust kit that can be used to vent the unit out a window.

Before you begin, make sure you have all the parts necessary for installation.

Window Kit Parts List:

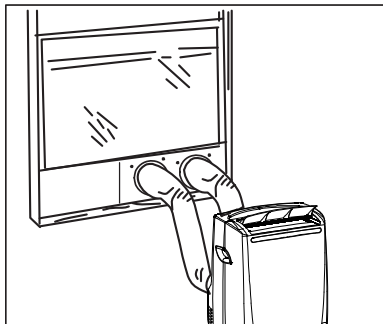


NOTE: Exhaust Covers may be attached to the Grated Adapters. You may need to twist and pull apart to separate them.

NOTE: You may need to contact your electrician if your room's circuit is not able to power your unit.

If you have multiple windows, choose one that is near an electrical outlet that will be able to provide sufficient power to your unit. See the power requirements listed on the product label printed on the side, or on the back of your portable air conditioner.

Your window kit can be installed on a horizontal or vertical sliding window as shown in the following pictures:

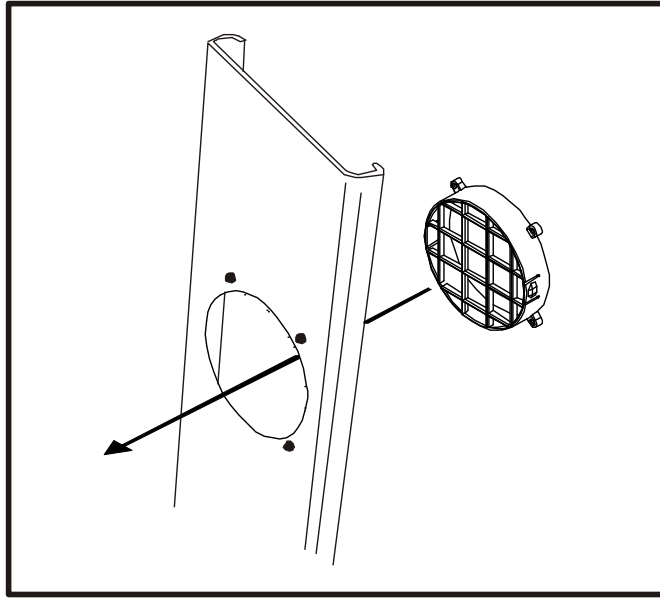


Follow the instructions on the next pages to install the window kit.

Note: This unit can be used with one or two vent hoses. The exhaust hose should always be used in cooling and heating (HS model) mode. The air intake hose can be used to increase the cooling efficiency of the unit. If the air intake hose is not used, simply cover one of the grated adapters on the window kit with a vent cap.

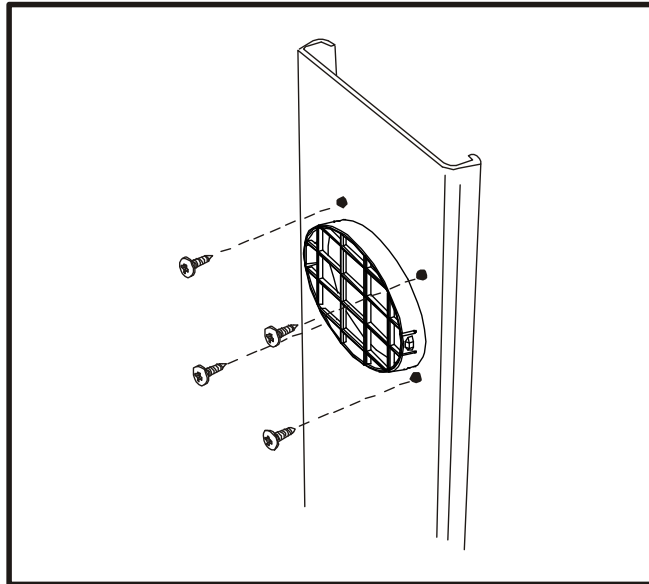
Installing the grated adapter

1



1. Insert the round grated adapters through the back grooved side of the window kit plate with holes.

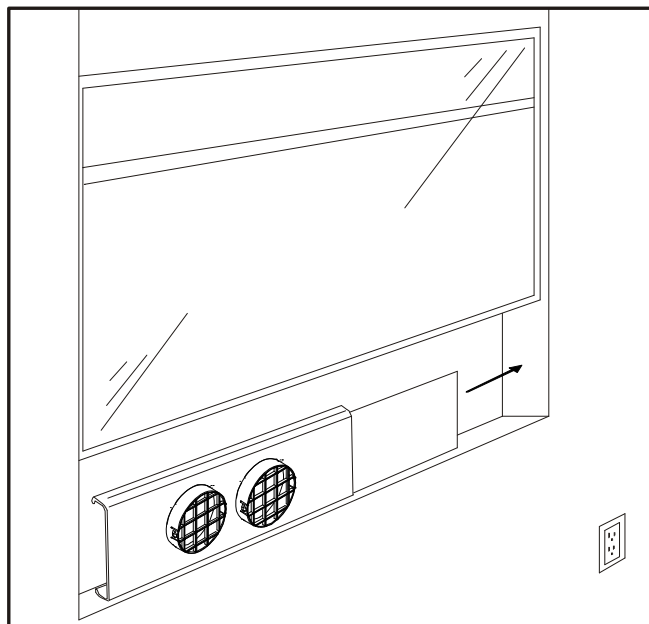
2



2. Secure the grated adapters by fastening the screws from flat side of the window kit plate to the holes on the grated adapter.

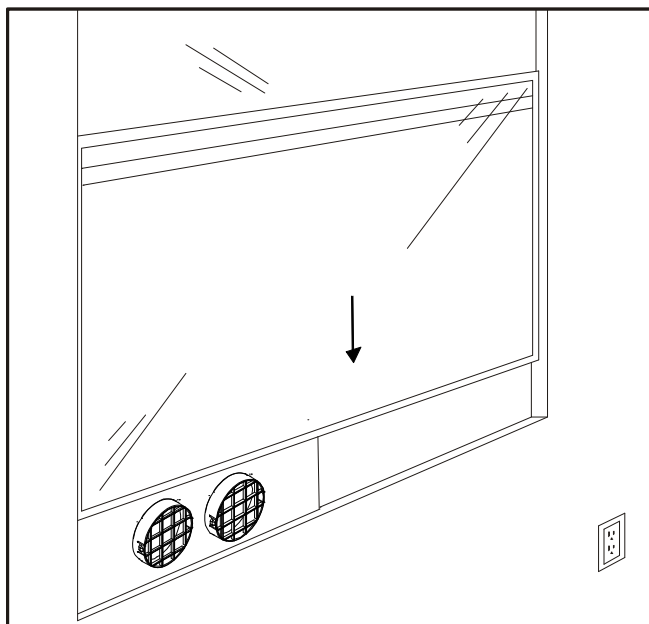
Installing the window plates

3



3. Open your window and place the window kit with grooved side facing outward on the window sill. Then, slide the window kit plates to fit the width of the window. You can use screws to secure the window kit plates from sliding.

4

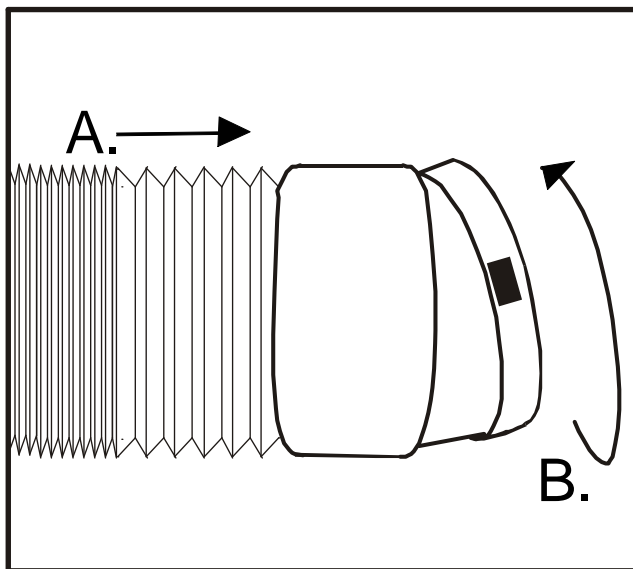


4. Lower the window to secure the window kit in place. You may need to use duct tape to better secure the window kit.

CAUTION: Secure your window by using window locks. Please contact your EdgeStar retailer to purchase window locks.

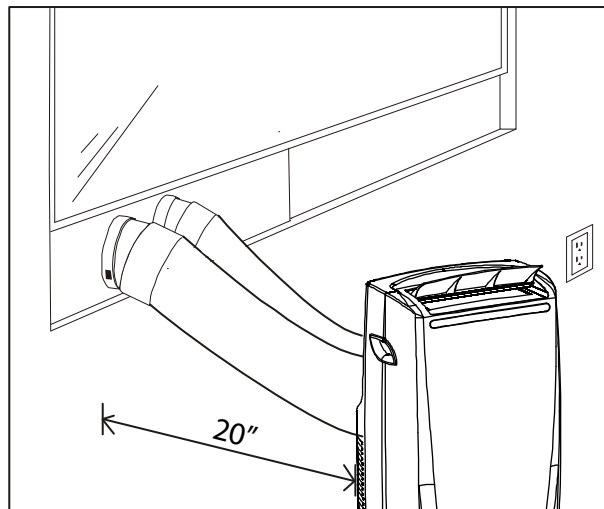
Attaching the duct connectors to the exhaust hose

⑤



5. Attach the connectors to the hose:
A. Extend the ends of the exhaust hose
B. Thread the duct connector on by turning it clockwise until it stops.

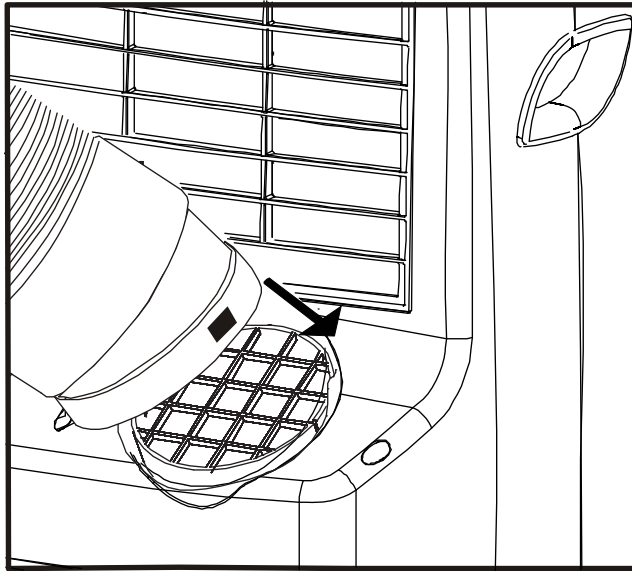
⑥



6. Roll the unit towards the window kit. Leave a space that is at least 20 inches to the wall.

Connecting the duct connectors to the unit

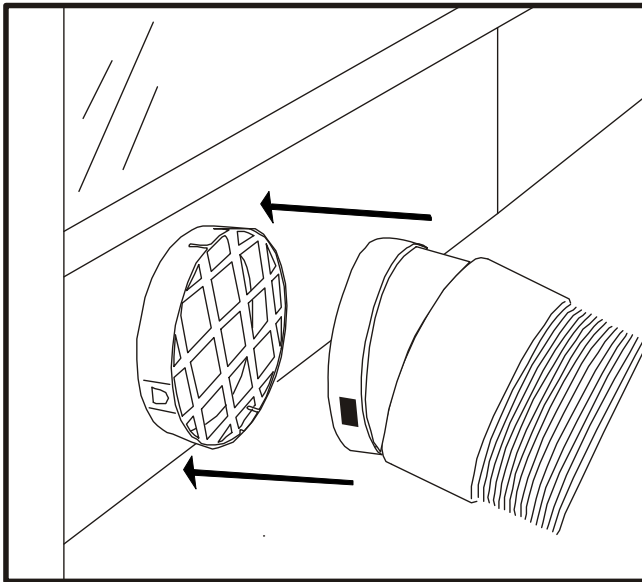
7



7. Align the slots on the duct connector to the tabs and snap into the back of the unit.

Connecting the duct connector to the grated adapter

8



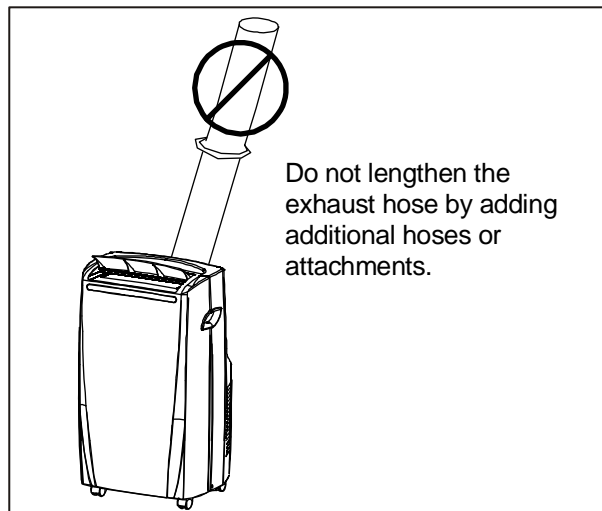
8. Align the slots on the duct connector to the tabs on the grated adapter and snap in place.

After you have installed the exhaust hose and window kit, you can plug in your portable air conditioner and start using it.

Notes about the Exhaust hose

Your portable air conditioner is designed to exhaust condensate water that is collected from the air. This water, in either gaseous or droplet form, will be expelled out the exhaust port of the unit. Please take this into account when deciding how to vent it.

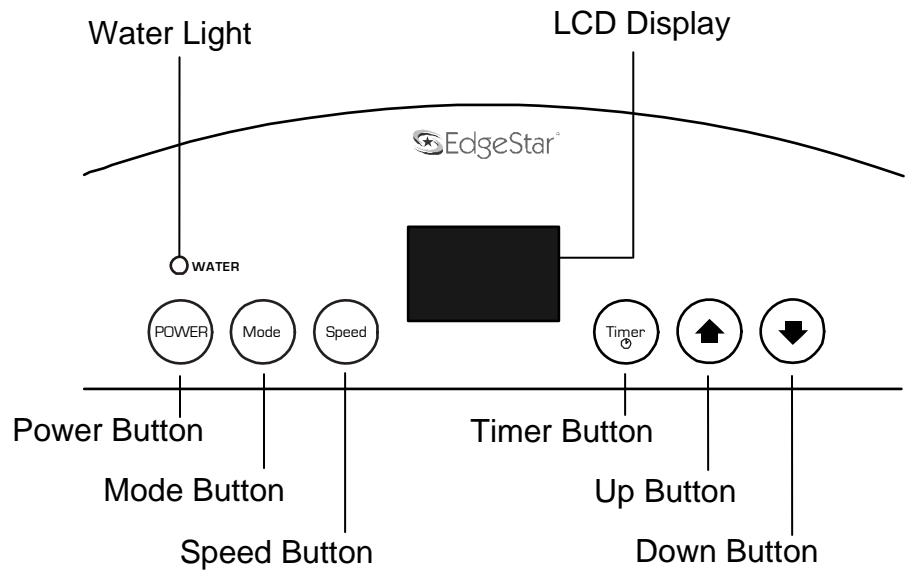
1. The exhaust hose supplied with the portable air conditioner can be extended up to 48 inches; however for maximum efficiency, use the shortest length possible.
2. Try to prevent any kinks or bends in the exhaust hose. Kinks or bends may trap exhaust air which can radiate heat into the room or potentially cause the portable air conditioner to overheat and shut itself off.



3. The exhaust hose supplied with the portable air conditioner has been specifically designed for this air conditioner. Do not lengthen the hose by adding additional hoses or attachments or replace it with any other hose.

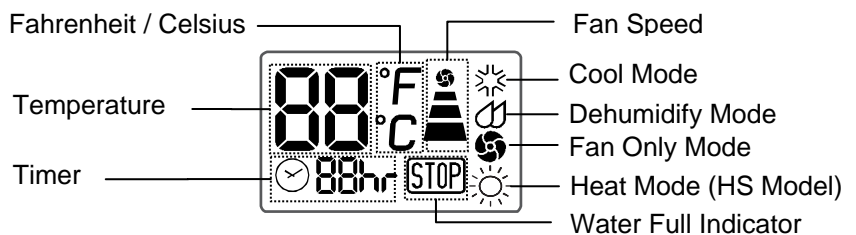
Warning: Longer hoses are not recommended.

Control Panel Overview



	Function
Power	Powers the unit on or off.
Mode	Changes between cool, dehumidify, fan, and heat (HS model) modes.
Speed	Sets the fan speed.
Timer ⌚	Used to enable the timer.
↑ (Up)	Increases the set temperature or timer hours.
↓ (Down)	Decreases the set temperature or timer hours.
Water Light	The water light will turn on if the unit has filled the internal water reservoir.

Control Panel LCD Indicators



Indicator	Function
F/C	Shows if the set temperature is in Fahrenheit or Celsius.
Temperature	Displays the set or ambient temperature.
Timer ⌚	Appears when the timer is enabled.
Fan Speed	Shows the set fan speed.
Modes	Shows the set mode between, ❄️ Cooling, 💧 Dehumidify, 🌀 Fan Only, or ☀️ Heat (HS model only).
STOP	Appears when the water reservoir is full.

Using the Control Panel

Power

Use the Power button to turn the portable air conditioner on and off.

By default when you first use the power button, the unit should begin to operate in cooling mode. The unit will remember the last used mode/settings if you shut down and restart.


Auto-Restart: If power to the unit is interrupted, the air conditioner will restart itself in its last used mode/settings once power is restored. The compressor will restart after 3 minutes.




Cooling Mode

Cooling mode cools and dehumidifies the air. If the ambient temperature drops below the temperature you selected, the compressor turns off and the unit functions with the fan only. When the temperature rises above the temperature you selected, the compressor turns on again.

Whether your desired temperature can actually be reached depends on the ambient conditions. The room temperature remaining above the set temperature is normal.

To operate the unit in cooling mode:

- 1) Make sure the power cord is plugged into a power outlet.
- 2) Press the Power button.
- 3) Press the Mode button until the  Cooling indicator is selected.
- 4) Select the fan speed by using the Speed button.

You can choose between  Low,  Medium and  High fan speeds.


- 5) Set the thermostat by using the Up and Down buttons. The thermostat is adjustable between 61°F - 89°F in one degree increments.

NOTE: The exhaust hose must be used in Cooling mode in order to cool a room.

Dehumidifying Mode

During the Dehumidifying mode, the unit will condense water out of the air and exhaust it through the exhaust hose. In high humidity conditions, you may need to manually drain the unit. The ambient temperature in the room will probably drop by a few degrees while using the Dehumidifying mode.

To operate the unit in dehumidifying mode:


- 1) Make sure the power cord is plugged into a power outlet.
- 2) Press the Power button.
- 3) Press the Mode button until the  Dehumidify indicator is selected.

NOTES: If the room temperature is below 77°F, the fan will always run on low speed while in the Dehumidifying mode. If you do not use the exhaust hose in Dehumidifying mode, you must manually drain the water from the unit. Additionally, the ambient temperature in the room will probably rise by a few degrees if you do not use the exhaust hose. You will not be able to change the thermostat temperature while in Dehumidifying Mode.

Heat Mode (HS Model Only)

The AP14000HS portable air conditioner can work as a heat pump. It must be vented for it to expel the cold air out the exhaust.

To operate the unit in heat mode:


- 1) Make sure the power cord is plugged into a power outlet.
- 2) Press the Power button.
- 3) Press the Mode button until the  Heat indicator is selected.
- 4) Adjust the fan speed and temperature to your desired setting. The thermostat is adjustable between 61°F - 80°F in one degree increments.




Note: The room temperature remaining below the set temperature is normal. Whether your desired temperature can actually be reached depends on the ambient conditions

Fan Only Mode

Fan Only mode is used to circulate the air in your room. No temperature setting is needed.

To operate the unit in Fan Only mode:

- 1) Make sure the power cord is plugged into a power outlet.
- 2) Press the Power button.
- 3) Press the Mode button until the  Fan Only indicator is selected.
- 4) Press the Speed button to select the fan speed.



You can choose between  Low,  Medium and  High fan speeds.

NOTE: Fan Only mode does not require that the exhaust hose be attached.

Speed

The Speed button is used to change the fan speed while in Cooling and Fan Only modes.

Press the Speed button to select the fan speed.

You can choose between  Low,  Medium and  High fan speeds.

Timer

The timer can be used to either turn the unit on or off after a number of elapsed hours. The timer is adjustable between 1-24 hours in one hour increments.

How to set the unit to automatically turn on:


- 1) Press the Timer button while the unit is powered off. The Timer indicator will appear on the LCD.
- 2) Use the Up and Down buttons to set the time (displayed in hours) you wish to pass before the unit turns on. After the selected time passes, the unit will automatically turn on.

How to set the unit to automatically turn off:

- 1) Press the Timer button while the unit is powered on. The Timer indicator will appear on the LCD.
- 2) Use the Up and Down buttons to set the time (displayed in hours) you wish to pass before the unit turns off. The unit will automatically turn off after the selected time elapses.

NOTE: To cancel the timer, press the Timer button or Power button.

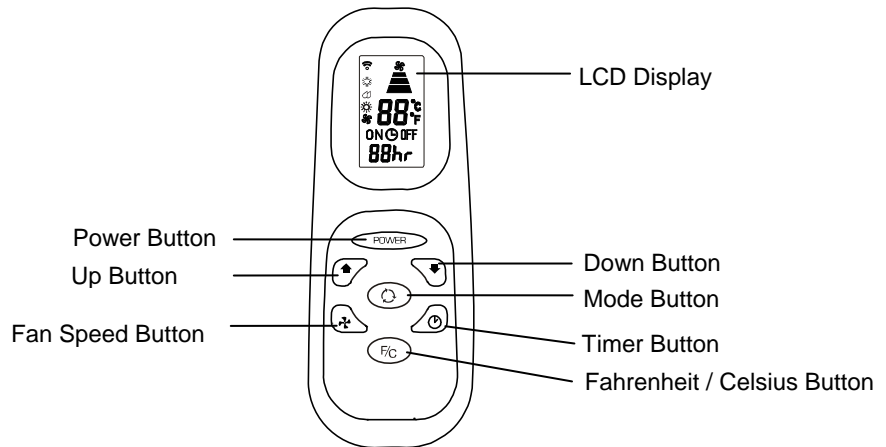
Water Light

In high humidity situations, the internal water reservoir may fill. The unit will automatically shut off and the water light will turn on. The  Stop Indicator will appear on the LCD. Once the water is manually drained, the unit will operate normally.

Remote Control Overview

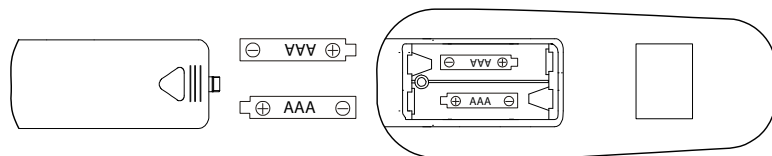
The remote control can be used instead of the control panel to remotely operate your portable air conditioner. The remote's functions are the same as on the control panel.

NOTES: Be careful not drop the remote control. Do not place the remote control in a location exposed to direct sunlight.



Button	Function
POWER Power	Powers the unit on or off.
(Up)	Increases the Temperature Timer, or Clock settings.
(Down)	Decreases the Temperature, Timer, or Clock settings.
Mode	Sets the mode: Cool, Dehumidify, Fan Only, or Heat (HS model) will appear on the LCD.
Fan Speed	Sets the fan speed. The High, Medium or Low indicator will appear on the LCD depending on the mode you set.
Timer	Used to enable the timer.
F/C	Switches the temperature between Fahrenheit and Celsius.

Installing the batteries

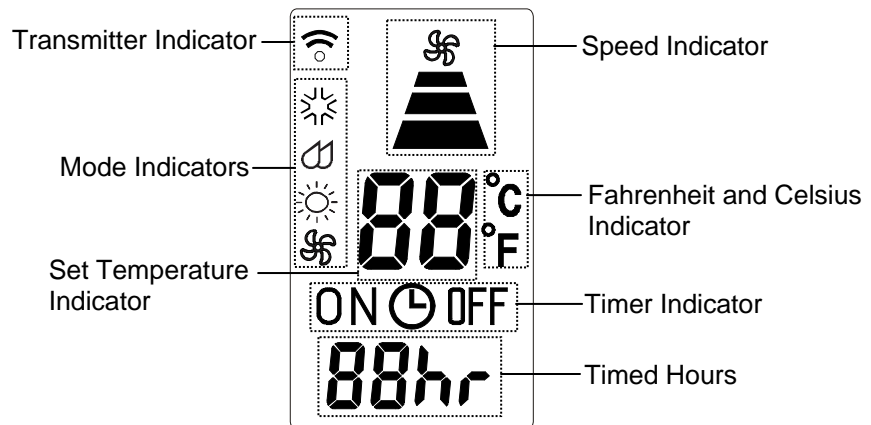









- 1) Remove the cover on the back of the remote control.
- 2) Insert the batteries with the (+) and (-) ends pointing in the correct direction.
- 3) Slide the cover back on.





CAUTION: Use only AAA batteries. Remove the batteries if the remote control will not be used for one month or longer. Do not attempt to recharge batteries not designed to be recharged. All batteries should be replaced at the same time. Do not mix old and new batteries. Do not dispose of batteries in a fire as they may explode.

Remote Control LCD Indicators

NOTE: If you used the control panel to set up the unit, the remote control will not automatically update the information shown on the remote control's LCD.




Indicators	
Transmitter	Appears when the remote control is signaling the unit.
Fan Speed	Shows the set fan speed.  Low,  Medium, and  High indicator will appear depending on the mode you set.
Mode	Shows the set mode. The  Cool,  Dehumidify,  Heat (HS model), or  Fan indicator will appear depending on the mode you set.
Set Temperature	Shows the set temperature.
Fahrenheit and Celsius	Shows if the set temperature is in Fahrenheit or Celsius.
Timer	Appears if the On Timer or Off Timer is enabled.
Timed Hours	Shows the number of timed hours when the Timer is enabled.

Mode Indicator	Function
 Cooling	The unit will cool and dehumidify.
 Dehumidify	The unit will remove moisture from the air.
 Heat (HS model)	The unit will run as a heat pump. (HS model)
 Fan Only	The unit will run as a fan and circulate air.

Operating the Remote Control

Power

Use the  Power button to turn the portable air conditioner on and off.

By default when you first use the power button, the unit will begin to operate in cooling mode. The unit will remember the last used mode/settings if you shut down and restart.








Auto-Restart: If power to the unit is interrupted, the air conditioner will restart itself in its last used mode/settings once power is restored. The compressor will restart after 3 minutes.

Cooling Mode

Cooling mode cools and dehumidifies the air. If the ambient temperature drops below the temperature you selected, the compressor turns off and the unit functions with the fan only. When the temperature rises above the temperature you selected, the compressor turns on again.

Whether your desired temperature can actually be reached depends on the ambient conditions. The room temperature remaining above the set temperature is normal.

To operate the unit in cooling mode:




- 1) Make sure the power cord is plugged into a power outlet.
- 2) Press the  Power button on the remote control.
- 3) Press the  Mode button until the  cooling indicator is selected.
- 4) Select the fan speed by using the  Speed button.
- 5) Change the set temperature by using the  Up and  Down buttons. The temperature is adjustable between 61°F - 89°F in one degree increments. You can switch between Fahrenheit and Celsius by pressing the  button.

NOTE: The exhaust hose must be used in Cooling mode in order to cool a room.

Dehumidifying Mode

During the Dehumidifying mode, the unit will condense water out of the air and exhaust it through the exhaust hose. In high humidity conditions, you may need to manually drain the unit. The ambient temperature in the room will probably drop by a few degrees while using the Dehumidifying mode.

To operate the unit in dehumidifying mode:





- 1) Make sure the power cord is plugged into a power outlet.
- 2) Press the  Power button on the remote control.
- 3) Press the  Mode button until the  dehumidify indicator is selected.




NOTES: If the room temperature is below 77°F, the fan will always run on low speed while in the Dehumidifying mode. If you do not use the exhaust hose in Dehumidifying mode, you must manually drain the water from the unit. Additionally, the ambient temperature in the room will probably rise by a few degrees if you do not use the exhaust hose. You will not be able to change the thermostat temperature while in Dehumidifying Mode.

Fan Only Mode

Fan Only mode is used to circulate the air in your room. No temperature setting is needed.

To operate the unit in Fan Only mode:

- 1) Make sure the power cord is plugged into a power outlet.
- 2) Press the  Power button on the remote control.
- 3) Press the  Mode button until the  Fan Only indicator is selected.
- 4) Press the  Speed button to select the fan speed.








You can choose between  Low,  Medium and  High speed.

NOTE: Fan Only mode does not require that the exhaust hose be attached.

Heat Mode (HS Model Only)


The AP14000HS model portable air conditioner can work as a heat pump. It must be vented for it to expel the cold air out the exhaust.

To operate the unit in heat mode:




- 1) Make sure the power cord is plugged into a power outlet.
- 2) Press the  Power button on the remote control.
- 3) Press the  Mode button until the  Heat indicator is selected.
- 4) Select the fan speed by using the  Speed button.
- 5) Change the set temperature by using the  Up and  Down buttons. The temperature is adjustable between 61°F - 80°F in one degree increments. You can switch between Fahrenheit and Celsius by pressing the  button.

NOTE: The exhaust hose must be used in Heating Mode

Fan Speed

The  Fan Speed button is used to change the fan speed while in Cooling, Fan Only and Heating (HS Model only) modes.

Press the  Fan Speed button to select the fan speed.


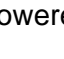


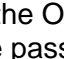
You can choose between  Low,  Medium and  High speed.

Note: Although the remote control will allow you to set the fan speed in Dehumidify mode, the unit will not actually change the fan speed.


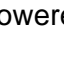


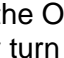
Timer



The timer can be used to either turn the unit on or off after a number of elapsed hours. The timer is adjustable between 1-24 hours in one hour increments.

How to set the unit to automatically turn on:

- 1) Press the  Timer button while the portable air conditioner and remote are powered off. The On Timer [On ] indicator will be blinking.
- 2) Use the  Up and  Down buttons to set the number of hours you want to pass before the unit turns on.
- 3) Wait until the On Timer [On ] indicator stops blinking. After the selected time passes, the unit will automatically turn on.

How to set the unit to automatically turn off:

- 1) Press the  Timer button while the portable air conditioner and remote are powered on. The Off Timer [ Off] indicator will be blinking.
- 2) Use the  Up and  Down buttons to set the number of hours you want to pass before the unit turns off.
- 3) Wait until the Off Timer [ Off] indicator stops blinking. The unit will automatically turn off after the selected time passes.

NOTE: To cancel the timer, press the  Timer button twice, or press the  POWER button once.

Draining the Unit

When the portable air conditioner is in cooling mode or dehumidify mode, it will remove moisture from the air. The condensed water from the air will be collected in an internal reservoir and will be evaporated and exhausted out of the exhaust hose. However, in very humid conditions, the internal reservoir may fill completely. This causes the air conditioner to turn off to avoid overflowing the internal reservoir. The **STOP** indicator will appear on the Control Panel LCD.

Direct drainage option

You can attach a drain hose to the drain port for continuous drainage.

1. Remove the rubber drain plug from the drain port.
2. Connect a drain hose to the drain port.

The portable air conditioner will now drain through the drain hose. Please note that this unit has no drain pump; all water will drain with gravity only, i.e., only “downhill.”

Energy Saving Guide

Read and follow the guide below to get the best performance and efficiency from your portable air conditioner:

- Do not cover the air outlet (exhaust) while in use.
- Do not place the unit in front of curtains or drapes- to ensure they do not obstruct the air intake.
- Minimize the length of the exhaust hose, but allow at least 20 inches of space on sides and back of the unit.
- Make sure the exhaust hose is as straight as possible and avoid kinks or bends.
- Keep curtains, blinds or drapes closed during the sunniest part of the day.
- Use the timer to operate the unit before it is needed. For example, set the timer to turn on the unit in cooling mode for 3 or more hours to cool the room before you arrive. You may want to operate the unit all day if you live in a warmer climate.
- Minimize the heat sources (direct sunlight, computers, servers, people, etc.) in the room.
- Close all windows and doors.
- Use the unit in a contained room. For example, a room with four walls and a ceiling, instead of a partitioned studio, or warehouse.
- Make sure the unit is on a level surface.
- Minimize the amount of humidity in the room. For example, run the unit as a dehumidifier.
- To prolong the compressor's life, please wait at least 3 minutes before turning the unit back on after shutting it off.
- Inspect and keep the pre-filters clean by cleaning regularly.
- Inspect and replace the activated carbon filters regularly.
- Perform routine maintenance.

Maintenance

Clean the air conditioner and filters regularly to maximize performance and efficiency, and prolong the unit's life. Be sure to always unplug the air conditioner from the power outlet before cleaning.

Cleaning the unit

Use a soft dry cloth to wipe the body clean. If necessary, use lukewarm water to dampen a cloth to clean the unit. Use a soft bristle brush to clean between the vents. Carefully use a vacuum cleaner to clean the condenser coils

Never use abrasive chemicals, volatile substances, gasoline, detergents, chemically treated cloths, or other cleaning solvents that may damage the cabinet exterior.

Never spray water directly on the unit.

Cleaning the pre-filter

To clean the pre-filter, follow the steps below:

- 1) Power off the unit and remove the pre-filter.
- 2) Remove the activated carbon filter.
- 3) Use a vacuum cleaner or tap the filter lightly to remove loose dust and dirt, then rinse thoroughly under lukewarm running water (below 104°F). You may use a mild soap and water solution if needed. Allow the pre-filter to air dry in a cool and shaded place. Dry thoroughly before reinstalling.

NOTE: The activated carbon filter is not washable. You should replace it every 2-3 months or as needed. Contact EdgeStar retailers for replacement filters.

Clean the pre-filter periodically. If the unit is used in a dusty environment you may need to clean it on a weekly basis.

Warning: Never operate the unit without the filters.

Preparation for Storage

If you are not going to be using the unit for an extended period of time, follow the instructions below before storing your unit:

- 1) Drain all the water from the unit's reservoir. Operate the unit in fan mode for a few hours to thoroughly dry any moisture left on the coils inside the unit.
- 2) Power off the unit, and clean or change the filters.
- 3) Unplug and carefully wind the power cord.
- 4) Remove the exhaust hose and duct connectors and keep them in a safe place.

If the unit will be stored in a garage, storage container, or warehouse, place it in a sturdy box with plenty of packing material.

Caution: Do not transport or store the unit on its side or upside down.

Troubleshooting

Follow the troubleshooting guide below to resolve common issues.

Issue	Possible Cause	Solution
My air conditioner is not functioning at all	Unit is not receiving power	Make sure the unit is plugged in
	LCDI power cord is tripped	Press the Reset button on the LCDI cord
	Insufficient power	Move the unit to another outlet. Check your circuit breaker. (Refer to the rating label on the back of the unit to determine the Amperage draw)
	Water reservoir is full	Drain the unit and restart
	Control panel is disconnected	If no indicator lights turn on, contact customer service
My remote control does not work and the indicator symbols on the remote do not appear	Batteries not installed	Install new batteries
	Bad batteries	Replace the batteries
	Batteries installed incorrectly	Reinstall the batteries correctly
	A defective remote control	Contact customer service
My air conditioner is making a loud noise	The unit is not level.	Make sure the unit is on a level surface
	A foreign object has jammed the fan.	Remove the object from the fan
	The floor below the unit is uneven	Move the unit to a level surface
My air conditioner is making a continuous metallic knocking or pinging sound	Unit may have been shipped on its side	Shut off the unit. Let the unit sit on a level surface for at least 24 hours and restart.
	Damaged compressor	Contact customer service
My air conditioner is leaking	Drain plug is removed	Attach the drain plug
	Cracked base pan	Contact customer service
My air conditioner runs for a little while and then it trips the power cord or the circuit breaker	The air conditioner may be plugged into an outlet that can not supply the correct amount of current	Contact an electrician if the unit works in a different room or circuit
The control panel Water light is on and the unit stopped running.	Your water reservoir is full.	Drain your unit.

Troubleshooting continued

Issue	Possible Cause	Solution
My air conditioner is not cooling at all	Unit is not operating in cooling mode	Set the unit to be in cooling mode, and lower the set temperature (pg. 11)
	The compressor is not on	The compressor may take up to 3 minutes to turn on, or longer if it is too warm
	The ambient temperature is too high	Lower the room temperature to be below 90°F degrees
	The filter may be dusty or blocked	Clean the filters. (pg. 19)
	Blocked exhaust port	Remove any obstructions in the exhaust hose and port
My air conditioner blows cold air, but does not lower the room temperature	The unit is not vented	The unit must be vented. (pg. 4)
	The area of the room is too large	Minimize the size of the area to be cooled, i.e. adding a drop ceiling. Use more than one unit to cool the area, or use a larger unit
	Open windows and doors	Close any open doors and windows
	Too many heat sources	Remove or shut off additional heat sources such as radio equipment, servers, etc.
	The room/garage may be inadequately insulated	Properly insulate the room to be cooled, i.e. using fiberglass
	The ambient temperature is too high	The unit may not work if the room temperature is above 90°F
	Direct sunlight is heating the room	Close curtains or pull down blinds, and minimize the direct sunlight into the room
	The filter may be dusty or blocked	Clean the filter and replace it if needed
	Dirty condenser coils	Carefully vacuum the coils clean
	Obstructed air intake or exhaust ports	Remove anything blocking the ports

NOTE: If the ambient temperature is above 90°F the unit may not blow cold air.

TIP: Run the unit before it is needed. For example, run the unit in the morning before the area gets hot, and continue to run the unit all day long in order to maintain a low temperature.

Specifications

Description of product	Portable Air Conditioner
Model	AP14000HS
Voltage/Frequency	115V/60Hz
Input Power	1200W Cooling 1000W Heating (HS Model)
Current	10.5A Cooling 8.5A Heating (HS Model)
Color	Silver
Coolant	R22
Timer	24 Hour
Dimensions H x W x D	32.7" x 20.1" x 16.75"
Weight	75 lbs

Description of product	Portable Air Conditioner
Model	AP14000W
Voltage/Frequency	115V/60Hz
Input Power	1200W
Current	10.5A Cooling
Color	White
Coolant	R22
Timer	24 Hour
Dimensions H x W x D	32.7" x 20.1" x 16.75"
Weight	75 lbs

EdgeStar Limited Warranty

One (1) Year Parts & Ninety (90) Days Labor

This product is warranted by EdgeStar to be free from defective workmanship and materials, subject to any conditions set forth as follows:

WHAT IS COVERED:

LABOR: For a period of NINETY (90) DAYS from the date of original purchase, labor will be performed free of charge at an authorized EdgeStar repair facility. At its option, EdgeStar will repair the product with new or remanufactured parts, or exchange the defective product with a new, refurbished, or remanufactured product. If a product is replaced, it will carry the remaining warranty of the original product. After the ninety (90) day period, EdgeStar will no longer be responsible for labor charges incurred. All defective products and parts covered by this warranty will be repaired or replaced on a mail-in basis to an EdgeStar authorized repair facility.

PARTS: For a period of ONE (1) YEAR from the date of original purchase, EdgeStar will supply new, rebuilt, or refurbished parts free of charge. EdgeStar may request a defective part be returned in exchange for the replacement part. All replacement parts or products will be new, remanufactured, or refurbished. All products and parts replaced by EdgeStar under warranty service become the property of EdgeStar.

This warranty applies to the original purchaser only, and only covers defects in workmanship experienced during operation of the product under normal service, maintenance, and usage conditions. This warranty applies to the purchase and use of this product in residential settings within the United States of America.

WHAT IS NOT COVERED:

The following limitations apply to the coverage of this warranty. This warranty does not cover:

- Labor charges for installation, setup or training to use the product.
- Shipping damage, and any damage caused by improper packaging for shipment to an authorized service center, and any damaged caused by improper voltage or any other misuse, including abnormal service, handling, or usage.
- Cosmetic damage such as scratches and dents.
- Normal wear and tear on parts or replacement of parts designed to be replaced, e.g. filters, cartridges, batteries.
- Service trips to deliver, pick-up, or repair, install the product, or to instruct in proper usage of the product.
- Damages or operating problems resulting from misuse, abuse, operation outside environmental specifications, uses contrary to instructions provided in the owner's manual, accidents, acts of God, vermin, fire, flood, improper installation, unauthorized service, maintenance negligence, unauthorized installation or modification, or commercial use.
- Labor charges incurred 91 days or more after the date of original purchase.
- The use of EdgeStar products in commercial settings.
- Optional accessories, attachments, and appearance items.
- Products that have been modified to perform outside of specifications without the prior written permission of EdgeStar.
- Products lost in shipment, or theft.
- Products sold AS IS or from an unauthorized reseller.
- Products that have had their serial numbers removed or defaced. Products with serial numbers that have been invalidated.

OBTAINING WARRANTY SERVICE:

If you believe your product is defective, contact EdgeStar Customer Support for troubleshooting assistance and warranty service at 1-866-319-5473. Please have your serial number and proof of purchase available. Once an EdgeStar authorized representative has confirmed that your product is defective and eligible for warranty service, the product must be returned to an EdgeStar repair facility. The purchaser is solely responsible for prepaying all shipping related costs to and from the repair facility. EdgeStar is not responsible for damage resulting from shipper mishandling or improper packaging. Do not return a defective product to the place of purchase. Products received without a return authorization number will be refused.

THIS WARRANTY IS IN LIEU OF ANY OTHER WARRANTY, EXPRESS OR IMPLIED, INCLUDING WITHOUT LIMITATION, ANY WARRANTY OF MERCHANTABILITY OR FITNESS FOR A PARTICULAR PURPOSE. TO THE EXTENT ANY IMPLIED WARRANTY IS REQUIRED BY LAW, IT IS LIMITED IN DURATION TO THE EXPRESS WARRANTY PERIOD ABOVE. NEITHER THE MANUFACTURER NOR ITS DISTRIBUTORS SHALL BE LIABLE FOR ANY INCIDENTAL, CONSEQUENTIAL, INDIRECT, SPECIAL, OR PUNITIVE DAMAGES OF ANY NATURE, INCLUDING WITHOUT LIMITATION, LOST REVENUES OR PROFITS, OR ANY OTHER DAMAGE WHETHER BASED IN CONTRACT, TORT, OR OTHERWISE. SOME STATES DO NOT ALLOW THE EXCLUSION OF INCIDENTAL OR CONSEQUENTIAL DAMAGES, SO THE ABOVE EXCLUSION MAY NOT APPLY TO YOU. THIS WARRANTY GIVES YOU SPECIFIC LEGAL RIGHTS. YOU MAY HAVE OTHER RIGHTS THAT VARY FROM STATE TO STATE.



EdgeStar Products
Box 81336
Austin, TX 78708-1336

Toll Free: 1-866-319-5473
Web: <http://www.edgestar.com>
E-mail: service@edgestar.com

Register your product, download owner's manuals, access additional troubleshooting resources, and obtain more information on other great EdgeStar products on the web at: **<http://www.edgestar.com>**

Product contents and specifications may change without notice.

Copyright © 2009 Living Direct, Inc.

Free Manuals Download Website

<http://myh66.com>

<http://usermanuals.us>

<http://www.somanuals.com>

<http://www.4manuals.cc>

<http://www.manual-lib.com>

<http://www.404manual.com>

<http://www.luxmanual.com>

<http://aubethermostatmanual.com>

Golf course search by state

<http://golfingnear.com>

Email search by domain

<http://emailbydomain.com>

Auto manuals search

<http://auto.somanuals.com>

TV manuals search

<http://tv.somanuals.com>