



TWR481/281/280/180/120
Thermoelectric Wine Cooler
Owner's Manual

This owner's manual provides instructions on safe installation, use, and maintenance. Please read it carefully and save it for reference.



<http://www.edgestar.com>

Table of Contents

Table of Contents	1
Important Safeguards	2
1. Specifications	3
2. Parts and Features	4
3. Installation	5
4. Operation	5
5. Troubleshooting	8
6. Limited Warranty	9

IMPORTANT SAFEGUARDS

When using an electrical appliance, basic precautions should always be followed, including the following:

BEFORE USE, PLEASE READ AND FOLLOW ALL INSTRUCTIONS FOR THIS WINE COOLER

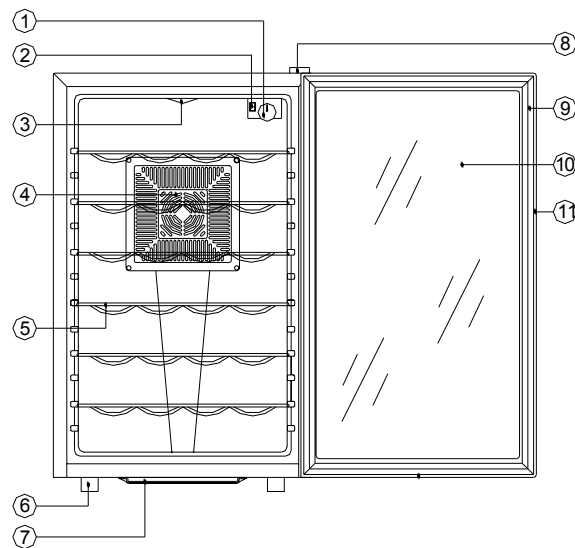
- Do not use if the power supply cord is damaged. If damaged, it must be replaced by the manufacturer or a similarly qualified person.
- This wine cooler is not intended for use by young children or infirm persons without supervision. Young children must be supervised to ensure they do not play with the appliance.
- Ensure the cooler is unplugged before cleaning or if not in use.
- To clean the cooler use only mild detergents or glass cleaning products. Never use harsh detergents or solvents.
- It is not recommended to use this wine cooler with an extension cord or power strip. Please ensure that the appliance is plugged directly into the electrical outlet.
- When positioning the wine cooler, ensure that there is at least a 2" clearance at the sides and a 4" clearance at the back of the cooler. This will allow for adequate ventilation of heat from the back of the cooler.
- This cooler is designed to store wine bottles. If food is placed inside, ensure that there is sufficient airflow between items. Also note that the temperature range for this cooler is optimized for wine and beverage storage. Perishable food items may require a different storage environment.
- Do not place hot food or drinks into the wine cooler before they cool down to room temperature.
- Close the cooler door immediately after putting in any items so the inside temperature will not rise dramatically.
- Avoid subjecting the cooler to external heat sources or direct sunlight.
- For a stable installation, make sure the cooler is placed on a flat, level, and solid surface.
- Make sure that the surface on which the wine cooler is placed is strong enough to hold the wine cooler once it is fully loaded with wine bottles.
- Do not place any other appliances on top of the wine cooler.
- The wine cooler is an electrical appliance. To avoid injury or death from electrical shock, do not operate the wine cooler with wet hands, while standing on a wet surface, or while standing in water.
- Do not use outdoors or in wet or moist conditions.
- Do not turn the cooler upside down, on its side, or 45° or more off level.
- Never pull the power cord to disconnect it from the outlet. Grasp the plug and pull it from the outlet.
- Never lift or carry the wine cooler by the power cord.
- Keep the power cord away from heated surfaces.
- This wine cooler is designed for household, non-commercial use only.

- Do not plug this cooler into the power socket before set up is completed.
- An empty cooler can be dangerous for children. If disposing of the cooler remove gaskets, latches, lids and the entire door from your unused appliance, or take other action to ensure that children cannot become trapped inside.
- If your model of wine cooler is equipped with a lock, take care to keep the keys away from children.
- Do not cut or remove the third prong (the grounding prong) from the power cord.
- The cord should be secured behind the unit and should not be left exposed or dangling.
- Do not move this cooler without emptying it of its contents and securing the door in a closed position.

1. Specifications

Specifications					
Model:	TWR481S	TWR281S	TWR280	TWR180S	TWR120S
Maximum Capacity:	48 Standard Wine Bottles	28 Standard Wine Bottles	28 Standard Wine Bottles	18 Standard Wine Bottles	12 Standard Wine Bottles
Number of Racks	14	6	6	5	3
Controls	Digital	Manual	Manual	Manual	Manual
Temperature Zones	2	1	1	1	1
Input Power:	115 Volts / 60 Hertz	115 Volts / 60 Hertz	115 Volts / 60 Hertz	115 Volts / 60 Hertz	115 Volts / 60 Hertz
Power Consumption	150 Watts, 1.1 Amps	70 Watts, 1 Amps	70 Watts, 1 Amps	70 Watts, 1 Amps	70 Watts, 1 Amps
Net Weight:	89 pounds	48 pounds	48 pounds	36 pounds	28 pounds
Dimensions (HxWxD):	33 3/8"x27 5/8"x20 1/4"	29 1/4"x18 1/4"x20 3/4"	29 1/4"x18 1/4"x20 3/4"	25 3/8"x14"x19 3/4"	18 7/8"x14"x19 1/2"
Dimensions Note:	Note: Installation of the included handle adds 1 3/4" in depth	Note: Installation of the included handle adds 1 5/8" in depth and 1/4" in width		Note: Installation of the included handle adds 1 5/8" in depth and 1/4" in width	Note: Installation of the included handle adds 1 5/8" in depth and 1/4" in width

2. Parts and Features



- | | |
|-----------------------------|------------------|
| 1. TEMPERATURE CONTROL KNOB | 7. WATER BOX |
| 2. LIGHT SWITCH | 8. FOAM COVER |
| 3. LIGHT | 9. MAGNETIC SEAL |
| 4. FAN MASK | 10. GLASS |
| 5. SHELF | 11. DOOR FRAME |
| 6. FOOT | |

Note: Your specific model of wine cooler may differ slightly from the diagram above (in light placement, bottle capacity, etc,) but its operation will be essentially the same.

1. Temperature control knob (only found on models with manual temperature control)- turn the knob clockwise to lower the temperature or counter clockwise to raise the temperature.
2. Light switch (only on models with manual temperature control) - push the switch to turn the light on or off.
3. Light- the light is an energy-saving LED.
4. Fan mask- this is protects the fan from accidental damage.
5. Shelf- your wine cooler comes with either chrome metal shelves or wooden racks (depending upon the model.) Either style of shelf easily slides in and out.
6. Foot- these levelling legs screw in and out to help level your cooler on slightly unlevel surfaces.
7. Water box- this is located outside the cooler, in the back. It catches water condensed from inside your cooler and holds it for evaporation.
8. Cover- this covers and protects your door hinge. Remove it to access the hinge (if you want to reverse the door swing, for example).
9. Magnetic seal- this gasket ensures a solid, airtight seal between the door and the cabinet.
10. Glass- the tempered glass protects your wine while displaying it.
11. Door frame- open and close your cooler by the door frame or the handle (if included on your model).

3. Installation

1. Remove all interior and exterior packaging.
2. Set up your wine cooler on a level surface. Make sure you have at least 2" clearance on both sides and 4" clearance in the back for ventilation.
3. Clean the interior surface with a little bit of lukewarm water and a soft cloth.
4. If you desire, install the handle as outlined below (if your cooler comes with a handle.)
5. Insert the power cord into the power socket. Make sure the power socket is a grounded 115V~AC / 60Hz socket.
6. Fill the wine cooler with your choice of wine bottles. Allow up to 24 hours of operation for the bottles to reach the desired temperature.

4. Operation

The Temperature Control

Your wine cooler uses one of two systems for adjusting the thermostat:

Digital control-

Adjust the temperature using the up and down arrows located on the door of the wine cooler. While you are using the arrows, the temperature you are setting appears on the digital display. After you finish setting the temperature, the digital display will show the current temperature within the cooler.

Manual control-

Use the temperature adjustment knob located inside the wine cooler to change the temperature. Turn the knob clockwise to lower the temperature or counter clockwise to raise the temperature.

Interior Light

Your wine cooler has an interior light with an on/off switch. Turn the light on or off by pressing the switch. On digital control units the light switch will be located on the temperature control, on the outside of the door. On manual control units, the light switch will be located on the temperature control, inside the unit.

Door Lock

Some models of wine cooler have a factory installed lock with keys. The lock is inset into the door. To lock your cooler, insert the key into the lock and turn the key counter clockwise until the metal tab is fully extended.

To unlock your cooler, insert the key into the lock and turn clockwise until the metal tab is fully retracted back into the door.

Caution: Make sure to keep the key in a safe place and out of reach of children- to prevent child entrapment.

Levelling Legs

Your wine cooler is shipped with four levelling legs installed. To adjust these levelling legs, carefully lean the cooler to one side (make sure the cooler is

empty and the door is secured) and unscrew the levelling legs to make them longer. Screw them in tighter to make them shorter.

Note: This cooler is not designed to operate with the levelling legs removed.

Handle

Some models of wine cooler are shipped with a towel bar-style handle. To install the handle, you will need a Phillips head screwdriver.

Look at the left side of the door frame, facing outwards. There are two small holes in the frame. Take the handle and hold it up to the door frame so that the holes in the handle line up with the holes in the door frame. While holding the handle with one hand, insert a screw through the top hole in the handle and screw it into the top hole in the door frame. Then insert a screw in the bottom hole in the handle and screw it into the bottom hole in the door frame. Now insert the small "caps" included into the holes in the handle.

Note: On some models, the handle can be installed in either side of the door frame. To install the handle in the right side of the door frame, use a small flat head screwdriver to pry the caps out of their holes and follow the above directions.

Caution: If you do not feel comfortable making this installation yourself, have a qualified person do the installation for you.

Bottle Capacity

Bottle capacity listed for your wine cooler is an estimated maximum capacity based on standard 750 mL wine bottles. For any other size bottles, capacity will vary.

Racks

Please note that the racks for your cooler have a top and a bottom. If you are having trouble fitting the stated number of bottles in the cooler (provided you have standard wine bottles), try flipping over one or more racks.

Also note that your wine cooler (depending upon the model) may have more "slots" for racks than the number of racks provided with the unit.

Reversing the Door Swing

Single door wine cooler models come with the hinges factory installed on the right side, so the door opens from the left side, swinging open to the right. The hinges can be reversed, to swing open from the right. To reverse the hinges, you need a flat head screwdriver and a Phillips head screwdriver.

Please call service for further instructions about reversing the door swing.

Note: dual door models do not feature reversible doors.

Caution: If you do not feel comfortable reversing the hinges yourself, have a qualified person do it for you.

Cleaning the Air Filter

Your wine cooler has a washable air filter over the air intake in the back of the unit. Periodically, this air filter should be cleaned. You can remove it from the cooler and gently wash it in a solution of mild detergent and water. Make sure it is completely dry before reinstalling it over the air intake.

Alternatively, for a quick cleaning, you can vacuum the air filter.

Cleaning the Cooler

- Turn the temperature control to “off” and unplug your cooler. Remove all items from it (wine bottles, shelves, etc.)
- Wash the inside surfaces with a mild cleaner. We suggest you use either warm water alone, or a baking soda solution (try mixing 2 tablespoons of baking soda into a quart of water.)
- Wash the wire shelves/trays (if you have them) with a mild detergent solution.
- Clean the wooden shelves/trays (if you have them) with a soft cloth and some wood cleaner.
- Wash the outside of the cooler with a mild detergent solution.
- Dry any wet parts with a soft cloth.

Caution: make sure to minimize the exposure of water to any electronic or control parts.

Extended Periods of Disuse

Your cooler can operate safely for three weeks or longer without any adjustments. However, if the cooler is going to be left alone for several months, you should unplug it and clean it according to the instructions above. Pay special attention to drying the interior.

Now set the unit aside somewhere safe. You may want to crack the door slightly to prevent mold growth or odor.

Transporting the Cooler

The ideal packaging for your cooler is its original packaging. If possible, keep this packaging handy and repack the cooler as it was initially packed if you need to transport it.

If you do not have the original packaging:

- Make sure the cooler is turned off and unplugged.
- Remove all items.
- Tape down the shelves and any other loose items within the cooler.
- Shut the door and tape it closed.
- Transport the cooler in a secure, upright position.
- Protect the outside of the cooler with Styrofoam, cardboard, a blanket, etc.

Energy Efficiency Tips

Locate your cooler in the coolest area of the room.

Locate your cooler away from direct sunlight or any heat-producing sources.

Let any hot foods or drinks cool before placing them inside the cooler.

5. Troubleshooting

Symptoms	Possible causes	Solutions
The wine cooler does not turn on.	<p>There is a power failure.</p> <p>The cooler is not plugged in.</p> <p>A house fuse has blown or the circuit breaker is tripped.</p>	<p>Ensure the cooler is plugged in and the power outlet has power.</p> <p>Replace the broken fuse in your fuse box or reset the breaker.</p>
The wine cooler will not reach the desired temperature	<p>The cooler is placed too close to a heat source.</p> <p>The cooler does not have sufficient ventilation.</p> <p>The door is opened too frequently or for a long period of time.</p>	<p>Keep the cooler away from sunshine or other heat sources.</p> <p>Make sure the wine cooler has several inches of ventilation on the sides and back.</p> <p>Close the door tightly and do not open the door too frequently or for a long period of time.</p>
Frost is forming in the wine cooler	<p>The environment is humid.</p> <p>The ambient temperature is too low.</p> <p>The door is being opened too frequently.</p>	<p>Though the unit uses an "auto-defrost" system, under certain conditions, manual defrosting may be required. If frost builds up, you can try running the cooler on a warmer temperature setting, minimizing the number of times you open the door, or unplugging the unit to allow the frost to melt.</p>

Symptoms	Possible causes	Solutions
The cooler turns on and off frequently.	<p>The room temperature is higher than the recommended ambient temperature (77°F).</p> <p>The door is being opened often.</p> <p>The door is not completely closed.</p> <p>The door gasket is not sealing properly.</p> <p>The cooler does not have the suggested ventilation.</p>	<p>Run the cooler in the appropriate ambient temperature.</p> <p>Minimize the number of times the door is opened.</p> <p>Make sure the door is completely closed.</p> <p>Make sure the door gasket is properly sealing.</p> <p>Make sure the cooler has at least 2" on the sides and 4" in the back for clearance.</p>
The cooler makes too much noise.	<p>If the noise is from the fan, it may be normal operating noise.</p> <p>The unit is not level.</p> <p>Popping or crackling noises are coming from the unit.</p>	<p>The fan makes normal fan noises when operating- this is normal.</p> <p>Make sure the cooler is on a level surface.</p> <p>Some popping or crackling noises are normal. They are caused by expansion and contraction of the inside walls due to temperature changes.</p>
The door will not shut properly.	<p>Your cooler is not level.</p> <p>The door gasket is dirty.</p> <p>The door gasket is malformed.</p> <p>The shelves are incorrectly installed.</p>	<p>Make sure the cooler is on a level surface.</p> <p>Clean the door gasket.</p> <p>Make sure the door gasket is properly sealing.</p> <p>Correctly install the shelves.</p>

6. Limited Warranty

This EdgeStar product is warranted to be free from defective workmanship and materials for the first year following the date of original purchase. Replacement parts will be supplied free of charge for the first year following the date of original purchase. Labor will be performed free of charge for the first 90 days following the date of original purchase.

WHAT IS COVERED:

This warranty applies to the original purchaser only, and only covers defects in workmanship experienced during operation of the product under normal

service, maintenance, and usage conditions. This warranty applies to the purchase and use of this product in residential settings within the United States of America.

WHAT IS NOT COVERED:

The following limitations apply to the coverage of this warranty:

Optional accessories, attachments, and appearance items are excluded from warranty coverage, as is shipping damage, and any damage caused by improper voltage or any other misuse, including abnormal service, handling, or usage.

This warranty does not cover normal wear and tear on parts or replacement of parts designed to be replaced, e.g. filters, etc.

This warranty does not cover service trips to deliver, pick-up, repair, or install the product, or to instruct in proper usage of the product.

Damages or operating problems resulting from abuse, operation outside environmental specifications, uses contrary to instructions provided in the owner's manual, accidents, vermin, fire, flood, improper installation, unauthorized service, acts of God, unauthorized installation or modification, or commercial use are excluded from warranty coverage.

This warranty does not cover labor incurred 91 days or more after the date of original purchase.

This warranty does not cover use of EdgeStar products in commercial settings.

DESCRIPTION OF WARRANTY SERVICE:

All defective product components covered by this warranty will be repaired or replaced, at EdgeStar's option, free of charge on a mail-in basis to EdgeStar's authorized repair facility during the first 90 days from the date of original purchase.

All defective product components covered by this warranty will be repaired or replaced, at EdgeStar's option, on a mail-in basis to EdgeStar's authorized repair facility during the time period beginning on the 91st day from the date of original purchase and ending one year from the date of original purchase.

During this time period, parts will be supplied free of charge, but labor charges will apply.

All replacement parts and units will be new, remanufactured, or refurbished. All products and components replaced by EdgeStar under warranty service become the property of EdgeStar.

OBTAINING WARRANTY SERVICE:

Contact EdgeStar for troubleshooting assistance and warranty service authorization at 1-866-319-5473. Please have your order receipt available to confirm the date of purchase.

Once an EdgeStar authorized representative has confirmed that your product is eligible for warranty service, the product must be returned to an EdgeStar authorized repair facility.

The purchaser is solely responsible for prepaying all shipping related costs to and from the repair facility.

EdgeStar is not responsible for damage resulting from shipper mishandling or improper packaging.

Do not return defective product to the place of purchase.

THIS WARRANTY IS IN LIEU OF ANY OTHER WARRANTY, EXPRESS OR IMPLIED, INCLUDING WITHOUT LIMITATION, ANY WARRANTY OF MERCHANTABILITY OR FITNESS FOR A PARTICULAR PURPOSE. TO THE EXTENT ANY IMPLIED WARRANTY IS REQUIRED BY LAW, IT IS LIMITED IN DURATION TO THE EXPRESS WARRANTY PERIOD ABOVE. NEITHER THE MANUFACTURER NOR ITS DISTRIBUTORS SHALL BE LIABLE FOR ANY INCIDENTAL, CONSEQUENTIAL, INDIRECT, SPECIAL, OR PUNITIVE DAMAGES OF ANY NATURE, INCLUDING WITHOUT LIMITATION, LOST REVENUES OR PROFITS, OR ANY OTHER DAMAGE WHETHER BASED IN CONTRACT, TORT, OR OTHERWISE. SOME STATES DO NOT ALLOW THE EXCLUSION OF INCIDENTAL OR CONSEQUENTIAL DAMAGES, SO THE ABOVE EXCLUSION MAY NOT APPLY TO YOU. THIS WARRANTY GIVES YOU SPECIFIC LEGAL RIGHTS. YOU MAY HAVE OTHER RIGHTS THAT VARY FROM STATE TO STATE.



For information on EdgeStar and to view our full line of products, please visit our website:
<http://www.edgestar.com>

EdgeStar Products
Box 81336
Austin, Texas 78708-1336
Toll Free: 1-866-319-5473

Free Manuals Download Website

<http://myh66.com>

<http://usermanuals.us>

<http://www.somanuals.com>

<http://www.4manuals.cc>

<http://www.manual-lib.com>

<http://www.404manual.com>

<http://www.luxmanual.com>

<http://aubethermostatmanual.com>

Golf course search by state

<http://golfingnear.com>

Email search by domain

<http://emailbydomain.com>

Auto manuals search

<http://auto.somanuals.com>

TV manuals search

<http://tv.somanuals.com>