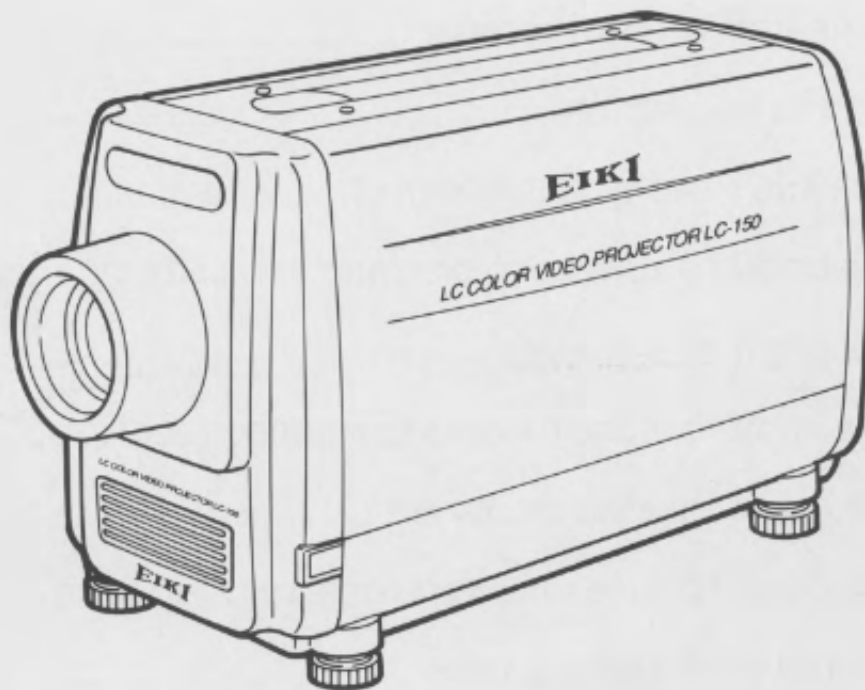




LC COLOR VIDEO PROJECTOR

MODEL LC-150



OWNER'S INSTRUCTION MANUAL

TABLE OF CONTENTS

	PAGE
1. SAFETY PRECAUTIONS	1
2. IMPORTANT SAFETY INSTRUCTIONS	2
3. DESCRIPTION	3
4. OPERATION OF CONTROLS	4 – 5
5. REMOTE CONTROL OPERATION	6 – 7
6. SETTING-UP THE PROJECTOR	8
7. USING THE PROJECTOR	9 – 10
8. COLOR AND PICTURE ADJUSTMENTS	11
9. CONNECTION TO VCR, VIDEO DISC AND SATELLITE TV	12
10. CONNECTION TO S-VHS VCR	13
11. CONNECTION TO VIDEO CAMERA/CAMCORDER	13
12. CONNECTION TO MONITOR OUTPUT	14
13. CONNECTION TO EXTERNAL AMPLIFIER AND SPEAKERS	14
14. AIR FILTER CARE AND CLEANING	15
15. LAMP REPLACEMENT/TEMPERATURE INDICATORS	15
16. TROUBLE SHOOTING GUIDE	16
17. TECHNICAL SPECIFICATIONS	17

1 SAFETY PRECAUTIONS

WARNING:


TO REDUCE THE RISK OF FIRE OR ELECTRIC SHOCK, DO NOT EXPOSE THIS APPLIANCE TO RAIN OR MOISTURE.

The LC color video projector has a grounding-type AC line plug. This is a safety feature to be sure that the plug will fit into the power outlet. Do not defeat this safety feature.

Intense light source. Do not stare directly into the projection lens as possible eye damage could result. Be especially careful that children do not stare directly into to the beam.

If the LC color video projector will not be used for an extended time, unplug the LC color video projector from the power outlet.

READ AND KEEP THIS OWNER'S INSTRUCTION MANUAL FOR LATER USE.

	CAUTION RISK OF ELECTRIC SHOCK DO NOT OPEN	
CAUTION: TO REDUCE THE RISK OF ELECTRIC SHOCK, DO NOT REMOVE COVER (OR BACK). NO USER-SERVICEABLE PARTS INSIDE. REFER SERVICING TO QUALIFIED SERVICE PERSONNEL.		
 THIS SYMBOL INDICATES THAT DANGEROUS VOLTAGE CONSTITUTING A RISK OF ELECTRIC SHOCK IS PRESENT WITHIN THIS UNIT.	 THIS SYMBOL INDICATES THAT THERE ARE IMPORTANT OPERATING AND MAINTENANCE INSTRUCTIONS IN THE OWNER'S MANUAL WITH THIS UNIT.	

IMPORTANT:

For your protection in the event of theft or loss of this LC color video projector, please record the Model Number and Serial Number located on the rear of unit and retain this information. Refer to these numbers whenever you call upon your Eiki dealer regarding this product.

Model No: LC-150

Serial No: _____

2 IMPORTANT SAFETY INSTRUCTIONS

Read all of the instructions given here and retain them for later use. Unplug this projector from AC power supply before cleaning. Do not use liquid or aerosol cleaners. Use a damp cloth for cleaning.

Do not use attachments not recommended by the manufacturer as they may cause hazards.

Do not place this projector on an unstable cart, stand, or table. The projector may fall, causing serious injury to a child or adult, and serious damage to the projector. Use only with a cart or stand recommended by the manufacturer, or sold with the projector. Wall or shelf mounting should follow the manufacturer's instructions, and should use a mounting kit approved by the manufacturer.

Do not expose this unit to rain or use near water... for example, in a wet basement, near a swimming pool or the like.

Slots and openings in the cabinet and the back or bottom are provided for ventilation, to insure reliable operation of the equipment and to protect it from overheating.

The openings should never be covered with cloth or other material, and the bottom opening should not be blocked by placing the projector on a bed, sofa, rug, or other similar surface. This projector should never be placed near or over a radiator or heat register.

This projector should not be placed in a built-in installation such as a bookcase unless proper ventilation is provided.

This projector should be operated only from the type of power source indicated on the marking label. If you are not sure of the type of power supplied, consult your Eiki dealer or local power company.

Do not overload wall outlets and extension cords as this can result in fire or electric shock. Do not allow anything to rest on the power cord. Do not locate this projector where the cord will be abused by persons walking on it.

Never push objects of any kind into this projector through cabinet slots as they may touch dangerous voltage points or short out parts that could result in a fire or electric shock. Never spill liquid of any kind on the projector.

Do not attempt to service this projector yourself as opening or removing covers may expose you to dangerous voltage or other hazards. Refer all servicing to qualified service personnel.

Unplug this projector from wall outlet and refer servicing to qualified service personnel under the following conditions:

- When the power cord or plug is damaged or frayed.
- If liquid has been spilled into the projector.
- If the projector has been exposed to rain or water.
- If the projector does not operate normally by following the operating instructions. Adjust only those controls that are covered by the operating instructions as improper adjustment of other controls may result in damage and will often require extensive work by a qualified technician to restore the projector to normal operation.
- If the projector has been dropped or the cabinet has been damaged.
- When the projector exhibits a distinct change in performance - this indicates a need for service.

When replacement parts are required, be sure the service technician has used replacement parts specified by the manufacturer that have the same characteristics as the original part. Unauthorized substitutions may result in fire, electric shock, or injury to persons.

Upon completion of any service or repairs to this projector, ask the service technician to perform routine safety checks to determine that the projector is in safe operating condition.



This projector is equipped with a grounding type AC line plug. Should you be unable to insert the plug into the outlet, contact your electrician. Do not defeat the safety purpose of this grounding type plug.

Follow all warnings and instructions marked on the projectors.

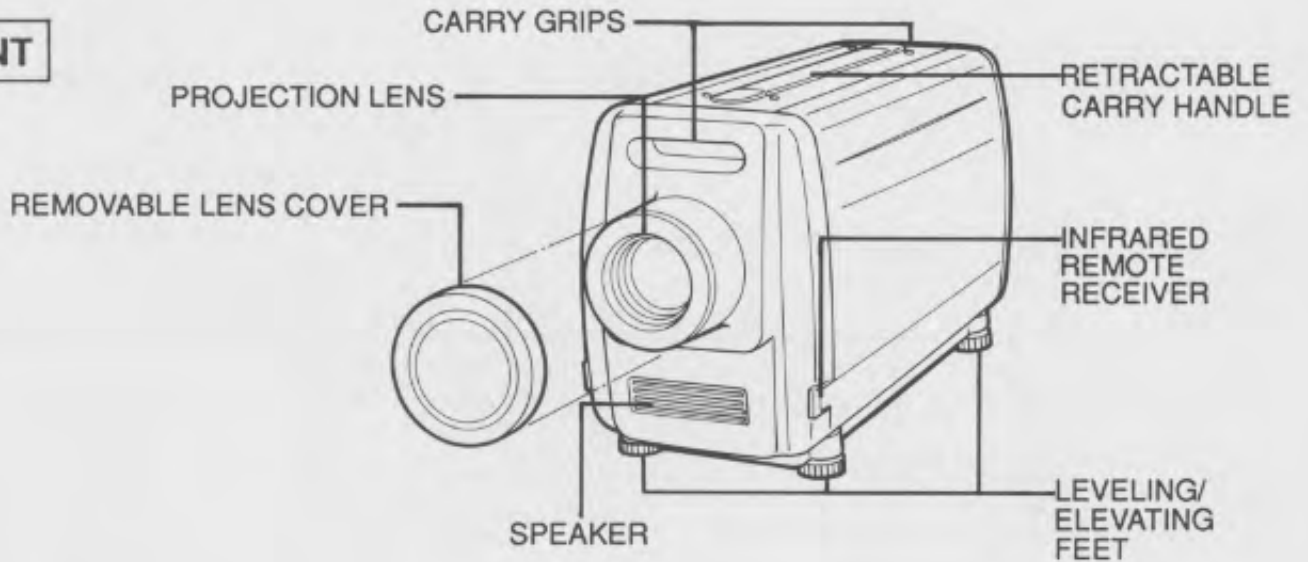
For added protection for the projector during a lightning storm, or when it is left unattended and unused for long periods of time, unplug it from the wall outlet. This will prevent damage due to lightning and powerline surges.



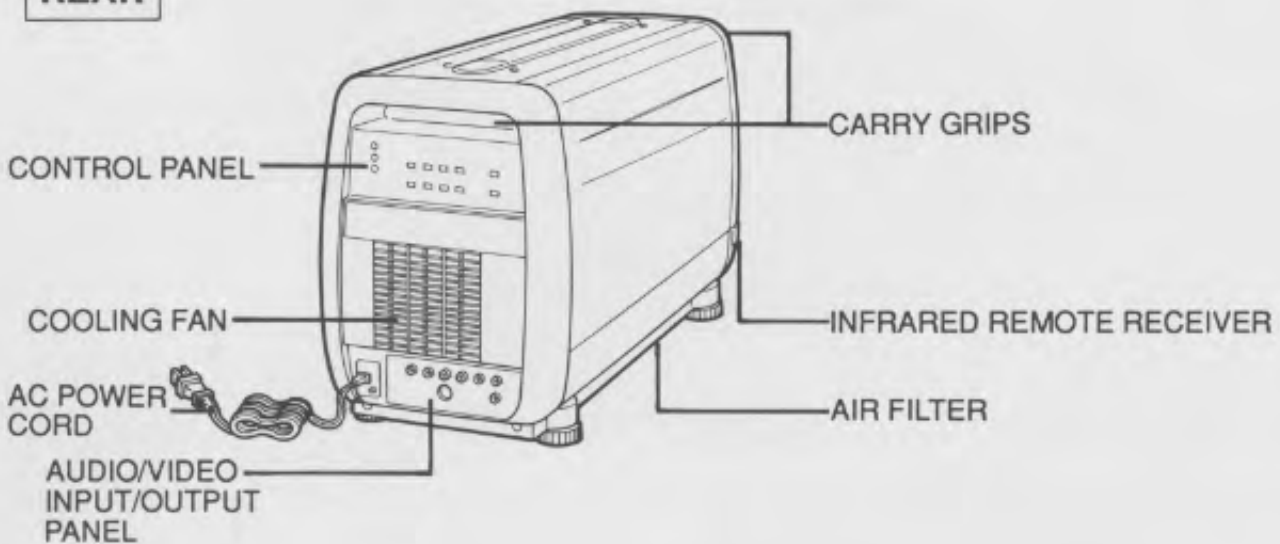
An appliance and cart combination should be moved with care. Quick stops, excessive force, and uneven surfaces may cause the appliance and cart combination to overturn.

3 DESCRIPTION

FRONT



REAR



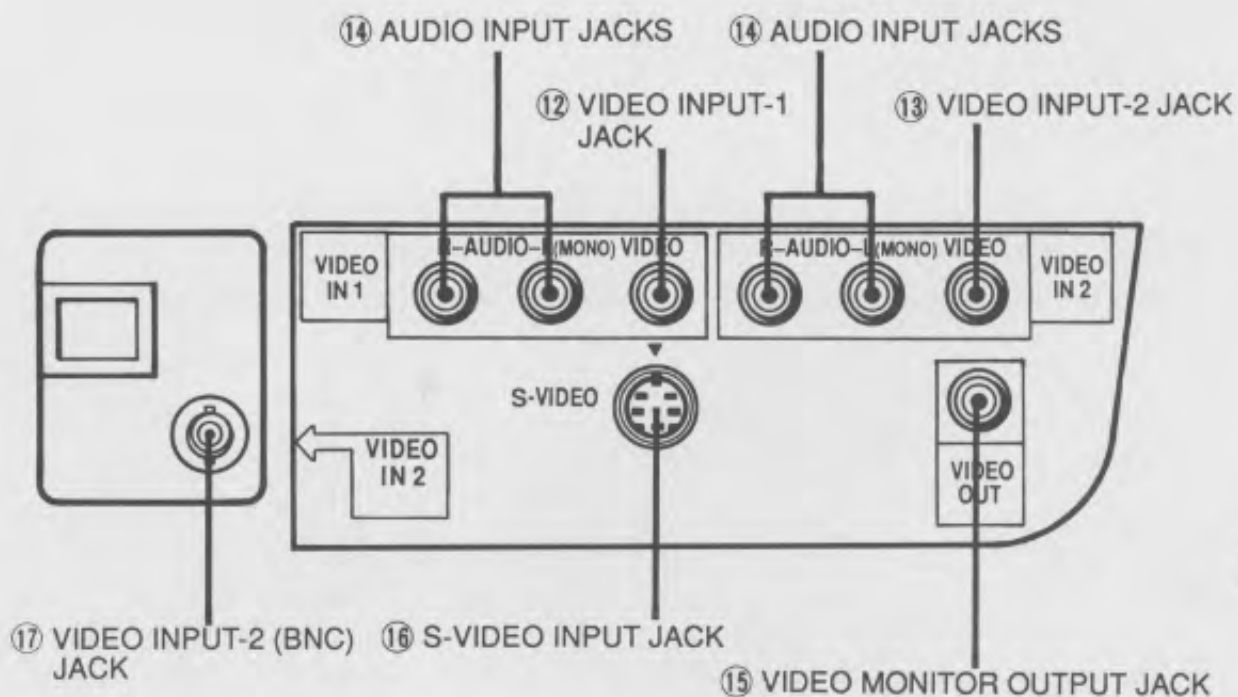
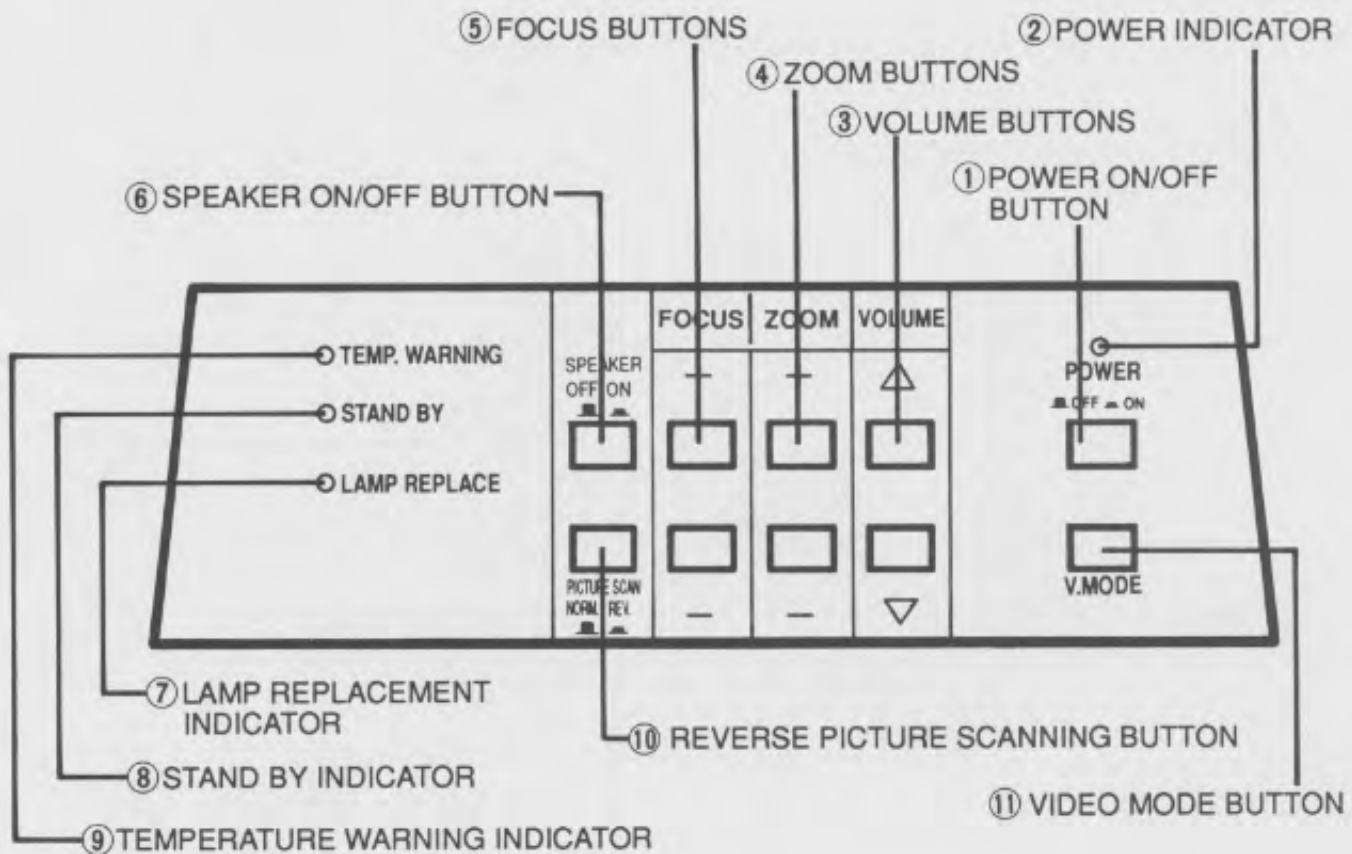
MOVING THE PROJECTOR

Use the built-in carry grips or retractable carry handle when moving the projector.



Replace the lens cover when moving the projector to prevent damage to the lens.

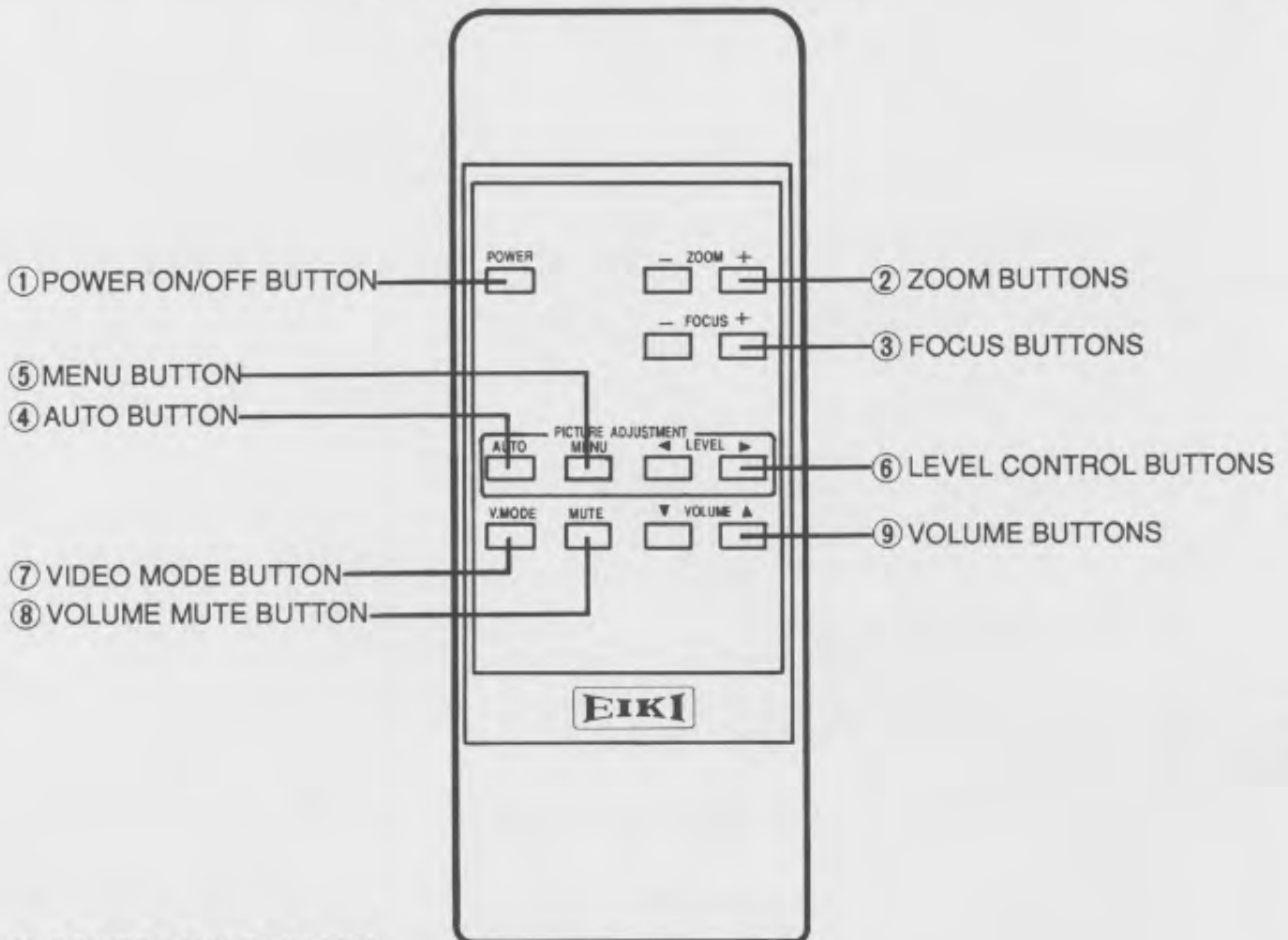
4 OPERATION OF CONTROLS



- ① **POWER ON/OFF BUTTON**
Press to turn power and projection lamp on or off.
- ② **POWER INDICATOR**
Lights red when power is on.
- ③ **VOLUME BUTTONS**
Used to increase or decrease sound level.
- ④ **ZOOM BUTTONS**
Used to operate power zoom lens.
- ⑤ **FOCUS BUTTONS**
Used to operate power focus system.
- ⑥ **SPEAKER ON/OFF BUTTON**
Turns the built-in speaker on or off.
- ⑦ **LAMP REPLACEMENT INDICATOR**
Lights red when projection lamp is nearing end of service life.
- ⑧ **STAND BY INDICATOR**
Lights green when projector is ready to be turned on.
- ⑨ **TEMPERATURE WARNING INDICATOR**
Lights red when internal projector temperature is too high.
- ⑩ **REVERSE PICTURE SCANNING BUTTON**
Automatically reverses the projected screen image.
- ⑪ **VIDEO MODE BUTTON**
Press to select video source. (Video Input-1, Video Input-2, or S-Video Input jacks)
- ⑫ **VIDEO INPUT-1 JACK**
Used to connect a video source to the projector.
- ⑬ **VIDEO INPUT-2 JACK**
Used to connect a video source to the projector.
- ⑭ **AUDIO INPUT JACKS**
Used to connect an audio input to the projector.
- ⑮ **VIDEO MONITOR OUTPUT JACK**
Permits video connection to a monitor.
- ⑯ **S-VIDEO INPUT JACK**
Used to connect S-VHS video source to the projector.
- ⑰ **VIDEO INPUT-2 (BNC) JACK**
Used to connect a video source to the projector.

5 REMOTE CONTROL OPERATION

INFRARED REMOTE CONTROL



- ① POWER ON/OFF BUTTON
Press to turn power and projection lamp on or off.
- ② ZOOM BUTTONS
Used to operate power zoom lens.
- ③ FOCUS BUTTONS
Used to operate power focus system.
- ④ AUTO BUTTON
Used to reset to normal factory set picture adjustment.
- ⑤ MENU BUTTON
Used to select on-screen adjustment displays for brightness, color, tint, sharpness, contrast. Press repeatedly to cycle.
- ⑥ LEVEL CONTROL BUTTONS
Used to adjust brightness, color, tint, sharpness, contrast by pressing ◀ or ▶ buttons.
- ⑦ VIDEO MODE BUTTON
Press to select video source. (Video Input-1, Video Input-2, or S-Video Input jacks)
- ⑧ VOLUME MUTE BUTTON
Used to mute volume.
- ⑨ VOLUME BUTTONS
Used to adjust volume.

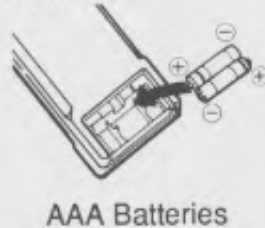
REMOTE CONTROL BATTERY INSTALLATION

1 Remove the battery compartment lid.



2 Slide the batteries into the compartment.

Note : The correct battery polarity (+ and - terminal). Be sure the battery terminals are in contact with the pins in the compartment.



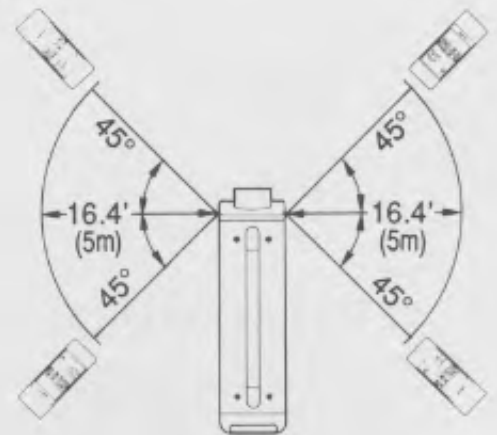
3 Replace the compartment lid.



USING THE REMOTE CONTROL WITH THE LC-150

After installing the remote control press ON. Point the remote control toward the front of the projector (Receiver window) when pressing the buttons.

Maximum operating range of the remote is about 16.4' (5m) and 45° from the front of the projector.



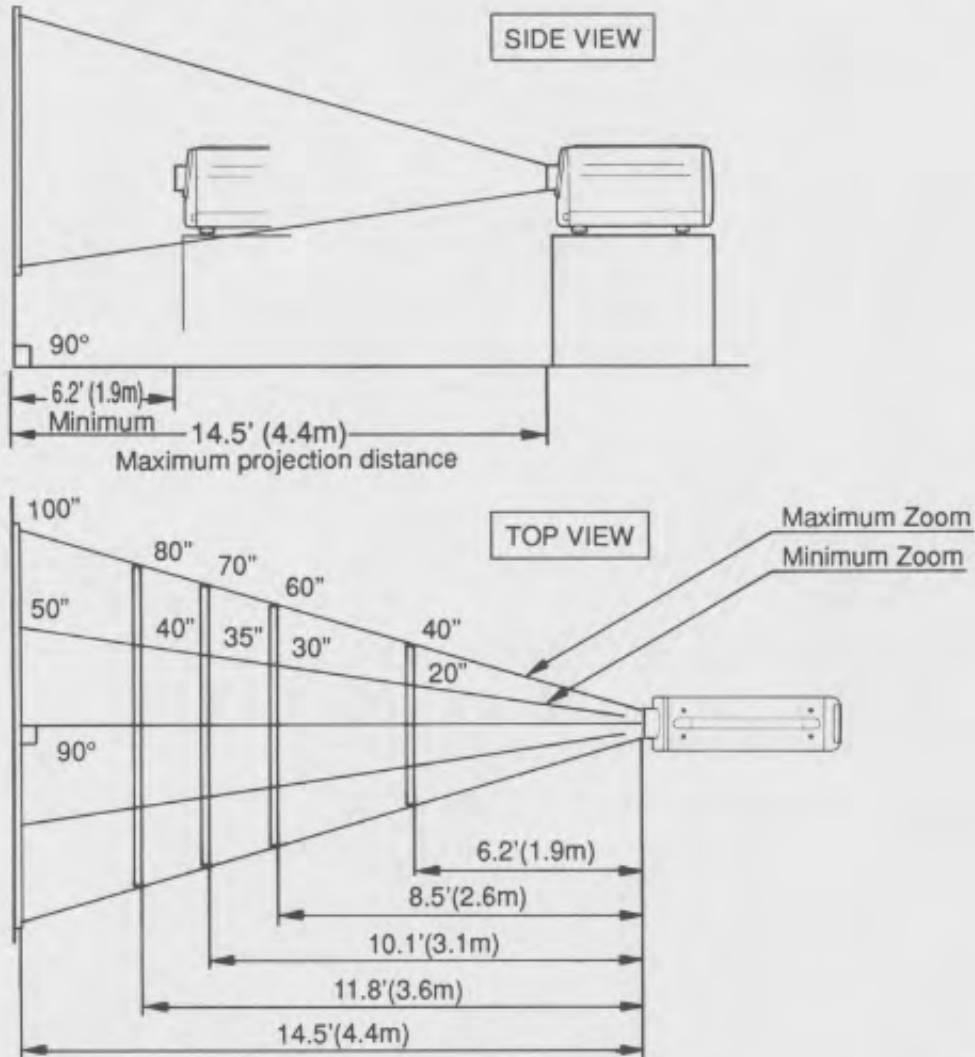
To insure safe operation, please observe the following precautions:

- * Use (2) Alkaline AAA type batteries.
- * Change both batteries at the same time.
- * Do not use a new battery with a used battery.
- * Avoid contact with water.
- * Do not drop the remote control unit.

6 SETTING-UP THE PROJECTOR

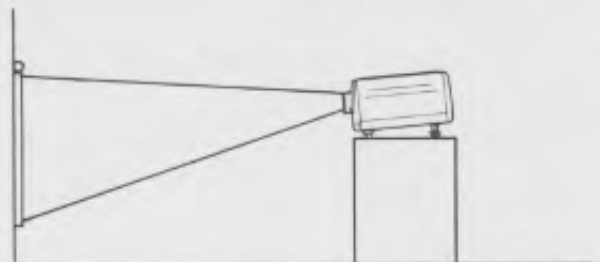
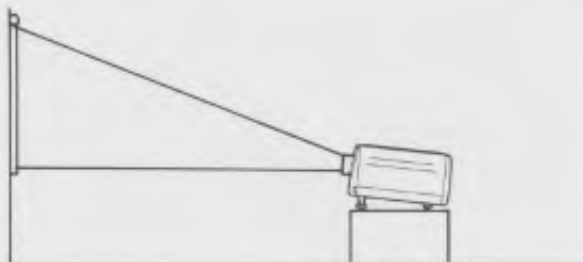
POSITIONING:

- The LC-150 is designed to project on a flat projection surface. If the projector is not placed at 90° angle to the screen, the projected image may become distorted and difficult to view.
- The LC-150 can be focused from 6.2' (1.9m) - 14.5' (4.4m).
- Use the illustration below as an example when positioning the projector to the screen.



LEVELING AND ELEVATING ADJUSTMENTS

Picture adjustments can be made with the four leveling and elevating feet located on the bottom of the projector. Adjustments of 5° up or down are possible by rotating the feet.



7 USING THE PROJECTOR

TO TURN ON THE PROJECTOR

1. Connect the projector to a video source (VCR, Video Camera, Video Disc Player, etc.) using the appropriate terminals on the rear of the projector (See page 12 - 14).
2. Connect the projector's AC power cord into a wall outlet. (If STAND BY INDICATOR lights green, proceed on step 3.)
3. Press the POWER ON/OFF button (located on projector) to ON. The POWER INDICATOR will light red.
When the POWER INDICATOR is dim, press twice the POWER ON/OFF button (located on projector) to ON or press the POWER ON/OFF button on the remote control to ON.

Note: If the TEMPERATURE WARNING INDICATOR flashes red, see NOTE 1.

4. Press VIDEO MODE button (located on projector or remote control) to select Video Input-1 or Video Input-2, and "AV1" or "AV2" appears on the screen display.
5. Press ZOOM buttons on the remote control or on the projector to obtain the desired picture size. For the larger size, press (+) and for the smaller size, press (-).
(See page 8 for the screen size/projection distance chart)

6. To adjust the focus, press FOCUS button on the remote control or on the projector for sharper, crisper picture. (The focus display will appear for 5 seconds when it pressed.) You can make the focus adjustment easily by using the display.



7. To use the built-in speaker, press SPEAKER button.
To adjust the volume, press VOLUME buttons on the projector, or on the remote control. The screen display will appear.
Pressing (▲) will increase volume and the green indicator will expand to the right on the screen.
Pressing (▼) will decrease volume and the green indicator will shrink to the left on the screen.
Pressing the SPEAKER button another time will disengage the built-in speaker on the projector.
8. Pressing MUTE button on the remote control will mute audio (Red screen display will appear).
Press MUTE button again to restore audio to its previous level.
9. The normal color setting is factory preset on the projector and can be obtained anytime by pressing the AUTO button on the remote control. You can adjust the color to your preference by using the MENU button on the remote control.

NOTE 1 : If TEMPERATURE WARNING INDICATOR flashes red, the projector will automatically turn off. Wait at least 5 minutes before turning the projector on.

If projector TEMPERATURE WARNING INDICATOR continues to flash, follow the procedures below:

- Press POWER ON/OFF button to OFF.
- Check the air filter for dust accumulation.
- Remove dust with vacuum cleaner (See air filter care and cleaning on page 15).
- Press POWER ON/OFF button to ON.
If TEMPERATURE WARNING INDICATOR continues to flash, call your authorized Eiki dealer for service.

TO TURN OFF THE PROJECTOR

Press POWER ON/OFF button on the remote control to OFF. Video, Audio and projection lamp will turn off. The POWER ON/OFF INDICATOR will be dim.

Or, press the POWER ON/OFF button on the projector to OFF. Video, Audio and projection lamp will turn off.

Note: When POWER ON/OFF button on the projector is turned off, the STAND BY INDICATOR will turn off, and will relight 1 minute later.

The cooling fan will operate for 1 minute after the projector is turned off. (During this "cool down" period, the projector can not be turned on).

After 1 minute, the STAND BY INDICATOR will light green and the cooling fan will shut off. Now the projector is ready to be turned on (See 1 in "To turn on the projector").

CAUTION : When the STAND BY INDICATOR lights green, the projector is ready to be turned on.

When the STAND BY INDICATOR light is off, the projector is not ready. Wait for 1 minute or until the indicator lights green.

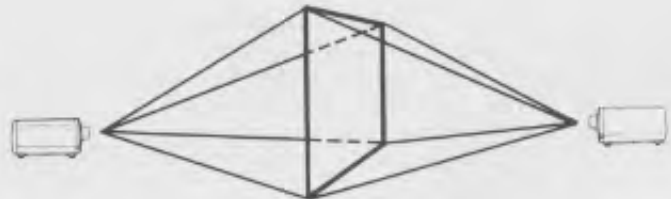
In case of a power outage during operation, or when the AC power cord is unplugged accidentally during the operation, the projector is turned off and the STAND BY INDICATOR will light after 1 minute.

OTHER FEATURES

The versatile left/right picture reverse capability lets you project onto the screen from in front or behind.

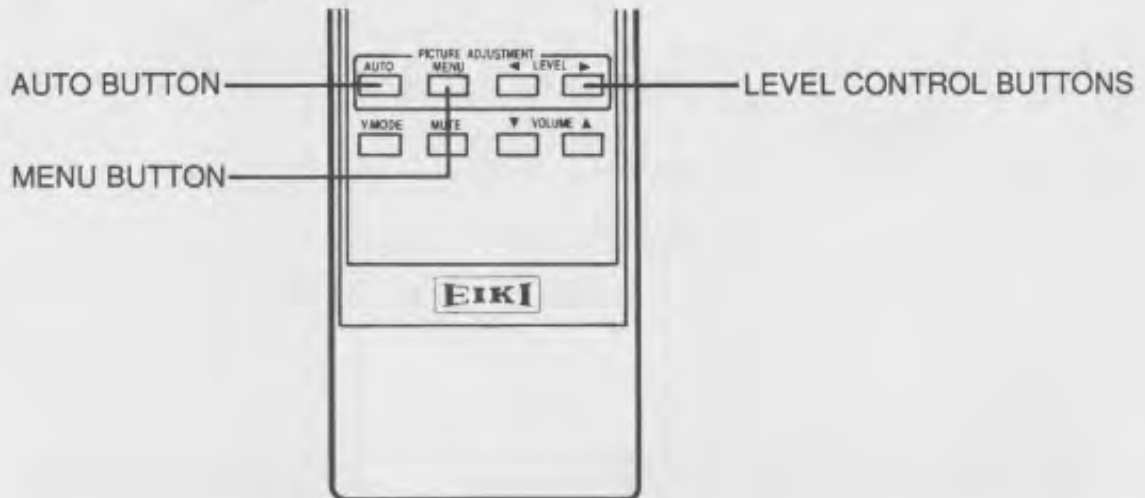
- Press the REVERSE PICTURE SCANNING button on the projector, if required.

With the adjustable side-throw projection mirror (optional accessory), the distance from the viewer to the screen can be effectively reduced, permitting projection even in small rooms.



8 COLOR AND PICTURE ADJUSTMENTS

Picture adjustment can be made by only wireless remote control.



Color and picture adjustments have been preset at the factory to quality standards. However, with the MENU button on the remote control you can select color and picture adjustments you personally prefer.

1. To adjust the following functions (COLOR, TINT, CONTRAST, BRIGHTNESS, and SHARPNESS) press the MENU button.
2. Pressing the MENU button once, puts you in the color adjustment mode. The word COLOR should be appear on the screen. Proceed to adjust the color to your preference by pressing the LEVEL CONTROL (▶) to increase color or the (◀) to decrease color.

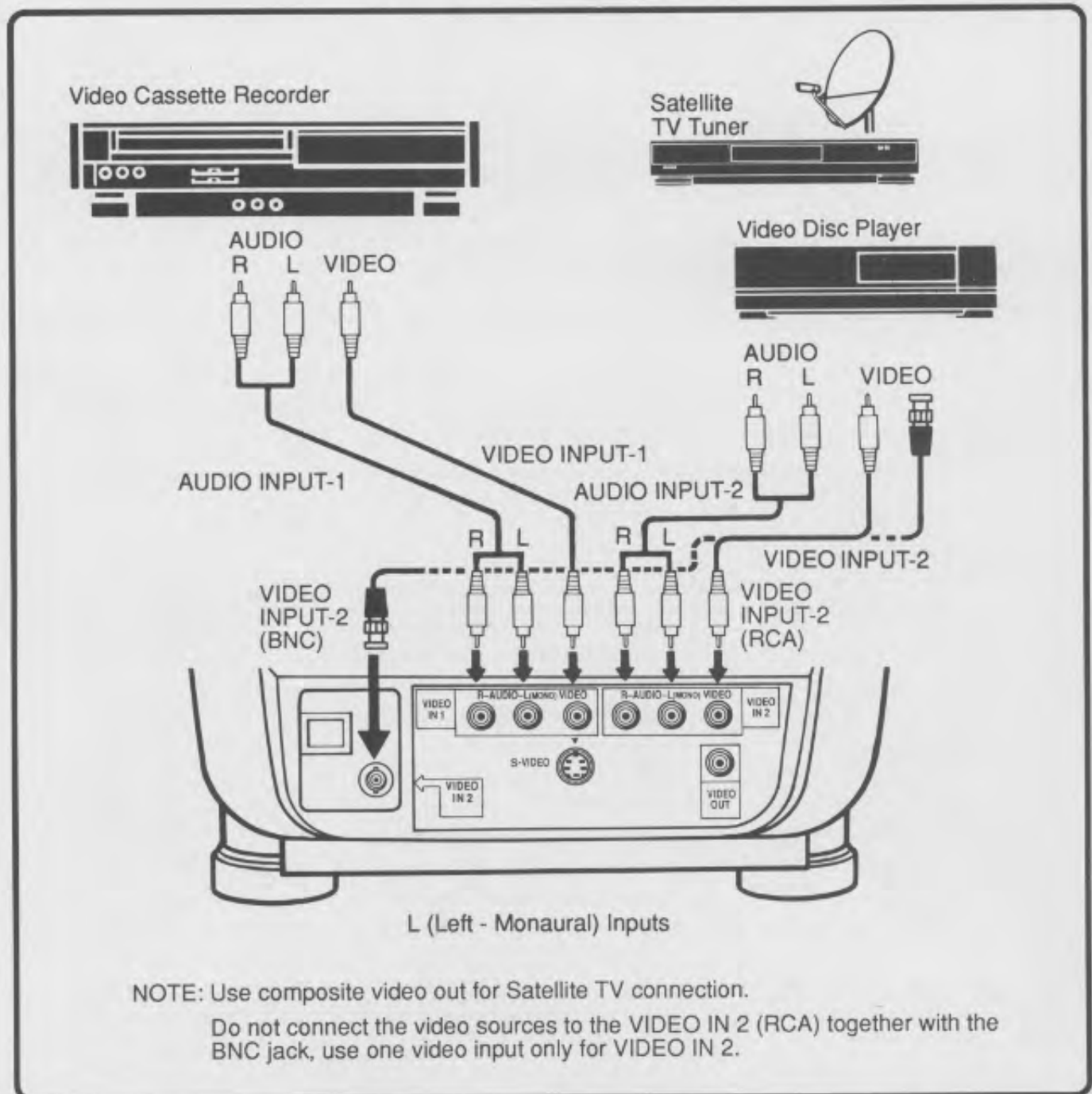
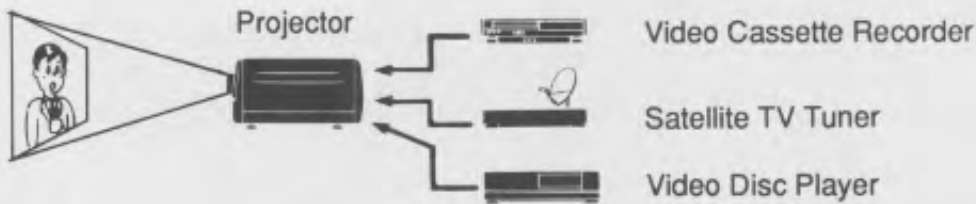
<p>• Press the LEVEL CONTROL buttons to make adjustments. Refer to the picture control chart below.</p>	
COLOR	DECREASES ↔ INCREASES
TINT	MORE PURPLE ↔ MORE GREEN
CONTRAST	SOFTER ↔ SHARPER
BRIGHTNESS	DARKER ↔ BRIGHTER
SHARPNESS	SOFTER ↔ SHARPER

3. By again pressing the MENU button, the other functions (TINT, CONTRAST, BRIGHTNESS and SHARPNESS) will appear in order. Use the same procedure to adjust other functions according to your preference.

4. The ON-SCREEN display will disappear automatically in 8 seconds.

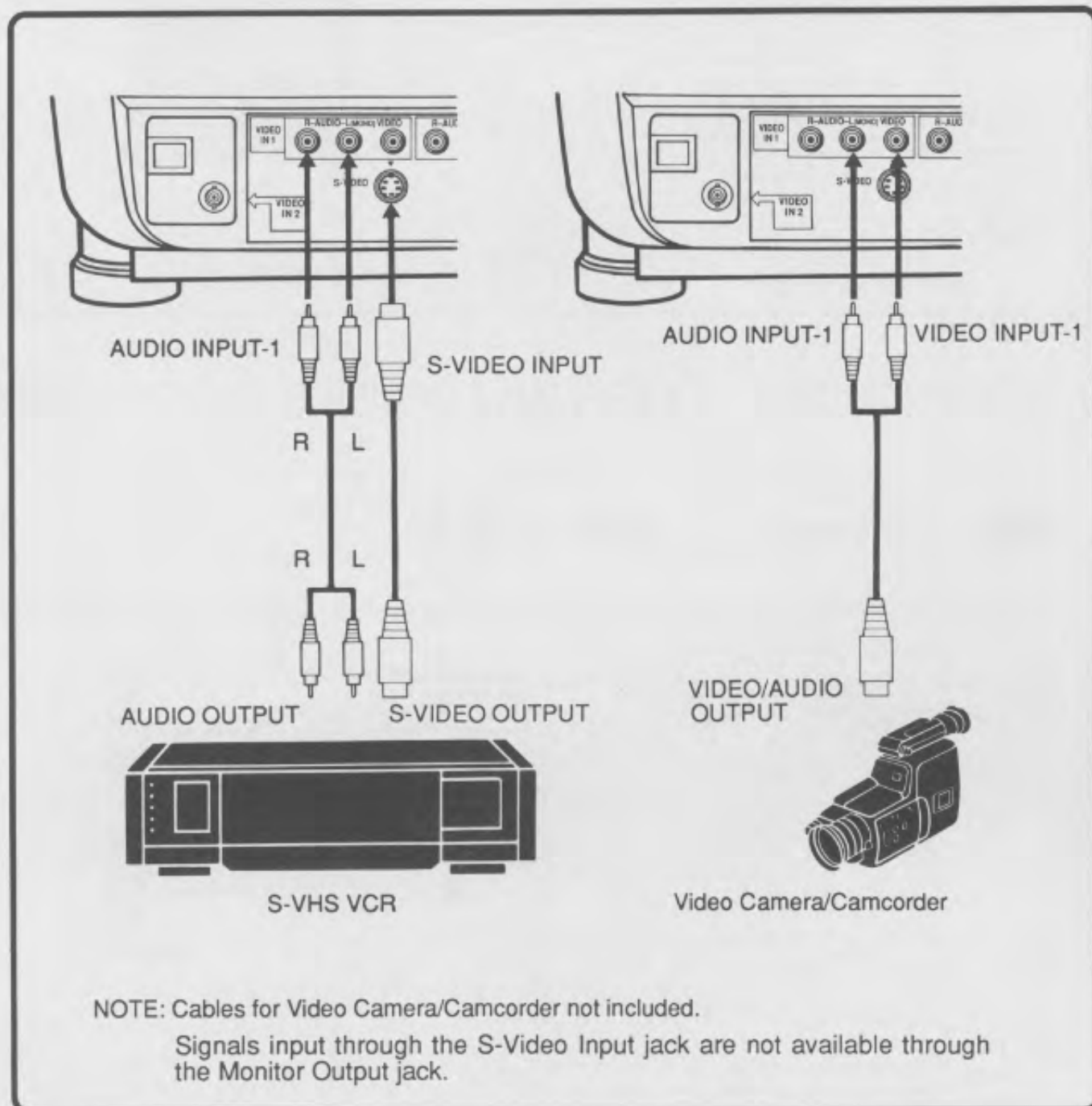
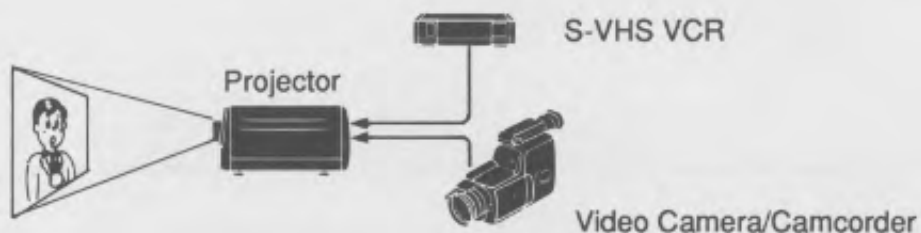
NOTE: The projector is equipped with a built-in memory feature that eliminates the need to readjust the picture each time the projector is turned on. If AUTO button is pressed, the projector will revert back to factory preset colors.

9 CONNECTION TO VCR, VIDEO DISC PLAYER AND SATELLITE TV TUNER



10 CONNECTION TO S-VHS VCR

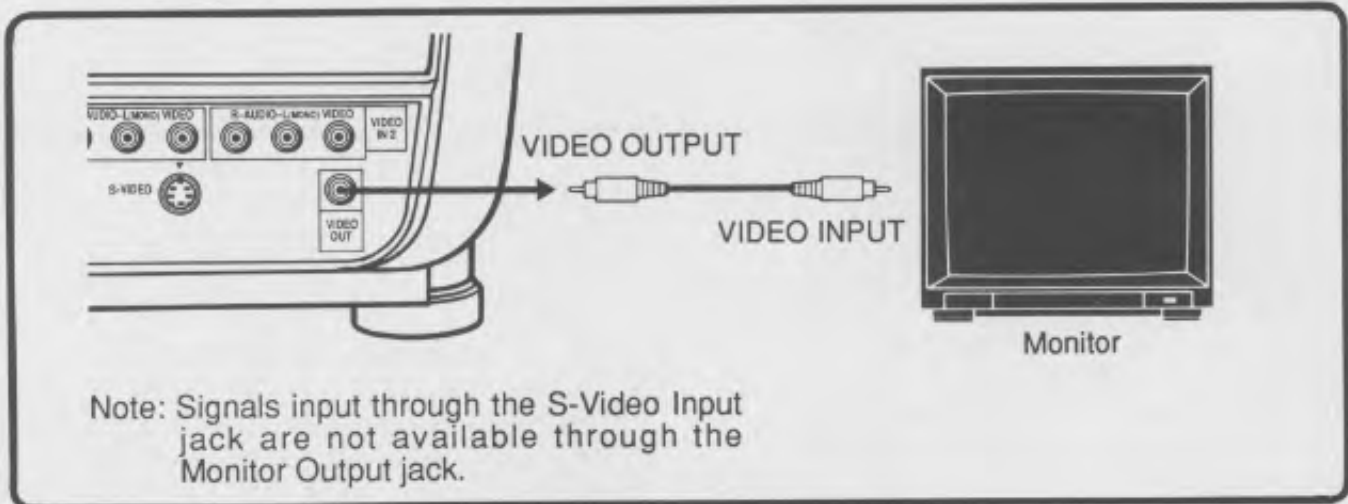
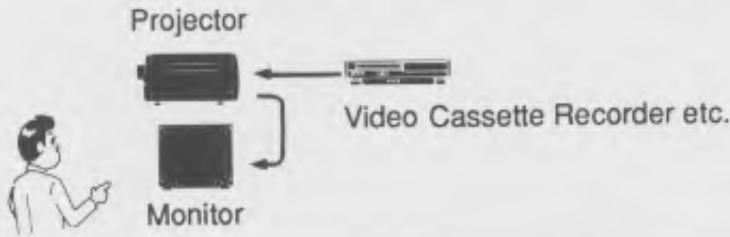
11 CONNECTION TO VIDEO CAMERA/CAMCORDER



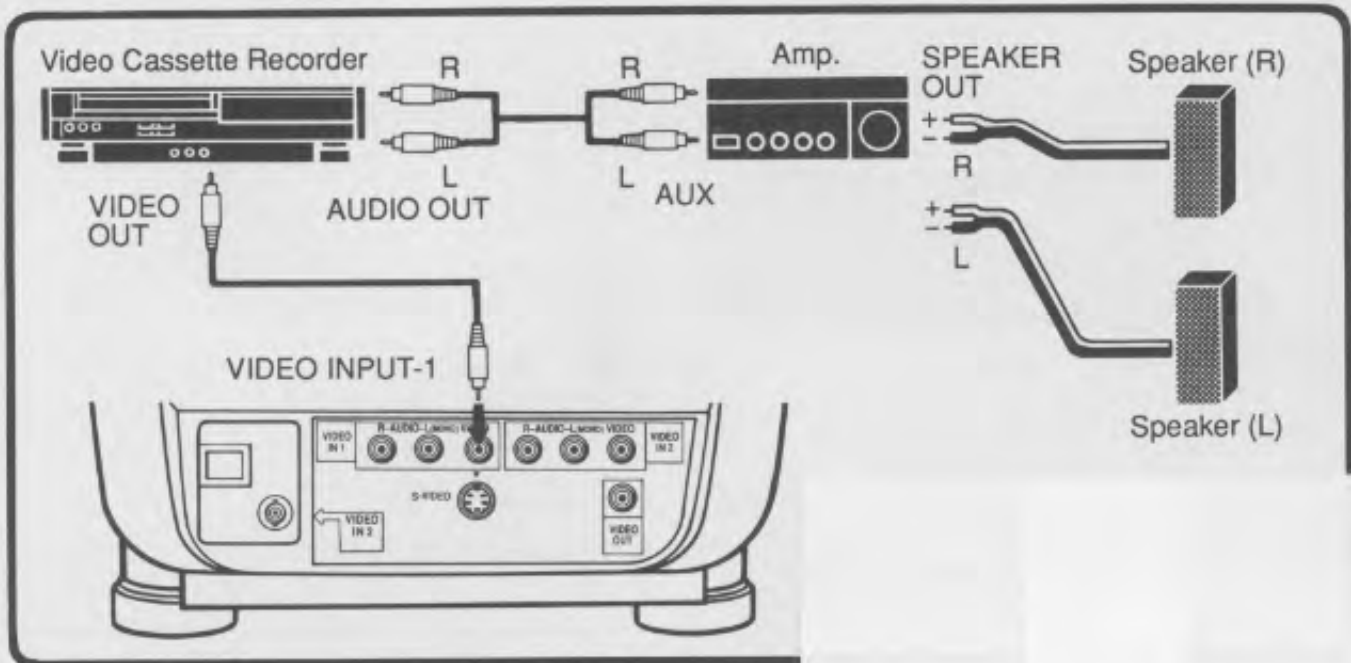
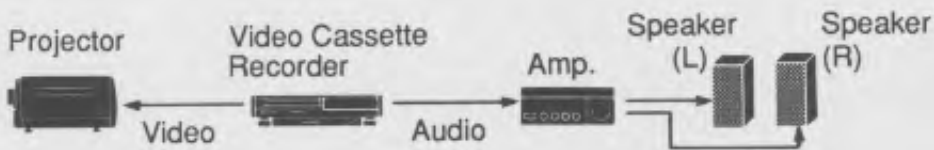
NOTE: Cables for Video Camera/Camcorder not included.

Signals input through the S-Video Input jack are not available through the Monitor Output jack.

12 CONNECTION TO MONITOR OUTPUT



13 CONNECTION TO EXTERNAL AMPLIFIER & SPEAKERS



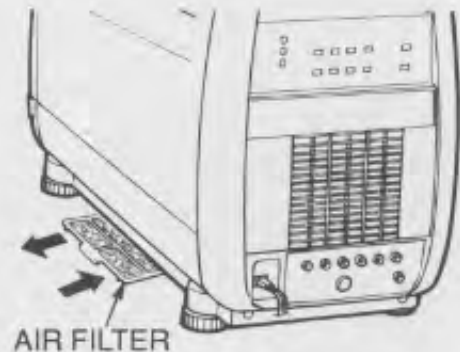
14 AIR FILTER CARE AND CLEANING

The removable air filter prevents dust from accumulating on the surface of the projection lens and projection mirror. Should the air filter become clogged with dust particles, it will reduce the cooling fan's effectiveness and may result in internal heat built up and reduced lamp life.

To clean the air filter, following the cleaning procedures below:

1. Turn the POWER ON/OFF button OFF.
2. Remove the air filter from the bottom of the projector.
3. Clean the air filter with a vacuum cleaner.
4. Replace the air filter. Make sure that it is fully inserted.

! Do not clean with water. Doing so may damage the air filter.
Do not operate the projector with air filter removed.



15 LAMP REPLACEMENT & TEMPERATURE WARNING INDICATORS

LAMP REPLACEMENT INDICATORS

When the lamp nears the end of its service life the picture quality and color quality will deteriorate and the lamp replacement indicator will light red.

! DO NOT ATTEMPT TO REMOVE OR CHANGE THE PROJECTION LAMP. THE LAMP CAN ONLY BE CHANGED BY EIKI AUTHORIZED SERVICE PERSONNEL.

TEMPERATURE WARNING INDICATOR

The TEMPERATURE WARNING INDICATOR lights red when the internal temperature of the projector exceeds the normal temperature.

Possible causes for the temperature warning may be:

1. Ventilation slots at the rear or bottom of the projector are blocked. In such an event, reposition the projector so that ventilation slots are not obstructed.
2. Air filter is clogged with dust particles. Remove dust from the air filter by following instructions in the Air Filter Care and Cleaning section above.

If temperature warning indicator remains on after performing the checks listed above, cooling fan/internal circuits may have malfunctioned. Request service from an authorized Eiki dealer or service station.

16 TROUBLE SHOOTING GUIDE

Please perform these simple checks before calling for service.

SYMPTOMS	PROCEDURES
No power	<ul style="list-style-type: none">• Plug the projector into an AC outlet.• If STAND BY INDICATOR does not light green, check to be sure AC power is being supplied to the outlet.• Press the POWER ON/OFF button to ON.
No sound from built-in speaker	<ul style="list-style-type: none">• Press VOLUME (▲) and (▼) to (▲).• Press SPEAKER button to ON.• Check audio cable connection with audio input source.
Picture is reversed	<ul style="list-style-type: none">• Press REVERSE PICTURE SCANNING button.
Picture blurred or color faded	<ul style="list-style-type: none">• Adjust FOCUS buttons.• Adjust ZOOM buttons.• Reposition the projector to a 90° angle to the projection screen.• Move the projector closer to the screen. <p>NOTE: Moving the projector from a cool temperature location to a warm temperature location may result moisture condensation on the lens. In such an event, leave the projector OFF and wait until condensation disappears.</p>

17 TECHNICAL SPECIFICATIONS

SPECIFICATIONS

Projector Type	Portable LC color video projector
Dimensions (H x W x D)	12.7" (323mm) x 8.7" (221mm) x 24.9" (633mm)
Net Weight	28.2 lbs. (12.8kg)
LCD Panel System	3.1" TFT Active Matrix type (Thin Film Transistor) x 3
Number of Pixels	331,350 (110,450 x 3)
Picture Size(horizontal)	Adjustable to 6.5' (100" Diagonal)
Contrast Ratio	100 : 1
Horizontal Resolution	450 TV lines
Projection Lens	f4.5 lens with 5.51" ~ 10.63" Motor-drive zoom and focus
Lens Aperture	2.36" (60mm)
Throw Distance	6.2' (1.9m) ~ 14.5' (4.4m)
Projection Lamp	Metal Halide, 150 watt
Lamp Life (Typical)	2,000 hours at 120 volt line input
Projection Mirror	Dichroic mirror system
NTSC Video Input Jacks	RCA type x 2, BNC type x1, DIN 4 pin (S-Video) x 1
Monitor Video Output Jack	RCA type x 1
Line Audio Input Jacks	RCA type x 2
Amplifier	Solid-state, 3 watt RMS (T.H.D. 10%)
Built-in Speaker	1.97" (50mm) x 3.54" (90mm) oval x 1
Operating/Image Controls	Projection unit: Power ON/OFF, Volume, Zoom, Focus, Speaker ON/OFF, Reverse Picture Scanning, Video Mode Infrared Remote Control: Power ON/OFF, Volume, Volume mute, Zoom, Focus, Level Control, Video Mode, Auto, Menu (Color, Tint, Contrast, Brightness, Sharpness)
LED Indicators	Power ON/OFF, Stand By, Temperature Warning, Lamp Replacement
Image Elevation Adjustment	Up 5°, Down 5°
Voltage	120V AC, 60Hz
Power Consumption	210 Watts
AC Power Cord	Min. 10' (3m) , 3-Wire (Grounding type plug)
Limited Warranty	1-Year warranty from the date of original purchase for parts and labor(except projection lamp). Projection lamp warranted for 2,000 hours or 90 days whichever occurs first.
Operating Temperature	5°C ~ 35°C
Storage Temperature	-10°C ~ 60°C
Remote Control Battery	(2) AAA type
Standard Accessories	Infrared Remote Control, Owner's Instruction Manual, Protective Dust Cover
Optional Accessories	Adjustable side-throw projection mirror (P/N: IBTR) Ceiling Mount (P/N: CM-150)

EIKI

Audio Visual/Video Products

EIKI INTERNATIONAL, INC.

27882 Camino Capistrano, Laguna Niguel, CA 92677
TEL (714) 582-2511 FAX (714) 364-6405

IN CANADA, EIKI CANADA

101 Thomcliffe Park Drive, Toronto, Ont. M4H 1M2
TEL (416) 467-1161 FAX (416) 467-6070

Printed in Japan
Part No. 610 230 7788 (4AA6P100434-- G8AG)

©1990 Eiki International, Inc.

Free Manuals Download Website

<http://myh66.com>

<http://usermanuals.us>

<http://www.somanuals.com>

<http://www.4manuals.cc>

<http://www.manual-lib.com>

<http://www.404manual.com>

<http://www.luxmanual.com>

<http://aubethermostatmanual.com>

Golf course search by state

<http://golfingnear.com>

Email search by domain

<http://emailbydomain.com>

Auto manuals search

<http://auto.somanuals.com>

TV manuals search

<http://tv.somanuals.com>