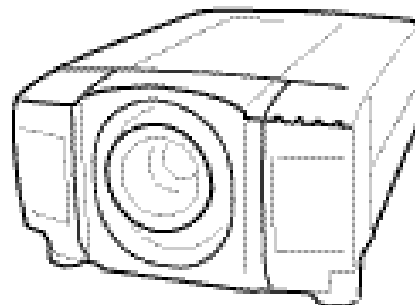


KEY FEATURES: Model LC-SX2U

- Projects 1280 x 1024 pixels, for real SXGA / MAC21 resolution.
- 3000 ANSI Lumens at 90% uniformity with a 350:1 contrast ratio.
- Projects images up to 40' wide (615" diagonal) over distances up to 109'.
- 220 MHz dot clock for compatibility with most workstations.
- Smart data compression/expansion: compatibility up to UXGA / down to VGA.
- Digital Connectivity: DFP graphics adapter & data input, Panel Link™ technology.
- HDTV Ready: 1080i, 720p and 1035i compatible.
- Progressive video scaling resizes the video image beautifully.
- Accepts Composite, Component, and S-Video Input. Displays 4:3 and 16:9.
- Multi-Format Video: NTSC / PAL / SECAM / NTSC 4.43 / PAL-M / PAL-N.
- Power Lens Shift offsets the image in both directions: up & down.
- Wireless remote control with mouse and laser pointer.
- Optional Telephoto, Midrange and WideAngle Lenses.
- 3 Year* Projector Warranty! 90 Days* Lamp Warranty!



LC-SX2U & LC-SX2UL

INCLUDED ACCESSORIES: Owner's Manual. AC Power Cord 10' (3.m). Lens Cap. PCI bus Graphics Adapter. DFP cable 10' (3.m). Computer Input Cable 6' (1.8m) HD-15-HD-15. MAC Adapter. Wireless Remote Control with Mouse and Laser Pointer & 2 x AA batteries. Mouse cables 9' (2.75m) each for PS/2, Serial Port, ADB Port. Wired Remote Control & 2 x AA batteries & 5' (1.5m) cord. Dust Cover.

OPTIONAL ACCESSORIES: Replacement Lamp. MAC Monitor Cable. PCMCIA DFPadapter. DFP cable 33' (10.m). 13W3 Input / Output Adapters for SGI, SUN, IBM, NeXT. Telephoto, Midrange and WideAngle Lenses. Soft Carry Bag with wheels and telescoping handle. Hard Shipping Case with wheels and telescoping handle. Ceiling Mount and Post & Plate. Stacker Stand.

SPECIFICATIONS: Model LC-SX2U

Screen Brightness	3000 ANSI Lumens	Computer: Lower Resolution	Displayed normal or Smart expanded
Illumination Uniformity	90%	Computer: Channels	2
Size of Color Palette	16.7 Million	Computer: Input: Channel 1	HD-15 x 1 & MDR20 (DFP Port) x 1
Contrast Ratio	350:1 (ANSI 100:1)	Computer: Input: Channel 2	5 BNC (R,G,B,H,V) x 1
Horizontal Resolution	800 TV Lines	Computer: Monitor Out	HD-15 x 1
Projection Lamp	440 Watt Metal Halide DC	Computer: Audio Input	Two Sets: (Stereo) RCA x 2 (L & R)
Recommended Lamp Replacement	1,000 Hrs.	Video: Standards	NTSC/PAL/SECAM/NTSC 4.43/PAL-M/PAL-N
Imaging System	1.8" PolySilicon active matrix TFT Panels x 3	Video: Formats Supported	Normal 4:3 and Wide Screen 16:9
Screen Pixels	1280 x 1024 in stripe configuration	Video: Image Sizing	Progressive Video Scaling
Total Pixels	3,932,160 (1280 x 1024) x 3	Video: Channels	2
Lens Type	Power Zoom and Focus	Video: Systems	Composite, Component, S-Video
Lens Speed & Focal Length	f:2.0-2.3; 2.98-3.84 in. (75.7-97.5 mm.)	Video: Input Connections	Two Sets: BNC x 3, S-Video x 1
Lens Ratios	Zoom Max:Min: 1.29:1; Throw:Width: 2.1-2.6:1	Video: Audio Input	Two Sets: (Stereo) RCA x 2 (L&R)
Image Diagonal	.31 ~ 615 in.	Video: Monitor Output Systems	Composite, Component, S-Video
Image Width	2.6 ~ 40 ft. (0.8 ~ 12.2 m.)	Video: Audio Monitor Output	(Stereo) RCA x 2 (L & R)
Throw Distance	.5 ~ 109 ft. (1.5 ~ 33.2 m.)	Audio Output: Amplifier	3 Watts RMS (each L&R) Stereo
Front Elevation / Maximum Tilt	up to 4° up	Audio Output: Speakers	2 x 3.5 in. (5 x9 cm) x 2
Anti-Keystone	Power Lens Shift, Ratio (T:B) 10:0-0:10	Fan Noise	45 dB
Scanning Frequency	Auto: H Sync. 15-120kHz; V Sync. 50-120 Hz.	Size (H x W x D)	.9.7x15.4x23.1 in. (245 x 390 x 585 mm.)
Dot-Clock	220 MHz.	Weight	39.3 lbs. (17.8 kg.)
Image Orientation	Normal, Reversed (projector does not invert)	Packaged Size (H x W x D)	.16.3x21.1x28.8 in. (412 x 534 x 730 mm.)
Local Control	Full Function	Packaged Weight	52.9 lbs. (24 kg.)
Remote Projector & Mouse Ctrl	Wireless (Infra Red x 1) w/ Pointer	Power Requirements	100-120/200-240V AC, 50/60 Hz.
Mouse Control Ports	Two Sets: 12 Pin DIN x 1, USB port x 1	Power Consumption / Heat	.670 Watts / 2,287 BTU /hr. (577 KC/hr.)
Remote Projector Control	Wireless (Infra Red) / Wired x 1	Power Cord	10' (3.m) Type 3, Detachable
Wired Remote Jack	Mini Stereo x 1	Safety Compliance	UL Listed
RS-232 Control Port	(Serial Port type) Dsub9 x 1	User Maintenance	Clean Air Filter, Replace Lamp
Computer Native Resolution	1280 x 1024 (SXGA/MAC 21)	Warranty Projector	3 Yr. / 6000 Hr. *(Parts & Labor to Correct Defects)
Computer Compatibility	UXGA, SXGA, XGA, SVGA, VGA & MAC	Warranty Lamp	.90 Days / 500 Hr. * (Pro-Rata Replacement of Failed Lamp)
Computer: Higher Resolution	Displayed panned or Smart compressed		* Whichever occurs first.

The following warning is required by the U.S. FDA and pertains to the laser pointer in the wireless remote control of this projector.
Caution! Laser Radiation – Do not stare into beam. Max. Output: 1 mW. Wave Length: 660 +/- 20 mm. Class II Laser Product.

LC-SX2UL (Without Lens)

This model is ready for the installation of an optional auxillary lens selected from an extensive list of fixed, manual zoom, and power zoom lenses with throw-to-width ratios ranging from approximately 1:1 up to more than 12:1. Lens and weight specifications vary.

Specifications subject to change without notice. ©2000 EIKI International, Inc. Printed in the USA. February 10, 2000

Eiki International, Inc., 26794 Vista Terrace Dr., Lake Forest, CA 92630 Tel: 800-242-3454; Fax: 800-457-3454, E-mail: infousa@eiki.com
In Canada, 310 First St. - Unit 2, P.O. Box 156, Midland, ON L4R 4K8 Phone: 800-563-3454, Fax: 800-567-4069 E-mail: infocanada@eiki.com

Fax-on-Demand: (Toll Free) 877-345-4329 • Visit our World Wide Web site: <http://www.eiki.com>

Free Manuals Download Website

<http://myh66.com>

<http://usermanuals.us>

<http://www.somanuals.com>

<http://www.4manuals.cc>

<http://www.manual-lib.com>

<http://www.404manual.com>

<http://www.luxmanual.com>

<http://aubethermostatmanual.com>

Golf course search by state

<http://golfingnear.com>

Email search by domain

<http://emailbydomain.com>

Auto manuals search

<http://auto.somanuals.com>

TV manuals search

<http://tv.somanuals.com>