

EIKI

**OWNER'S
INSTRUCTION
MANUAL**

PORTABLE OVERHEAD PROJECTOR

OHP-4100

EIKI INDUSTRIAL CO., LTD.

IMPORTANT SAFEGUARDS

When using your overhead projector, basic safety precautions should always be followed, including the following:

1. Read and understand all instructions.
2. Close supervision is necessary when any equipment is used by or near children. Do not leave projector unattended while in use.
3. Care must be taken as burns can occur when changing lamp.
4. Do not operate projector with a damaged cord or if projector has been dropped or damaged — until it has been examined by a qualified service technician.
5. Do not let the cord hang over edge of the table or counter or touch hot surfaces.
6. If an extension cord is necessary, a cord with a suitable current rating should be used. Cords rated for less amperage than the projector may overheat. Care should be taken to arrange the cord so that it will not be tripped over or pulled.
7. Always unplug projector from electrical outlet when not in use. Never yank cord to pull plug from outlet. Grasp plug and pull to disconnect.
8. Let projector cool completely before putting away. Return cord to dust cover cord storage space provided when storing projector.
9. To protect against electrical shock hazards, do not operate this projector in the rain or when wet.
10. To avoid electric shock hazard, do not disassemble this projector, but refer to a qualified service technician when service or repair work is required. Improper repairs or reassembly can cause electric shock hazard when the projector is used subsequently.
11. Do not remove lamp house cover when projector motor is running.
12. Observe the caution plate on the rear of top cover when replacing lamp or fuse.
13. Do not look directly at an operating lamp with unprotected eyes.
14. Disconnect this unit from its source of supply before replacing the projection lamp.
15. Connect this appliance to a grounded outlet.

SAVE THESE INSTRUCTIONS

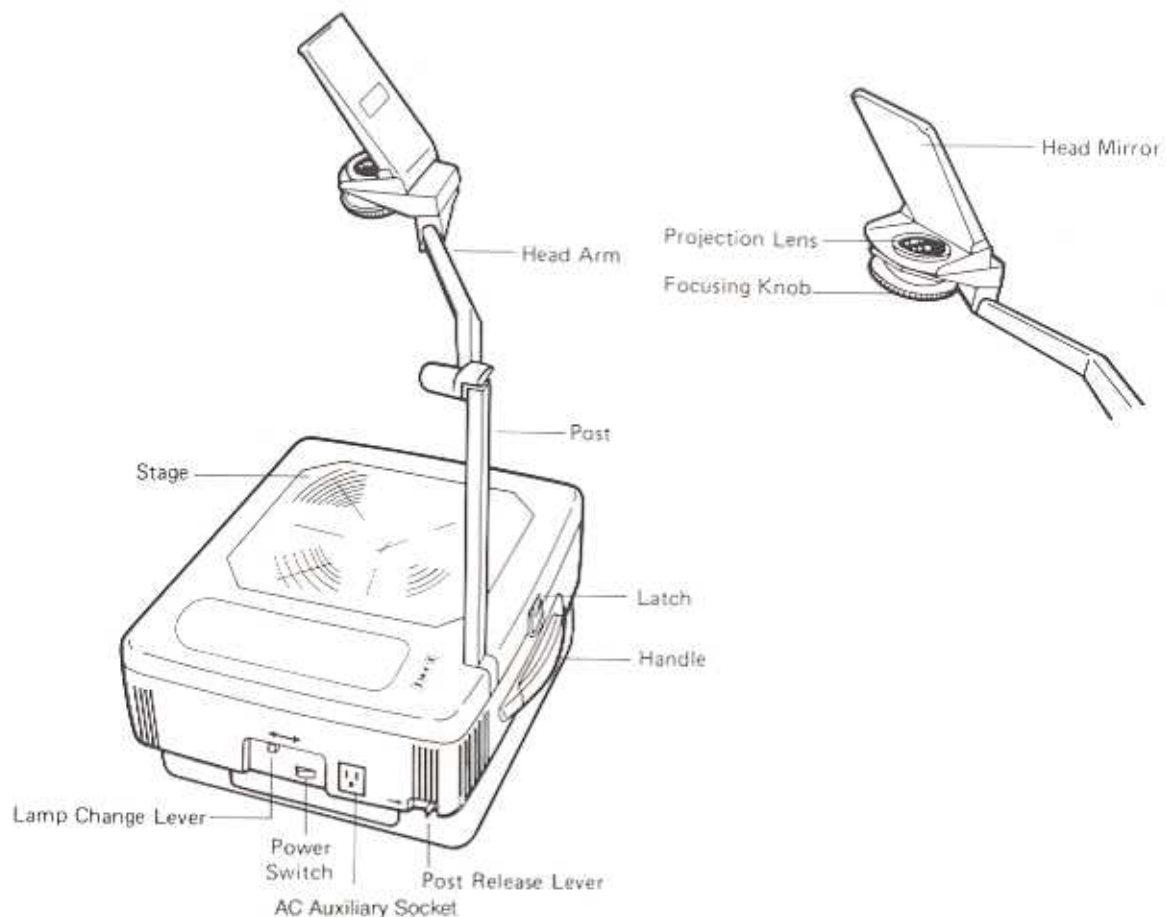
TABLE OF CONTENTS

	Page No.
1. SPECIFICATIONS	1
2. MAIN PARTS OF THE PROJECTOR	1
3. SETTING UP	2—3
4. PROJECTING	3
5. FOLDING DOWN	4—5
6. LAMP REPLACEMENT	5—6
7. FUSE REPLACEMENT	6
8. CARE AND CLEANING	6
9. TROUBLE SHOOTING GUIDE	6
10. WARRANTY INFORMATION	7

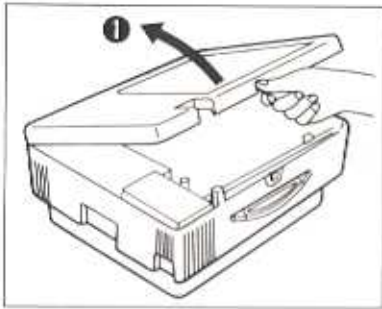
1. SPECIFICATIONS

Power Requirements	120V 60Hz, 480VA.
Lamp	FXL 82V 410W (or ENX 82V 360W, ENX-5 86V 360W)
Cooling	Fan cooled
Safety Interlock	Internal switches shut off power when top cover is opened or when unit is folded down
Fuse	FGTA 250V 7A
Power Cord	10 feet (3m)
Lens	275 – 320mm, 3 element
Magnification	2.8x to 10x
Stage Size	10.5" × 10.5" (267 × 267mm)
Tilt Angle	22° Maximum
Dimensions	Open 14.7" (W) × 17.72" (D) × 28.27" (H) 360(W) × 450(D) × 718mm(H) Close 14.7" (W) × 17.80" (D) × 7.4" (H) 360(W) × 450(D) × 188mm(H)
Weight	16 lbs (7.4Kg)

2. MAIN PARTS OF THE PROJECTOR



3. SETTING UP



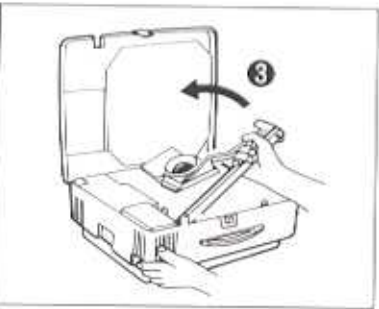
■ OPEN THE STAGE COVER

- ① To open stage, release latch and lift.



■ RELEASE POST LOCK

- ② Release the post lock, and raise the post and head assembly.



■ RAISE THE HEAD AND POST

- ③ Raise head and post assembly until it is vertical and locked into position.



■ SWING UP THE HEAD

- ④ Push the head arm away from the post while
⑤ rotating the head arm counter clockwise until it locks into position.



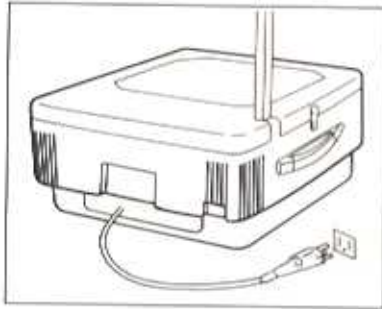
■ RAISE THE HEAD MIRROR

- ⑥ Lift the mirror to the desired position. Avoid touching the mirror surface.



- CLOSE STAGE COVER

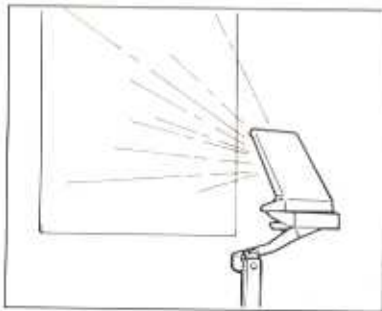
- ⑦ Position the projector to the screen.



- ELECTRICAL CONNECTION

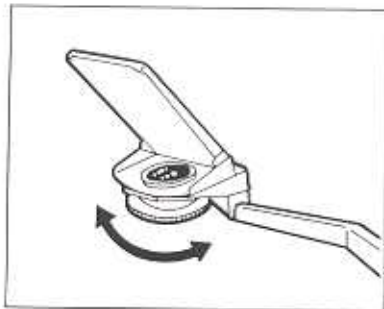
Pull out the required cable length and connect to your standard outlet.

4. PROJECTING



- SCREEN SIZE

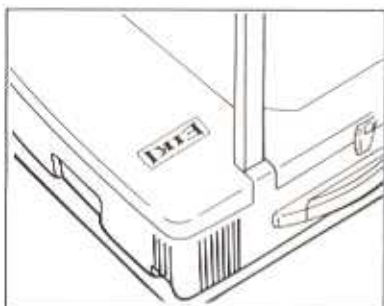
Adjust the projection distance by moving the projector to correspond with available screen size. Position to the height of the screen by adjusting the mirror angle.



- FOCUS

Adjust the focus by rotating the focus knob for the sharpest center image. Poor edge focus is usually caused by excessive keystoneing.

5. FOLDING DOWN

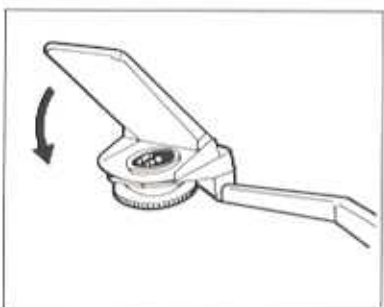


■ LAMP COOLING

Switch lamp "OFF" and allow fan to cool the lamp before folding.

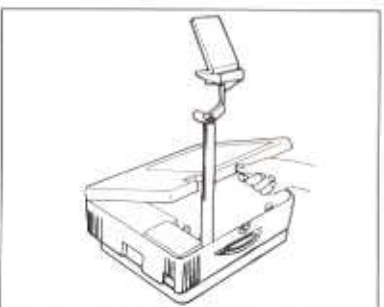
Disconnect power supply cord.

Retract cord into retractable cord storage, or return cord to dust cover cord storage space.



■ FOLD DOWN THE MIRROR

It is important to fold the mirror completely before folding the head.



■ OPEN STAGE TOP



■ FOLD DOWN THE HEAD

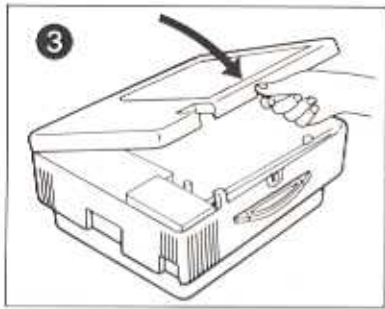
Push the head arm away from the post while rotating the head arm clockwise until it locks in a folded position.



■ FOLD DOWN THE HEAD ARM

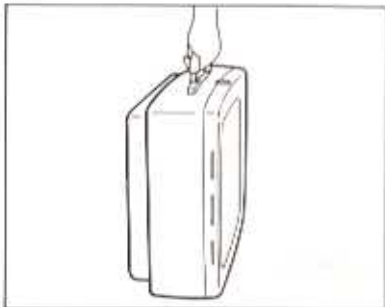
1 Push, release to fold down post.

2 Fold down arm and the post until the post is firmly latched.



■ CLOSE STAGE COVER

- ③ Close and secure the latch. Projector can now be safely stored or transported.

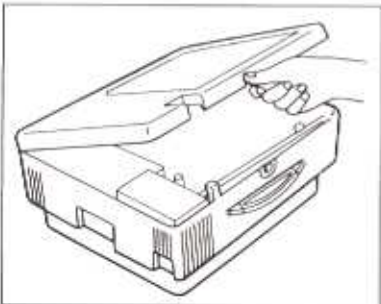


■ CARRYING

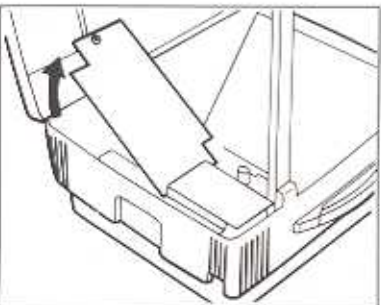
Transport the projector with its convenient carrying handle.

6. LAMP REPLACEMENT

CAUTION: Disconnect power and allow lamp to cool before opening lamp house cover.

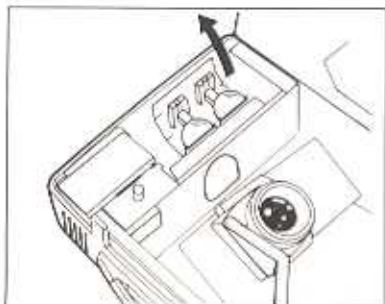


■ OPEN THE STAGE COVER



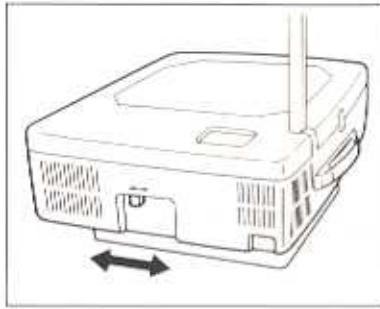
■ OPEN THE LAMP HOUSE COVER

Loosen a screw, and lift to remove completely to change lamp.



■ REMOVING THE LAMP

Pull back a lamp holder lever and carefully remove the defective lamp. Replace with the same type lamp FXL 82V 410W. (Useable ENX 82V 360W or ENX-5 86V 360W.)

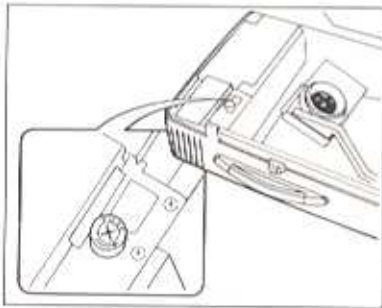


■ SPARE LAMP

Spare lamp is installed in the built-in lamp changer. To change lamp, switch the lever to the opposite position.

7. FUSE REPLACEMENT

CAUTION: Disconnect power before moving fuse.



■ CHANGING FUSE

1. Locate the fuse holders under the stage near the post.
2. Use a ⊕Phillips screwdriver, unscrew the fuse holder cap.
3. Remove and inspect the fuse. Replace only with fuses of the same current rating.

8. CARE AND CLEANING

This product has been designed to give years of trouble free service. A little care and cleaning by you will insure like-new performance in year to come.

- After each use lightly wipe off the stage fresnel with a soft silicone cloth.
DO NOT USE ANY CLEANING SOLVENTS !
- Clean projection lens with lens cleaning solution and lens tissues or soft cloth.
- Clean front surface mirror with soft cloth and lens cleaning solution.
- Clean outside case with a damp cloth and mild soap solution.
- Always store with dust cover in place.

9. TROUBLE SHOOTING GUIDE

SYMPTOM	CHECK
<ul style="list-style-type: none"> • Cooling fan does not run when main switch is on. 	<ol style="list-style-type: none"> 1. Check if power cord is plugged in. 2. Check if there is power to electrical outlet. 3. Main fuse is blown.
<ul style="list-style-type: none"> • Lamp does not come on when switch in "LAMP" position. 	<ol style="list-style-type: none"> 1. Defective lamp or lamp base not completely seated in the lamp socket. 2. Main fuse is blown.
<ul style="list-style-type: none"> • Poor focus. 	<ol style="list-style-type: none"> 1. Adjust focusing knob. 2. Transparency is not flat on the stage.
<ul style="list-style-type: none"> • Uneven illumination. 	<ol style="list-style-type: none"> 1. Dirty or damaged stage lens. 2. Defective or incorrect lamp.

10. WARRANTY INFORMATION

LIMITED WARRANTY

Eiki International Corporation warrants this product to the original purchaser to be free from defective materials and workmanship, and agrees to repair any such defect or to furnish a new or equal part in exchange through an Authorized Eiki Service Dealer or Station.

This warranty does not apply to appearance items nor to any product whose exterior has been damaged or defaced, nor to any product subjected to misuse, abnormal service or handling, nor to any product altered or repaired by other than an Authorized Eiki Service Dealer or Station. The provision of this warranty does not apply to any products purchased or serviced outside Canada or the United States, its territories or possessions.

The original purchaser is entitled to have defective parts replaced without charge for parts or labor during the warranty period of one year from date of purchase. The purchaser is responsible to transport the equipment to an Authorized Eiki Service Dealer or Station, and to present proof of purchase.

This shall be the exclusive written warranty of the original purchaser and neither this warranty nor any other warranty expressed or implied shall extend beyond the period of one year. In no event shall Eiki be liable for consequential economic damage or consequential damage to property. Some States do not allow a limitation on how long an implied warranty lasts or an exclusion of consequential damage, so the above limitation and exclusion may not apply to you. In addition, this warranty gives specific legal rights and you may have other rights which vary from State to State.

11. SERVICE INFORMATION

To obtain service, contact your nearest Authorized Eiki Service Dealer.

For information as to the name and address of the nearest Authorized Eiki Service Dealer call Eiki International, (714)457-0200.

EIKI INTERNATIONAL, INC.

26794 Vista Terrace Drive
Lake Forest, CA92630-8113
Tel: (714) 457-0200 • Fax: (714) 457-7878

EIKI CANADA

101 Thorncliffe Park Drive
Toronto, Ontario M4H 1M2
CANADA
Tel: 416-467-1161 • Fax: 416-467-6070

MEMO



EIKI INDUSTRIAL CO., LTD.

4-12 Manzai-cho Kita-ku

Osaka, JAPAN

Tel: 6-311-9479 • Fax: 6-311-8486

EIKI INTERNATIONAL, INC.

26794 Vista Terrace Drive

Lake Forest, CA92630-8113

Tel: (714) 457-0200 • Fax: (714) 457-7878

EIKI CANADA

101 Thorncliffe Park Drive

Toronto, Ontario M4H 1M2

CANADA

Tel: 416-467-1161 • Fax: 416-467-6070

Free Manuals Download Website

<http://myh66.com>

<http://usermanuals.us>

<http://www.somanuals.com>

<http://www.4manuals.cc>

<http://www.manual-lib.com>

<http://www.404manual.com>

<http://www.luxmanual.com>

<http://aubethermostatmanual.com>

Golf course search by state

<http://golfingnear.com>

Email search by domain

<http://emailbydomain.com>

Auto manuals search

<http://auto.somanuals.com>

TV manuals search

<http://tv.somanuals.com>