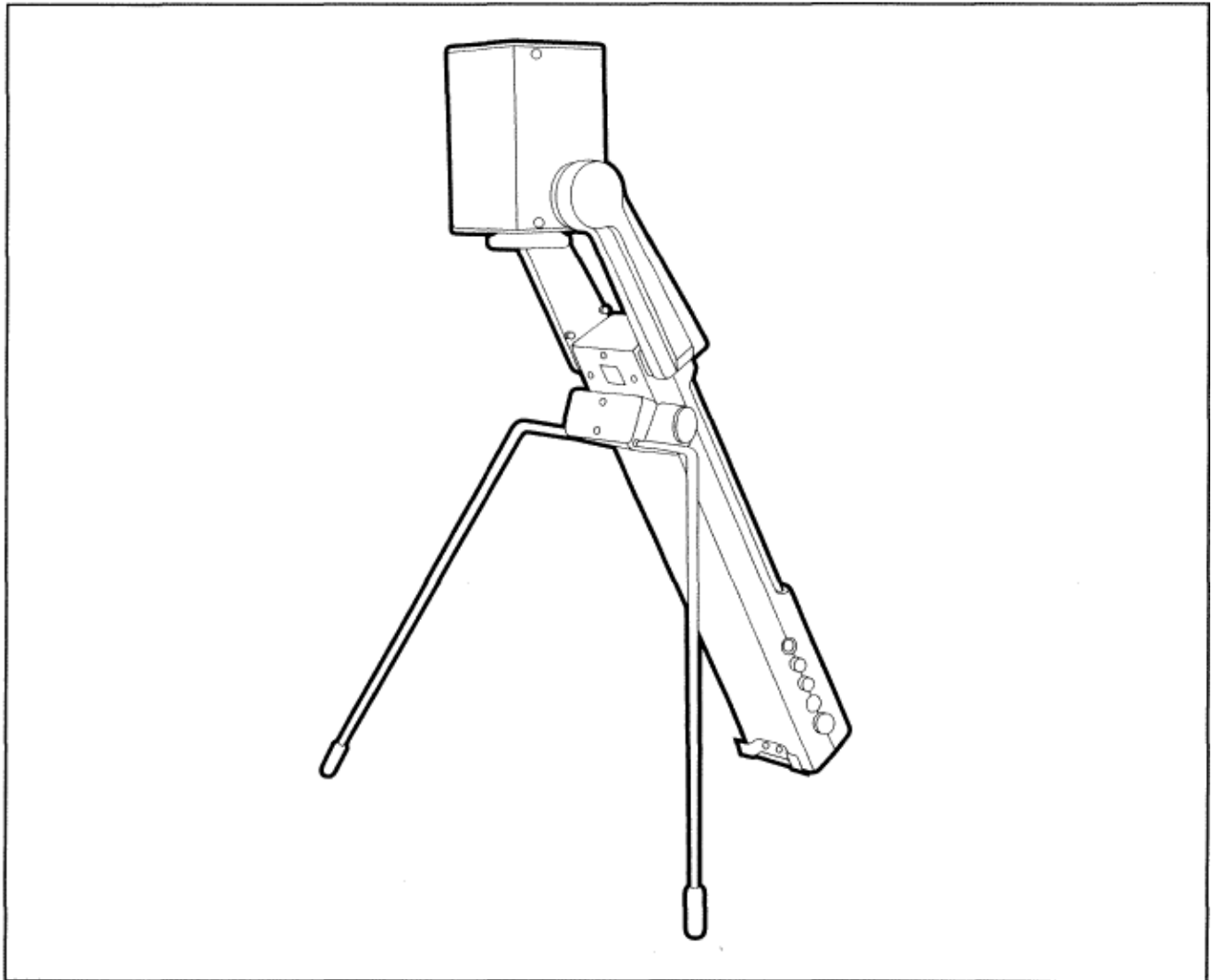


**EIKI**

**EIKI VISUAL SYSTEM PRESENTER**

**V-2500**

**OWNER'S INSTRUCTION MANUAL**



**EIKI INDUSTRIAL CO., LTD.**



## WARNING

To reduce the risk of fire or electric shock, do not expose this unit to rain or moisture.



The lightning flash with arrowhead symbol, within an equilateral triangle, is intended to alert the user to the presence of uninsulated “dangerous voltage” within the unit’s enclosure that may be of sufficient magnitude to constitute a risk of electric shock to persons.



The exclamation point within an equilateral triangle is intended to alert the user to the presence of important operating and maintenance (servicing) instructions in the literature accompanying the unit.

## IMPORTANT SAFEGUARDS

1. Read Instructions - All the safety and operating instructions should be read before the unit is operated.
2. Retain Instructions - The safety and operating instructions should be retained for future reference.
3. Heed Warnings - All warnings on the unit and in the operating instructions should be adhered to.
4. Follow Instructions - All operating and use instructions should be followed.
5. Cleaning - Unplug this unit from the wall outlet before cleaning. Do not use liquid cleaners or aerosol cleaners. Use a damp cloth for cleaning.
6. Attachments - Do not use attachments not recommended by the unit manufacturer as they may cause hazards.
7. Water and Moisture - Do not use this unit near water - for example, near a bath tub, wash bowl, kitchen sink, or laundry tub; in a wet basement; or near a swimming pool; and the like.

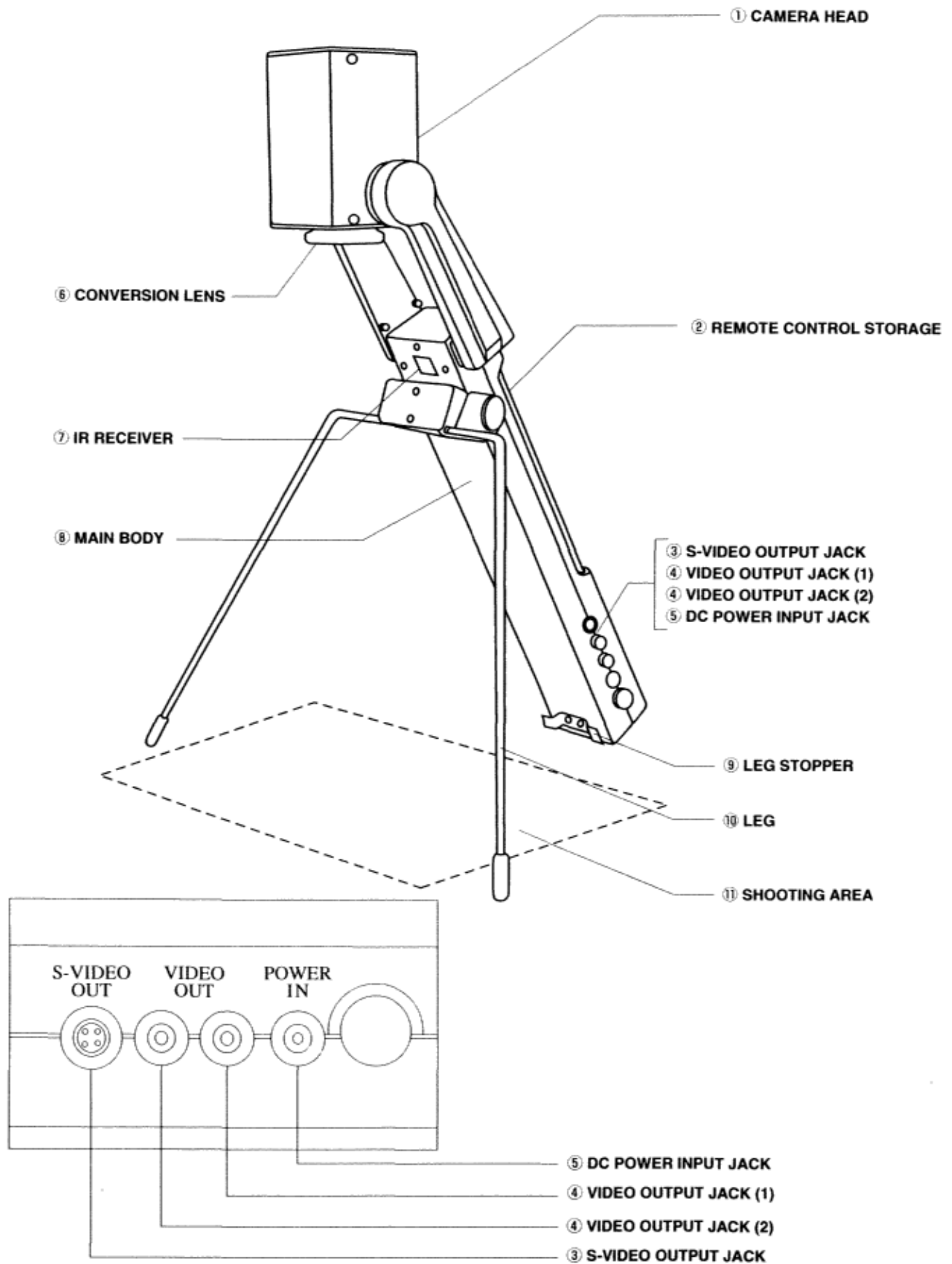
8. Accessories - Do not place this unit on an unstable can, stand, tripod, bracket, or table. The unit may fall, causing serious injury to a child or adult, and serious damage to the unit. Use only with a can, stand, tripod, bracket, or table recommended by the manufacturer's instructions, and should use a mounting accessory recommended by the manufacturer.
9. A unit and ca~ combination should be moved with care. Quick stops, excessive force, and uneven surfaces may cause the unit and ca~ combination to overturn.
10. Ventilation - Slots and openings in the unit are provided for ventilation and to ensure reliable operation of the unit and to protect it from overheating, and these openings must not be blocked or covered. The openings should never be blocked by placing the unit on a bed, sofa, rug, or other similar surface. This unit should not be placed in a built-in installation such as a bookcase or rack unless proper ventilation is provided or the manufacturer's instructions have been adhere to.
11. Power Sources - This unit should be operated only from the type of power source indicated on the marking label. If you are not sure of the type of power supply to your home, consult your product dealer or local power company.
12. Grounding polarization - This unit may be equipped with a three-wire grounding-type plug, a plug having a third(grounding) pin. This plug will only fit into a grounding-type power outlet. This is a safety features. If you are unable to insert the plug into the outlet, contact your electrician to replace your obsolete outlet. Do not defeat the safety purpose of the grounding-type plug.
13. Power-Cord protection - Power-supply cords should be routed so that they are not likely to be walked on or pinched by items placed upon or against them, paying particular attention to cords at plugs, convenience receptacles, and the point where they exit from the unit.
14. Lighting - For added protection for this unit during a lighting storm, or when it is left unattended and unused for long periods of time, unplug it from the wall outlet and disconnect cable system. this will prevent damage to the unit due to lighting and power-line surges.

15. Overloading - Do not overload wall outlets, extension cords, or integral convenience receptacles as this can result in a risk of fire or electric shock.
16. Object and Liquid Entry - Never push objects of any kind into this unit through openings as they may touch dangerous voltage points or shod-out pads that could result in a fire or electric shock. Never spill liquid of any kind on the unit.
17. Servicing - Do not attempt to service this unit yourself as opening or removing covers may expose you to dangerous voltage or other hazards. Refer all servicing to qualified service personnel.
18. Damage Requiring Service - Unplug this unit from the wall outlet and refer servicing to qualified service personnel under the following conditions.
  - a) When the power-supply cord or plug is damaged.
  - b) If liquid has been spilled, or objects have fallen into the unit.
  - c) If the unit has been exposed to rain or water.
  - d) If the unit does not operate normally by following the operating instructions, Adjust only these controls that are covered by the operating instructions as an improper adjustment of other controls may result in damage and will often require extensive work by a qualified technician to restore the unit to its normal operation.
  - e) If the unit has been dropped or damaged in any way.
  - f) When the unit exhibits a distinct change in performance - this indicates a need for service.
19. Replacement pans - When replacement pans are required, be sure the service technician has used replacement pans specified by the manufacturer or have the same characteristics as the original pan. Unauthorized substitutions may result in fire, electric shock, or other hazards.
20. Safety Check - Upon completion of any service or repairs to this unit. ask the service technician to perform safety checks to determine that the unit is in proper operating condition.
21. Heat - The unit should be situated away from heat sources such as radiators, heat registers, stoves, or other products(including amplifiers) that produce heat.

## **SAVE THESE INSTRUCTIONS**

# TABLE OF CONTENTS

1. DESCRIPTION AND CONTROLS	2-3
2. SETTING-UP REMOTE CONTROL UNIT	4
3. OPERATION OF REMOTE CONTROL	5
4. SETTING-UP THE UNIT	6
5. HOW TO CONNECT TO A TV MONITOR AND EXTERNAL EQUIPMENT	7
6. HOW TO USE AUTO FOCUS	8
7. HOW TO DISPLAY	9
8. TROUBLESHOOTING	9
9. SPECIFICATIONS	10-11



# **1. DESCRIPTION AND CONTROLS**

## **1. CAMERA HEAD**

Rotate to shoot the printed materials and three-dimensional objects in shooting area and to shoot the distance objects.

## **2. REMOTE CONTROL STORAGE**

Remote control unit works also when seating in the housing.

## **3. S-VIDEO OUTPUT JACK**

Used to connect TV monitor or VCR with S-VIDEO input jack.

## **4. VIDEO OUTPUT JACK (2)**

Used to connect TV monitor or VCR with video input jack.

NOTE : S-VIDEO AND VIDEO signal are output simultaneously and the unit can be connected to TV monitor with S-VIDEO input jack and VIDEO input jack respectively.

## **5. DC POWER INPUT JACK**

Used to connect DC plug of AC adapter.

## **6. CONVERSION LENS**

Remove this lens to shoot the distance objects.

## **7. IR RECEIVER**

## **8. MAIN BODY**

## **9. LEG STOPPER**

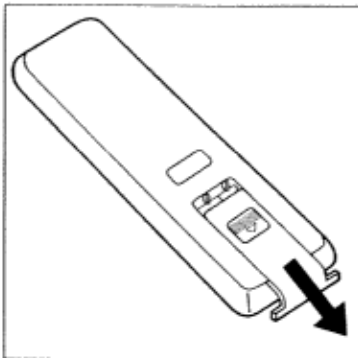
## **10. LEG**

## **11. SHOOTING AREA**

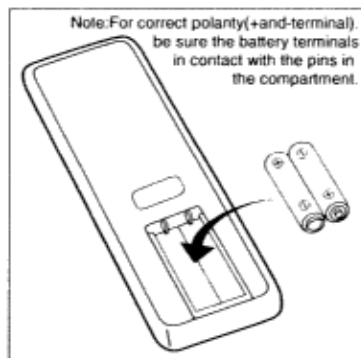
## 2. SETTING-UP REMOTE CONTROL UNIT

### REMOTE CONTROL BATTERY INSTALLATION

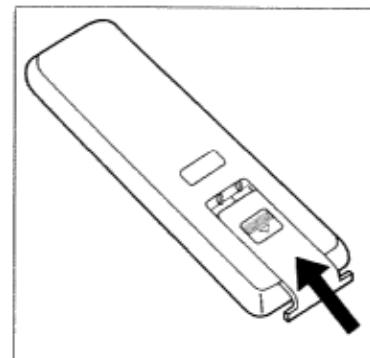
1. Remove the battery compartment lid.



2. Slide the batteries into the compartment.



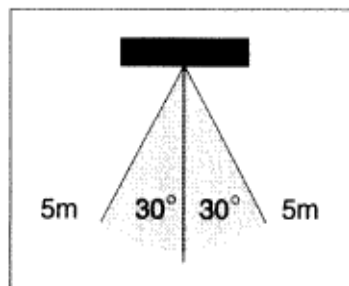
3. Mount the compartment lid.



**To insure safe operation, please observe the following precautions**

- Use (2) AA type batteries.
- Do not use different type batteries and a new and with a used battery.
- Do not discharge and disassemble a battery.
- Be sure the battery polarity should be set properly and do not contact anode and cathode terminal.
- Remove the batteries from the compartment when the unit is not used.
- If the batteries have leaked on the remote control, carefully wipe the case clean and install new batteries.

### USING THE REMOTE CONTROL UNIT



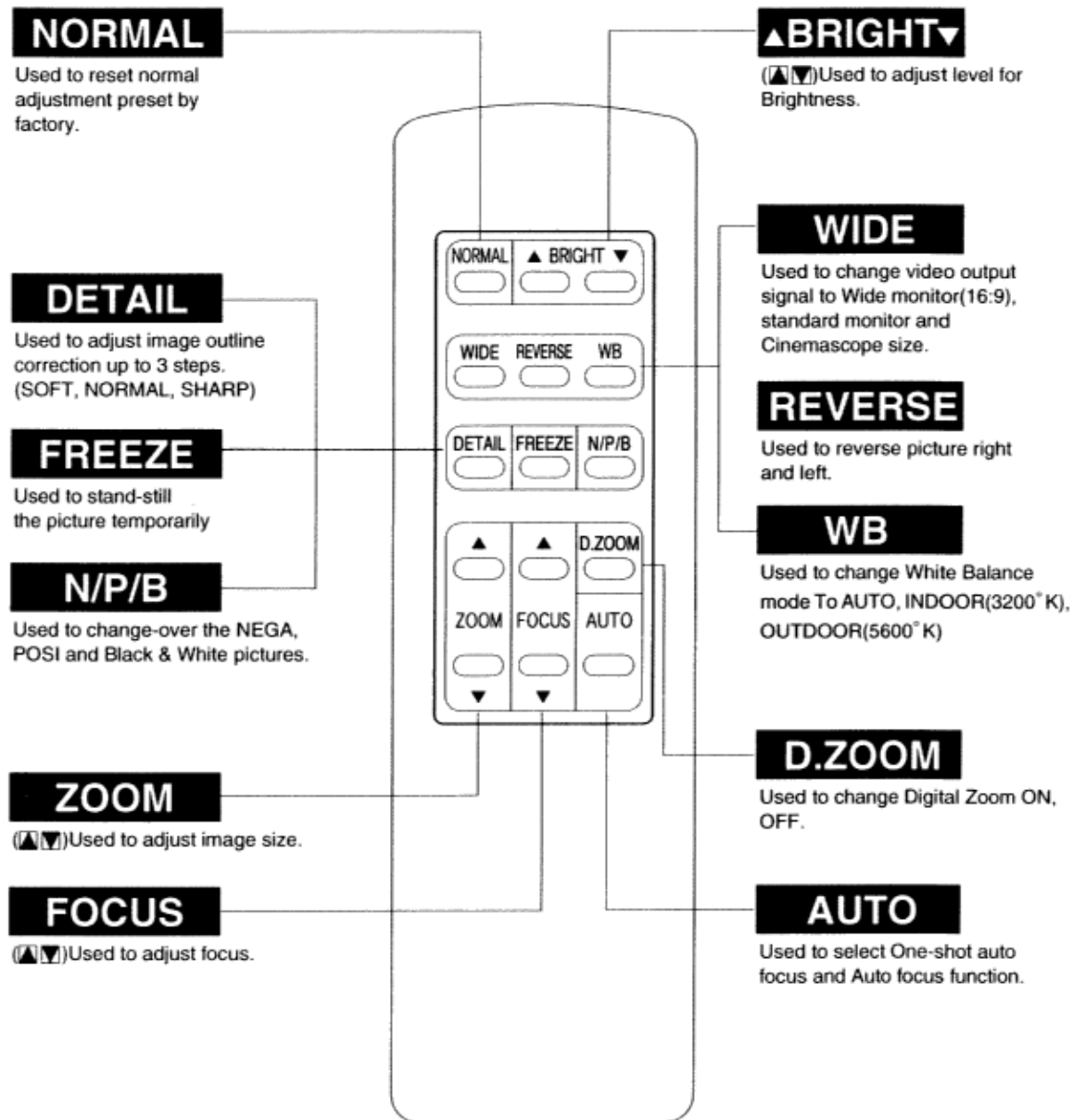
The maximum operating range for the remote control is about 5m, 60° for the front of unit

#### CAUTION

- Avoid sun light and strong light from the lighting equipment.
- Avoid contact with water.
- Do not drop and give strong impact the remote control unit.
- Avoid heat and humidity.



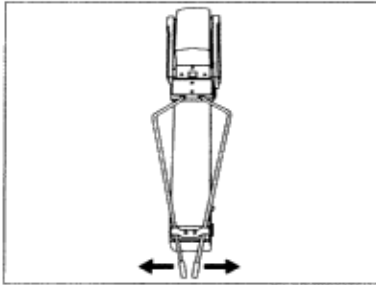
# 3. OPERATION OF REMOTE CONTROL



## CAUTION

1. Memory Function  
The setting orders are memorized even if the unit is OFF.  
Press NORMAL button to restore the setting orders and return to factory preset.
2. When press on the Digital Zoom, Electronic Zoom function operates after 18 times optical zooming.

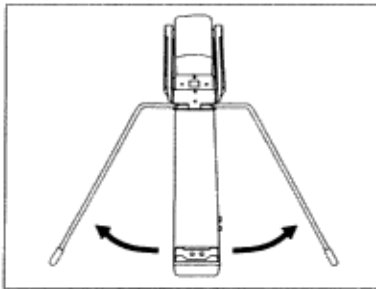
## **4. SETTING- UP THE UNIT**



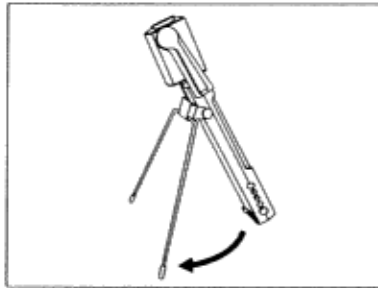
### **CAUTION**

Disconnect power for setting up the unit.

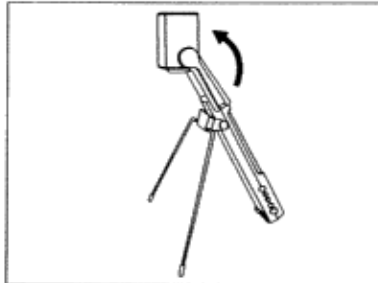
**1.** Remove two legs from Leg stopper.



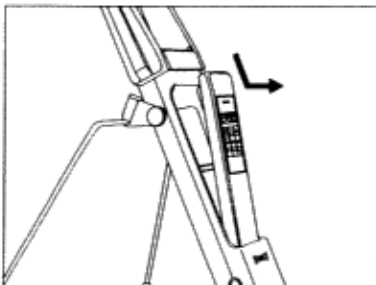
**2.** Spread two legs to the set up position.



**3.** Lift up the legs to the set up position.



**4.** Rotate Camera head until Lens is aiming just below.

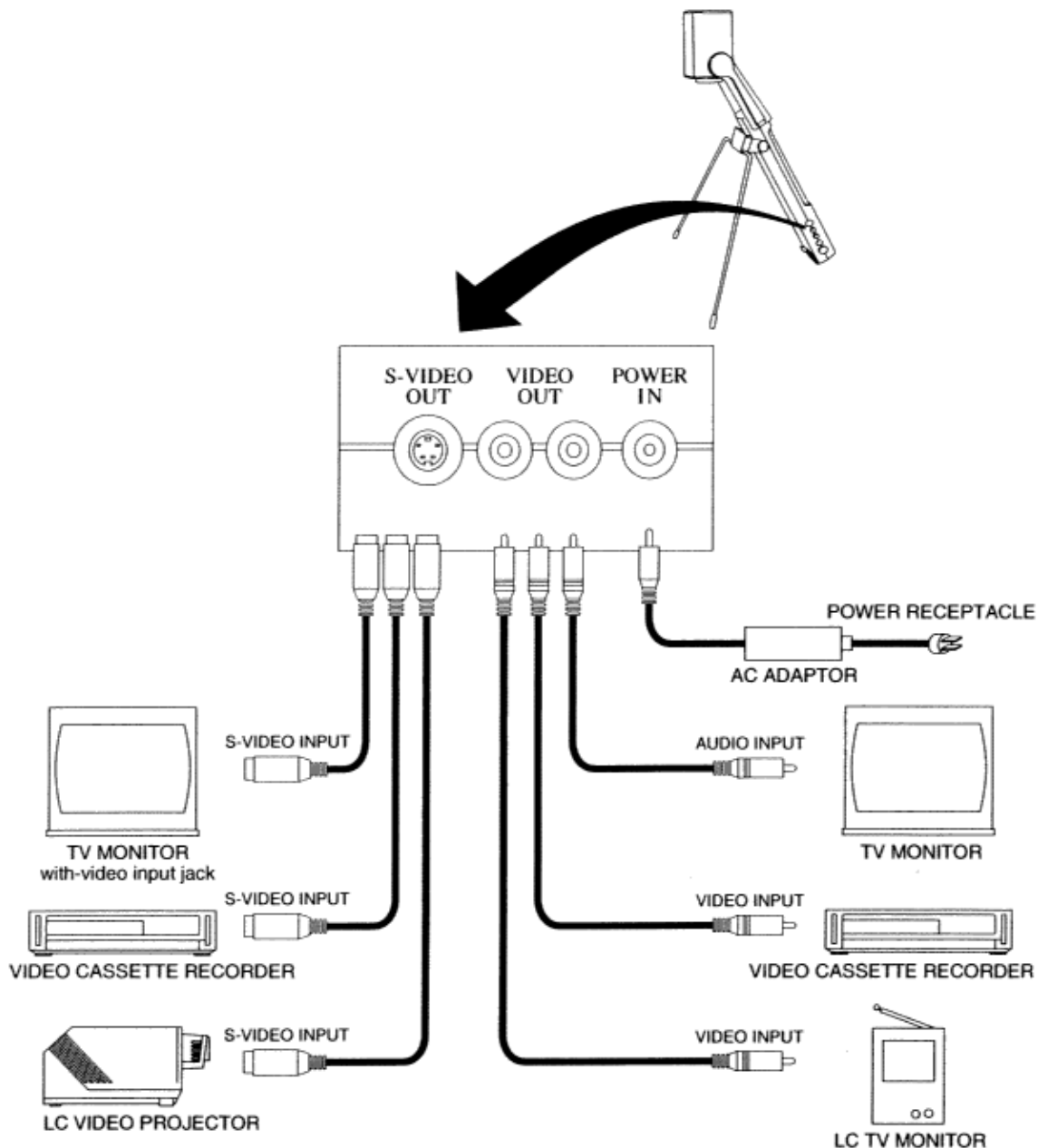


**5.** Remove a Remote control unit. (it also works while it is seated in the Remote control storage.)

## **5. HOW TO CONNECT TO A TV MONITOR AND EXTERNAL EQUIPMENT**

**CONNECT THE UNIT AND TV MONITOR WITH VIDEO CABLES SUPPLIED AS STANDARD ACCESSORIES.**

1. Video output jack of the unit connected to video input jack (S-VIDEO or VIDEO) of TV monitor with video cable.
2. How to use S-VIDEO output jack.  
S-VIDEO and VIDEO signal are output simultaneously and the unit can be connected to a TV monitor with S-VIDEO input jack and VIDEO input jack respectively. S-VIDEO cables may be obtained locally.



## ***6. HOW TO USE AUTO FOCUS***

### **There are three kinds of auto focus mode**

**1. One-Shot Auto Focus Mode**

This mode is to fix the focus just once when an image is set up on screen, so it is proper for the still material or object.

**2. Auto Focus Mode**

This mode is to let focusing meet each image, so it is proper for the moving material or when materials are changed frequently.

**3. Electric Focus Mode**

This mode is to move lens by FOCUS switch and get focusing.

When FOCUS switch is operated, One-Shot Auto Focus Mode and Auto Focus Mode are released, and change to Electric Focus Mode.

And if either ZOOM switch or AUTO switch is operated, it changed to One-Shot Auto Focus.

### **A. One-Shot AUTO Focus**

When power on the unit, LED of POSI switch lights, and LED of AUTO lights on and off at the first setting up. When LED of AUTO goes out, it is ready for One-Shot Auto Focus Mode.

1. When zooming is set up to position, One-Shot Auto Focus works to get focus.
2. When out of focus, push AUTO switch once, and adjust focusing.

### **B. Change to Auto Focus Mode**

1. Pushing AUTO switch about 3 seconds until LED of AUTO switch starts to light on and off, and stop pushing the switch after LED of AUTO will light. Now Auto Focus works.
2. By pushing buttons other than [POSI/NEGA], Auto Focus mode is canceled.

### **C. Change to Electric Focus Mode**

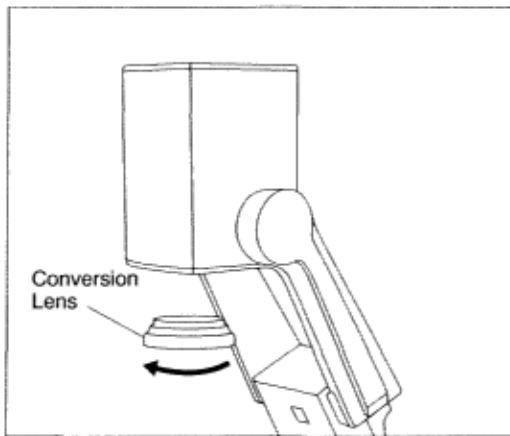
1. When three-dimensional object with different height is displayed but focus is not obtained properly, then push FOCUS + or - switch to change Electric Focus Mode so as to adjust focusing.
2. By pushing buttons other than [ZOOM] or [AUTO], this mode is changed to [One-Shot Auto Focus mode]

## **7. HOW TO DISPLAY**

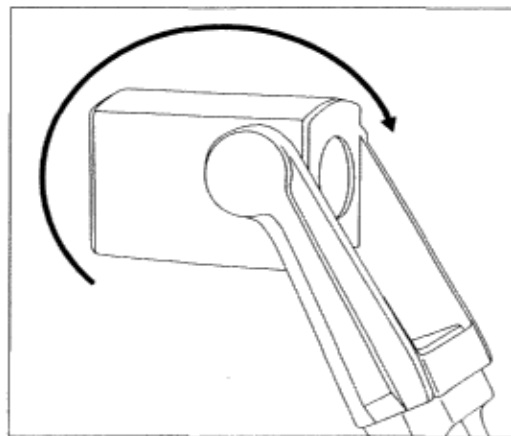
### **A. When displaying printed material.**

- 1, Connect power of the unit. Blue back image appears on the monitor and then image of the printed material will be displayed.
2. Put the printed material below the lens and operate Zoom switch watching TV monitor according to the size of the material. (if focus is out after zooming operation, push AUTO FOCUS switch once. If the correct focus is not obtained yet, push Focus switch to adjust focusing manually.)

### **B. When displaying three-dimensional object.**



① Remove conversion lens



② Rotate Camera head  
( to the level position)

#### **Caution**

When displaying shooting area without conversion lens focus may not work to get focus. When displaying the shooting area, conversion lens is necessary to be installed.

## **8. TROUBLESHOOTING**

<b>SYMPTOM</b>	<b>CAUSE</b>	<b>REMEDY</b>
No Power	Plug not connected to outlet No good connection of AC Adaptor	Connect plug to outlet Connect AC Adaptor right
No Image	Power is OFF Poor connection of video cable	Connect plug to outlet Connect video cable right
Focus is Out	Subject is too close to lens	Subject should not come up more than 100mm above stage surface
Dark Image	No good Bright adjustment	Adjust Brightness by remote control

## 9. SPECIFICATIONS

Lens	f=4.1 —~73.8mm(F1.4~3.0)÷conversion lens
shooting Area (*1)	305 X 225mm (Max.) *1 20 X 15mm (Min.)
Zooming	18X)electric power zoom lens
Electronic Zooming	<u>4 X (18 X) optical zoom makes 72 X (Max.)</u>
Focusing	Auto/One-shot Auto/Power
Iris	auto

TV system	NTSC	PAL
Image pick-up element	1/4 Inch CCD	
All picture element	81 8H X 508V	765H x 596V
Effective picture element	768H x 494V	752HX582V
Synchronization	Internal	
Horizontal Resolution	470 TV Lines	460 TV Lines
S/N ratio	more than 50dB	
Video output level	C-Video 1.0Vp-p/75Ω	
	S-Video Y=1.0Vp-p/75Ω	
	C=0.286Vp-p/75Ω	C=0.300Vp-p/75Ω
White balance	Auto / INDOOR /OUTDOOR	
Shutter speed	1/60 sec (switchable to 1/100 sec)	1/50 sec. (switchable to 1/100 sec)
Nega/Posi reverse	Yes	
Black & White Mode (*2)	Yes	
Brightness Adjustment	Yes	
Image Outline Adjustment(*2)	Yes (SOFT~ NORMAL ~ SHARP)	
Wide picture Right/Left Reverse	Yes	
Freeze	Yes	
Memory function	Standard	
Default	Yes (to reset normal adjustment preset by factory)	
Input terminal	DC power input ( EIAJ φ 2.1mm) X 1	
Output terminal	Video output (RCA PIN jack/75Ω unbalance)X2 S-Video output (Mini Din 4pm 75Ω unbalance) X 1	

Power supply	AC Adaptor DC 6.5V (as standard Acc.)
Power consumption	3.5W
Dimensions	350(W) X 275(D) X 463(H)mm(SET-UP) 130(W) X 500(D) X 85(H)mm(FOLDED)
Weight	1.5Kg
Standard accessories	Power cord Owners manual, Remote control unit A/V Cable, prevent dust cover, AC Adaptor X 1
Operation Temperature	5°C - 40°C
Operation Humidity	20% - 80% (no condensation)

\*1 Shooting area will get a little bit smaller than 305X225mm when monitoring at overscanning.

\*2 All functions can be controlled only by the remote control unit.



AUDIO VISUAL/VIDEO PRODUCTS

**EIKI INDUSTRIAL CO., LTD.**

4-12 Banzai-cho Kita-ku  
OSAKA, JAPAN  
Tel:6-631 1-9479~Fax:6-631 1-8486

**EIKI INTERNATIONAL, INC.**

26794 Vista Terrace Drive,  
Lake Forest, CA92630-8 113 U.S.A  
Tel: 949-457-0200~ Fax: 949-457-7877

**EIKI INTERNATIONAL, INC.CANADA BR.**

P.O. BOX 156 310 First Street Unit 2 Midland, Ontario, L4R 4K8 Canada  
Tel: 800-563-3454~ Fax: 800-567-4069

**EIKI DEUTSCHLAND GmbH**

AM Frauwald 1265510 Idstein  
Tel:6126-9371-0~Fax:6126-9371-1 I

**EIKI CZECH spol.s.r.o.**

Umelecka 15.17000  
Praha 7 Holesovice  
Tel:2-20571413~Fax:2-2057141 I



## Free Manuals Download Website

<http://myh66.com>

<http://usermanuals.us>

<http://www.somanuals.com>

<http://www.4manuals.cc>

<http://www.manual-lib.com>

<http://www.404manual.com>

<http://www.luxmanual.com>

<http://aubethermostatmanual.com>

Golf course search by state

<http://golfingnear.com>

Email search by domain

<http://emailbydomain.com>

Auto manuals search

<http://auto.somanuals.com>

TV manuals search

<http://tv.somanuals.com>