



FlexScan® L671

46 cm (18.1 inch) Class Color LCD Monitor

EIZO has combined nearly every feature available on LCD monitors today including digital/analog compatibility, arm/wall mounting capabilities, and wide viewing angles into the L671 to provide the ideal 18.1 inch flat panel solution for financial, corporate, office, and banking environments. The L671 also livens the desktop with its stylish cabinet design that includes a color choice of serene gray or sleek black.

Features:

- 18.1" TFT panel with 1280 × 1024 native resolution.
- 170° horizontal and vertical viewing angles.
- DVI-I connector accepts digital and analog input.
- Arm/wall mounting capabilities.
- Image scaling and smoothing.
- USB hub with one upstream and four downstream ports.
- Support for Kensington's MicroSaver® security system.
- TCO'99 compliant.
- Attachable sound unit for multimedia applications and video conferencing.
- Cabinet color available in gray or black.



FlexScan® L671

46 cm (18.1 inch) Class Color LCD Monitor



Digital and Analog Connectors

Through its Digital Visual Interface - Integrated (DVI-I) connector, the L671 improves display performance by offering compatibility with computers that produce a DVI-I compliant signal output. This connector also offers backward compatibility for analog systems, as does the D-Sub mini 15 pin connector. Additionally, an input signal selection button on the front bezel facilitates instant toggling between the DVI-I and analog connectors as the active input for on screen display.

Image Scaling and Smoothing

Image scaling expands resolutions less than 1280 × 1024 to an enlarged mode or a full screen mode. To ensure sharp text after scaling, the L671 includes a five level adjustable image smoothing function.

Internal Power Supply

The built-in power supply allows for simple mounting of the main unit on an arm or a wall without the inconvenience of sacrificing space for a bulky "power brick."

USB Hub

The L671 includes a USB hub to facilitate use of USB compliant peripherals. Placement of the hub on the main unit guarantees continued use of the peripherals when the L671 is mounted on an arm or a wall.

Low Power Consumption Requirements

During normal operation the L671 uses only 50 watts of power; 40% less than the amount required by large screen CRT monitors. In power save mode, consumption drops below 5 watts for further energy savings.

Compliance with International Standards

The L671 meets the requirements of the world's strictest standards for emissions, safety, recycling, and power management including TCO'99, TÜV Rheinland Ergonomie Geprüft, the CE Mark, and the EPA ENERGY STAR® Program.



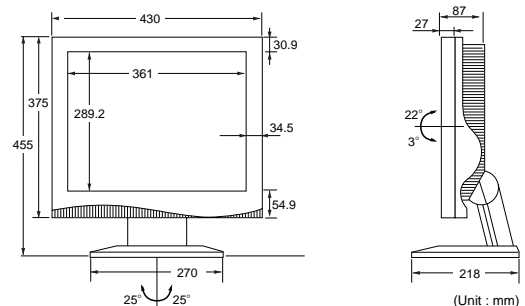
FlexScan® L671 Specifications

Panel Type	46 cm (18.1 inch) TFT color LCD panel
Pixel Pitch	0.280 mm × 0.280 mm
Display Color	16.7 million colors
Viewing Angle	Horizontal: 170° Vertical: 170°
Scanning Frequency	H: 27 - 82 kHz, V: 50 - 85 Hz (Up to 75 Hz at 1280 × 1024)
Brightness	200 cd/m ² (typical)
Contrast Ratio	350:1 (typical)
Input Signals	RGB Analog, DVI Standard 1.0
Input Terminal	D-Sub mini 15 pin, DVI-29 pin
Active Display Size	359 mm (W) × 287 mm (H)
Viewable Image Size	Diagonal: 459 mm
Recommended	1280 dots × 1024 lines
Resolution	
Plug & Play ¹	VESA DDC 2B
Screen Control	ScreenManager®, One Touch Auto Adjustment Function
Power Management System	VESA DPMS, EIZO MPMS ² , DVI-DMPM
Power Consumption	50 watts (typical)
Power Save Mode	Less than 5 watts
Dimensions	430 mm (W) × 455 mm (H) × 218 mm (D) (with base) 430 mm (W) × 375 mm (H) × 87 mm (D) (panel only)
Net Weight	8.7 kg (with base) 7.2 kg (panel only)
Safety Standards	TÜV Rheinland/GS, CB, CE Mark
Ergonomic/Environmental Standards	TÜV Rheinland/Ergonomie Geprüft (including ISO 9241-3,-7,-8, and MPR-II), EPA ENERGY STAR® Program, TCO'99 ³
USB Standard	USB Standard Rev. 1.1
USB Ports	1 upstream port (for computer or another hub) 4 downstream ports (for peripherals)

¹Only Valid when computer system supports all Plug & Play functions (personal computer, graphics board, Windows® 95/98/2000). For more details, please refer to the Windows 95/98/2000, personal computer, and graphics board manuals or contact the manufacturers.

²EIZO MPMS is a power management system developed by EIZO to replace NUTEK which was discontinued at the end of 1997.

³Black cabinets are not TCO'99 compliant.



i-Sound™

Sound Unit

Attachable sound unit with full range bass reflex and amplifier output of two watts per channel. Cabinet color is available in gray or black.



FW-03

18.1 inch LCD Protection Sheet

FW-03 slides over the LCD screen for protection against scratches and dust. A light transmission rate of over 87% leaves minimal trace of implementation.

*The i-Sound and FW-03 are sold separately.

Specifications are subject to change without notice.

ENERGY STAR® is a U.S. registered mark. As an ENERGY STAR® Partner, Eizo Nanao Corporation has determined that this product meets the ENERGY STAR® guidelines for energy efficiency. Copyright © 2000 Eizo Nanao Corporation. All rights reserved. All product names are trademarks or registered trademarks of their respective companies. i-Sound is a trademark, and FlexScan, EIZO, and ScreenManager are registered trademarks of Eizo Nanao Corporation.



EIZO NANA O CORPORATION

655 Fukudome, Matto, Ishikawa 924-8533 Japan

Phone : +81 76 277-3310 Fax : +81 76 277-3450

<http://www.eizo.co.jp/>

Download from www.Somanuals.com. All Manuals Search And Download.

Free Manuals Download Website

<http://myh66.com>

<http://usermanuals.us>

<http://www.somanuals.com>

<http://www.4manuals.cc>

<http://www.manual-lib.com>

<http://www.404manual.com>

<http://www.luxmanual.com>

<http://aubethermostatmanual.com>

Golf course search by state

<http://golfingnear.com>

Email search by domain

<http://emailbydomain.com>

Auto manuals search

<http://auto.somanuals.com>

TV manuals search

<http://tv.somanuals.com>