

User's Manual

# FlexScan® L795

Color LCD Monitor



## SAFETY SYMBOLS

This manual uses the safety symbols below. They denote critical information. Please read them carefully.



### WARNING

Failure to abide by the information in a WARNING may result in serious injury and can be life threatening.



### CAUTION

Failure to abide by the information in a CAUTION may result in moderate injury and/or property or product damage.



Indicates a prohibited action.



Indicates to ground for safety.

---

Copyright© 2003 EIZO NANA O CORPORATION All rights reserved. No part of this manual may be reproduced, stored in a retrieval system, or transmitted, in any form or by any means, electronic, mechanical, or otherwise, without the prior written permission of EIZO NANA O CORPORATION.

EIZO NANA O CORPORATION is under no obligation to hold any submitted material or information confidential unless prior arrangements are made pursuant to EIZO NANA O CORPORATION's receipt of said information. Although every effort has been made to ensure that this manual provides up-to-date information, please note that EIZO monitor specifications are subject to change without notice.

---

ENERGY STAR is a U.S. registered mark.

Apple and Macintosh are registered trademarks of Apple Computer, Inc.

VGA is a registered trademark of International Business Machines Corporation.

DPMS is a trademark and VESA is a registered trademark of Video Electronics Standards Association.

Windows is a registered trademark of Microsoft Corporation.

PowerManager is a trademark of EIZO NANA O CORPORATION.


FlexScan, ScreenManager and EIZO are registered trademarks of EIZO NANA O CORPORATION.

---



As an ENERGY STAR® Partner, EIZO NANA O CORPORATION has determined that this product meets the ENERGY STAR guidelines for energy efficiency.

# TABLE OF CONTENTS

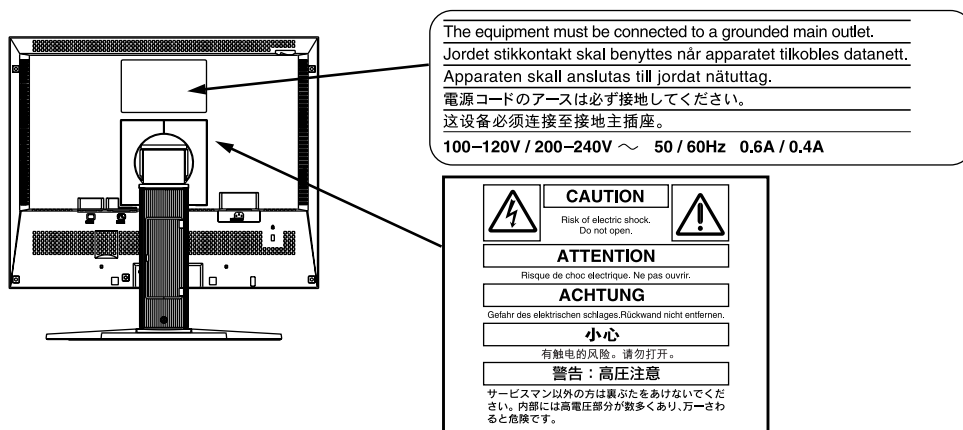
 <b>PRECAUTIONS</b> .....	<b>4</b>
<b>1. INTRODUCTION</b> .....	<b>9</b>
1-1. Features .....	9
1-2. Package Contents.....	9
1-3. Controls & Connectors .....	10
<b>2. CABLE CONNECTION</b> .....	<b>12</b>
2-1. Before Connecting .....	12
2-2. Connecting the Signal Cable .....	13
2-3. Connecting Two PCs to the Monitor .....	15
<b>3. ScreenManager</b> .....	<b>17</b>
3-1. How to use the ScreenManager .....	17
3-2. ScreenManager Adjustments and Settings.....	18
3-3. Useful Functions .....	19
<b>4. ADJUSTMENT</b> .....	<b>21</b>
4-1. Screen Adjustment .....	21
4-2. Displaying a Low Resolutions .....	25
4-3. Color Adjustment .....	27
4-4. Power-save Setup .....	29
<b>5. ActiveShot Function</b> .....	<b>31</b>
5-1. Operation .....	31
5-2. Sub Window Settings .....	32
5-3. Settings using the Control Buttons.....	34
<b>6. ActiveRotation Function</b> .....	<b>35</b>
<b>7. Recommended Functions</b> .....	<b>37</b>
<b>8. MAKING USE OF USB (Universal Serial Bus)</b> .....	<b>38</b>
<b>9. ATTACHING AN ARM</b> .....	<b>40</b>
<b>10. TROUBLESHOOTING</b> .....	<b>42</b>
<b>11. CLEANING</b> .....	<b>46</b>
<b>12. SPECIFICATIONS</b> .....	<b>47</b>
<b>13. GLOSSARY</b> .....	<b>50</b>
<b>APPENDIX/ANHANG/ANNEXE</b> .....	<b>i</b>

# PRECAUTIONS

## IMPORTANT!

- This product has been adjusted specifically for use in the region to which it was originally shipped. If operated outside the region to which it was originally shipped, the product may not perform as stated in the specifications.
- To ensure personal safety and proper maintenance, please read this section and the caution statements on the unit (refer to the figure below).

### [Location of the Caution Statements]



## WARNING

**If the unit begins to emit smoke, smells like something is burning, or makes strange noises, disconnect all power connections immediately and contact your dealer for advice.**

Attempting to use a malfunctioning unit may result in fire, electric shock, or equipment damage.

**Do not open the cabinet or modify the unit.**

Opening the cabinet or modifying the unit may result in fire, electric shock, or burn.



**Refer all servicing to qualified service personnel.**

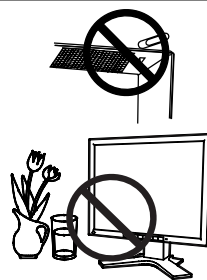
Do not attempt to service this product yourself as opening or removing covers may result in fire, electric shock, or equipment damage.

## **WARNING**

### **Keep small objects or liquids away from the unit.**

Small objects accidentally falling through the ventilation slots into the cabinet or spillage into the cabinet may result in fire, electric shock, or equipment damage.

If an object or liquid falls/spills into the cabinet, unplug the unit immediately. Have the unit checked by a qualified service engineer before using it again.



### **Place the unit at the strong and stable place.**

A unit placed on an inadequate surface may fall and result in injury or equipment damage.

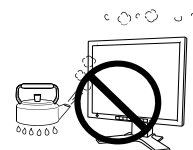
If the unit falls, disconnect the power immediately and ask your dealer for advice. Do not continue using a damaged unit. Using a damaged unit may result in fire or electric shock.



### **Set the unit in an appropriate location.**

Not doing so may result in fire, electric shock, or equipment damage.

- \* Do not place outdoors.
- \* Do not place in the transportation system (ship, aircraft, trains, automobiles, etc.)
- \* Do not place in a dusty or humid environment.
- \* Do not place in a location where the steam comes directly on the screen.
- \* Do not place near heat generating devices or a humidifier.



### **To avoid danger of suffocation, keep the plastic packing bags away from babies and children.**



### **Use the enclosed power cord and connect to the standard power outlet of your country.**

Be sure to remain within the rated voltage of the power cord.

Not doing so may result in fire or electric shock.

### **To disconnect the power cord, grasp the plug firmly and pull.**

Tugging on the cord may damage and result in fire or electric shock.



## **WARNING**

---

### **The equipment must be connected to a grounded main outlet.**

Not doing so may result in fire or electric shock.



### **Use the correct voltage.**

- \* The unit is designed for use with a specific voltage only. Connection to another voltage than specified in this User's Manual may cause fire, electric shock, or equipment damage.
  - \* Do not overload your power circuit, as this may result in fire or electric shock.
- 

### **Handle the power cord with care.**

- \* Do not place the cord underneath the unit or other heavy objects.
- \* Do not pull on or tie the cord.

If the power cord becomes damaged, stop using it. Use of a damaged cord may result in fire or electric shock.



### **Never touch the plug and power cord if it begins to thunder.**

Touching them may result in electric shock.

---

### **When attaching an arm stand, please refer to the user's manual of the arm stand and install the unit securely with the enclosed screws.**

Not doing so may cause the unit to become unattached, which may result in injury or equipment damage. When the unit is dropped, please ask your dealer for advice. Do not continue using a damaged unit. Using a damaged unit may result in fire or electric shock. When reattaching the tilt stand, please use the same screws and tighten them securely.

---

### **Do not touch a damaged LCD panel directly with bare hands.**

The liquid crystal that may leak from the panel is poisonous if it enters the eyes or mouth.

If any part of the skin or body comes in direct contact with the panel, please wash thoroughly. If some physical symptoms result, please consult your doctor.



### **Follow local regulation or laws for safe disposal.**

The backlight of the LCD panel contains mercury.

---

---

## CAUTION

---

### **Handle with care when carrying the unit.**

Disconnect the power cord and cables when moving the unit. Moving the unit with the cord attached is dangerous. It may result in injury.

---

### **When handling the unit, grip the bottom of the unit firmly with both hands ensuring the panel faces outward before lifting.**

Dropping the unit may result in injury or equipment damage.



### **Do not block the ventilation slots on the cabinet.**

- \* Do not place any objects on the ventilation slots.
- \* Do not install the unit in a closed space.
- \* Do not use the unit laid down or upside down.

Blocking the ventilation slots prevents proper airflow and may result in fire, electric shock, or equipment damage.



### **Do not touch the plug with wet hands.**

Doing so may result in electrical shock.



### **Use an easily accessible power outlet.**

This will ensure that you can disconnect the power quickly in case of a problem.

---

### **Periodically clean the area around the plug.**

Dust, water, or oil on the plug may result in fire.

---

### **Unplug the unit before cleaning it.**

Cleaning the unit while it is plugged into a power outlet may result in electric shock.

---

**If you plan to leave the unit unused for an extended period, disconnect the power cord from the wall socket after turning off the power switch for the safety and the power conservation.**

---

## LCD Panel

---

---

In order to suppress the luminosity change by long-term use and to maintain the stable luminosity, use of a monitor in lower brightness is recommended.

---

The screen may have defective pixels. These pixels may appear as slightly light or dark area on the screen. This is due to the characteristics of the panel itself, and not the product.

---

The backlight of the LCD panel has a fixed life span. When the screen becomes dark or begins to flicker, please contact your dealer.

---

Do not press on the panel or edge of the frame strongly, as this may result in damage to the screen. There will be prints left on the screen if the pressed image is dark or black. If pressure is repeatedly applied to the screen, it may deteriorate or damage your LCD panel. Leave the screen white to decrease the prints.

---

Do not scratch or press on the panel with any sharp objects, such as a pencil or pen as this may result in damage to the panel. Do not attempt to brush with tissues as this may scratch the LCD panel.

---



---

# 1. INTRODUCTION

Thank you very much for choosing an EIZO Color Monitor.

## 1-1. Features

- Dual inputs compliant
- DVI (p. 50) Digital input (TMDS (p. 51)) compliant
- [Horizontal scanning frequency] Analog: 30 - 82 kHz, Digital: 30 - 81 kHz  
[Vertical scanning frequency] Analog: 49 - 86 Hz (1280 x 1024 - 76 Hz)  
Digital: 59 - 61 Hz (VGA text: 70 Hz)  
[Resolution] 1280 dots x 1024 lines
- ActiveShot (Picture in Picture) function incorporated (p. 31)
- ActiveRotation (changing the display orientation to portrait) function incorporated (p. 35)
- Smoothing function incorporated for the adjustment of an enlarged image (p. 26)
- Auto Adjustment compliant and original "Picture Adjustment Program" software included
- ColorManagement function incorporated (p. 27)
- Support to sRGB (p. 51) standard
- The height adjustable stand incorporated
- Ultra slim bezel incorporated

## 1-2. Package Contents

Please contact your local dealer for assistance if any of the listed items are missing or damaged.

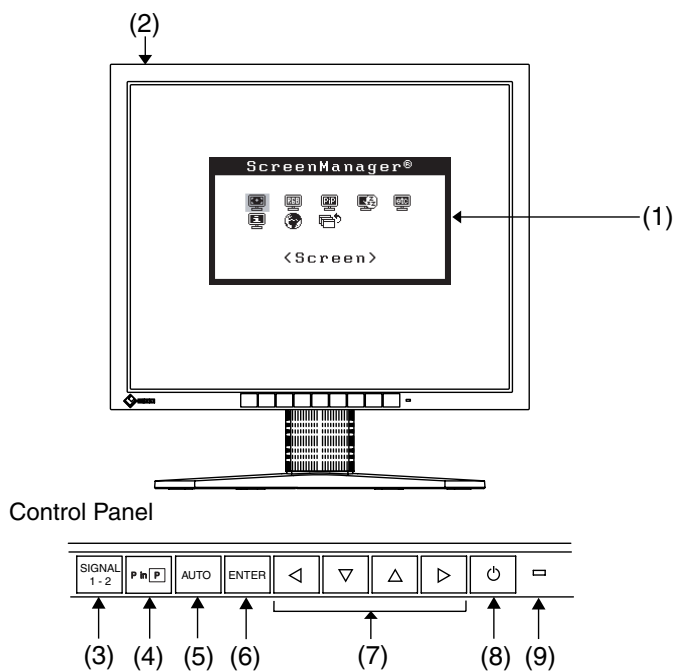
- LCD Monitor
- Power Cord
- Signal Cable (FD-C16)
- Signal Cable (MD-C87)
- EIZO USB Cable (MD-C93)
- EIZO LCD Utility Disk
- User's Manual
- Quick Reference
- LIMITED WARRANTY

### **NOTE**

- Please retain the packing materials for future transference.
- The EIZO USB cable is used when using the software, "ActiveRotation" application (for Windows) in the EIZO LCD Utility Disk. (Refer to the readme.txt in the EIZO LCD Utility Disk for the details.)

## 1-3. Controls & Connectors

### Front



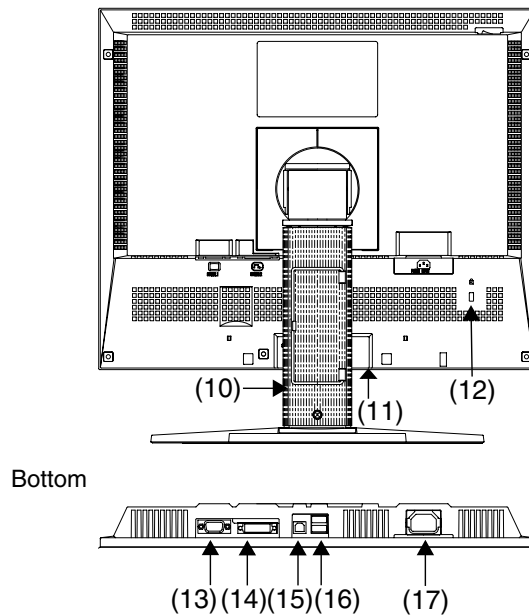
- (1) ScreenManager®
- (2) Main Power Button
- (3) Input Signal Selection Button
- (4) PinP (Picture in Picture) Button
- (5) Auto Adjustment Button
- (6) Enter Button
- (7) Control Buttons (Left, Down, Up, Right) <sup>1</sup>
- (8) Power Button
- (9) Power Indicator <sup>2</sup>

Blue	Operation
Yellow/Flashing yellow (2 times for each)	Power saving
Flashing yellow slowly	Power is off (Main power is on)
Off	Power off

<sup>1</sup> These buttons are changed to Up, Left, Right, Down in case of selecting "Portrait(HW/SW)" for <Orientation> of ScreenManager <Others> (p. 35)

<sup>2</sup> Regarding the power indicator for the off timer, see p. 19.

## Rear



- (10) Height Adjustable Stand (Detachable)<sup>3</sup>
- (11) Power Terminal Covers for the Optional peripheral
- (12) Security Lock Slot<sup>4</sup>
- (13) D-Sub mini 15 pin Connector (SIGNAL 1)
- (14) DVI-I Connector (SIGNAL 2)
- (15) USB Port (1 Upstream)<sup>5</sup>
- (16) USB Port (2 Downstreams)
- (17) Power Connector

<sup>3</sup> The LCD monitor has the capability of the Portrait/Landscape display. (The panel pivots in the clockwise direction 90°), see p. 35.

The LCD monitor can be used with an optional arm by removing the stand, see p. 40.

<sup>4</sup> Allows for connection of a security cable. This lock supports Kensington's MicroSaver security system. For further information, please consult' Kensington Technology Group  
2855 Campus Drive, San Mateo, CA 94403 USA  
Tel.: 800-650-4242, x3348, Intl: 650-572-2700, x3348  
Fax: 650-572-9675  
<http://www.kensington.com>

<sup>5</sup> USB upstream port is used when using the "ActiveRotation" application (for Windows) in the EIZO LCD Utility Disk (refer to the Readme file).

# 2. CABLE CONNECTION

## 2-1. Before Connecting

Before connecting your monitor to the PC, change the display screen settings (resolution p. 51) and frequency) in accordance with the charts below.

### NOTE

- When your computer and display support VESA DDC, the suitable resolution and the refresh rate are set by just plugging your display into the computer without any manual settings.

### Analog Input

Resolution	Frequency	Dot Clock	Remarks
640 × 480	~ 85 Hz	140 MHz (Max.)	VGA, VESA
640 × 480	67 Hz		Apple Macintosh
720 × 400	70 Hz		VGA TEXT
800 × 600	~ 85 Hz		VESA
832 × 624	75 Hz		Apple Macintosh
1024 × 768	~ 85 Hz		VESA
1152 × 864	75 Hz		VESA
1152 × 870	75 Hz		Apple Macintosh
1152 × 900	~ 76 Hz		SUN WS
1280 × 960	60 Hz		VESA
1280 × 960	75 Hz		Apple Macintosh
1280 × 1024	67 Hz		SUN WS
1280 × 1024	~ 75 Hz		VESA

### Digital Input

Only the following resolutions with frequency can be displayed on this model.

Resolution	Frequency	Dot Clock	Remarks
640 × 480	60 Hz	120 MHz (Max.)	VGA
720 × 400	70 Hz		VGA TEXT
800 × 600	60 Hz		VESA
1024 × 768	60 Hz		VESA
1280 × 1024	60 Hz		VESA

## 2-2. Connecting the Signal Cable

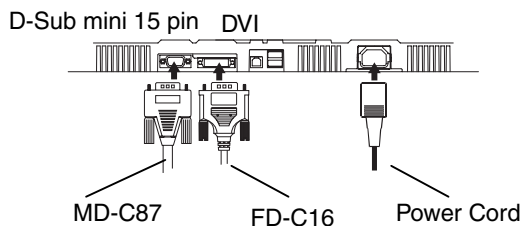
### NOTE

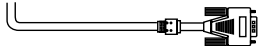
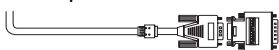
- Be sure that the Power buttons of both the PC and the monitor are OFF.

### 1. Plug the signal cable into the connector at the rear of the monitor and the other end of the cable into the video connector on the PC.

After connecting, secure the connection with the screw-in fasteners.

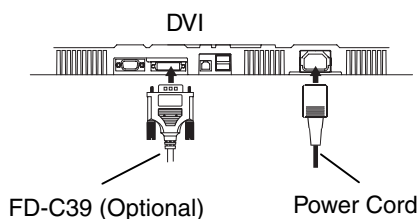
### Analog Input

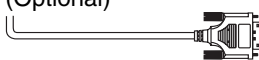


Signal Cable	Connector of PC	PC
FD-C16 or MD-C87 enclosed 	Video Output Connector D-Sub mini 15 pin	<ul style="list-style-type: none"> <li>• Standard graphics card</li> <li>• Macintosh G3 (Blue &amp; White) / Power Mac G4 (VGA)</li> </ul>
FD-C16 or MD-C87 enclosed + Adapter* 	Video Output Connector D-Sub mini 15 pin	<ul style="list-style-type: none"> <li>• Macintosh</li> </ul>

\*Macintosh Adapter (Optional)

### Digital Input



Signal Cable	Connector of PC	PC
FD-C39 (Optional) 	Video Output Connector DVI	<ul style="list-style-type: none"> <li>• Power Mac G4 (DVI)</li> <li>• Digital graphics board</li> </ul>

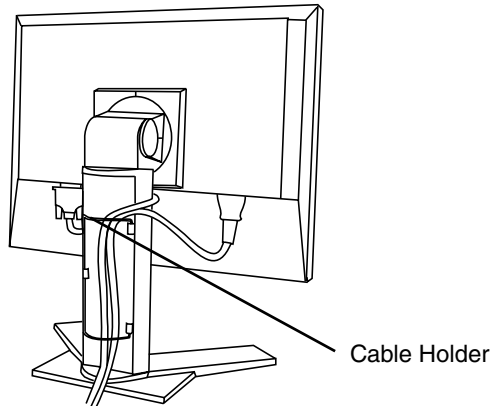
### NOTE

- The monitor is not compatible with a Power Mac G4/G4 Cube ADC (Apple Display Connector)

2. Plug the power cord into the power connector on the rear of the monitor.
3. Lead the power cord and signal cable into the cable holder at rear of the monitor.

**NOTE**

- The cables are recommended to lead with slight sag for the smooth motion of the stand and the Portrait/Landscape display.



4. Plug the other end of the power cord into a power outlet.

**⚠ WARNING**

---

**Use the enclosed power cord and connect to the standard power outlet of your country.**

Be sure to remain within the rated voltage of the power cord.  
Not doing so may result in fire or electric shock.

---

**The equipment must be connected to a grounded main outlet.**

Not doing so may result in fire or electric shock.



## 5. Turn on the monitor's main power and then switch on the PC's power.

The monitor's power indicator will light up (blue).

If an image does not appear, refer to the "TROUBLESHOOTING" (p. 42) for advice.

Whenever finished, turn off the PC and the monitor.

## 6. When using the monitor in portrait style, refer to the "6. ActiveRotation Function" (p. 35).

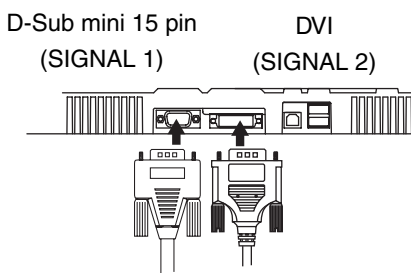
### NOTE

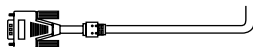
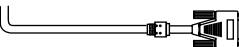


- When turning on the monitor, the kind of the input signal (Signal1/ Analog or Signal 2/Analog or Digital) is displayed for a few seconds on the right top corner of the screen.
- Adjust brightness of the screen depending on the brightness of your environment.
- Be sure to take adequate rests. A 10-minute rest period each hour is suggested.

## 2-3. Connecting Two PCs to the Monitor

Two PCs can be connected to the monitor through the D-Sub mini 15 pin connector and the DVI connector on the back of the monitor.

### Connecting Examples



	PC 1			PC 2		
(Ex.1)	Analog	D-Sub mini 15 pin	Signal Cable (MD-C87 enclosed) 	Signal Cable (FD-C16 enclosed) 	D-Sub mini 15 pin	Analog
(Ex.2)	Analog	D-Sub mini 15 pin	Signal Cable (MD-C87 enclosed) 	Signal Cable (FD-C39 Optional) 	DVI	Digital

## Selecting the Active Input

The Input signal selection button on the control panel can be used to select either Signal 1 or Signal 2 as the active input at any time. Every time the button is pressed, the input changes. When switching the signal, the kind of the input signal (Signal1/ Analog or Signal 2/Analog or Digital) is displayed for a few seconds on the right top corner of the screen.



### NOTE

- When using the ActiveShot function (p. 31), pressing the Input signal selection button switches the image of the Main window and the Sub window.

## The Priority Input Signal

This function is used to select which PC will have priority to control the monitor when utilizing two PCs. The monitor constantly checks the input signals and switches automatically in accordance with the “Input Priority” setting (see table below). Once a priority is set, whenever a change of signal is detected at the selected input, the monitor will switch the input to that signal.

In the case of only one signal being present at either input, the monitor automatically detects and displays that signal.

Priority Setting	Performance
1 (SIGNAL 1 – D-Sub mini 15 pin Input Connector)	If signals from both inputs are present, the monitor gives preference to Signal 1 in the following cases. <ul style="list-style-type: none"> <li>• When the power of the monitor is turned ON.</li> <li>• When the signal input to Signal 1 is changed even if active input was Signal 2.</li> </ul>
2 (SIGNAL 2 – DVI Input Connector)	If signals from both inputs are present, the monitor gives preference to Signal 2 in the following cases. <ul style="list-style-type: none"> <li>• When the power of the monitor is turned ON.</li> <li>• When the signal input to Signal 2 is changed even if active input was Signal 1.</li> </ul>
Manual	The monitor will not detect signals automatically in this mode. Select the active input by pressing the Input Signal Selection Button on the monitor's control panel.

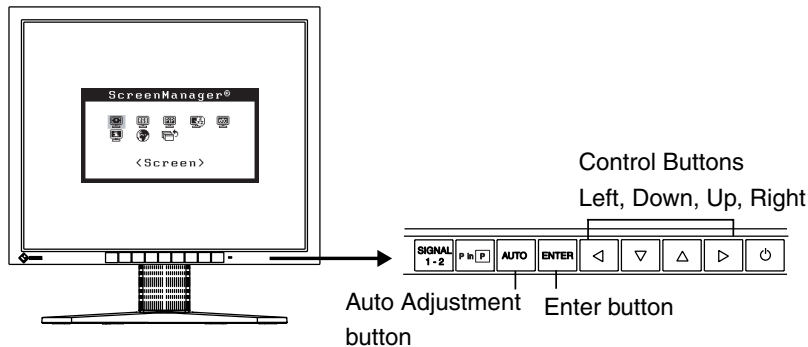
### NOTE

- About Power saving mode  
When the “1” or “2” is selected, the power saving mode of the monitor activates only if both PCs are in power saving mode.



# 3. ScreenManager

## 3-1. How to use the ScreenManager



### 1. Entering the ScreenManager

Press the Enter button once to display the main menu of the ScreenManager.

[Main Menu]



### 2. Making Adjustments and Settings

- (1) Select the desired sub menu icon using the Control buttons and press the Enter button. The sub menu appears.
- (2) Use the Control buttons to select the desired setting icon and press the Enter button. The setting menu appears.
- (3) Use the Control buttons to make all required adjustments and press the Enter button to save the settings.

### 3. Exiting the ScreenManager

- (1) To return to the main menu, select the <Return> icon or press the down button twice, followed by the Enter button.
- (2) To exit the ScreenManager, select the <Exit> icon or press the down button twice, followed by the Enter button.

#### NOTE

- Double clicking the Enter button at any time also exits the ScreenManager menu.

## 3-2. ScreenManager Adjustments and Settings

The following table shows all the ScreenManager's adjustment and setting menus.

“\*” indicates adjustments of analog input only and “\*\*” indicates digital input only.

Main menu	Sub menu		Reference	
Screen	Clock		*	
	Phase		*	
	Position		*	
	Resolution		*	
	Range Adjustment		*	
	Smoothing			
	Signal Filter		*	
ColorManagement	Color Mode			
	Custom Mode	Brightness/ Contrast		
		Temperature		
		Saturation		
		Hue		
		Gain		
		Reset		
		sRGB	Brightness	
Picture in Picture	Standard			
	Clip			
PowerManager	DVI DMPM		**	
	VESA DPMS		*	
	EIZO MPMS		*	
Others	Screen Size			
	Border Intensity			
	Input Priority			
	Off Timer			
	Beep			
	Menu Settings	Menu Size		
		Menu Position		
		Menu Off Timer		
		Translucent		
	Orientation			
	Power Indicator			
	Reset			
	Information	Information		
Language	English, German, French, Spanish, Italian, Swedish and Japanese			

<sup>1</sup>Due to the inspection on the factory, the usage time may not “0 hour” at shipping.

## 3-3. Useful Functions

### Adjustment Lock

Use the “Adjustment Lock” function to prevent any accidental changes.

Locked function	<ul style="list-style-type: none"> <li>• Auto adjustment button adjustments and settings in the ScreenManager.</li> <li>• Auto Adjustment Button</li> </ul>
Unlocked function	<ul style="list-style-type: none"> <li>• Adjustment of contrast and brightness by the control buttons.</li> <li>• Input Signal Selection Button</li> <li>• PinP Button</li> </ul>

#### [To lock]

- (1) Switch off the monitor’s power by the power button on the control panel.
- (2) Press on the Auto adjustment button while switching on the monitor’s power.

#### [To unlock]

- (1) Switch off the monitor’s power by the power button on the control panel.
- (2) Hold down the Auto adjustment button once again and turn the power back on.

### Off Timer

The off timer function causes the monitor to automatically enter a power off state after a predetermined amount of time has lapsed. This function was created to reduce afterimage (p. 50) characteristics that are particular to LCD monitors when the monitor screen is left on for a long period without use.

#### [Procedure]

- (1) Select <Off Timer> in the ScreenManager “Others” menu.
- (2) Select “Enable” and press the right and left buttons to adjust the “On Period” (1 to 23 hours).

#### [Off timer system]

PC	Monitor	Power Indicator
On Period (1H - 23H)	Operation	Blue
Last 15 min. in "On period"	Advance Notice <sup>1</sup>	Blue Flashing
"On period" expired	Power off	Flashing yellow slowly

<sup>1</sup>Advance notice (Power indicator flashing blue) will be given 15 minutes before the monitor automatically enters the “Power Off” mode. To delay entering the “Power Off” mode, press the power button during the advance notice period. The monitor will continue to operate for an additional 90 minutes.

#### [Power Resumption Procedure]

Press the power button to return to a normal screen.

#### **NOTE**

- The off timer function works while the PowerManager is active, but there is no advance notice before the monitor’s power is switched off.

## Power Indicator Setting

Light off the power indicator. This function is available for the multiple panels settings.

### [Procedure]

- (1) Select <Power Indicator> in the ScreenManager <Others> menu.
- (2) Select “Disable”.

## EIZO Logo Appearing Function

When switching on the power button on the control panel, the EIZO logo is displayed for a while. If you desire to display or undisplay this logo, use this function. (Default is logo appearing.)

### [To undisplay]

- (1) Switch off the monitor’s power by the Power button on the control panel.
- (2) Hold down the Enter button once again and turn the power back on.

### [To display again]

- (1) Switch off the monitor’s power by the Power button.
- (2) Hold down the Enter button once again and turn the power back on.

# 4. ADJUSTMENT

The monitor displays the digital input image correctly based on its pre-setting data.

## 4-1. Screen Adjustment

Screen adjustments for the LCD monitor should be used in suppressing screen flickering and also for adjusting the screen to its proper position. There is only one correct position for each display mode. It is also recommended to use the ScreenManager function when first installing the display or whenever changing the system. For convenience, an easy set-up Program installed on the utility disk to assist in the set-up procedure is provided.

### NOTE

- Allow the LCD monitor to stabilize for at least 20 minutes before making image adjustments.
- When using the ActiveShot function (p. 31), adjust the screen of each signal in advance.

### Adjustment Procedure

#### 1. Press the Auto adjustment button on the control panel.

The message “Your setting will be lost, if you press again now.” appears and remains on the screen for 5 seconds. While the message is on the screen, press the Auto adjustment button again to automatically adjust the clock, phase, screen position and resolution. If you do not wish to do adjust the screen, do not press the Auto adjustment button again.

### NOTE

- The Auto sizing function is intended for use on the Macintosh and on AT-compatible PC running Windows. It may not work properly in either of the following cases.  
When running an AT-compatible PC on MS-DOS (Not windows). The background color for the “wall paper” or “desktop” pattern is set to black.

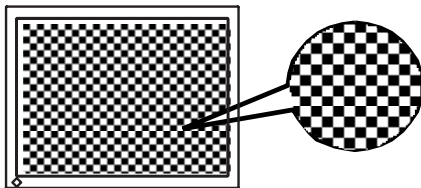
**If the appropriate screen cannot be made by using the Auto adjustment button, adjust the screen through the following procedures. If the appropriate screen can be made, proceed to step 4.**

#### 2. Install the “Screen adjustment program”

Having read the “Readme.txt” file, install and run the “Screen adjustment program” in the enclosed EIZO LCD utility disk. Step by step adjustment is provided by the wizard guide. (If using the Windows, the program can be directly run from the menu screen of the EIZO LCD utility disk.)


**NOTE**

- If the user's operating system has no utility disk (e.g. OS/2), we recommend setting the desktop pattern to that as shown in the diagram.



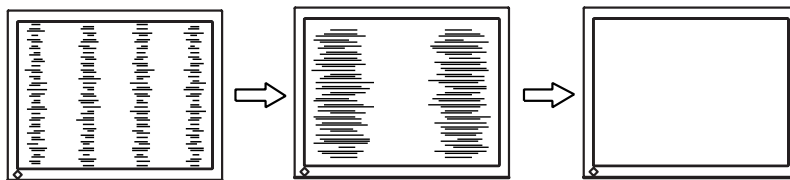
### 3. Adjust by using <Screen> menu in the ScreenManager.

#### (1) Vertical bars appear on the screen

→  Use the <Clock> (p. 50) adjustment.


Select the “Clock” and eliminate the vertical bars by using the right and left of the control buttons. Do not continuously press the control buttons, as the adjustment value will change quickly and make it difficult to locate the most suitable adjustment point.

If the horizontal flickering, blur or bars appear, proceed to “Phase” adjustment as follows.

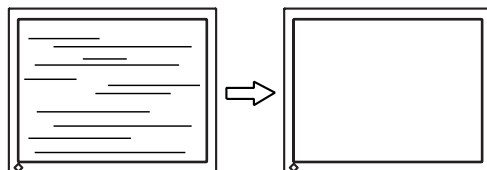
**NOTE**

- When adjusting the <Clock>, the horizontal screen size will also change.

#### (2) Horizontal flickering, blurring or bars appear on the screen.

→  Use the <Phase> (p. 50) adjustment.

Select the <Phase> and eliminate the horizontal flickering, blurring or bars by using the right and left buttons.

**NOTE**

- Horizontal bars may not completely disappear from the screen depending on the PC.

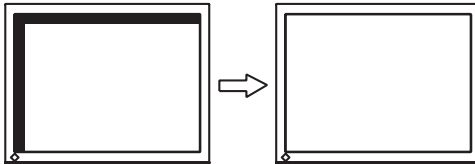
## (3) The screen position is not incorrect.

→  Use the <Position> adjustment.

The correct displayed position of the monitor is decided because the number and the position of the pixels are fixed. The <Position> adjustment moves the image to the correct position.

Select <Position> and adjust the position by using the Up, Down, Right and Left buttons.

If vertical bars of distortion appear after finishing the <Position> adjustment, return to <Clock> adjustment and repeat the previously explained adjustment procedure (“Clock” → “Phase” → “Position”)



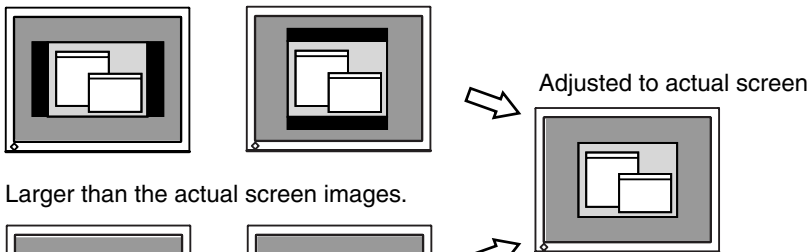
## (4) Screen image is smaller or larger than the actual screen images.

→  Use the <Resolution> adjustment.

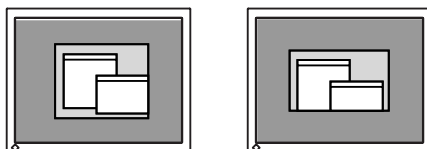
Adjustment is needed when the input signal resolution and the resolution now being displayed are different.

Select <Resolution> and confirm if the resolution now being displayed is the same as the input resolution. If it is not, adjust the vertical resolution using the up and down button and adjust the horizontal resolution using the right and left buttons.

Smaller than the actual screen images.



Larger than the actual screen images.



#### **4. Adjust the output signal range (Dynamic Range) of the signal.**

→  Use the <Range Adjustment> (p. 51).

This controls the level of output signal range to display the whole color gradation (256 colors).

##### **[Procedure 1]**

Select the <Range Adjustment>. The message “Your setting will be lost if you press AUTO button.” appears and remains on the screen for 5 seconds. While the message is on the screen, press the Auto adjustment button to automatically adjust the range. The screen blanks for a moment, and adjusts the color range to display the whole color gradation of the current output signal.

##### **[Procedure 2]**

Press the Auto adjustment button while displaying the contrast/brightness adjustment screen (appeared by pressing the control buttons directly). The message “Your setting will be lost if you press AUTO button.” appears and remains on the screen for 5 seconds. While the message is on the screen, press the Auto adjustment button to automatically adjust the range. The screen blanks for a moment, and adjusts the color range to display the whole color gradation of the current output signal. (Contrast and Brightness will not be adjusted.)



## 4-2. Displaying a Low Resolutions

The lower resolutions are enlarged to full screen automatically. Using the <Screen Size> function in the <Others> menu enables to change the screen size.

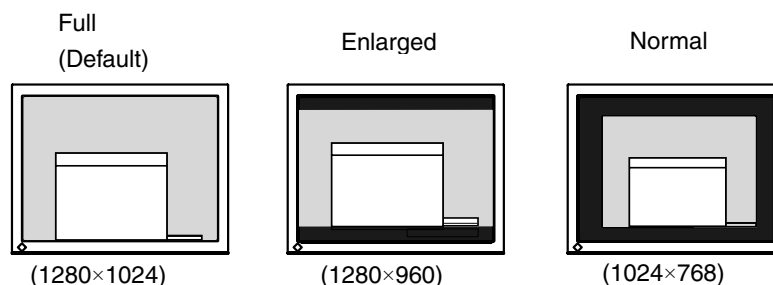
### 1. Change the screen size when displaying a low resolution.

→  Select the <Screen Size>.

Select the <Screen Size> in the <Others> menu and select the screen size by using the up and down buttons.

Menu	Function
Full	Displays the picture on the screen in full, irrespective of the picture's resolution. Since the vertical resolution and the horizontal resolution are enlarged at different rates, some images may appear distorted.
Enlarged	Displays the picture on the screen in full, irrespective of the picture's resolution. Since the vertical resolution and horizontal resolution are enlarged at same rates, some horizontal or vertical image may disappear.
Normal	Displays the picture at the actual Screen resolution.

Example: Displaying 1024 x 768



#### **NOTE**

- When using the ActiveRotation (p. 35) function, the screen size cannot be enlarged.

**2. Smooth the blurred texts of the enlarged screen.**

→  Switch the <Smoothing> setting.

Select the suitable level from 1 – 5 (Soft – Sharp).

Select <Smoothing> in the <Screen> menu and adjust by using the right and left buttons.

**NOTE**

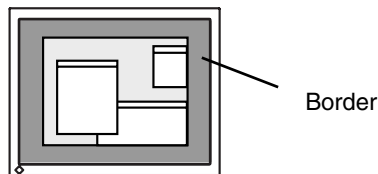
- <Smoothing> is disabled when the screen is displayed in the following resolutions.
  - \*1280 x 1024
  - \*The image size is doubled both in horizontally and vertically to (i.e. 1280 x 960 enlarged from 640 x 480) provide clear focus which does not require this function.

**3. Set the brightness of the black area surrounding the displayed image.**

→  Set the <Border Intensity>.

In the <Enlarge> mode or <Full Screen> mode, the outer area (border) is usually black.

Select <Border Intensity> in the <Others> menu and adjust by using the right and left buttons.



## 4-3. Color Adjustment

The <ColorManagement> menu in the ScreenManager enables to change the color of the screen. By using the <Color Mode>, the adjustment mode can be selected from <Custom mode> (to adjust the color settings according to your preference) and <sRGB> mode.

**In the analog input, perform the “Range Adjustment” (p. 24) before making the color adjustments.**

### NOTE

- Allow the LCD monitor to stabilize for at least 20 minutes before making image adjustments. (Allow the monitor to warm up for at least 20 minutes before making adjustments.)
- Performing the <Reset> of the <ColorManagement> menu returns the color settings to the default settings.
- The values shown in percentages represent the current level within the specific adjustment. They are available only as a reference tool. (To create a uniform white or black screen, the percentages for each will probably not be the same.)

### <Custom> mode: To adjust the color settings according to your preference

#### To set the Brightness of the screen

→  Use the <Brightness> adjustment.

The brightness of the entire screen is controlled by changing the brightness of the backlight.

Select <Brightness> in the screen menu and select the brightness by using the up and down buttons and then adjust by using the right and left buttons.

### NOTE

- Directly pressing the control buttons also adjusts the contrast and brightness. Press the <Enter> button to save and exit the settings after the adjustment.

#### To set the Contrast of the screen

→  Use the <Brightness> adjustment.


This controls the brightness for the each color (red, blue and green) at the same time.

Select <Brightness> in the screen menu and select the contrast by using the up and down buttons and then adjust by using the right and left buttons.

### NOTE

- Percentage except 100 % may cause undisplayable color tone.

### To set the color temperature (p. 51)

→ K Set the <Temperature>.

The <Temperature> can be set from 4,000 K to 10,000 K, in 500 K increments (including 9,300 K). Default setting is off (normal white).

#### NOTE

- The values shown in the Kelvin are available only as a reference tool.
- Setting the temperature under 4,000 K or over 10,000 K invalidates the color temperature setting. (The color temperature's setting turns "OFF".)

### To change the saturation

→  Use the <Saturation> adjustment.

The <Saturation> can be selected from -16 ~ 16. Setting the minimum level (-16) turns the image to the monochrome.

#### NOTE

- The <Saturation> adjustment may cause undisplayable color tone.

### To change the flesh color, etc.


→  Use the <Hue> adjustment.

The <Hue> can be selected from -20 to 20.

#### NOTE

- The <Hue> adjustment may cause undisplayable color tone.

### To change each color (red, green and blue)

→  Use the <Gain> (p. 50) adjustment

By adjusting the red, green and blue color tones for each mode, custom colors can be defined. The 100 % indicates unadjusted condition. Display a white or gray background image and adjust the <Gain>.

#### NOTE

- The values shown in the percentage are available only as a reference tool.
- Setting the <Temperature> (p. 28) invalidates the <Gain> adjustment. <Gain> setting returns to the default: All the color indicates 100 %.

### <sRGB> mode: To select <sRGB> mode

→ Select <sRGB>.

### To set the Brightness of the screen

→  Use the <Brightness> adjustment.

See p. 27.

## 4-4. Power-save Setup

The <PowerManager> menu in the ScreenManager enables to set the power-save setup.

### NOTE

- Do your part to conserve energy, turn off the monitor when you are finished using it. Disconnecting the monitor from the power supply is recommended to save energy completely.

## Analog Input

This monitor complies with the <VESA DPMS> (p. 51) standard and adopts a power saving method, <EIZO MPMS> (p. 50), which works with a blank screen (totally black screen) like “Blank Screen” ScreenSaver software.

### To use the PC's power saving system (VESA DPMS ).

#### [Procedure]

- (1) Set the PC's power saving settings.
- (2) Select “VESA DPMS” in the <PowerManager> menu.

#### [Power saving system]

PC		Monitor	Power Indicator
Operation		Operation	Blue
Power saving	STAND-BY SUSPEND OFF	Power saving	Yellow

Operate the mouse or keyboard to return to a normal screen.

## To set the power save with ScreenSaver (EIZO MPMS) software

### [Procedure]

- (1) Set the PC's appropriate ScreenSaver settings or blank the screen (totally black screen).
- (2) Select "EIZO MPMS" in the <PowerManager> menu.

### [Power saving system]

PC	Monitor	Power Indicator
Operation	Operation	Blue
Blank the screen (ScreenSaver or Macintosh Energy Saver)	Power saving	Yellow

Operate the mouse or keyboard to return to a normal screen.

### **NOTE**

- EIZO MPMS should be used with Macintosh "EnergySaver".

## Digital Input

This monitor complies with the DVI DMPM (p. 50).

### [Procedure]

- (1) Set the PC's power saving settings.
- (2) Select "VESA DPMS" in the <PowerManager> menu.

### [Power saving system]

PC	Monitor	Power Indicator
On	Operation	Blue
Power saving	Power saving	Yellow
Off mode	Power saving <sup>1)</sup>	Flashing yellow (2 times for each)

<sup>1)</sup>Power saving through the PC's off mode is only supported when "Manual" is selected on the ScreenManager's <Input Priority>.

### [Procedure]

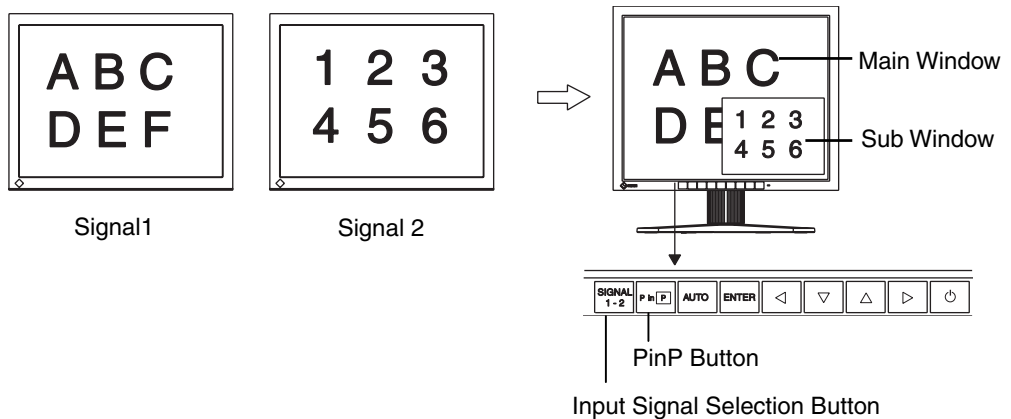
Operate the mouse or keyboard to return to a normal screen.

Power on the PC to return a normal screen from the Off mode of the PC.

# 5. ActiveShot Function

When two PCs are connected to the monitor, ActiveShot (Picture in Picture) function allows you to display both screen images on the Main window and Sub window at the same time. About connecting two PCs to a monitor, see p. 15.

[Example]



## 5-1. Operation

### To display/close the Sub window

ON: Press PinP button on the control panel.

OFF: Press the PinP button again.

### To switch the image of main and Sub window

Pressing the Input signal selection button (Signal 1-2) switches the signal of Main window and Sub window.

#### **NOTE**

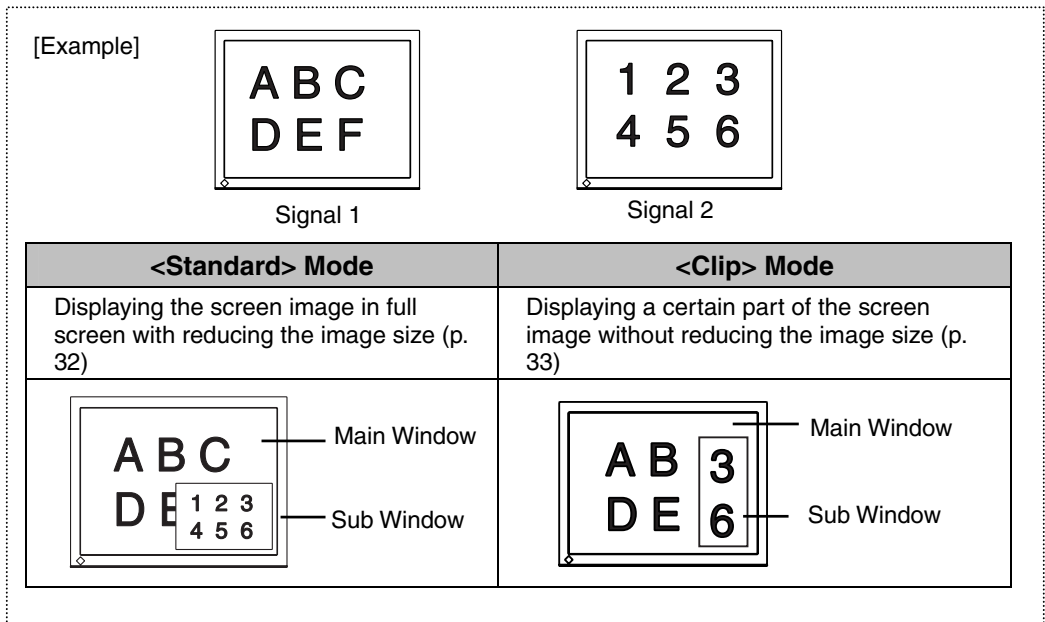
- When using the ActiveRotation function (p. 35), the ActiveShot function cannot be used.
- When using the ActiveShot function, some animated images may flicker.

## 5-2. Sub Window Settings

### Display Mode

<Standard> and <Clip> modes are available for displaying the Sub window (refer to following figures) for displaying the Sub window.

The mode is set on the <Picture in Picture> menu of ScreenManager.



### <Standard> Mode

Displaying the screen image in full screen with reducing the image size in the Sub window. Select <Standard> mode on <Picture in Picture> menu of ScreenManager.

#### To select the size

→  Select <Window Size>.

This sets the window size from “Large” (approx. 1/4) or “Small” (approx. 1/16). Select the size of the Sub window, “Large” or “Small” in <Window Size>.

#### **NOTE**

- After selecting the size, the actual Sub window size depends on the input signal.

#### To adjust the position

→  Select <Window Position>.

This adjusts the position of the Sub window.

Select <Window Position> and adjust the position by using the up, down, right and left buttons.



## To set the Contrast

→  Select <Window Contrast>.

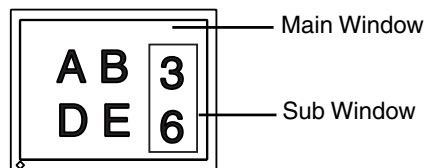
This controls the brightness for the each color (red, blue and green) at the same time.

Select <Window Contrast> and adjust by using the right and left buttons.

## <Clip> Mode

Displaying a certain part of the screen image in the Sub window.





Select <Clip> mode on the <Picture in Picture> menu of ScreenManager.

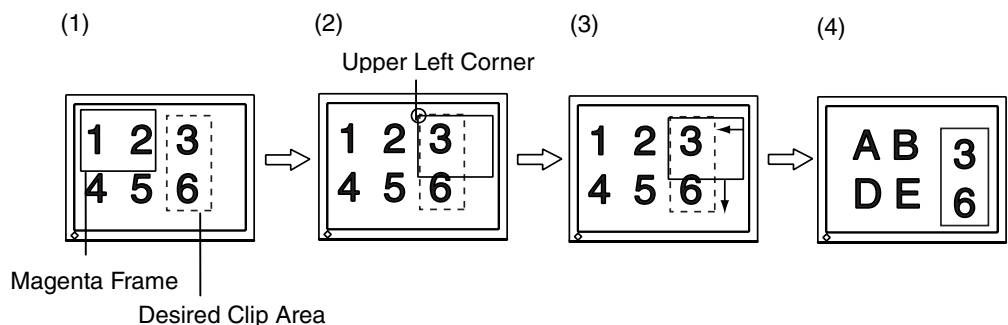


## Setting up the Clipping Area

→  Select <Clip Area> icon to set up the clipping area.

[Procedure]

- (1)  By selecting the <Clip Area> icon, the Sub window will be displayed in full screen and pink frame will appear on it.
- (2)  Select the <Clip Position> icon. By using the up, down, right and left buttons, position the upper-left corner of the displayed frame to the the upper-left corner of a desired clip area. Press enter button to decide it.
- (3)  Select <Clip Size>. By using the up, down, right and left buttons, adjust the frame size to fit to a desired area on the screen image. (There is a limitation in the frame size.)
- (4)  By selecting <Return> icon, the desired clip area is appeared as the Sub window.



### To adjust the position

→  Select <Window Position>.

This adjusts the position of the Sub window.

Select <Window Position> and adjust the position by using the up, down, right and left buttons.

### To set the Contrast

→  Select <Window Contrast>.

This controls the brightness for the each color (red, blue and green) at the same time. Select <Window Contrast> and adjust by using the right and left buttons.

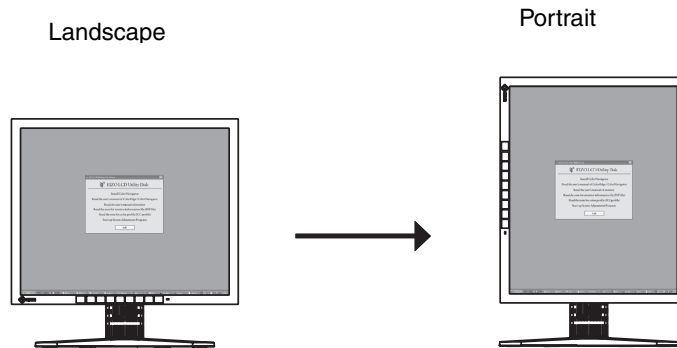
## 5-3. Settings using the Control Buttons

The brightness, contrast, size and position of the Sub window can be adjusted easily by using the Enter button and Control buttons. Refer to the enclosed Quick Reference for the details.

# 6. ActiveRotation Function

ActiveRotation function allows you to change the display orientation of the monitor to portrait without using any commercial software if you use a particular graphics card.

**Refer to Web site of EIZO NANA O CORPORATION for the latest information about the supported graphics card (<http://www.eizo.com/>).**



## NOTE

- When using the ActiveShot function (p. 31), the ActiveRotation function cannot be used.
- When connecting two PCs, another screen image may not be displayed in appropriate portrait style.

## Operating Procedures

Operating method depends on the graphics card.

Refer to Web site of EIZO NANA O CORPORATION.

### Using the “ActiveRotation” Application (for Windows)

The application allows you to change the display orientation of the monitor to portrait easily. Refer to the readme.txt in the EIZO LCD Utility Disk for the details.

### Using the ScreenManager

- (1) Select “Portrait (HW)” in the <Orientation> menu of the ScreenManager.
- (2) Turn the monitor 90 degrees.
- (3) Restart the PC. (If the Start button of the Windows is hidden, press the [Windows] key or [Ctrl], [Alt] and [Delete] keys at the same time.)
- (4) The display orientation will be changed to portrait. (When changing the preferred resolution, click the [Properties]-[Settings] tab to set the resolution.)

#### **NOTE**

- When changing the display orientation to landscape again, select “Landscape” in the <Orientation> menu of the ScreenManager and then restart the PC.
- When using the ActiveRotation function, resetting the ScreenManager causes the monitor to be in landscape style. Restart the PC and follow the above procedures to change the display orientation to portrait again.

### When you don't use a particular graphics card:

Use the commercial software to change the display orientation.

#### **NOTE**

- When changing the orientation of the ScreenManager, select the “Portrait(SW)” in the <Orientation> menu of the ScreenManager.

# 7. Recommended Functions

Use the following functions according to need.

Function	Reference
Adjust the screen image when displaying low resolutions.	4-2. Displaying a Low Resolutions (p. 25)
Adjust the screen (the clock, phase, position and resolution) automatically.	The monitor displays the digital input image correctly based on its pre-setting data. 4-1. Screen Adjustment (p. 21)
Set the monitor's off timer to on or off.	Off Timer (p. 19)
Lock the adjusted settings.	Adjustment Lock (p. 19)
Change the display orientation of the monitor to portrait.	6. ActiveRotation Function (p. 35)

## When Connecting Two PCs to the Monitor:

Function	Reference
Display the Sub window.	5. ActiveShot Function (p. 31)
Select the priority input signal.	The Priority Input Signal (p. 16)

# 8. MAKING USE OF USB (Universal Serial Bus)

This monitor provides a hub which supports the USB standard. When connecting to a USB compliant PC or another hub, the monitor functions as a hub to which the USB compliant peripherals can be easily connected.

## Required system environment

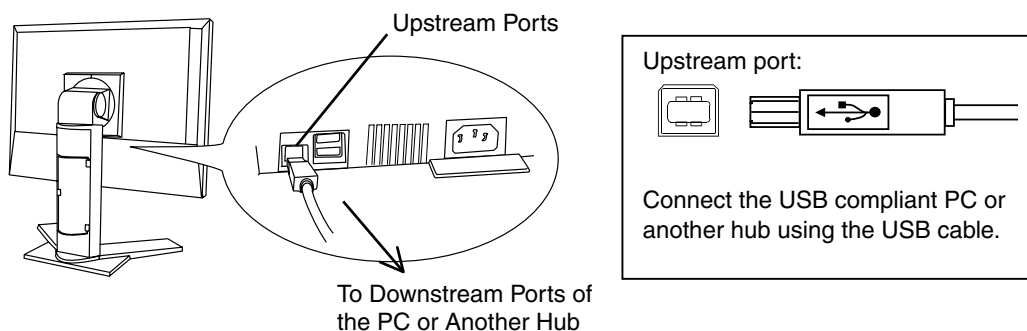
- PC equipped with USB ports or another USB hub connected to the USB compliant PC
- Windows 98/2000 // Mac OS 8.5.1 or later
- EIZO USB Cable (Enclosed)

### NOTE

- The USB hub function may not work properly depending on the PC or peripherals. Please consult the manufacturer of each device about the USB support.
- Using the USB Rev. 2.0 compatible PC or peripherals is recommended.
- When the monitor is not on, the peripherals connected to the downstream ports will not operate.
- Even if the monitor is in a power saving mode, the devices connected to the monitor's USB ports (both the upstream and the downstream) will function.
- The followings are procedures for the Windows 98/Me/2000 and Mac OS.

## Connecting to the USB HUB

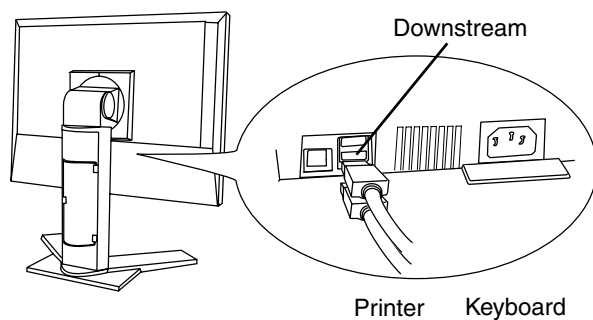
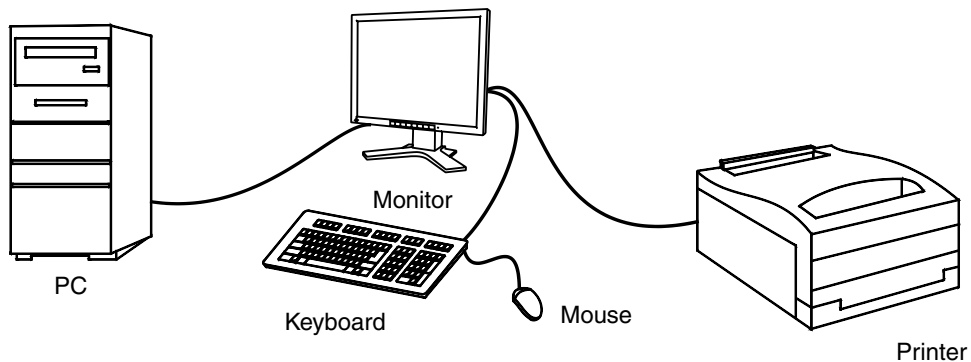
1. Connect the monitor to the PC with the signal cable (See page 13) first, then turn on the PC.
2. Connect the upstream port of the monitor to the downstream port of the USB compliant PC or another hub by using the USB cable.



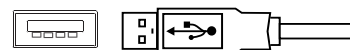
After connecting the USB cable, the USB function can be set up automatically.

3. After setting up, the monitor's USB hub is available for connecting USB compliant peripherals to the downstream ports of the monitor.

### Connecting Examples



Downstream ports:



Connect the cables from USB compliant peripherals such as a mouse, keyboard, etc.

# 9. ATTACHING AN ARM

The LCD monitor can be used with an arm or stand by removing the tilt stand and attaching the arm stand to the LCD monitor.

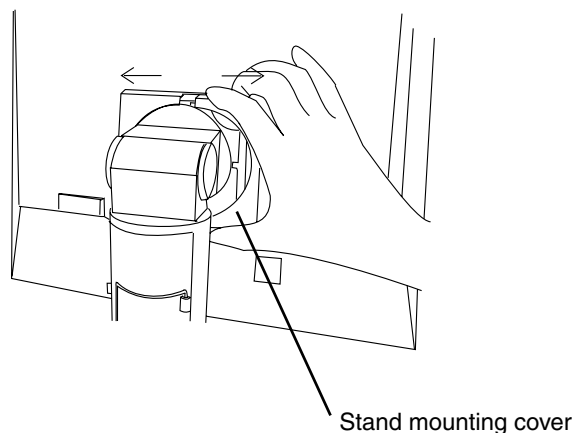
Using our optional arm or stand is recommended. (Ask your local dealer for information.)

## NOTE

- If you will use the arm or stand of other manufacturers, confirm the followings to the manufacturers before selecting.
  - Hole spacing on the arm mounting: 100 mm x 100 mm (VESA compliant)
  - Supportable Weight: Total weight of the monitor (without stand) and attaching equipment such as a cable
  - TÜV/GS approved arm or stand
- Please connect cables after attaching an arm stand.

## Setup Procedure

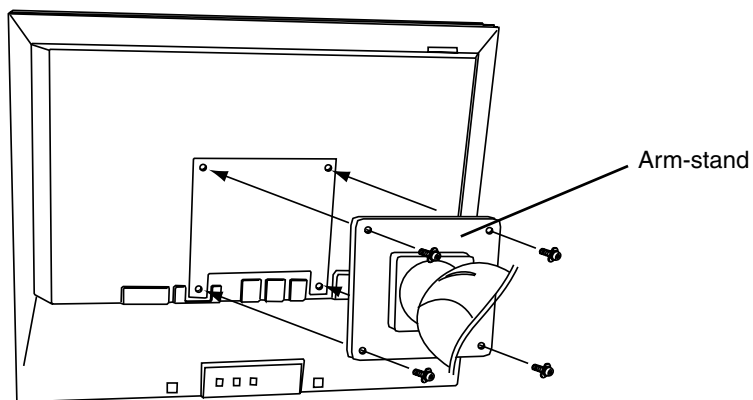
- 1.** Hold the center of the stand mounting cover and slide them rightward or leftward to remove the mounting cover.



- 2.** Lay the LCD monitor down. Do not scratch the panel.
- 3.** Remove the tilt stand by loosening the screws. (4 pcs of M4 x 15 BZn/Fe)



#### 4. Attach an arm stand to the LCD monitor securely.



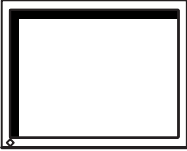
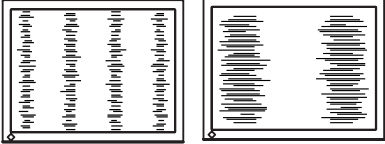


4 Mounting Screws: M4 x 15 (mm) BZn/Fe

# 10. TROUBLESHOOTING

If a problem persists even after applying the suggested remedies, contact an EIZO dealer.

- No picture problems → See No.1 ~ No.2
- Imaging problems → See No.3 ~ No.13
- Other problems → See No.14 ~ No.19

Problems	Points to check with possible solutions
<b>1. No picture</b> <ul style="list-style-type: none"> <li>• Indicator status: Off</li> </ul>	<input type="checkbox"/> Check that the power cord is correctly connected. If the problem persists, turn off the monitor power for a few minutes, then turn it back on and try again.
<ul style="list-style-type: none"> <li>• Indicator status: Blue</li> <li>• Indicator status: Yellow</li>   <li>• Indicator status: Slowly flashing Yellow</li> <li>• Indicator status: Flashing Yellow (twice for each)</li> </ul>	<input type="checkbox"/> Check the contrast and brightness settings. <input type="checkbox"/> Switch the signal input by pressing the input signal selection button on the front control panel. <input type="checkbox"/> Try pressing a key on the keyboard, or clicking the mouse. (p. 29) <input type="checkbox"/> Try pressing the power button. <input type="checkbox"/> Try turning the PC on.
<b>2. Error messages shown below will remain on the screen for 40 seconds.</b> <div data-bbox="211 1097 550 1277" style="border: 2px solid black; padding: 5px; margin: 10px 0;"> <p style="text-align: center;"><b>Signal Check</b></p> <p style="text-align: center;">Signal 2</p> <p>fH: 0.0kHz fV: 0.0Hz</p> </div>	<p>These messages appear when the signal is not inputted correctly, even if the monitor functions properly.</p> <input type="checkbox"/> When the image is displayed correctly after a short time, there is no problem with the monitor. (Some PCs do not output the signal soon after powering on.) <input type="checkbox"/> Check that the PC is turned ON. <input type="checkbox"/> Check that the signal cable is properly connected to the PC or graphics board. <input type="checkbox"/> Switch the signal input by pressing the input signal selection button on the front control panel.
<ul style="list-style-type: none"> <li>• Whenever an error signal message appears, the signal frequency will be displayed in red. (Example)</li> </ul> <div data-bbox="211 1508 550 1688" style="border: 2px solid black; padding: 5px; margin: 10px 0;"> <p style="text-align: center;"><b>Signal Error</b></p> <p style="text-align: center;">Digital</p> <p>fD: 125.0MHz fH: 80.0kHz fV: 60.0Hz</p> </div>	<input type="checkbox"/> Use the graphics board's utility software to change the frequency setting. (Refer to the manual of the graphics board.)

Problems	Points to check with possible solutions
<p><b>3. Display position is incorrect.</b></p> 	<ul style="list-style-type: none"> <li><input type="checkbox"/> Adjust the image position using the &lt;Position&gt; (p. 23)</li> <li><input type="checkbox"/> If the problem persists, use the graphics board's utility software to change the display position if available.</li> </ul>
<p><b>4. Screen image is smaller or larger than the actual screen images.</b></p>	<ul style="list-style-type: none"> <li><input type="checkbox"/> Adjust the resolution using the &lt;Resolution&gt; (p. 23)</li> </ul>
<p><b>5. Vertical bars of distortion appear.</b></p> 	<ul style="list-style-type: none"> <li><input type="checkbox"/> Decrease the vertical bars using the &lt;Clock&gt;. (p. 22)</li> </ul>
<p><b>6. Horizontal bars of distortion appear.</b></p> 	<ul style="list-style-type: none"> <li><input type="checkbox"/> Decrease the horizontal bars using the &lt;Phase&gt;. (p. 22)</li> </ul>
<p><b>7. Letters and lines appear blurred.</b></p>	<ul style="list-style-type: none"> <li><input type="checkbox"/> Adjust the blurred lines using &lt;Smoothing&gt; (p. 26)</li> </ul>
<p><b>8. Distortion appears like the figure below.</b></p> 	<ul style="list-style-type: none"> <li><input type="checkbox"/> This happens when both composite (X-OR) input signal and separate vertical synchronizing signal are input. Please select one of the two.</li> </ul>
<p><b>9. The screen is too bright or too dark.</b></p>	<ul style="list-style-type: none"> <li><input type="checkbox"/> Adjust the contrast and brightness. (The backlight of the LCD monitor has a fixed life span. When the screen becomes dark or begins to flicker, please contact your dealer.)</li> </ul>
<p><b>10. Afterimages appear.</b></p>	<ul style="list-style-type: none"> <li><input type="checkbox"/> When the screen image is changed after displaying the same image for a long period, an afterimage may appear. The "Afterimage" can be removed gradually by changing the displayed image. Use the "Off Timer" function and avoid keeping the screen on all the time. (p. 19)</li> </ul>

Problems	Points to check with possible solutions
<b>11. The screen has defective pixels (e.g. slightly light or dark).</b>	<input type="checkbox"/> This is due to the characteristics of the panel itself, and not the LCD product.
<b>12. Fingerprints remain on the screen.</b>	<input type="checkbox"/> Leaving the screen white may solve the problem.
<b>13. The noise appears on the screen.</b>	<input type="checkbox"/> Change the mode in <Signal Filter> in the <Screen> menu.
<b>14. The &lt;Smoothing&gt; cannot be selected.</b>	<input type="checkbox"/> <Smoothing> is disabled when the screen is displayed in the 1280 x1024. <input type="checkbox"/> The image size is doubled both in horizontally and vertically to (i.e. 1280 x 960 enlarged from 640 x 480) provide clear focus which does not require this function. <input type="checkbox"/> Check that the ActiveRotation (p. 35) function is not used.
<b>15. The Enter button does not operate.</b>	<input type="checkbox"/> The adjustment lock is probably on. To unlock: switch the LCD monitor off. Then, while pressing the Auto adjustment button, switch the power on. (p. 19)
<b>16. The Auto adjustment button does not operate.</b>	<input type="checkbox"/> The Auto adjustment button does not operate when the digital signal is inputted. <input type="checkbox"/> The adjustment lock is probably on. To unlock: switch the LCD monitor off. Then, while pressing the Auto adjustment button, switch the power on. (p. 19) <input type="checkbox"/> The Auto sizing function is intended for use on the Macintosh and on AT-compatible PC running Windows. It may not work properly in either of the following cases. When running an AT-compatible PC on MS-DOS (Not windows). The background color for the “wall paper” or “desktop” pattern is set to black. Some signals from a graphics board may not function properly.

Problems	Points to check with possible solutions
<b>17. Frequency does not change after installing “Monitor information file” in the attached utility disk on Windows 98/2000/XP.</b>	<input type="checkbox"/> Use the graphics board’s utility software to change the input signal frequency.
<b>18. The ActiveShot function cannot be operated.</b>	<input type="checkbox"/> Check that the ActiveRotation function is not used. (p. 35)
<b>19. The ActiveRotation function cannot be operated.</b>	<input type="checkbox"/> Check that the ActiveShot function is not used. (p. 31)

# 11. CLEANING

Periodic cleaning is recommended to keep the monitor looking new and to prolong its operation lifetime.

## **NOTE**

- Never use thinner, benzene, alcohol (ethanol, methanol, or isopropyl alcohol), abrasive cleaners, or other strong solvents, as these may cause damage to the cabinet or LCD panel.

## **Cabinet**

To remove stains, wipe the cabinet with a soft, lightly moistened cloth using a mild detergent. Do not spray wax or cleaner directly into the cabinet. (For details, refer to the manual of the PC.)

## **LCD Panel**

- The LCD surface can be cleaned with a soft cloth, such as cotton or lens paper.
- If necessary, stubborn stains can be removed by moistening part of a cloth with water to enhance its cleaning power.

# 12. SPECIFICATIONS

LCD Panel	48 cm (19.0 inch), TFT color LCD panel with Anti-Glare Hard Coating, Viewing Angle: Horizontal: 170°, Vertical: 170°
Dot Pitch	0.294 mm
Horizontal Scan Frequency	Analog: 30 ~ 82 kHz (Automatic), Digital: 30 ~ 81 kHz
Vertical Scan Frequency	Analog: 49 ~ 86 Hz (Automatic) (1280 x 1024: ~ 76 Hz) Digital: 59 ~ 61 Hz, (VGA TEXT : 70Hz)
Resolution	1280 dots x 1024 lines
Dot Clock (Max.)	Analog: 140 MHz, Digital: 120 MHz
Display Colors	16 million colors (max)
Display Area	376 mm (H) x 301 mm (V) (14.8" (H) x 11.9" (V)) (Viewable image size: 483 mm (19.0"))
Power Supply	100-120/200-240 VAC±10%, 50/60 Hz, 0.6 /0.4 A
Power Consumption	Min.: 53 W Max.: 60 W (With speaker and USB hub) Power Saving Mode: Less than 3 W (When the optional speaker or the USB hub is not connected.)
Input Connector	D-Sub mini 15 pin, DVI-I
Analog Input Signal (Sync)	a) Separate, TTL, Positive/Negative b) Composite, TTL, Positive/Negative c) Sync on Green, 0.3 Vp-p, Negative (except in portrait style)
Analog Input Signal (Video)	0.7Vp-p/75Ω Positive
Input Signal (Digital)	TMDS (Single Link)
Signal registration	55 (Factory preset: 25)
Plug & Play	VESA DDC 2B
Dimensions	414 mm (W) x 409.5~ 509.5 mm (H) x 202.7 mm (D) (16.3"(W) x 16.1" ~ 20.1" (H) x 8.0"(D))
Dimensions (without stand)	414mm (W) x 340mm (H) x 62mm (D) (16.3"(W) x 13.4"(H) x 2.44"(D))
Weight	7.5kg (16.5 lbs.)
Weight (without stand)	5.2kg (11.5 lbs.)
Temperature	Operating: 0°C ~ 35°C (32°F ~ 95°F) Storage: -20°C ~ 60°C (-4°F ~ 140°F) Humidity 30% to 80% R.H. Non-condensing
USB standard	Rev. 2.0 complied self-powered hub
Communication speed	480 Mbps (high), 12 Mbps (full), 1.5 Mbps (low)
Downstream power supply	500 mA for each (Max.)
USB ports	Upstream port x 1, Downstream port x 2
Certifications and Standards	
100-120 VAC	NRTL/C-TÜV, FCC-B, TCO'03 <sup>1</sup> , TCO'99 <sup>2</sup> , EPA ENERGY STAR Program, TÜV/Rheinland Ergonomics Approved
200-240 VAC	CE, CB, TÜV Rheinland/GS, TCO'03 <sup>1</sup> , TCO'99 <sup>2</sup> , EPA ENERGY STAR Program, TÜV/Rheinland Ergonomics Approved

<sup>1</sup> Applicable to gray color version only.

<sup>2</sup> Applicable to black color version only

### Default settings

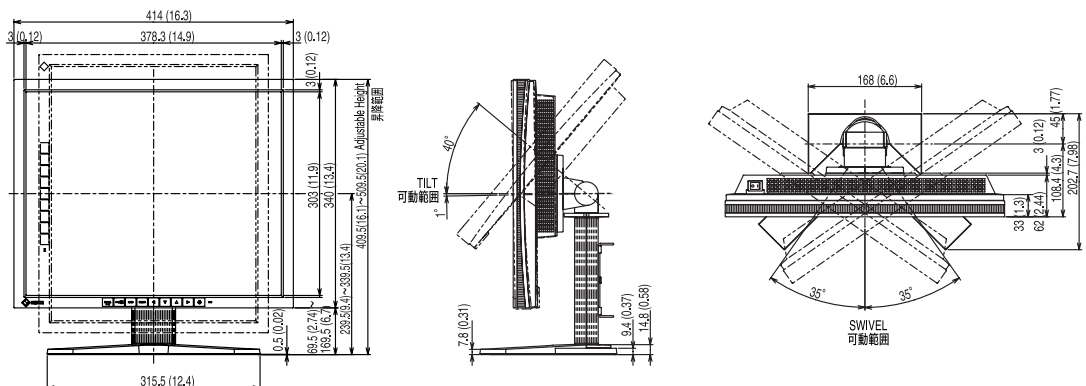
		Analog input	Digital input
Contrast		100%	100%
Brightness		100%	100%
Smoothing		3	
ColorManagement	Color Mode	Custom	Custom
	Temperature	Off (Normal white)	Off (Normal white)
PowerManager		VESA DPMS	DVI DMPM
Screen Size		Full	
Input Priority		1	
Menu Off Timer		Disable	
Menu Settings	Menu Size	Normal	
	Menu Off Timer	45 seconds	
Beep		On	
Orientation		Landscape	
Power Indicator		Enable	
Language		English	

### Beeper settings

Short beep	ScreenManager item selected. ScreenManager parameter adjusted to minimum or maximum limit. Input signal selection button pressed.
Long beep	Auto Adjustment button pressed. ScreenManager data-save executed.
4 short beeps	Monitor not connected correctly. PC turned off. Monitor received unsupported signal frequency.
2 short beeps every 15 sec.	Monitor is in the advance notice mode of the Off Timer. The power will be off within fifteen minutes.

### Dimensions

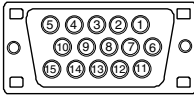
mm (inches)





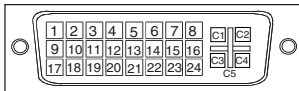
## Pin Assignment

### D-Sub mini 15 pin connector



Pin No.	Signal	Pin No.	Signal	Pin No.	Signal
1	Red video	6	Red ground	11	Ground Shorted
2	Green video	7	Green ground	12	Data (SDA)
3	Blue video	8	Blue ground	13	H. Sync
4	Ground	9	No pin	14	V. Sync
5	No pin	10	Ground Shorted	15	Clock (SCL)

### DVI-I Connector

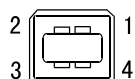


Pin No.	Signal	Pin No.	Signal	Pin No.	Signal
1	TMDS Data2-	11	TMDS Data1/3 Shield	21	NC
2	TMDS Data2+	12	NC	22	TMDS Clock shield
3	TMDS Data2/4 Shield	13	NC	23	TMDS Clock+
4	NC*	14	+5V Power	24	TMDS Clock-
5	NC	15	Ground (return for +5V, Hsync and Vsync)	C1	Analog Red
6	DDC Clock (SCL)	16	Hot Plug Detect	C2	Analog Green
7	DDC Data (SDA)	17	TMDS Data0-	C3	Analog Blue
8	Analog Vertical Sync	18	TMDS Data0+	C4	Analog Horizontal Sync
9	TMDS Data1-	19	TMDS Data0/5 Shield	C5	Analog Ground (analog R, G, & B return)
10	TMDS Data1+	20	NC		

(\*NC: No Connection)

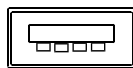
### USB Ports

Upstream



Series B

Downstream



Series A

No.	Signal	Signal
1	VCC	Cable power
2	- Data	Serial data
3	+ Data	Serial data
4	Ground	Cable Ground

# 13. GLOSSARY

## Afterimage

The Afterimage is particular to LCD monitors when the monitor screen is left on for a long period without use. The “Afterimage” can be removed gradually by changing the displayed image.

## Clock

With the analog input signal display, the analog signal is converted to a digital signal by the LCD circuitry. To convert the signal correctly, the LCD monitor needs to produce the same number clock pulse as the dot clock of the graphics system. When the clock pulse is not correctly set, some vertical bars of distortion are displayed on the screen.

## DVI

(Digital Visual Interface)

A digital flat panel interface. DVI can transmit digital data from the PC directly without loss with the signal transition method “TMDS”.

There are two kinds of DVI connectors. One is DVI-D connector for digital signal input only. The other is DVI-I connector for both digital and analog signal inputs.

## DVI DMPM

(DVI Digital Monitor Power Management)

The Power management system for the digital interface. The “Monitor ON” status (operation mode) and the “Active Off” status (power-saving mode) are indispensable for the DVI-DMPM as the monitor’s power mode.

## EIZO MPMS

(EIZO Monitor PowerManager Signaling)

EIZO MPMS, “EIZO Monitor PowerManager Signaling” also enables power saving on the monitor side. EIZO MPMS recognizes video signals from the PC when the PC is in a power saving mode, and reduces energy consumption of the monitor.

## Gain Adjustment

Adjusts each color parameter for red, green and blue. The color of the LCD monitor is displayed through the color filter of the LCD panel. Red, green and blue are the three primary colors. The colors on the monitor are displayed by combining these three colors. The color tone can change by adjusting the illumination amount passed through each color’s filter.

## Phase

The phase adjustment decides the sampling timing point for converting the analog input signal to a digital signal. Adjusting the phase after the clock adjustment will produce a clear screen.

## Range Adjustment

The Range Adjustment controls the level of output signal range to display the whole color gradation.

## Resolution

The LCD panel consists of a fixed number of pixel elements which are illuminated to form the screen image. The EIZO L795 display panel consists of 1280 horizontal pixels and 1024 vertical pixels. At a resolution of 1280 x 1024, all pixels are displayed as a full screen.

## sRGB (Standard RGB)

“International Standard for Red, Green, and Blue color space”

A color space was defined with the aim of the color matching between applications and hardware devices, such as monitors, scanners, printers and digital cameras. As a standard default space, sRGB allows Internet users to closely match colors.

## Temperature

Color temperature is a method to measure the white color tone, generally indicated in degrees Kelvin. At high temperatures the white tone appears somewhat blue, while at lower temperatures it appears somewhat red. Computer monitors generally give best performance at high temperature settings.

5,000K: Often used in printing industry.

6,500K: Good for video-image display.

9,300K: Default setting for your EIZO monitor.

## TMDS

(Transition Minimized Differential Signaling)

A signal transition method for the digital interface

## VESA DPMS

(Video Electronics Standards Association – Display Power Management Signaling)

The acronym VESA stands for “Video Electronics Standards Association”, and DPMS stands for “Display Power Management Signaling.” DPMS is a communication standard that PCs and graphics boards use to implement power savings on the monitor side.

---

# APPENDIX/ANHANG/ANNEXE

## Preset Timing Chart for Analog input Timing-Übersichten für Analog Eingang Synchronisation des Signaux pour Analog numerique

Based on the signal diagram shown below 25 factory presets have been registered in the monitor's microprocessor.

Der integrierte Mikroprozessor des Monitors unterstützt 25 werkseitige Standardeinstellungen (siehe hierzu die nachfolgenden Diagramme).

25 signaux ont été enregistrés en usine dans le microprocesseur du moniteur, conformément au diagramme de synchronisation ci-dessous.

Mode	Dot Clock MHz	Frequencies		Sync Polarity	
		H kHz	V Hz	H	V
VGA 640 × 480 @60 Hz	25.175	31.469	59.940	Nega.	Nega.
VGA 720 × 400 @70 Hz	28.322	31.468	70.087	Nega.	Posi.
Macintosh 640 × 480 @67 Hz	30.240	35.000	66.667	Nega.	Nega.
Macintosh 832 × 624 @75 Hz	57.280	49.722	74.546	Nega.	Nega.
Macintosh 1152 × 870 @75 Hz	100.000	68.681	75.062	Nega.	Nega.
Macintosh 1280 × 960 @75 Hz	126.200	74.763	74.763	Posi.	Posi.
VESA 640 × 480 @72 Hz	31.500	37.861	72.809	Nega.	Nega.
VESA 640 × 480 @75 Hz	31.500	37.500	75.000	Nega.	Nega.
VESA 640 × 480 @85 Hz	36.000	43.269	85.008	Nega.	Nega.
VESA 800 × 600 @56 Hz	36.000	35.156	56.250	Posi.	Posi.
VESA 800 × 600 @60 Hz	40.000	37.879	60.317	Posi.	Posi.
VESA 800 × 600 @72 Hz	50.000	48.077	72.188	Posi.	Posi.
VESA 800 × 600 @75 Hz	49.500	46.875	75.000	Posi.	Posi.
VESA 800 × 600 @85 Hz	56.250	53.674	85.061	Posi.	Posi.
VESA 1024 × 768 @60 Hz	65.000	48.363	60.004	Nega.	Nega.
VESA 1024 × 768 @70 Hz	75.000	56.476	70.069	Nega.	Nega.
VESA 1024 × 768 @75 Hz	78.750	60.023	75.029	Posi.	Posi.
VESA 1024 × 768 @85 Hz	94.500	68.677	84.997	Posi.	Posi.
VESA 1152 × 864 @75 Hz	108.000	67.500	75.000	Posi.	Posi.
VESA 1280 × 960 @60 Hz	108.000	60.000	60.000	Posi.	Posi.
VESA 1280 × 1024 @60 Hz	108.000	63.981	60.020	Posi.	Posi.
VESA 1280 × 1024 @75 Hz	135.000	79.976	75.025	Posi.	Posi.
Workstation 1152 × 960 @66 Hz	94.200	61.974	66.141	Composite, Nega.	
Workstation 1152 × 960 @76 Hz	107.500	71.858	76.202	Composite, Nega.	
Workstation 1280 × 1024 @67 Hz	117.000	71.691	67.189	Composite, Nega.	

[Applicable to gray cabinet version only.]



Congratulations!

The display you have just purchased carries the TCO'03 Displays label. This means that your display is designed, manufactured and tested according to some of the strictest quality and environmental requirements in the world. This makes for a high performance product, designed with the user in focus that also minimizes the Impact on our natural environment.

Some of the features of the TCO'03 Display requirements:

#### Ergonomics

- Good visual ergonomics and image quality in order to improve the working environment for the user and to reduce sight and strain problems. Important parameters are luminance, contrast, resolution, reflectance, colour rendition and image stability.

#### Energy

- Energy-saving mode after a certain time – beneficial both for the user and environment
- Electrical safety
- Emissions  
Electromagnetic fields
- Noise emissions

#### Ecology

- The products must be prepared for recycling and the manufacturer must have a certified environmental management system such as EMAS or ISO 14000
- Restrictions on
  - chlorinated and brominated flame retardants and polymers
  - heavy metals such as cadmium, mercury and lead.

The requirements included in this label have been developed by TCO Development in co-operation with scientists, experts, users as well as manufacturers all over the world. Since the end of the 1980s TCO has been involved in influencing the development of IT equipment in a more user-friendly direction. Our labeling system with displays in 1992 and is now requested by users and IT-manufacturers all over the world.

For more information, please visit  
**[www.tcodevelopment.com](http://www.tcodevelopment.com)**

[Applicable to black cabinet version only]



### **Congratulations!**

You have just purchased a TCO'99 approved and labelled product! Your choice has provided you with a product developed for professional use. Your purchase has also contributed to reducing the burden on the environment and also to the further development of environmentally adapted electronics products.

### **Why do we have environmentally labelled computers?**

In many countries, environmental labelling has become an established method for encouraging the adaptation of goods and services to the environment. The main problem, as far as computers and other electronics equipment are concerned, is that environmentally harmful substances are used both in the products and during their manufacture. Since it is not so far possible to satisfactorily recycle the majority of electronics equipment, most of these potentially damaging substances sooner or later enter nature.

There are also other characteristics of a computer, such as energy consumption levels, that are important from the viewpoints of both the work (internal) and natural (external) environments. Since all methods of electricity generation have a negative effect on the environment (e.g. acidic and climate-influencing emissions, radioactive waste), it is vital to save energy. Electronics equipment in offices is often left running continuously and thereby consumes a lot of energy.

### **What does labelling involve?**

This product meets the requirements for the TCO'99 scheme which provides for international and environmental labelling of personal computers. The labelling scheme was developed as a joint effort by the TCO (The Swedish Confederation of Professional Employees), Svenska Naturskyddsforeningen (The Swedish Society for Nature Conservation) and Statens Energimyndighet (The Swedish National Energy Administration).

Approval requirements cover a wide range of issues: environment, ergonomics, usability, emission of electric and magnetic fields, energy consumption and electrical and fire safety.

The environmental demands impose restrictions on the presence and use of heavy metals, brominated and chlorinated flame retardants, CFCs (freons) and chlorinated solvents, among other things. The product must be prepared for recycling and the manufacturer is obliged to have an environmental policy which must be adhered to in each country where the company implements its operational policy.

The energy requirements include a demand that the computer and/or display, after a certain period of inactivity, shall reduce its power consumption to a lower level in one or more stages. The length of time to reactivate the computer shall be reasonable for the user.

Labelled products must meet strict environmental demands, for example, in respect of the reduction of electric and magnetic fields, physical and visual ergonomics and good usability.

You will find a brief summary of the environmental requirements met by this product on the right. The complete environmental criteria document may be ordered from:

TCO Development

SE-114 94 Stockholm, Sweden

Fax: +46 8 782 92 07

Email (Internet): [development@tco.se](mailto:development@tco.se)

Current information regarding TCO'99 approved and labelled products may also be obtained via the Internet, using the address: <http://www.tco-info.com/>

## Environmental Requirements

### Flame retardants

Flame retardants are present in printed circuit boards, cables, wires, casings and housings. Their purpose is to prevent, or at least to delay the spread of fire. Up to 30% of the plastic in a computer casing can consist of flame retardant substances. Most flame retardants contain bromine or chloride, and those flame retardants are chemically related to another group of environmental toxins, PCBs. Both the flame retardants containing bromine or chloride and the PCBs are suspected of giving rise to severe health effects, including reproductive damage in fish-eating birds and mammals, due to the bio-accumulative\* processes. Flame retardants have been found in human blood and researchers fear that disturbances in foetus development may occur.

The relevant TCO'99 demand requires that plastic components weighing more than 25 grams must not contain flame retardants with organically bound bromine or chlorine. Flame retardants are allowed in the printed circuit boards since no substitutes are available.

### Cadmium\*\*

Cadmium is present in rechargeable batteries and in the colour-generating layers of certain computer displays. Cadmium damages the nervous system and is toxic in high doses.

The relevant TCO'99 requirement states that batteries, the colour-generating layers of display screens and the electrical or electronics components must not contain any cadmium.

### Mercury\*\*

Mercury is sometimes found in batteries, relays and switches. It damages the nervous system and is toxic in high doses.

The relevant TCO'99 requirement states that batteries may not contain any mercury. It also demands that mercury is not present in any of the electrical or electronics components associated with the labelled unit.

### CFCs (freons)

The relevant TCO'99 requirement states that neither CFCs nor HCFCs may be used during the manufacture and assembly of the product. CFCs (freons) are sometimes used for washing printed circuit boards. CFCs break down ozone and thereby damage the ozone layer in the stratosphere, causing increased reception on earth of ultraviolet light with e.g. increased risks of skin cancer (malignant melanoma) as a consequence.

### Lead\*\*

Lead can be found in picture tubes, display screens, solders and capacitors. Lead damages the nervous system and in higher doses, causes lead poisoning.

The relevant TCO'99 requirement permits the inclusion of lead since no replacement has yet been developed.

\* Bio-accumulative is defined as substances which accumulate within living organisms.

\*\* Lead, Cadmium and Mercury are heavy metals which are Bio-accumulative.

For U.S.A, Canada, etc. (rated 100-120 Vac) Only

---

## FCC Declaration of Conformity

We, the Responsible Party

EIZO NANAOTECHNOLOGIES INC.  
5710 Warland Drive, Cypress, CA 90630  
Phone: (562) 431-5011

declare that the product

Trade name: EIZO  
Model: FlexScan L795

is in conformity with Part 15 of the FCC Rules. Operation of this product is subject to the following two conditions: (1) this device may not cause harmful interference, and (2) this device must accept any interference received, including interference that may cause undesired operation.

This equipment has been tested and found to comply with the limits for a Class B digital device, pursuant to Part 15 of the FCC Rules. These limits are designed to provide reasonable protection against harmful interference in a residential installation. This equipment generates, uses, and can radiate radio frequency energy and, if not installed and used in accordance with the instructions, may cause harmful interference to radio communications. However, there is no guarantee that interference will not occur in a particular installation. If this equipment does cause harmful interference to radio or television reception, which can be determined by turning the equipment off and on, the user is encouraged to try to correct the interference by one or more of the following measures.

- \* Reorient or relocate the receiving antenna.
- \* Increase the separation between the equipment and receiver.
- \* Connect the equipment into an outlet on a circuit different from that to which the receiver is connected.
- \* Consult the dealer or an experienced radio/TV technician for help.

Changes or modifications not expressly approved by the party responsible for compliance could void the user's authority to operate the equipment.

### Note

Use the attached specified cable below or EIZO signal cable with this monitor so as to keep interference within the limits of a Class B digital device.

- AC Cord
- Shielded Signal Cable (enclosed)

---

## Canadian Notice

This Class B digital apparatus complies with Canadian ICES-003.

Cet appareil numérique de la classe B est conforme à la norme NMB-003 du Canada.



**Recycle Auskunft**

Die Rücknahme dieses Produktes nach Nutzungsende übernimmt EIZO in Deutschland zusammen mit dem Partner von Roll MBB Recycling GmbH. Dort werden die Geräte in ihre Bestandteile zerlegt, die dann der Wiederverwertung zugeführt werden. Um einen Abholtermin zu vereinbaren und die aktuellen Kosten zu erfahren, benutzen Sie bitte folgende Rufnummer: 02153-73 35 00. Weitere Informationen finden Sie auch unter der Internet-Adresse: [www.eizo.de](http://www.eizo.de).

**Recycling Information for customers in Switzerland:**

All recycling information is placed in the SWICO's website.  
<http://www.swico.ch>

**Recycling-Information für Kunden in der Schweiz:**

Alle Informationen zum Thema Recycling finden Sie auf der Homepage des Branchenverbandes SWICO.  
<http://www.swico.ch>

**Renseignements de recyclage pour les clients en Suisse:**

Vous trouvez tous les renseignements pour le sujet de recyclage sur la page WEB de l'UNION DE BRAN CHE SWICO.  
<http://www.eizo.com/cotact/index.html>

**Recycling Information for customers in USA:**

All recycling information is placed in the EIZO Nanao Technologies, Inc's website.  
<http://www.eizo.com/contact/index.html>

**Återvinnings information för kunder i Sverige:**

All information om återvinning finns på Eizo Nordics hemsida:  
[www.eizo.se](http://www.eizo.se)

## Free Manuals Download Website

<http://myh66.com>

<http://usermanuals.us>

<http://www.somanuals.com>

<http://www.4manuals.cc>

<http://www.manual-lib.com>

<http://www.404manual.com>

<http://www.luxmanual.com>

<http://aubethermostatmanual.com>

Golf course search by state

<http://golfingnear.com>

Email search by domain

<http://emailbydomain.com>

Auto manuals search

<http://auto.somanuals.com>

TV manuals search

<http://tv.somanuals.com>