



*Quality  
on Display*

## eClient<sup>®</sup> SC1 & SX1

**STAND TYPE  
WINDOWS-BASED  
TERMINALS**

# Flexible Network Support

EIZO introduces two new models in its eClient series of WBTs, designed for business, healthcare, retail and other users desiring greater flexibility, security and expandability. Both the SC1 and SX1 feature a space-efficient design that allows mounting of almost any LCD monitor built to the VESA standard. They provide a choice of operating systems — Windows CE .NET 4.2 with the SC1 or Windows XP Embedded with the SX1 — as well as support for the latest versions of the Microsoft RDP and Citrix ICA protocols. When running applications from Windows Server 2003, they output 24-bit color images. They also offer a DVI-I output and a full complement of connectors, including a PCMCIA port. EIZO's Network Administrator 3 software allows extensive server side control over each eClient and can be downloaded free of charge.



### **WIDE MONITOR COMPATIBILITY**

Both eClient models allow the mounting of almost any LCD monitor that matches the VESA mounting standard, eliminating the need for separate terminal and monitor units on the desktop. They support resolutions up to 1280 × 1024 and offer three-stage height adjustment and 30° tilt adjustment for flexible positioning. The eClient's power supply is built in and provides power directly to the monitor.

### **CHOICE OF TWO OPERATING SYSTEMS**

The eClient SC1 utilizes the Windows CE .NET 4.2 operating system, ideal for systems running applications only on the server. The SX1 comes with Windows XP Embedded, giving you the additional flexibility of running applications locally as well. Both OS include a built-in Internet Explorer browser.

### **EXTENSIVE CONNECTIONS**

The eClient SC1 and SX1 come equipped with a wide range of connectors: 10Base-T/100Base-TX Ethernet connector for smooth communication with the terminal server, serial and parallel ports, PS/2 ports for the keyboard and mouse, a PCMCIA Type II slot, and two USB downstream ports for additional peripherals.

# eClient® SC1 & SX1

## STAND TYPE WINDOWS-BASED TERMINALS



### Additional Features

#### DVI-I FLEXIBILITY

The eClient SC1 and SX1 are the first standalone WBTs to offer a DVI-I output terminal. This provides connectivity with monitors having either digital or analog inputs.

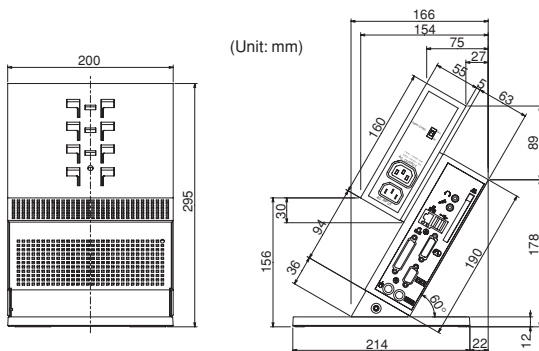
#### SECONDARY POWER SWITCH

Both models include a secondary power switch (wired) as standard equipment, making it easy to turn them on and off when stowed away under the desk or out of reach.

#### NETWORK ADMINISTRATOR 3

This software allows quick, easy management of each eClient terminal in a network directly from a host server. You can use it to configure and update client settings, specify or change client IP addresses, and update firmware. A scheduling function enables system administrators to set the date and time for power on/off, configuration updates and individual or group terminal maintenance. With select EIZO monitors, it also provides other functions such as accessing the serial number and powering the monitor on and off. Network Administrator 3 can be downloaded from [eclient.eizo.com](http://eclient.eizo.com) free of charge.

### Dimensions



### Specifications

CPU	800 MHz
RAM / ROM Memory	SC1: 128 / 32 MB, SX1: 256 / 256 MB
Operating Systems	SC1: Microsoft Windows CE. NET 4.2 SX1: Microsoft Windows XP Embedded with SP1
Bundled Software	SC1 / SX1: Citrix ICA Client 7.0 or later SC1: Internet Explorer for Windows CE SX1: Internet Explorer 6.0, JavaVM - Sun Microsystems Java Runtime Environment Version 1.4.2
Server OS Support	Microsoft Windows 2000 Server / Advanced Server / Datacenter Server, Microsoft Windows Server 2003 / Standard Edition / Enterprise Edition / Datacenter Edition, Citrix MetaFrame
Communications Protocols	Microsoft RDP, Citrix ICA
Transport Protocol	TCP/IP with DNS, DHCP, and PPP
Parallel Port	D-Sub 25 pin
Serial Port	D-Sub 9 pin
Network Port	10 BASE-T / 100 BASE-TX Ethernet (RJ-45) Wake On LAN supported
PCMCIA Port	SC1: Type-II SX1: Type-II (CardBus supported)
USB Ports / Standards	Downstream × 2 / SC1: Rev. 1.1, SX1 Rev. 2.0
Signal Output	DVI-I 29 pin (analog / digital)
Supported Resolutions	1280 × 1024, 1024 × 768, 800 × 600, 640 × 480*
PS/2 Ports	For keyboard and mouse
Audio Terminals	Headphone jack, microphone jack
Available Cabinet Colors	Gray, Black
Dimensions (W × H × D)	200 × 295 × 236 mm
Weight	With attachable tilt piece: 3.9 kg Without attachable tilt piece: 3.4 kg
Tilt Angle	30° Up, 0° Down
Power Requirements	AC 100 - 120 V, 200 - 240 V: 50 / 60 Hz
Power Consumption	Less than 45 W
Power Save Mode	Less than 3 W
Certifications and Standards	TÜV/GS, CB, UL (cTÜVus), CSA (cTÜVus), CE, FCC-A, Canadian ICES-003-A, VCCI-A
Supplied Accessories	AC power cord, user's manual, PS/2 mouse, secondary power switch, attachable tilt piece, outlet power cord (for monitor), signal cable (DVI-I - DVI-I)
Warranty	Three Years

\* 640 × 480 supported by the eClient SC1 only.

Specifications are subject to change without notice.

Published on chlorine-free paper.

Copyright 2004 Eizo Nanao Corporation. All rights reserved. All product names are trademarks or registered trademarks of their respective companies. EIZO and eClient are registered trademarks of Eizo Nanao Corporation.

(0403a) Printed in Japan, 3, 2004, 0.8K

#### EIZO NANA O CORPORATION

153 Shimokashiwano, Matto, Ishikawa 924-8566 Japan

Phone: +81-76-277-6792 Fax: +81-76-277-6793

[eclient.eizo.co.jp](http://eclient.eizo.co.jp)



## Free Manuals Download Website

<http://myh66.com>

<http://usermanuals.us>

<http://www.somanuals.com>

<http://www.4manuals.cc>

<http://www.manual-lib.com>

<http://www.404manual.com>

<http://www.luxmanual.com>

<http://aubethermostatmanual.com>

Golf course search by state

<http://golfingnear.com>

Email search by domain

<http://emailbydomain.com>

Auto manuals search

<http://auto.somanuals.com>

TV manuals search

<http://tv.somanuals.com>